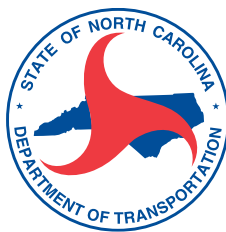


APPENDIX E:
BRIDGE INSPECTION REPORT —
THREE RIVERS BRIDGE

THE BRITE BRIDGES:
Bridging Resources for Infrastructure and Thriving
Economies Project





NC DEPARTMENT OF TRANSPORTATION
 DIVISION OF HIGHWAYS
 STRUCTURE MANAGEMENT UNIT

ATTENTION: **PRIORITY ACTION REQUEST, SNOOPER USED,
 APPROACH ROADWAY SKETCH REVISED**

NOT TEMPORARY SHORED -dns

Structure Safety Report

Routine Element Inspection - Contract

INSPECTION DATE: 03/03/2022

DIVISION: 1 COUNTY: BERTIE STRUCTURE NUMBER: 070007 FREQUENCY: 24 MONTHS

FACILITY CARRIED: NC45, NC308 MILE POST: _____

LOCATION: 1.5 MI.S. OF JCT.NC308

FEATURE INTERSECTED: ROANOKE;MIDDLE;CASHIE RIV

LATITUDE: 35° 54' 50.84" LONGITUDE: 76° 43' 18.59"

SUPERSTRUCTURE: REINF.CONC. DECK ON PRESTR.CONC.GDRS.&CONT.PLATE GDRS.

SUBSTRUCTURE: EBT&BT:35-94:RC CAP/PPC.PILE;BT1-34:RCP&B/PILE FTG.

SPANS: 95 SPANS. SEE SPAN PROFILE SHEET FOR SPAN DETAILS

FRACTURE CRITICAL TEMPORARY SHORING SCOUR CRITICAL SCOUR PLAN OF ACTION

GRADES: (Inspector/NBI Coding) DECK 6 / 6 SUPERSTRUCTURE 5 / 5 SUBSTRUCTURE 4 / 4 CULVERT N / N

POSTED SV: Not Posted POSTED TTST: Not Posted

OTHER SIGNS PRESENT: NONE



Sign noticed issued for	Number Required
<u>NO</u> WEIGHT LIMIT	<u>0</u>
<u>NO</u> DELINEATORS	<u>0</u>
<u>NO</u> NARROW BRIDGE	<u>0</u>
<u>NO</u> ONE LANE BRIDGE	<u>0</u>
<u>NO</u> LOW CLEARANCE	<u>0</u>

DIRECTION OF INSPECTION S-N

DIRECTION MATCHES PLANS _____

SOUTH APPROACH

INSPECTED BY MATTHEW T. CORNWELL, PE	SIGNATURE <i>Matthew T. Cornwall</i>	ASSISTED BY JWD, LAB, DLR
---	---	------------------------------

IDENTIFICATION

(1) STATE NAME	NORTH CAROLINA	BRIDGE	070007
(8) STRUCTURE NUMBER (FEDERAL)			0150007
(5) INVENTORY ROUTE (ON/UNDER) ON			131000450
(2) STATE HIGHWAY DEPARTMENT DISTRICT			1
(3) COUNTY CODE (FEDERAL)	15	(4) PLACE CODE	00000
(6) FEATURE INTERSECTED	ROANOKE;MIDDLE;CASHIE RIV		
(7) FACILITY CARRIED	NC45, NC308		
(9) LOCATION	1.5 MI.S. OF JCT.NC308		
(11) MILEPOINT			0.0
(12) BASE HIGHWAY NETWORK			0
(13) LRS INVENTORY ROUTE & SUBROUTE			
(16) LATITUDE	35° 54' 50.84"	(17) LONGITUDE	76° 43' 18.59"
(98) BORDER BRIDGE STATE CODE		PERCENT SHARED	
(99) BORDER BRIDGE STRUCTURE NUMBER			

SUFFICIENCY RATING		24.00
STATUS =		Structurally Deficient
CLASSIFICATION		CODE
(112) NBIS BRIDGE SYSTEM		YES
(104) HIGHWAY SYSTEM	Inventory Route not on NHS	0
(26) FUNCTIONAL CLASS	Rural Major Collector	07
(100) STRAHNET HIGHWAY	Not a STRAHNET Route	0
(101) PARALLEL STRUCTURE	No parallel structure exists	N
(102) DIRECTION OF TRAFFIC	2-way traffic	2
(103) TEMPORARY STRUCTURE	Temporary Structure or Conditions	T ⁰
(110) DESIGNATED NATIONAL NETWORK	on national network for trucks	1
(20) TOLL	On Free Road	3
(21) MAINT -		01
(22) OWNER -		01
(37) HISTORICAL SIGNIFICANCE -		5

STRUCTURE TYPE AND MATERIAL

(43) STRUCTURE TYPE MAIN		Steel Continuous	
TYPE	Stringer/Multi-beam or girder	CODE	402
(44) STRUCTURE TYPE APPROACH		Prestressed Concrete	
TYPE	Stringer/Multi-beam or girder	CODE	502
(45) NUMBER OF SPANS IN MAIN UNIT			3
(46) NUMBER OF SPANS IN APPROACH			92
(107) DECK STRUCTURE TYPE		CODE	1
(108)WEARING SURFACE/PROTECTIVE SYSTEM			
(A) TYPE OF WEARING SURFACE		CODE	1
(B) TYPE OF MEMBRANE		CODE	0
(C) TYPE OF DECK PROTECTION		CODE	0

CONDITION		CODE
(58) DECK		6
(59) SUPERSTRUCTURE		5
(60) SUBSTRUCTURE		3 ⁴
(61) CHANNEL & CHANNEL PROTECTION		7
(62) CULVERTS		N

LOAD RATING AND POSTING

LOAD RATING AND POSTING		CODE
(31) DESIGN LOAD	H 20 + Mod	6
(63) OPERATING RATING METHOD -	Load Factor	1
(64) OPERATING RATING -	HS-55	99
(65) INVENTORY RATING METHOD -		1
(66) INVENTORY RATING	HS-26	47
(70) BRIDGE POSTING	No Posting Required	5
(41) STRUCTURE OPEN, POSTED, OR CLOSED		D
DESCRIPTION	Open, would be posted or closed except for temporary shoring	

AGE AND SERVICE

(27) YEAR BUILT			1968
(106) YEAR RECONSTRUCTED			0
(42) TYPE OF SERVICE ON -		Highway	
OFF -		Waterway	CODE 15
(28) LANES ON STRUCTURE	2	LANES UNDER STRUCTURE	0
(29) AVERAGE DAILY TRAFFIC			4000
(30) YEAR OF ADT	2019	(109) TRUCK ADT PCT	7
(19) BYPASS OR DETOUR LENGTH			50.0

APPRAISAL

APPRAISAL		CODE
(67) STRUCTURAL EVALUATION		3
(68) DECK GEOMETRY		4
(69) UNDERCLEARANCES, VERT & HORIZ		N
(71) WATERWAY ADEQUACY		7
(72) APPROACH ROADWAY ALIGNMENT		8
(36) TRAFFIC SAFETY FEATURES		0000
(113) SCOUR CRITICAL BRIDGES		5

GEOMETRIC DATA

(48) LENGTH OF MAXIMUM SPAN			120.0
(49) STRUCTURE LENGTH			5841.0
(50) CURB OR SIDEWALK: LEFT	1.6	RIGHT	1.6
(51) BRIDGE ROADWAY WIDTH, CURB TO CURB			28.0
(52) DECK WIDTH OUT TO OUT			33.7
(32) APPROACH ROADWAY WITH (W/ SHOULDERS)			27.0
(33) BRIDGE MEDIAN		No median	CODE 0
(34) SKEW	0	(35) STRUCTURE FLARED	0
(10) INVENTORY ROUTE MIN VERT CLEAR			999.9
(47) INVENTORY ROUTE TOTAL HORIZ CLEAR			28.0
(53) MIN VERT CLEAR OVER BRIDGE RDWY			999.9
(54) MIN VERT UNDERCLEAR: REFERENCE			0.0
(55) MIN LAT UNDERCLEARANCE RT: REFERENCE		N	0.0
(56) MIN LAT UNDERCLEARANCE LT:			0.0

PROPOSED IMPROVEMENTS

PROPOSED IMPROVEMENTS		CODE	
(75) TYPE OF WORK			
(76) LENGTH OF STRUCTURE IMPROVEMENT			
(94) BRIDGE IMPROVEMENT COST			
(95) ROADWAY IMPROVEMENT COST			
(96) TOTAL PROJECT COST			
(97) YEAR OF IMPROVEMENT COST ESTIMATE			
(114) FUTURE ADT	8,000	YEAR OF FUTURE ADT	2040

NAVIGATION DATA

(38) NAVIGATION CONTROL -		CODE	1
(111) PIER PROTECTION	In place and functioning	CODE	2
(39) NAVIGATION VERTICAL CLEARANCE			49.0
(116) VERT - LIFT BRIDGE NAV MIN VERT CLEAR			0.0
(40) NAVIGATION HORIZONTAL CLEARANCE			80.0

INSPECTION

(90) INSPECTION DATE	03/22	(91) FREQUENCY	24
(92) CRITICAL FEATURE INSPECTION		(93) CFI DATE	
A) FRACTURE CRIT DETAIL		A)	
B) UNDERWATER INSP	60	B)	06/21
C) OTHER SPECIAL INSP		C)	

SCOUR

Superstructure Build Details

Span Number 1

Span Length 60.6700

Skew 90.0000

Number of Items	Type of Component	Element Name	Quantity	Protective System Applied	Quantity (Sq Ft)
2	Concrete and Metal Railing	Other Bridge Railing	122 Feet	Galvanized Protective System	244
14	Fixed Bearing	Fixed Bearing	14 Each	Organic Zinc Primer with Acrylic Topcoat	26
1	Reinforced Concrete Deck	Reinforced Concrete Deck	2046 Square Feet		
4	Prestressed Concrete Girder	Prestressed Concrete Open Girder/Beam	240 Feet		

Span Number 2

Span Length 60.0000

Skew 90.0000

Number of Items	Type of Component	Element Name	Quantity	Protective System Applied	Quantity (Sq Ft)
8	Fixed Bearing	Fixed Bearing	8 Each	Organic Zinc Primer with Acrylic Topcoat	16
1	Reinforced Concrete Deck	Reinforced Concrete Deck	2023 Square Feet		
1	Standard Joint	Pourable Joint Seal	34 Feet		
4	Prestressed Concrete Girder	Prestressed Concrete Open Girder/Beam	240 Feet		
2	Concrete and Metal Railing	Other Bridge Railing	120 Feet	Galvanized Protective System	240

Span Number 3

Span Length 60.0000

Skew 90.0000

Number of Items	Type of Component	Element Name	Quantity	Protective System Applied	Quantity (Sq Ft)
2	Concrete and Metal Railing	Other Bridge Railing	120 Feet	Galvanized Protective System	240
8	Fixed Bearing	Fixed Bearing	8 Each	Organic Zinc Primer with Acrylic Topcoat	16
4	Prestressed Concrete Girder	Prestressed Concrete Open Girder/Beam	240 Feet		
1	Standard Joint	Pourable Joint Seal	34 Feet		
1	Reinforced Concrete Deck	Reinforced Concrete Deck	2023 Square Feet		

Span Number 4

Span Length 60.0000

Skew 90.0000

Number of Items	Type of Component	Element Name	Quantity	Protective System Applied	Quantity (Sq Ft)
1	Reinforced Concrete Deck	Reinforced Concrete Deck	2023 Square Feet		
8	Fixed Bearing	Fixed Bearing	8 Each	Organic Zinc Primer with Acrylic Topcoat	16

Superstructure Build Details

4	Prestressed Concrete Girder	Prestressed Concrete Open Girder/Beam	240 Feet		
1	Standard Joint	Pourable Joint Seal	34 Feet		
2	Concrete and Metal Railing	Other Bridge Railing	120 Feet	Galvanized Protective System	240

Span Number 5

Span Length 60.0000

Skew 90.0000

Number of Items	Type of Component	Element Name	Quantity	Protective System Applied	Quantity (Sq Ft)
2	Concrete and Metal Railing	Other Bridge Railing	120 Feet	Galvanized Protective System	240
8	Fixed Bearing	Fixed Bearing	8 Each	Organic Zinc Primer with Acrylic Topcoat	16
4	Prestressed Concrete Girder	Prestressed Concrete Open Girder/Beam	240 Feet		
1	Reinforced Concrete Deck	Reinforced Concrete Deck	2023 Square Feet		
1	Standard Joint	Pourable Joint Seal	34 Feet		

Span Number 6

Span Length 60.0000

Skew 90.0000

Number of Items	Type of Component	Element Name	Quantity	Protective System Applied	Quantity (Sq Ft)
1	Standard Joint	Pourable Joint Seal	34 Feet		
8	Fixed Bearing	Fixed Bearing	8 Each	Organic Zinc Primer with Acrylic Topcoat	16
4	Prestressed Concrete Girder	Prestressed Concrete Open Girder/Beam	240 Feet		
2	Concrete and Metal Railing	Other Bridge Railing	120 Feet	Galvanized Protective System	240
1	Reinforced Concrete Deck	Reinforced Concrete Deck	2023 Square Feet		

Span Number 7

Span Length 60.0000

Skew 90.0000

Number of Items	Type of Component	Element Name	Quantity	Protective System Applied	Quantity (Sq Ft)
1	Standard Joint	Pourable Joint Seal	34 Feet		
2	Concrete and Metal Railing	Other Bridge Railing	120 Feet	Galvanized Protective System	240
8	Fixed Bearing	Fixed Bearing	8 Each	Organic Zinc Primer with Acrylic Topcoat	16
4	Prestressed Concrete Girder	Prestressed Concrete Open Girder/Beam	240 Feet		

Superstructure Build Details

1	Reinforced Concrete Deck	Reinforced Concrete Deck	2023 Square Feet	
---	--------------------------	--------------------------	------------------	--

Span Number 8 Span Length 60.0000 Skew 90.0000

Number of Items	Type of Component	Element Name	Quantity	Protective System Applied	Quantity (Sq Ft)
8	Fixed Bearing	Fixed Bearing	8 Each	Organic Zinc Primer with Acrylic Topcoat	16
2	Concrete and Metal Railing	Other Bridge Railing	120 Feet	Galvanized Protective System	240
4	Prestressed Concrete Girder	Prestressed Concrete Open Girder/Beam	240 Feet		
1	Reinforced Concrete Deck	Reinforced Concrete Deck	2023 Square Feet		
1	Standard Joint	Pourable Joint Seal	34 Feet		

Span Number 9 Span Length 60.0000 Skew 90.0000

Number of Items	Type of Component	Element Name	Quantity	Protective System Applied	Quantity (Sq Ft)
2	Concrete and Metal Railing	Other Bridge Railing	120 Feet	Galvanized Protective System	240
1	Reinforced Concrete Deck	Reinforced Concrete Deck	2023 Square Feet		
1	Standard Joint	Pourable Joint Seal	34 Feet		
8	Fixed Bearing	Fixed Bearing	8 Each	Organic Zinc Primer with Acrylic Topcoat	16
4	Prestressed Concrete Girder	Prestressed Concrete Open Girder/Beam	240 Feet		

Span Number 10 Span Length 60.0000 Skew 90.0000

Number of Items	Type of Component	Element Name	Quantity	Protective System Applied	Quantity (Sq Ft)
4	Prestressed Concrete Girder	Prestressed Concrete Open Girder/Beam	240 Feet		
1	Reinforced Concrete Deck	Reinforced Concrete Deck	2023 Square Feet		
1	Standard Joint	Pourable Joint Seal	34 Feet		
2	Concrete and Metal Railing	Other Bridge Railing	120 Feet	Galvanized Protective System	240
8	Fixed Bearing	Fixed Bearing	8 Each	Organic Zinc Primer with Acrylic Topcoat	16

Span Number 11 Span Length 60.0000 Skew 90.0000

Superstructure Build Details

Number of Items	Type of Component	Element Name	Quantity	Protective System Applied	Quantity (Sq Ft)
8	Fixed Bearing	Fixed Bearing	8 Each	Organic Zinc Primer with Acrylic Topcoat	16
4	Prestressed Concrete Girder	Prestressed Concrete Open Girder/Beam	240 Feet		
1	Reinforced Concrete Deck	Reinforced Concrete Deck	2023 Square Feet		
1	Standard Joint	Pourable Joint Seal	34 Feet		
2	Concrete and Metal Railing	Other Bridge Railing	120 Feet	Galvanized Protective System	240

Span Number 12

Span Length 60.0000

Skew 90.0000

Number of Items	Type of Component	Element Name	Quantity	Protective System Applied	Quantity (Sq Ft)
2	Concrete and Metal Railing	Other Bridge Railing	120 Feet	Galvanized Protective System	240
8	Fixed Bearing	Fixed Bearing	8 Each	Organic Zinc Primer with Acrylic Topcoat	16
4	Prestressed Concrete Girder	Prestressed Concrete Open Girder/Beam	240 Feet		
1	Reinforced Concrete Deck	Reinforced Concrete Deck	2023 Square Feet		
1	Standard Joint	Pourable Joint Seal	34 Feet		

Span Number 13

Span Length 60.0000

Skew 90.0000

Number of Items	Type of Component	Element Name	Quantity	Protective System Applied	Quantity (Sq Ft)
1	Reinforced Concrete Deck	Reinforced Concrete Deck	2023 Square Feet		
1	Standard Joint	Pourable Joint Seal	34 Feet		
8	Fixed Bearing	Fixed Bearing	8 Each	Organic Zinc Primer with Acrylic Topcoat	16
4	Prestressed Concrete Girder	Prestressed Concrete Open Girder/Beam	240 Feet		
2	Concrete and Metal Railing	Other Bridge Railing	120 Feet	Galvanized Protective System	240

Span Number 14

Span Length 60.0000

Skew 90.0000

Number of Items	Type of Component	Element Name	Quantity	Protective System Applied	Quantity (Sq Ft)
1	Reinforced Concrete Deck	Reinforced Concrete Deck	2023 Square Feet		
4	Prestressed Concrete Girder	Prestressed Concrete Open Girder/Beam	240 Feet		

Superstructure Build Details

2	Concrete and Metal Railing	Other Bridge Railing	120 Feet	Galvanized Protective System	240
1	Standard Joint	Pourable Joint Seal	34 Feet		
8	Fixed Bearing	Fixed Bearing	8 Each	Organic Zinc Primer with Acrylic Topcoat	16

Span Number 15

Span Length 60.0000

Skew 90.0000

Number of Items	Type of Component	Element Name	Quantity	Protective System Applied	Quantity (Sq Ft)
8	Fixed Bearing	Fixed Bearing	8 Each	Organic Zinc Primer with Acrylic Topcoat	16
1	Reinforced Concrete Deck	Reinforced Concrete Deck	2023 Square Feet		
1	Standard Joint	Pourable Joint Seal	34 Feet		
4	Prestressed Concrete Girder	Prestressed Concrete Open Girder/Beam	240 Feet		
2	Concrete and Metal Railing	Other Bridge Railing	120 Feet	Galvanized Protective System	240

Span Number 16

Span Length 60.0000

Skew 90.0000

Number of Items	Type of Component	Element Name	Quantity	Protective System Applied	Quantity (Sq Ft)
8	Fixed Bearing	Fixed Bearing	8 Each	Organic Zinc Primer with Acrylic Topcoat	16
4	Prestressed Concrete Girder	Prestressed Concrete Open Girder/Beam	240 Feet		
1	Reinforced Concrete Deck	Reinforced Concrete Deck	2023 Square Feet		
1	Standard Joint	Pourable Joint Seal	34 Feet		
2	Concrete and Metal Railing	Other Bridge Railing	120 Feet	Galvanized Protective System	240

Span Number 17

Span Length 100.0000

Skew 90.0000

Number of Items	Type of Component	Element Name	Quantity	Protective System Applied	Quantity (Sq Ft)
1	Reinforced Concrete Deck	Reinforced Concrete Deck	3371 Square Feet		
1	Standard Joint	Pourable Joint Seal	34 Feet		
2	Concrete and Metal Railing	Other Bridge Railing	200 Feet	Galvanized Protective System	400
5	Fixed Bearing	Fixed Bearing	5 Each	Organic Zinc Primer with Acrylic Topcoat	10

Superstructure Build Details

3	Other Bearing	Other Bearings	3 Each		
11	Other Bearing	Other Bearings	11 Each	Organic Zinc Primer with Acrylic Topcoat	22
4	Plate Girder	Steel Open Girder/Beam	1280 Feet	Organic Zinc Primer with Acrylic Topcoat	20144

Span Number 18 Span Length 120.0000 Skew 90.0000

Number of Items	Type of Component	Element Name	Quantity	Protective System Applied	Quantity (Sq Ft)
1	Reinforced Concrete Deck	Reinforced Concrete Deck	4045 Square Feet		
2	Concrete and Metal Railing	Other Bridge Railing	240 Feet	Galvanized Protective System	480

Span Number 19 Span Length 100.0000 Skew 90.0000

Number of Items	Type of Component	Element Name	Quantity	Protective System Applied	Quantity (Sq Ft)
1	Reinforced Concrete Deck	Reinforced Concrete Deck	3371 Square Feet		
2	Concrete and Metal Railing	Other Bridge Railing	200 Feet	Galvanized Protective System	400

Span Number 20 Span Length 60.0000 Skew 90.0000

Number of Items	Type of Component	Element Name	Quantity	Protective System Applied	Quantity (Sq Ft)
1	Reinforced Concrete Deck	Reinforced Concrete Deck	2023 Square Feet		
1	Standard Joint	Pourable Joint Seal	34 Feet		
4	Prestressed Concrete Girder	Prestressed Concrete Open Girder/Beam	240 Feet		
8	Fixed Bearing	Fixed Bearing	8 Each	Organic Zinc Primer with Acrylic Topcoat	16
2	Concrete and Metal Railing	Other Bridge Railing	120 Feet	Galvanized Protective System	240

Span Number 21 Span Length 60.0000 Skew 90.0000

Number of Items	Type of Component	Element Name	Quantity	Protective System Applied	Quantity (Sq Ft)
1	Standard Joint	Pourable Joint Seal	34 Feet		
8	Fixed Bearing	Fixed Bearing	8 Each	Organic Zinc Primer with Acrylic Topcoat	16
4	Prestressed Concrete Girder	Prestressed Concrete Open Girder/Beam	240 Feet		

Superstructure Build Details

1	Reinforced Concrete Deck	Reinforced Concrete Deck	2023 Square Feet		
2	Concrete and Metal Railing	Other Bridge Railing	120 Feet	Galvanized Protective System	240

Span Number 22 Span Length 60.0000 Skew 90.0000

Number of Items	Type of Component	Element Name	Quantity	Protective System Applied	Quantity (Sq Ft)
1	Standard Joint	Pourable Joint Seal	34 Feet		
2	Concrete and Metal Railing	Other Bridge Railing	120 Feet	Galvanized Protective System	240
1	Reinforced Concrete Deck	Reinforced Concrete Deck	2023 Square Feet		
8	Fixed Bearing	Fixed Bearing	8 Each	Organic Zinc Primer with Acrylic Topcoat	16
4	Prestressed Concrete Girder	Prestressed Concrete Open Girder/Beam	240 Feet		

Span Number 23 Span Length 60.0000 Skew 90.0000

Number of Items	Type of Component	Element Name	Quantity	Protective System Applied	Quantity (Sq Ft)
1	Reinforced Concrete Deck	Reinforced Concrete Deck	2023 Square Feet		
1	Standard Joint	Pourable Joint Seal	34 Feet		
8	Fixed Bearing	Fixed Bearing	8 Each	Organic Zinc Primer with Acrylic Topcoat	16
4	Prestressed Concrete Girder	Prestressed Concrete Open Girder/Beam	240 Feet		
2	Concrete and Metal Railing	Other Bridge Railing	120 Feet	Galvanized Protective System	240

Span Number 24 Span Length 60.0000 Skew 90.0000

Number of Items	Type of Component	Element Name	Quantity	Protective System Applied	Quantity (Sq Ft)
2	Concrete and Metal Railing	Other Bridge Railing	120 Feet	Galvanized Protective System	240
1	Reinforced Concrete Deck	Reinforced Concrete Deck	2023 Square Feet		
8	Fixed Bearing	Fixed Bearing	8 Each	Organic Zinc Primer with Acrylic Topcoat	16
4	Prestressed Concrete Girder	Prestressed Concrete Open Girder/Beam	240 Feet		
1	Standard Joint	Pourable Joint Seal	34 Feet		

Span Number 25 Span Length 60.0000 Skew 90.0000

Superstructure Build Details

Number of Items	Type of Component	Element Name	Quantity	Protective System Applied	Quantity (Sq Ft)
1	Reinforced Concrete Deck	Reinforced Concrete Deck	2023 Square Feet		
8	Fixed Bearing	Fixed Bearing	8 Each	Organic Zinc Primer with Acrylic Topcoat	16
4	Prestressed Concrete Girder	Prestressed Concrete Open Girder/Beam	240 Feet		
1	Standard Joint	Pourable Joint Seal	34 Feet		
2	Concrete and Metal Railing	Other Bridge Railing	120 Feet	Galvanized Protective System	240

Span Number 26

Span Length 60.0000

Skew 90.0000

Number of Items	Type of Component	Element Name	Quantity	Protective System Applied	Quantity (Sq Ft)
8	Fixed Bearing	Fixed Bearing	8 Each	Organic Zinc Primer with Acrylic Topcoat	16
1	Standard Joint	Pourable Joint Seal	34 Feet		
4	Prestressed Concrete Girder	Prestressed Concrete Open Girder/Beam	240 Feet		
1	Reinforced Concrete Deck	Reinforced Concrete Deck	2023 Square Feet		
2	Concrete and Metal Railing	Other Bridge Railing	120 Feet	Galvanized Protective System	240

Span Number 27

Span Length 60.0000

Skew 90.0000

Number of Items	Type of Component	Element Name	Quantity	Protective System Applied	Quantity (Sq Ft)
8	Fixed Bearing	Fixed Bearing	8 Each	Organic Zinc Primer with Acrylic Topcoat	16
4	Prestressed Concrete Girder	Prestressed Concrete Open Girder/Beam	240 Feet		
1	Standard Joint	Pourable Joint Seal	34 Feet		
2	Concrete and Metal Railing	Other Bridge Railing	120 Feet	Galvanized Protective System	240
1	Reinforced Concrete Deck	Reinforced Concrete Deck	2023 Square Feet		

Span Number 28

Span Length 60.0000

Skew 90.0000

Number of Items	Type of Component	Element Name	Quantity	Protective System Applied	Quantity (Sq Ft)
8	Fixed Bearing	Fixed Bearing	8 Each	Organic Zinc Primer with Acrylic Topcoat	16

Superstructure Build Details

2	Concrete and Metal Railing	Other Bridge Railing	120 Feet	Galvanized Protective System	240
1	Reinforced Concrete Deck	Reinforced Concrete Deck	2023 Square Feet		
1	Standard Joint	Pourable Joint Seal	34 Feet		
4	Prestressed Concrete Girder	Prestressed Concrete Open Girder/Beam	240 Feet		

Span Number 29

Span Length 60.0000

Skew 90.0000

Number of Items	Type of Component	Element Name	Quantity	Protective System Applied	Quantity (Sq Ft)
4	Prestressed Concrete Girder	Prestressed Concrete Open Girder/Beam	240 Feet		
1	Reinforced Concrete Deck	Reinforced Concrete Deck	2023 Square Feet		
1	Standard Joint	Pourable Joint Seal	34 Feet		
2	Concrete and Metal Railing	Other Bridge Railing	120 Feet	Galvanized Protective System	240
8	Fixed Bearing	Fixed Bearing	8 Each	Organic Zinc Primer with Acrylic Topcoat	16

Span Number 30

Span Length 60.0000

Skew 90.0000

Number of Items	Type of Component	Element Name	Quantity	Protective System Applied	Quantity (Sq Ft)
2	Concrete and Metal Railing	Other Bridge Railing	120 Feet	Galvanized Protective System	240
8	Fixed Bearing	Fixed Bearing	8 Each	Organic Zinc Primer with Acrylic Topcoat	16
1	Reinforced Concrete Deck	Reinforced Concrete Deck	2023 Square Feet		
4	Prestressed Concrete Girder	Prestressed Concrete Open Girder/Beam	240 Feet		
1	Standard Joint	Pourable Joint Seal	34 Feet		

Span Number 31

Span Length 60.0000

Skew 90.0000

Number of Items	Type of Component	Element Name	Quantity	Protective System Applied	Quantity (Sq Ft)
1	Reinforced Concrete Deck	Reinforced Concrete Deck	2023 Square Feet		
1	Standard Joint	Pourable Joint Seal	34 Feet		
2	Concrete and Metal Railing	Other Bridge Railing	120 Feet	Galvanized Protective System	240

Superstructure Build Details

4	Prestressed Concrete Girder	Prestressed Concrete Open Girder/Beam	240	Feet		
8	Fixed Bearing	Fixed Bearing	8	Each	Organic Zinc Primer with Acrylic Topcoat	16

Span Number 32 Span Length 60.0000 Skew 90.0000

Number of Items	Type of Component	Element Name	Quantity		Protective System Applied	Quantity (Sq Ft)
1	Reinforced Concrete Deck	Reinforced Concrete Deck	2023	Square Feet		
2	Concrete and Metal Railing	Other Bridge Railing	120	Feet	Galvanized Protective System	240
8	Fixed Bearing	Fixed Bearing	8	Each	Organic Zinc Primer with Acrylic Topcoat	16
4	Prestressed Concrete Girder	Prestressed Concrete Open Girder/Beam	240	Feet		
1	Standard Joint	Pourable Joint Seal	34	Feet		

Span Number 33 Span Length 60.0000 Skew 90.0000

Number of Items	Type of Component	Element Name	Quantity		Protective System Applied	Quantity (Sq Ft)
2	Concrete and Metal Railing	Other Bridge Railing	120	Feet	Galvanized Protective System	240
1	Standard Joint	Pourable Joint Seal	34	Feet		
8	Fixed Bearing	Fixed Bearing	8	Each	Organic Zinc Primer with Acrylic Topcoat	16
4	Prestressed Concrete Girder	Prestressed Concrete Open Girder/Beam	240	Feet		
1	Reinforced Concrete Deck	Reinforced Concrete Deck	2023	Square Feet		

Span Number 34 Span Length 60.0000 Skew 90.0000

Number of Items	Type of Component	Element Name	Quantity		Protective System Applied	Quantity (Sq Ft)
8	Fixed Bearing	Fixed Bearing	8	Each	Organic Zinc Primer with Acrylic Topcoat	16
1	Reinforced Concrete Deck	Reinforced Concrete Deck	2023	Square Feet		
1	Standard Joint	Pourable Joint Seal	34	Feet		
2	Concrete and Metal Railing	Other Bridge Railing	120	Feet	Galvanized Protective System	240
4	Prestressed Concrete Girder	Prestressed Concrete Open Girder/Beam	240	Feet		

Span Number 35 Span Length 60.0000 Skew 90.0000

Superstructure Build Details

Number of Items	Type of Component	Element Name	Quantity	Protective System Applied	Quantity (Sq Ft)
8	Fixed Bearing	Fixed Bearing	8 Each	Organic Zinc Primer with Acrylic Topcoat	16
1	Standard Joint	Pourable Joint Seal	34 Feet		
2	Concrete and Metal Railing	Other Bridge Railing	120 Feet	Galvanized Protective System	240
4	Prestressed Concrete Girder	Prestressed Concrete Open Girder/Beam	240 Feet		
1	Reinforced Concrete Deck	Reinforced Concrete Deck	2023 Square Feet		

Span Number 36

Span Length 60.0000

Skew 90.0000

Number of Items	Type of Component	Element Name	Quantity	Protective System Applied	Quantity (Sq Ft)
2	Concrete and Metal Railing	Other Bridge Railing	120 Feet	Galvanized Protective System	240
8	Fixed Bearing	Fixed Bearing	8 Each	Organic Zinc Primer with Acrylic Topcoat	16
1	Reinforced Concrete Deck	Reinforced Concrete Deck	2023 Square Feet		
1	Standard Joint	Pourable Joint Seal	34 Feet		
4	Prestressed Concrete Girder	Prestressed Concrete Open Girder/Beam	240 Feet		

Span Number 37

Span Length 60.0000

Skew 90.0000

Number of Items	Type of Component	Element Name	Quantity	Protective System Applied	Quantity (Sq Ft)
2	Concrete and Metal Railing	Other Bridge Railing	120 Feet	Galvanized Protective System	240
4	Prestressed Concrete Girder	Prestressed Concrete Open Girder/Beam	240 Feet		
1	Reinforced Concrete Deck	Reinforced Concrete Deck	2023 Square Feet		
8	Fixed Bearing	Fixed Bearing	8 Each	Organic Zinc Primer with Acrylic Topcoat	16
1	Standard Joint	Pourable Joint Seal	34 Feet		

Span Number 38

Span Length 60.0000

Skew 90.0000

Number of Items	Type of Component	Element Name	Quantity	Protective System Applied	Quantity (Sq Ft)
4	Prestressed Concrete Girder	Prestressed Concrete Open Girder/Beam	240 Feet		

Superstructure Build Details

1	Reinforced Concrete Deck	Reinforced Concrete Deck	2023	Square Feet		
1	Standard Joint	Pourable Joint Seal	34	Feet		
8	Fixed Bearing	Fixed Bearing	8	Each	Organic Zinc Primer with Acrylic Topcoat	16
2	Concrete and Metal Railing	Other Bridge Railing	120	Feet	Galvanized Protective System	240

Span Number 39

Span Length 60.0000

Skew 90.0000

Number of Items	Type of Component	Element Name	Quantity		Protective System Applied	Quantity (Sq Ft)
1	Standard Joint	Pourable Joint Seal	34	Feet		
4	Prestressed Concrete Girder	Prestressed Concrete Open Girder/Beam	240	Feet		
2	Concrete and Metal Railing	Other Bridge Railing	120	Feet	Galvanized Protective System	240
1	Reinforced Concrete Deck	Reinforced Concrete Deck	2023	Square Feet		
8	Fixed Bearing	Fixed Bearing	8	Each	Organic Zinc Primer with Acrylic Topcoat	16

Span Number 40

Span Length 60.0000

Skew 90.0000

Number of Items	Type of Component	Element Name	Quantity		Protective System Applied	Quantity (Sq Ft)
2	Concrete and Metal Railing	Other Bridge Railing	120	Feet	Galvanized Protective System	240
8	Fixed Bearing	Fixed Bearing	8	Each	Organic Zinc Primer with Acrylic Topcoat	16
4	Prestressed Concrete Girder	Prestressed Concrete Open Girder/Beam	240	Feet		
1	Standard Joint	Pourable Joint Seal	34	Feet		
1	Reinforced Concrete Deck	Reinforced Concrete Deck	2023	Square Feet		

Span Number 41

Span Length 60.0000

Skew 90.0000

Number of Items	Type of Component	Element Name	Quantity		Protective System Applied	Quantity (Sq Ft)
8	Fixed Bearing	Fixed Bearing	8	Each	Organic Zinc Primer with Acrylic Topcoat	16
4	Prestressed Concrete Girder	Prestressed Concrete Open Girder/Beam	240	Feet		
1	Standard Joint	Pourable Joint Seal	34	Feet		

Superstructure Build Details

1	Reinforced Concrete Deck	Reinforced Concrete Deck	2023	Square Feet		
2	Concrete and Metal Railing	Other Bridge Railing	120	Feet	Galvanized Protective System	240

Span Number 42 Span Length 60.0000 Skew 90.0000

Number of Items	Type of Component	Element Name	Quantity	Protective System Applied	Quantity (Sq Ft)	
2	Concrete and Metal Railing	Other Bridge Railing	120	Feet	Galvanized Protective System	240
8	Fixed Bearing	Fixed Bearing	8	Each	Organic Zinc Primer with Acrylic Topcoat	16
1	Reinforced Concrete Deck	Reinforced Concrete Deck	2022	Square Feet		
1	Standard Joint	Pourable Joint Seal	34	Feet		
4	Prestressed Concrete Girder	Prestressed Concrete Open Girder/Beam	240	Feet		

Span Number 43 Span Length 60.0000 Skew 90.0000

Number of Items	Type of Component	Element Name	Quantity	Protective System Applied	Quantity (Sq Ft)	
8	Fixed Bearing	Fixed Bearing	8	Each	Organic Zinc Primer with Acrylic Topcoat	16
4	Prestressed Concrete Girder	Prestressed Concrete Open Girder/Beam	240	Feet		
2	Concrete and Metal Railing	Other Bridge Railing	120	Feet	Galvanized Protective System	240
1	Reinforced Concrete Deck	Reinforced Concrete Deck	2022	Square Feet		
1	Standard Joint	Pourable Joint Seal	34	Feet		

Span Number 44 Span Length 60.0000 Skew 90.0000

Number of Items	Type of Component	Element Name	Quantity	Protective System Applied	Quantity (Sq Ft)	
1	Reinforced Concrete Deck	Reinforced Concrete Deck	2022	Square Feet		
4	Prestressed Concrete Girder	Prestressed Concrete Open Girder/Beam	240	Feet		
2	Concrete and Metal Railing	Other Bridge Railing	120	Feet	Galvanized Protective System	240
8	Fixed Bearing	Fixed Bearing	8	Each	Organic Zinc Primer with Acrylic Topcoat	16
1	Standard Joint	Pourable Joint Seal	34	Feet		

Span Number 45 Span Length 60.0000 Skew 90.0000

Superstructure Build Details

Number of Items	Type of Component	Element Name	Quantity	Protective System Applied	Quantity (Sq Ft)
8	Fixed Bearing	Fixed Bearing	8 Each	Organic Zinc Primer with Acrylic Topcoat	16
2	Concrete and Metal Railing	Other Bridge Railing	120 Feet	Galvanized Protective System	240
4	Prestressed Concrete Girder	Prestressed Concrete Open Girder/Beam	240 Feet		
1	Reinforced Concrete Deck	Reinforced Concrete Deck	2022 Square Feet		
1	Standard Joint	Pourable Joint Seal	34 Feet		

Span Number 46

Span Length 60.0000

Skew 90.0000

Number of Items	Type of Component	Element Name	Quantity	Protective System Applied	Quantity (Sq Ft)
8	Fixed Bearing	Fixed Bearing	8 Each	Organic Zinc Primer with Acrylic Topcoat	16
2	Concrete and Metal Railing	Other Bridge Railing	120 Feet	Galvanized Protective System	240
1	Standard Joint	Pourable Joint Seal	34 Feet		
4	Prestressed Concrete Girder	Prestressed Concrete Open Girder/Beam	240 Feet		
1	Reinforced Concrete Deck	Reinforced Concrete Deck	2022 Square Feet		

Span Number 47

Span Length 60.0000

Skew 90.0000

Number of Items	Type of Component	Element Name	Quantity	Protective System Applied	Quantity (Sq Ft)
4	Prestressed Concrete Girder	Prestressed Concrete Open Girder/Beam	240 Feet		
1	Reinforced Concrete Deck	Reinforced Concrete Deck	2022 Square Feet		
1	Standard Joint	Pourable Joint Seal	34 Feet		
2	Concrete and Metal Railing	Other Bridge Railing	120 Feet	Galvanized Protective System	240
8	Fixed Bearing	Fixed Bearing	8 Each	Organic Zinc Primer with Acrylic Topcoat	16

Span Number 48

Span Length 60.0000

Skew 90.0000

Number of Items	Type of Component	Element Name	Quantity	Protective System Applied	Quantity (Sq Ft)
4	Prestressed Concrete Girder	Prestressed Concrete Open Girder/Beam	240 Feet		

Superstructure Build Details

1	Reinforced Concrete Deck	Reinforced Concrete Deck	2022	Square Feet		
2	Concrete and Metal Railing	Other Bridge Railing	120	Feet	Galvanized Protective System	240
8	Fixed Bearing	Fixed Bearing	8	Each	Organic Zinc Primer with Acrylic Topcoat	16
1	Standard Joint	Pourable Joint Seal	34	Feet		

Span Number 49

Span Length 60.0000

Skew 90.0000

Number of Items	Type of Component	Element Name	Quantity	Protective System Applied	Quantity (Sq Ft)	
2	Concrete and Metal Railing	Other Bridge Railing	120	Feet	Galvanized Protective System	240
8	Fixed Bearing	Fixed Bearing	8	Each	Organic Zinc Primer with Acrylic Topcoat	16
4	Prestressed Concrete Girder	Prestressed Concrete Open Girder/Beam	240	Feet		
1	Reinforced Concrete Deck	Reinforced Concrete Deck	2022	Square Feet		
1	Standard Joint	Pourable Joint Seal	34	Feet		

Span Number 50

Span Length 60.0000

Skew 90.0000

Number of Items	Type of Component	Element Name	Quantity	Protective System Applied	Quantity (Sq Ft)	
4	Prestressed Concrete Girder	Prestressed Concrete Open Girder/Beam	240	Feet		
2	Concrete and Metal Railing	Other Bridge Railing	120	Feet	Galvanized Protective System	120
8	Fixed Bearing	Fixed Bearing	8	Each	Organic Zinc Primer with Acrylic Topcoat	16
1	Reinforced Concrete Deck	Reinforced Concrete Deck	2022	Square Feet		
1	Standard Joint	Pourable Joint Seal	34	Feet		

Span Number 51

Span Length 60.0000

Skew 90.0000

Number of Items	Type of Component	Element Name	Quantity	Protective System Applied	Quantity (Sq Ft)	
1	Standard Joint	Pourable Joint Seal	34	Feet		
2	Concrete and Metal Railing	Other Bridge Railing	120	Feet	Galvanized Protective System	240
8	Fixed Bearing	Fixed Bearing	8	Each	Organic Zinc Primer with Acrylic Topcoat	16

Superstructure Build Details

4	Prestressed Concrete Girder	Prestressed Concrete Open Girder/Beam	240 Feet	
1	Reinforced Concrete Deck	Reinforced Concrete Deck	2023 Square Feet	

Span Number 52 Span Length 60.0000 Skew 90.0000

Number of Items	Type of Component	Element Name	Quantity	Protective System Applied	Quantity (Sq Ft)
1	Reinforced Concrete Deck	Reinforced Concrete Deck	2022 Square Feet		
2	Concrete and Metal Railing	Other Bridge Railing	120 Feet	Galvanized Protective System	240
8	Fixed Bearing	Fixed Bearing	8 Each	Organic Zinc Primer with Acrylic Topcoat	16
1	Standard Joint	Pourable Joint Seal	34 Feet		
4	Prestressed Concrete Girder	Prestressed Concrete Open Girder/Beam	240 Feet		

Span Number 53 Span Length 60.0000 Skew 90.0000

Number of Items	Type of Component	Element Name	Quantity	Protective System Applied	Quantity (Sq Ft)
8	Fixed Bearing	Fixed Bearing	8 Each	Organic Zinc Primer with Acrylic Topcoat	16
2	Concrete and Metal Railing	Other Bridge Railing	120 Feet	Galvanized Protective System	240
4	Prestressed Concrete Girder	Prestressed Concrete Open Girder/Beam	240 Feet		
1	Reinforced Concrete Deck	Reinforced Concrete Deck	2022 Square Feet		
1	Standard Joint	Pourable Joint Seal	34 Feet		

Span Number 54 Span Length 60.0000 Skew 90.0000

Number of Items	Type of Component	Element Name	Quantity	Protective System Applied	Quantity (Sq Ft)
1	Reinforced Concrete Deck	Reinforced Concrete Deck	2022 Square Feet		
2	Concrete and Metal Railing	Other Bridge Railing	120 Feet	Galvanized Protective System	240
4	Prestressed Concrete Girder	Prestressed Concrete Open Girder/Beam	240 Feet		
8	Fixed Bearing	Fixed Bearing	8 Each	Organic Zinc Primer with Acrylic Topcoat	16
1	Standard Joint	Pourable Joint Seal	34 Feet		

Span Number 55 Span Length 60.0000 Skew 90.0000

Superstructure Build Details

Number of Items	Type of Component	Element Name	Quantity	Protective System Applied	Quantity (Sq Ft)
2	Concrete and Metal Railing	Other Bridge Railing	120 Feet	Galvanized Protective System	240
4	Prestressed Concrete Girder	Prestressed Concrete Open Girder/Beam	240 Feet		
1	Reinforced Concrete Deck	Reinforced Concrete Deck	2022 Square Feet		
8	Fixed Bearing	Fixed Bearing	8 Each	Organic Zinc Primer with Acrylic Topcoat	16
1	Standard Joint	Pourable Joint Seal	34 Feet		

Span Number 56

Span Length 60.0000

Skew 90.0000

Number of Items	Type of Component	Element Name	Quantity	Protective System Applied	Quantity (Sq Ft)
4	Prestressed Concrete Girder	Prestressed Concrete Open Girder/Beam	240 Feet		
1	Reinforced Concrete Deck	Reinforced Concrete Deck	2022 Square Feet		
1	Standard Joint	Pourable Joint Seal	34 Feet		
8	Fixed Bearing	Fixed Bearing	8 Each	Organic Zinc Primer with Acrylic Topcoat	16
2	Concrete and Metal Railing	Other Bridge Railing	120 Feet	Galvanized Protective System	240

Span Number 57

Span Length 60.0000

Skew 90.0000

Number of Items	Type of Component	Element Name	Quantity	Protective System Applied	Quantity (Sq Ft)
1	Reinforced Concrete Deck	Reinforced Concrete Deck	2022 Square Feet		
4	Prestressed Concrete Girder	Prestressed Concrete Open Girder/Beam	240 Feet		
2	Concrete and Metal Railing	Other Bridge Railing	120 Feet	Galvanized Protective System	240
8	Fixed Bearing	Fixed Bearing	8 Each	Organic Zinc Primer with Acrylic Topcoat	16
1	Standard Joint	Pourable Joint Seal	34 Feet		

Span Number 58

Span Length 60.0000

Skew 90.0000

Number of Items	Type of Component	Element Name	Quantity	Protective System Applied	Quantity (Sq Ft)
8	Fixed Bearing	Fixed Bearing	8 Each	Organic Zinc Primer with Acrylic Topcoat	16

Superstructure Build Details

1	Reinforced Concrete Deck	Reinforced Concrete Deck	2022	Square Feet		
1	Standard Joint	Pourable Joint Seal	34	Feet		
2	Concrete and Metal Railing	Other Bridge Railing	120	Feet	Galvanized Protective System	240
4	Prestressed Concrete Girder	Prestressed Concrete Open Girder/Beam	240	Feet		

Span Number 59

Span Length 60.0000

Skew 90.0000

Number of Items	Type of Component	Element Name	Quantity		Protective System Applied	Quantity (Sq Ft)
4	Prestressed Concrete Girder	Prestressed Concrete Open Girder/Beam	240	Feet		
2	Concrete and Metal Railing	Other Bridge Railing	120	Feet	Galvanized Protective System	240
1	Reinforced Concrete Deck	Reinforced Concrete Deck	2022	Square Feet		
8	Fixed Bearing	Fixed Bearing	8	Each	Organic Zinc Primer with Acrylic Topcoat	16
1	Standard Joint	Pourable Joint Seal	34	Feet		

Span Number 60

Span Length 60.0000

Skew 90.0000

Number of Items	Type of Component	Element Name	Quantity		Protective System Applied	Quantity (Sq Ft)
2	Concrete and Metal Railing	Other Bridge Railing	120	Feet	Galvanized Protective System	240
1	Standard Joint	Pourable Joint Seal	34	Feet		
8	Fixed Bearing	Fixed Bearing	8	Each	Organic Zinc Primer with Acrylic Topcoat	16
4	Prestressed Concrete Girder	Prestressed Concrete Open Girder/Beam	240	Feet		
1	Reinforced Concrete Deck	Reinforced Concrete Deck	2022	Square Feet		

Span Number 61

Span Length 60.0000

Skew 90.0000

Number of Items	Type of Component	Element Name	Quantity		Protective System Applied	Quantity (Sq Ft)
8	Fixed Bearing	Fixed Bearing	8	Each	Organic Zinc Primer with Acrylic Topcoat	16
4	Prestressed Concrete Girder	Prestressed Concrete Open Girder/Beam	240	Feet		
1	Reinforced Concrete Deck	Reinforced Concrete Deck	2022	Square Feet		

Superstructure Build Details

1	Standard Joint	Pourable Joint Seal	34 Feet		
2	Concrete and Metal Railing	Other Bridge Railing	120 Feet	Galvanized Protective System	240

Span Number 62 Span Length 60.0000 Skew 90.0000

Number of Items	Type of Component	Element Name	Quantity	Protective System Applied	Quantity (Sq Ft)
2	Concrete and Metal Railing	Other Bridge Railing	120 Feet	Galvanized Protective System	240
1	Reinforced Concrete Deck	Reinforced Concrete Deck	2022 Square Feet		
8	Fixed Bearing	Fixed Bearing	8 Each	Organic Zinc Primer with Acrylic Topcoat	16
4	Prestressed Concrete Girder	Prestressed Concrete Open Girder/Beam	240 Feet		
1	Standard Joint	Pourable Joint Seal	34 Feet		

Span Number 63 Span Length 60.0000 Skew 90.0000

Number of Items	Type of Component	Element Name	Quantity	Protective System Applied	Quantity (Sq Ft)
1	Standard Joint	Pourable Joint Seal	34 Feet		
2	Concrete and Metal Railing	Other Bridge Railing	120 Feet	Galvanized Protective System	240
4	Prestressed Concrete Girder	Prestressed Concrete Open Girder/Beam	240 Feet		
8	Fixed Bearing	Fixed Bearing	8 Each	Organic Zinc Primer with Acrylic Topcoat	16
1	Reinforced Concrete Deck	Reinforced Concrete Deck	2022 Square Feet		

Span Number 64 Span Length 60.0000 Skew 90.0000

Number of Items	Type of Component	Element Name	Quantity	Protective System Applied	Quantity (Sq Ft)
4	Prestressed Concrete Girder	Prestressed Concrete Open Girder/Beam	240 Feet		
2	Concrete and Metal Railing	Other Bridge Railing	120 Feet	Galvanized Protective System	240
1	Standard Joint	Pourable Joint Seal	34 Feet		
8	Fixed Bearing	Fixed Bearing	8 Each	Organic Zinc Primer with Acrylic Topcoat	16
1	Reinforced Concrete Deck	Reinforced Concrete Deck	2022 Square Feet		

Span Number 65 Span Length 60.0000 Skew 90.0000

Superstructure Build Details

Number of Items	Type of Component	Element Name	Quantity	Protective System Applied	Quantity (Sq Ft)
4	Prestressed Concrete Girder	Prestressed Concrete Open Girder/Beam	240 Feet		
2	Concrete and Metal Railing	Other Bridge Railing	120 Feet	Galvanized Protective System	240
1	Reinforced Concrete Deck	Reinforced Concrete Deck	2022 Square Feet		
1	Standard Joint	Pourable Joint Seal	34 Feet		
8	Fixed Bearing	Fixed Bearing	8 Each	Organic Zinc Primer with Acrylic Topcoat	16

Span Number 66

Span Length 60.0000

Skew 90.0000

Number of Items	Type of Component	Element Name	Quantity	Protective System Applied	Quantity (Sq Ft)
8	Fixed Bearing	Fixed Bearing	8 Each	Organic Zinc Primer with Acrylic Topcoat	16
2	Concrete and Metal Railing	Other Bridge Railing	120 Feet	Galvanized Protective System	240
1	Reinforced Concrete Deck	Reinforced Concrete Deck	2022 Square Feet		
1	Standard Joint	Pourable Joint Seal	34 Feet		
4	Prestressed Concrete Girder	Prestressed Concrete Open Girder/Beam	240 Feet		

Span Number 67

Span Length 60.0000

Skew 90.0000

Number of Items	Type of Component	Element Name	Quantity	Protective System Applied	Quantity (Sq Ft)
4	Prestressed Concrete Girder	Prestressed Concrete Open Girder/Beam	240 Feet		
1	Standard Joint	Pourable Joint Seal	34 Feet		
2	Concrete and Metal Railing	Other Bridge Railing	120 Feet	Galvanized Protective System	240
8	Fixed Bearing	Fixed Bearing	8 Each	Organic Zinc Primer with Acrylic Topcoat	16
1	Reinforced Concrete Deck	Reinforced Concrete Deck	2022 Square Feet		

Span Number 68

Span Length 60.0000

Skew 90.0000

Number of Items	Type of Component	Element Name	Quantity	Protective System Applied	Quantity (Sq Ft)
8	Fixed Bearing	Fixed Bearing	8 Each	Organic Zinc Primer with Acrylic Topcoat	16

Superstructure Build Details

1	Standard Joint	Pourable Joint Seal	34 Feet		
4	Prestressed Concrete Girder	Prestressed Concrete Open Girder/Beam	240 Feet		
1	Reinforced Concrete Deck	Reinforced Concrete Deck	2022 Square Feet		
2	Concrete and Metal Railing	Other Bridge Railing	120 Feet	Galvanized Protective System	240

Span Number 69

Span Length 60.0000

Skew 90.0000

Number of Items	Type of Component	Element Name	Quantity	Protective System Applied	Quantity (Sq Ft)
4	Prestressed Concrete Girder	Prestressed Concrete Open Girder/Beam	240 Feet		
1	Reinforced Concrete Deck	Reinforced Concrete Deck	2022 Square Feet		
8	Fixed Bearing	Fixed Bearing	8 Each	Organic Zinc Primer with Acrylic Topcoat	16
1	Standard Joint	Pourable Joint Seal	34 Feet		
2	Concrete and Metal Railing	Other Bridge Railing	120 Feet	Galvanized Protective System	240

Span Number 70

Span Length 60.0000

Skew 90.0000

Number of Items	Type of Component	Element Name	Quantity	Protective System Applied	Quantity (Sq Ft)
1	Reinforced Concrete Deck	Reinforced Concrete Deck	2022 Square Feet		
2	Concrete and Metal Railing	Other Bridge Railing	120 Feet	Galvanized Protective System	240
8	Fixed Bearing	Fixed Bearing	8 Each	Organic Zinc Primer with Acrylic Topcoat	16
4	Prestressed Concrete Girder	Prestressed Concrete Open Girder/Beam	240 Feet		
1	Standard Joint	Pourable Joint Seal	34 Feet		

Span Number 71

Span Length 60.0000

Skew 90.0000

Number of Items	Type of Component	Element Name	Quantity	Protective System Applied	Quantity (Sq Ft)
8	Fixed Bearing	Fixed Bearing	8 Each	Organic Zinc Primer with Acrylic Topcoat	16
4	Prestressed Concrete Girder	Prestressed Concrete Open Girder/Beam	240 Feet		
1	Reinforced Concrete Deck	Reinforced Concrete Deck	2023 Square Feet		

Superstructure Build Details

1	Standard Joint	Pourable Joint Seal	34 Feet	
2	Concrete and Metal Railing	Other Bridge Railing	120 Feet	Galvanized Protective System 240

Span Number 72 Span Length 60.0000 Skew 90.0000

Number of Items	Type of Component	Element Name	Quantity	Protective System Applied	Quantity (Sq Ft)
8	Fixed Bearing	Fixed Bearing	8 Each	Organic Zinc Primer with Acrylic Topcoat	16
4	Prestressed Concrete Girder	Prestressed Concrete Open Girder/Beam	240 Feet		
1	Reinforced Concrete Deck	Reinforced Concrete Deck	2022 Square Feet		
1	Standard Joint	Pourable Joint Seal	34 Feet		
2	Concrete and Metal Railing	Other Bridge Railing	120 Feet	Galvanized Protective System	240

Span Number 73 Span Length 60.0000 Skew 90.0000

Number of Items	Type of Component	Element Name	Quantity	Protective System Applied	Quantity (Sq Ft)
2	Concrete and Metal Railing	Other Bridge Railing	120 Feet	Galvanized Protective System	240
1	Standard Joint	Pourable Joint Seal	34 Feet		
4	Prestressed Concrete Girder	Prestressed Concrete Open Girder/Beam	240 Feet		
1	Reinforced Concrete Deck	Reinforced Concrete Deck	2022 Square Feet		
8	Fixed Bearing	Fixed Bearing	8 Each	Organic Zinc Primer with Acrylic Topcoat	16

Span Number 74 Span Length 60.0000 Skew 90.0000

Number of Items	Type of Component	Element Name	Quantity	Protective System Applied	Quantity (Sq Ft)
1	Standard Joint	Pourable Joint Seal	34 Feet		
4	Prestressed Concrete Girder	Prestressed Concrete Open Girder/Beam	240 Feet		
1	Reinforced Concrete Deck	Reinforced Concrete Deck	2022 Square Feet		
2	Concrete and Metal Railing	Other Bridge Railing	120 Feet	Galvanized Protective System	240
8	Fixed Bearing	Fixed Bearing	8 Each	Organic Zinc Primer with Acrylic Topcoat	16

Span Number 75 Span Length 60.0000 Skew 90.0000

Superstructure Build Details

Number of Items	Type of Component	Element Name	Quantity	Protective System Applied	Quantity (Sq Ft)
2	Concrete and Metal Railing	Other Bridge Railing	120 Feet	Galvanized Protective System	240
8	Fixed Bearing	Fixed Bearing	8 Each	Organic Zinc Primer with Acrylic Topcoat	16
4	Prestressed Concrete Girder	Prestressed Concrete Open Girder/Beam	240 Feet		
1	Reinforced Concrete Deck	Reinforced Concrete Deck	2022 Square Feet		
1	Standard Joint	Pourable Joint Seal	34 Feet		

Span Number 76

Span Length 60.0000

Skew 90.0000

Number of Items	Type of Component	Element Name	Quantity	Protective System Applied	Quantity (Sq Ft)
1	Reinforced Concrete Deck	Reinforced Concrete Deck	2022 Square Feet		
1	Standard Joint	Pourable Joint Seal	34 Feet		
2	Concrete and Metal Railing	Other Bridge Railing	120 Feet	Galvanized Protective System	240
4	Prestressed Concrete Girder	Prestressed Concrete Open Girder/Beam	240 Feet		
8	Fixed Bearing	Fixed Bearing	8 Each	Organic Zinc Primer with Acrylic Topcoat	16

Span Number 77

Span Length 60.0000

Skew 90.0000

Number of Items	Type of Component	Element Name	Quantity	Protective System Applied	Quantity (Sq Ft)
2	Concrete and Metal Railing	Other Bridge Railing	120 Feet	Galvanized Protective System	240
4	Prestressed Concrete Girder	Prestressed Concrete Open Girder/Beam	240 Feet		
1	Reinforced Concrete Deck	Reinforced Concrete Deck	2022 Square Feet		
1	Standard Joint	Pourable Joint Seal	34 Feet		
8	Fixed Bearing	Fixed Bearing	8 Each	Organic Zinc Primer with Acrylic Topcoat	16

Span Number 78

Span Length 60.0000

Skew 90.0000

Number of Items	Type of Component	Element Name	Quantity	Protective System Applied	Quantity (Sq Ft)
4	Prestressed Concrete Girder	Prestressed Concrete Open Girder/Beam	240 Feet		

Superstructure Build Details

1	Standard Joint	Pourable Joint Seal	34 Feet		
2	Concrete and Metal Railing	Other Bridge Railing	120 Feet	Galvanized Protective System	240
8	Fixed Bearing	Fixed Bearing	8 Each	Organic Zinc Primer with Acrylic Topcoat	16
1	Reinforced Concrete Deck	Reinforced Concrete Deck	2022 Square Feet		

Span Number 79

Span Length 60.0000

Skew 90.0000

Number of Items	Type of Component	Element Name	Quantity	Protective System Applied	Quantity (Sq Ft)
8	Fixed Bearing	Fixed Bearing	8 Each	Organic Zinc Primer with Acrylic Topcoat	16
4	Prestressed Concrete Girder	Prestressed Concrete Open Girder/Beam	240 Feet		
1	Reinforced Concrete Deck	Reinforced Concrete Deck	2022 Square Feet		
1	Standard Joint	Pourable Joint Seal	34 Feet		
2	Concrete and Metal Railing	Other Bridge Railing	120 Feet	Galvanized Protective System	240

Span Number 80

Span Length 60.0000

Skew 90.0000

Number of Items	Type of Component	Element Name	Quantity	Protective System Applied	Quantity (Sq Ft)
8	Fixed Bearing	Fixed Bearing	8 Each	Organic Zinc Primer with Acrylic Topcoat	16
4	Prestressed Concrete Girder	Prestressed Concrete Open Girder/Beam	240 Feet		
2	Concrete and Metal Railing	Other Bridge Railing	120 Feet	Galvanized Protective System	240
1	Reinforced Concrete Deck	Reinforced Concrete Deck	2022 Square Feet		
1	Standard Joint	Pourable Joint Seal	34 Feet		

Span Number 81

Span Length 60.0000

Skew 90.0000

Number of Items	Type of Component	Element Name	Quantity	Protective System Applied	Quantity (Sq Ft)
8	Fixed Bearing	Fixed Bearing	8 Each	Organic Zinc Primer with Acrylic Topcoat	16
4	Prestressed Concrete Girder	Prestressed Concrete Open Girder/Beam	240 Feet		
2	Concrete and Metal Railing	Other Bridge Railing	120 Feet	Galvanized Protective System	240

Superstructure Build Details

1	Reinforced Concrete Deck	Reinforced Concrete Deck	2022	Square Feet		
1	Standard Joint	Pourable Joint Seal	34	Feet		

Span Number 82 Span Length 60.0000 Skew 90.0000

Number of Items	Type of Component	Element Name	Quantity	Protective System Applied	Quantity (Sq Ft)
1	Reinforced Concrete Deck	Reinforced Concrete Deck	2022	Square Feet	
2	Concrete and Metal Railing	Other Bridge Railing	120	Feet	Galvanized Protective System 240
8	Fixed Bearing	Fixed Bearing	8	Each	Organic Zinc Primer with Acrylic Topcoat 16
4	Prestressed Concrete Girder	Prestressed Concrete Open Girder/Beam	240	Feet	
1	Standard Joint	Pourable Joint Seal	34	Feet	

Span Number 83 Span Length 60.0000 Skew 90.0000

Number of Items	Type of Component	Element Name	Quantity	Protective System Applied	Quantity (Sq Ft)
8	Fixed Bearing	Fixed Bearing	8	Each	Organic Zinc Primer with Acrylic Topcoat 16
1	Standard Joint	Pourable Joint Seal	34	Feet	
4	Prestressed Concrete Girder	Prestressed Concrete Open Girder/Beam	240	Feet	
2	Concrete and Metal Railing	Other Bridge Railing	120	Feet	Galvanized Protective System 240
1	Reinforced Concrete Deck	Reinforced Concrete Deck	2022	Square Feet	

Span Number 84 Span Length 60.0000 Skew 90.0000

Number of Items	Type of Component	Element Name	Quantity	Protective System Applied	Quantity (Sq Ft)
1	Reinforced Concrete Deck	Reinforced Concrete Deck	2022	Square Feet	
8	Fixed Bearing	Fixed Bearing	8	Each	Organic Zinc Primer with Acrylic Topcoat 16
1	Standard Joint	Pourable Joint Seal	34	Feet	
2	Concrete and Metal Railing	Other Bridge Railing	120	Feet	Galvanized Protective System 240
4	Prestressed Concrete Girder	Prestressed Concrete Open Girder/Beam	240	Feet	

Span Number 85 Span Length 60.0000 Skew 90.0000

Superstructure Build Details

Number of Items	Type of Component	Element Name	Quantity	Protective System Applied	Quantity (Sq Ft)
4	Prestressed Concrete Girder	Prestressed Concrete Open Girder/Beam	240 Feet		
1	Standard Joint	Pourable Joint Seal	34 Feet		
2	Concrete and Metal Railing	Other Bridge Railing	120 Feet	Galvanized Protective System	240
8	Fixed Bearing	Fixed Bearing	8 Each	Organic Zinc Primer with Acrylic Topcoat	16
1	Reinforced Concrete Deck	Reinforced Concrete Deck	2022 Square Feet		

Span Number 86

Span Length 60.0000

Skew 90.0000

Number of Items	Type of Component	Element Name	Quantity	Protective System Applied	Quantity (Sq Ft)
4	Prestressed Concrete Girder	Prestressed Concrete Open Girder/Beam	240 Feet		
8	Fixed Bearing	Fixed Bearing	8 Each	Organic Zinc Primer with Acrylic Topcoat	16
1	Standard Joint	Pourable Joint Seal	34 Feet		
1	Reinforced Concrete Deck	Reinforced Concrete Deck	2022 Square Feet		
2	Concrete and Metal Railing	Other Bridge Railing	120 Feet	Galvanized Protective System	240

Span Number 87

Span Length 60.0000

Skew 90.0000

Number of Items	Type of Component	Element Name	Quantity	Protective System Applied	Quantity (Sq Ft)
1	Standard Joint	Pourable Joint Seal	34 Feet		
8	Fixed Bearing	Fixed Bearing	8 Each	Organic Zinc Primer with Acrylic Topcoat	16
4	Prestressed Concrete Girder	Prestressed Concrete Open Girder/Beam	240 Feet		
2	Concrete and Metal Railing	Other Bridge Railing	120 Feet	Galvanized Protective System	240
1	Reinforced Concrete Deck	Reinforced Concrete Deck	2022 Square Feet		

Span Number 88

Span Length 60.0000

Skew 90.0000

Number of Items	Type of Component	Element Name	Quantity	Protective System Applied	Quantity (Sq Ft)
1	Standard Joint	Pourable Joint Seal	34 Feet		

Superstructure Build Details

4	Prestressed Concrete Girder	Prestressed Concrete Open Girder/Beam	240	Feet		
8	Fixed Bearing	Fixed Bearing	8	Each	Organic Zinc Primer with Acrylic Topcoat	16
2	Concrete and Metal Railing	Other Bridge Railing	120	Feet	Galvanized Protective System	240
1	Reinforced Concrete Deck	Reinforced Concrete Deck	2022	Square Feet		

Span Number 89

Span Length 60.0000

Skew 90.0000

Number of Items	Type of Component	Element Name	Quantity	Protective System Applied	Quantity (Sq Ft)	
8	Fixed Bearing	Fixed Bearing	8	Each	Organic Zinc Primer with Acrylic Topcoat	16
1	Standard Joint	Pourable Joint Seal	34	Feet		
2	Concrete and Metal Railing	Other Bridge Railing	120	Feet	Galvanized Protective System	240
4	Prestressed Concrete Girder	Prestressed Concrete Open Girder/Beam	240	Feet		
1	Reinforced Concrete Deck	Reinforced Concrete Deck	2022	Square Feet		

Span Number 90

Span Length 60.0000

Skew 90.0000

Number of Items	Type of Component	Element Name	Quantity	Protective System Applied	Quantity (Sq Ft)	
1	Standard Joint	Pourable Joint Seal	34	Feet		
2	Concrete and Metal Railing	Other Bridge Railing	120	Feet	Galvanized Protective System	240
1	Reinforced Concrete Deck	Reinforced Concrete Deck	2022	Square Feet		
8	Fixed Bearing	Fixed Bearing	8	Each	Organic Zinc Primer with Acrylic Topcoat	16
4	Prestressed Concrete Girder	Prestressed Concrete Open Girder/Beam	240	Feet		

Span Number 91

Span Length 60.0000

Skew 90.0000

Number of Items	Type of Component	Element Name	Quantity	Protective System Applied	Quantity (Sq Ft)	
8	Fixed Bearing	Fixed Bearing	8	Each	Organic Zinc Primer with Acrylic Topcoat	16
1	Standard Joint	Pourable Joint Seal	34	Feet		
4	Prestressed Concrete Girder	Prestressed Concrete Open Girder/Beam	240	Feet		

Superstructure Build Details

1	Reinforced Concrete Deck	Reinforced Concrete Deck	2022	Square Feet		
2	Concrete and Metal Railing	Other Bridge Railing	120	Feet	Galvanized Protective System	240

Span Number 92 Span Length 60.0000 Skew 90.0000

Number of Items	Type of Component	Element Name	Quantity	Protective System Applied	Quantity (Sq Ft)	
1	Standard Joint	Pourable Joint Seal	34	Feet		
2	Concrete and Metal Railing	Other Bridge Railing	120	Feet	Galvanized Protective System	240
4	Prestressed Concrete Girder	Prestressed Concrete Open Girder/Beam	240	Feet		
1	Reinforced Concrete Deck	Reinforced Concrete Deck	2022	Square Feet		
8	Fixed Bearing	Fixed Bearing	8	Each	Organic Zinc Primer with Acrylic Topcoat	16

Span Number 93 Span Length 60.0000 Skew 90.0000

Number of Items	Type of Component	Element Name	Quantity	Protective System Applied	Quantity (Sq Ft)	
1	Reinforced Concrete Deck	Reinforced Concrete Deck	2022	Square Feet		
8	Fixed Bearing	Fixed Bearing	8	Each	Organic Zinc Primer with Acrylic Topcoat	16
4	Prestressed Concrete Girder	Prestressed Concrete Open Girder/Beam	240	Feet		
1	Standard Joint	Pourable Joint Seal	34	Feet		
2	Concrete and Metal Railing	Other Bridge Railing	120	Feet	Galvanized Protective System	240

Span Number 94 Span Length 60.0000 Skew 90.0000

Number of Items	Type of Component	Element Name	Quantity	Protective System Applied	Quantity (Sq Ft)	
8	Fixed Bearing	Fixed Bearing	8	Each	Organic Zinc Primer with Acrylic Topcoat	16
4	Prestressed Concrete Girder	Prestressed Concrete Open Girder/Beam	240	Feet		
1	Reinforced Concrete Deck	Reinforced Concrete Deck	2022	Square Feet		
1	Standard Joint	Pourable Joint Seal	34	Feet		
2	Concrete and Metal Railing	Other Bridge Railing	120	Feet	Galvanized Protective System	240

Span Number 95 Span Length 60.6700 Skew 90.0000

Superstructure Build Details

Number of Items	Type of Component	Element Name	Quantity	Protective System Applied	Quantity (Sq Ft)
8	Fixed Bearing	Fixed Bearing	8 Each	Organic Zinc Primer with Acrylic Topcoat	16
4	Prestressed Concrete Girder	Prestressed Concrete Open Girder/Beam	240 Feet		
1	Standard Joint	Pourable Joint Seal	34 Feet		
2	Concrete and Metal Railing	Other Bridge Railing	122 Feet	Galvanized Protective System	244
1	Reinforced Concrete Deck	Reinforced Concrete Deck	2045 Square Feet		

Structure Element Scoring

Structure Number: 070007

Inspection Date 3/3/2022

Element Number	Parent Number	Element Name	Location	Total Quantity	Level 1 Quantity	Level 2 Quantity	Level 3 Quantity	Level 4 Quantity
12	0	Reinforced Concrete Deck	Deck	196897	164442	31817	638	0
107	0	Steel Open Girder/Beam	Beam	1280	1160	101	17	2
515	107	Steel Protective Coating	Beam	20144	20029	0	75	40
109	0	Prestressed Concrete Open Girder/Beam	Beam	22080	21604	365	111	0
205	0	Reinforced Concrete Column	Piles and Columns	68	47	20	1	0
215	0	Reinforced Concrete Abutment	Abutments	68	62	4	2	0
220	0	Reinforced Concrete Pile Cap/Footing	Footing	1082	21	1059	2	0
226	0	Prestressed Concrete Pile	Foundation Pile	402	80	11	311	0
226	0	Prestressed Concrete Pile	Piles and Columns	375	90	0	285	0
233	0	Prestressed Concrete Pier Cap	Caps	29	8	21	0	0
234	0	Reinforced Concrete Pier Cap	Caps	2769	930	1780	59	0
301	0	Pourable Joint Seal	Expansion Joints	3128	3032	25	0	71
313	0	Fixed Bearing	Bearing Device	747	271	449	27	0
515	313	Steel Protective Coating	Bearing Device	1492	1037	212	203	40
316	0	Other Bearings	Bearing Device	14	13	1	0	0
515	316	Steel Protective Coating	Bearing Device	22	22	0	0	0
321	0	Reinforced Concrete Approach Slabs	Approaches	0	0	0	0	0
333	0	Other Bridge Railing	Bridge Rail	11684	11676	7	1	0
515	333	Steel Protective Coating	Bridge Rail	23248	23248	0	0	0

Summary of Maintenance Needs

Maintenance By Defect

Structure Number: 070007

Inspection Date: 03/03/2022

MMS Code	Element Name	Defect Name	Recommended Quantity
3326	Reinforced Concrete Deck	Cracking (RC and Other)	27839 Square Feet
3326	Reinforced Concrete Deck	Exposed Rebar	9 Square Feet
3326	Reinforced Concrete Deck	Patched Areas	1 Square Feet
3326	Reinforced Concrete Deck	Delamination/Spall	2504 Square Feet
3314	Steel Open Girder/Beam	Corrosion	19 Feet
3306	Prestressed Concrete Open Girder/Bear	Exposed Rebar	9 Feet
3306	Prestressed Concrete Open Girder/Bear	Delamination/Spall	123 Feet
3306	Prestressed Concrete Open Girder/Bear	Cracking (PSC)	49 Feet
3306	Prestressed Concrete Open Girder/Bear	Patched Area	2 Feet
3348	Reinforced Concrete Column	Delamination/Spall	44 Each
3350	Reinforced Concrete Abutment	Delamination/Spall	4 Feet
3350	Reinforced Concrete Abutment	Cracking (RC and Other)	2 Feet
3348	Reinforced Concrete Pile Cap/Footing	Delamination/Spall	2 Feet
3348	Prestressed Concrete Pile	Delamination/Spall	4 Each
3348	Prestressed Concrete Pile	Cracking (PSC)	1467 Each
3348	Prestressed Concrete Pile	Abrasion/Wear (PSC/RC)	744 Each
3348	Prestressed Concrete Pile	Efflorescence/Rust Staining	3 Each
3348	Reinforced Concrete Pier Cap	Exposed Rebar	7 Feet
3348	Reinforced Concrete Pier Cap	Efflorescence/Rust Staining	1 Feet
3348	Reinforced Concrete Pier Cap	Cracking (RC and Other)	4 Feet
3348	Reinforced Concrete Pier Cap	Delamination/Spall	102 Feet
3310	Pourable Joint Seal	Seal Adhesion	71 Feet
3334	Fixed Bearing	Loss of Bearing Area	1 Each
3334	Fixed Bearing	Corrosion	26 Each
3318	Other Bridge Railing	Delamination/Spall	1 Feet
3318	Other Bridge Railing	Damage	7 Feet
3342	Steel Protective Coating	Effectiveness (Steel Protective Coatings)	570 Square Feet

Element Structure Maintenance Quantities

Structure Number: 070007

Inspection Date 03/03/2022

Location	MMS Code	Description	Maint Quantity	Total Quantity	Severe Quantity	Poor Quantity	Fair Quantity	Good Quantity
Abutments	3350	Maintenance of Concrete Wings and Wall	6	68	0	2	4	62
Approaches	3353	Maintenance of Concrete Bridge Approach Slabs	0	0	0	0	0	0
Beam	3306	Maintenance Concrete Superstructure Components	181	22080	0	111	365	21604
Beam	3314	Maintenance Steel Superstructure Components	19	1280	2	17	101	1160
Beam	3342	Clean and Paint Steel	115	20144	40	75	0	20029
Bearing Device	3334	Bridge Bearing	27	761	0	27	450	284
Bearing Device	3342	Clean and Paint Steel	455	1514	40	203	212	1059
Bridge Rail	3318	Maintenance of Concrete Bridge Rail	8	11684	0	1	7	11676
Bridge Rail	3342	Clean and Paint Steel	0	23248	0	0	0	23248
Caps	3348	Maintenance of Concrete Substructure	114	2798	0	59	1801	938
Deck	3326	Maintenance of Concrete Deck	30349	196897	0	638	31817	164442
Expansion Joints	3310	Maintenance of Standard Bridge Expansion Joints	71	3128	71	0	25	3032
Footing	3348	Maintenance of Concrete Substructure	2	1082	0	2	1059	21
Foundation Pile	3348	Maintenance of Concrete Substructure	1251	402	0	311	11	80
Piles and Columns	3348	Maintenance of Concrete Substructure	1011	443	0	286	20	137

Priority Actions Request

Structure Number 070007

Span3

3306 Beam 1 Prestressed Concrete Girder

Priority Level	Defect Type	Quantity	Defect Description
2	Exposed Rebar	1	Span 3 Beam 1: [PAR] bottom left flange at bent 2, spall [12in x 8in x 3in deep] with [2] two exposed rusted stirrup [up to 1/16in section loss]

Span 6

3334 Beam 3 Prestressed Concrete Girder

Priority Level	Defect Type	Quantity	Defect Description
2	Loss of Bearing Area	1	Span 6 Beam 3 Far Bearing: PAR: 18" WIDE X 6" DEEP TRIANGULAR AREA OF LOSS OF BEARING AT BENT 6 CAP DUE TO LARGE SPALL ON SOUTH FACE OF CAP

Span13

3326 Deck Reinforced Concrete Deck

Priority Level	Defect Type	Quantity	Defect Description
2	Exposed Rebar	3	Span 13 Deck: PAR: 3' WIDE X 6" LONG X 3" DEEP SPALL WITH EXPSOED REBAR IN SOUTH BOUND LANE AT BENT 12 JOINT

Span17

3314 Beam 3 Plate Girder

Priority Level	Defect Type	Quantity	Defect Description
2	Corrosion	1	Span 17 Beam 3: PAR: bottom left flange at bent 16, active corrosion with section loss [5in x in x 3/4in avg rem]

3314 Beam 4 Plate Girder

Priority Level	Defect Type	Quantity	Defect Description
2	Corrosion	1	Span 17 Beam 4: PAR: 1/2" REMAINING ON BOTTOM RIGHT FLANGE FOR 3" WIDE X 3" LONG ON NORTH SIDE OF SPLICE NUMBER 1 IN SPAN 18

Span20

3306 Beam 3 Prestressed Concrete Girder

Priority Level	Defect Type	Quantity	Defect Description
2	Exposed Rebar	1	Span 20 Beam 3: PAR: SPAN 20 BEAM 3 RIGHT BOTTOM FLANGE OVER BENT

? Priority Action Request (PAR)
 1 Assigned Routine Maintenance
 2 Assigned Priority Maintenance
 3 Assigned Critical Find

Priority Actions Request

Structure Number 070007

19. HAS A SPALL WITH EXPOSED STRANDS 12" LONG X 8" TALL X 3" DEEP

Span38

3306	Beam 4	Prestressed Concrete Girder		
Priority Level	Defect Type	Quantity	Defect Description	
2	Exposed Rebar	1	Span 38 Beam 4: PAR: 12" LONG X 8" TALL X 3" DEEP SPALL WITH EXPOSED STRANDS WITH SOME SECTION LOSS ON BOTTOM RIGHT FLANGE AT BENT 37	

Span42

3326	Deck	Reinforced Concrete Deck		
Priority Level	Defect Type	Quantity	Defect Description	
2	Exposed Rebar	5	Span 42 Deck: PAR: 30" DIAMETER X 2" DEEP SPALL WITH EXPOSED REBAR WITH SECTION LOSS IN BAY 1 AT 12' FROM BENT 41	

Span47

3306	Beam 2	Prestressed Concrete Girder		
Priority Level	Defect Type	Quantity	Defect Description	
2	Exposed Rebar	1	Span 47 Beam 2: PAR: 8" LONG X 8" TALL X 3" DEEP SPALL WITH EXPOSED STRANDS WITH SECTION LOSS ON BOTTOM RIGHT FLANGE AT BENT 46	

Span88

3306	Beam 3	Prestressed Concrete Girder		
Priority Level	Defect Type	Quantity	Defect Description	
2	Exposed Rebar	3	Span 88 Beam 3: PAR: 3' LONG X 10" TALL X 3" DEEP SPALL WITH EXPOSED STRANDS WITH SECTION LOSS ON BOTTOM LEFT FLANGE AT BENT 88	

Bent 6

3348	Cap 1	Reinforced Concrete Pier Cap		
Priority Level	Defect Type	Quantity	Defect Description	
2	Exposed Rebar	4	Bent 6 Cap 1: PAR: 4' LONG X 2' TALL X 10" DEEP SPALL WITH EXPOSED REBAR ON SOUTH FACE UNDER GIRDER 3 WITH 18" LONG X 6" DEEP LOSS OF BEARING	

Priority Actions Request

Structure Number 070007

Element Condition and Maintenance Data

Structure Number: 070007

Inspection Date: 03/03/2022

Span 1 **Deck**
Reinforced Concrete Deck

Element Number	Element Name	Total Qty	CS1 Qty	CS2 Qty	CS3 Qty	CS4 Qty	
12	Reinforced Concrete Deck	2,046	0	2,046	0	0	Square Feet

Element Number	Defect Type	Defect Description	CS	CS Qty	Maint Qty	
12	Cracking (RC and Other)	throughout underside in all bays and both overhangs, multiple longitudinal cracks and transverse cracks [up to 6ft x up to 1/32in]	2	740	740	Square Feet
12	Delamination/Spall	throughout underside and overhangs, areas of scaling with delamination	2	600	600	Square Feet
12	Patched Areas	12" X 12" NEW REPAIR TO UNDERSIDE IN BAY 1 AT 25' FROM END BENT 1 ADJACENT TO GIRDER 2	2	1		Square Feet
12	Patched Areas	throughout underside in all bays and both overhangs, multiple sound patches [up to 6ft x up to 5ft]	2	500		Square Feet
12	Patched Areas	throughout both lanes, multiple sound patches [up to 6ft x up to 8ft]	2	100		Square Feet
12	Patched Areas	underside in bay 2 near midspan, sound patch [15ft x full bay width]	2	105		Square Feet
12	Delamination/Spall	underside in bay 1 at 25ft from End Bent 1, spall [12in x 12in x 1.5in deep] with exposed rusted reinforcing [up to 1/8in section loss] (REPAIRED PRIOR TO 2022 INSPECTION)	1	1		Square Feet

General Comments

Span 1 **Beam 1**
Prestressed Concrete Girder

Element Number	Element Name	Total Qty	CS1 Qty	CS2 Qty	CS3 Qty	CS4 Qty	
109	Prestressed Concrete Open Girder/Beam	60	58	1	1	0	Feet

Element Number	Defect Type	Defect Description	CS	CS Qty	Maint Qty	
109	Delamination/Spall	West face of bottom flange at bent 1, spall [4in x 3.5in x up to 2in deep] with [1] exposed strand [no section loss]	3	1	1	Feet
109	Patched Area	East face of bottom flange at bent 1, sound patch [10in x 9in]	2	1		Feet

General Comments

Span 1 **Beam 2**
Prestressed Concrete Girder

Element Number	Element Name	Total Qty	CS1 Qty	CS2 Qty	CS3 Qty	CS4 Qty	
109	Prestressed Concrete Open Girder/Beam	60	55	3	2	0	Feet

Element Number	Defect Type	Defect Description	CS	CS Qty	Maint Qty	
109	Delamination/Spall	West side of bottom flange 25ft from End Bent 1, spall/delamination [17in x 5in x 1in deep] with [1] one exposed strand [no section loss]	3	2	2	Feet
109	Patched Area	East face of bottom flange at bent 1, sound patch [25in x up to 13in]	2	3		Feet

General Comments

Span 1 Beam 3

Prestressed Concrete Girder

Element Number	Element Name	Total Qty	CS1 Qty	CS2 Qty	CS3 Qty	CS4 Qty
109	Prestressed Concrete Open Girder/Beam	60	59	1	0	0 Feet

Element Number	Defect Type	Defect Description	CS	CS Qty	Maint Qty
109	Patched Area	East face of bottom flange at bent 1, sound patch [12in x 15in]	2	1	Feet

General Comments

Span 2 Deck

Reinforced Concrete Deck

Element Number	Element Name	Total Qty	CS1 Qty	CS2 Qty	CS3 Qty	CS4 Qty
12	Reinforced Concrete Deck	2,023	1,891	132	0	0 Square Feet

Element Number	Defect Type	Defect Description	CS	CS Qty	Maint Qty
12	Cracking (RC and Other)	right lane at bent 2, multiple longitudinal cracks [6ft x up to 1/32in]	2	18	18 Square Feet
12	Patched Areas	deck surface at bent 1 and bent 2, [2] two sound patches [up to 10ft x 1ft]	2	14	Square Feet
12	Delamination/Spall	throughout underside of both overhangs, multiple delaminations [up to 2.5ft x up to 1ft]	2	100	100 Square Feet

General Comments

Span 2 Beam 1

Prestressed Concrete Girder

Element Number	Element Name	Total Qty	CS1 Qty	CS2 Qty	CS3 Qty	CS4 Qty
109	Prestressed Concrete Open Girder/Beam	60	59	0	1	0 Feet

Element Number	Defect Type	Defect Description	CS	CS Qty	Maint Qty
109	Delamination/Spall	both faces of bottom flange at bent 2, [2] two spalls [up to 7in x 5in x up to 2in]	3	1	1 Feet

General Comments

Span 2 Beam 1 Far Bearing

Fixed Bearing

Element Number	Element Name	Total Qty	CS1 Qty	CS2 Qty	CS3 Qty	CS4 Qty
313	Fixed Bearing	1	0	1	0	0 Each
515	Steel Protective Coating	2	1	0	1	0 Square Feet

Element Number	Defect Type	Defect Description	CS	CS Qty	Maint Qty
313	Corrosion	throughout bearing, spot rust	2	1	Each
515	Effectiveness (Steel Protective Coatings)	throughout bearing, limited paint effectiveness with spot rust	3	1	1 Square Feet

General Comments

Span 2 Beam 2 Far Bearing

Fixed Bearing

Element Number	Element Name	Total Qty	CS1 Qty	CS2 Qty	CS3 Qty	CS4 Qty	
313	Fixed Bearing	1	0	1	0	0	Each
515	Steel Protective Coating	2	1	0	1	0	Square Feet

Element Number	Defect Type	Defect Description	CS	CS Qty	Maint Qty	
313	Corrosion	throughout bearing, spot rust	2	1		Each
515	Effectiveness (Steel Protective Coatings)	throughout bearing, limited paint effectiveness with spot rust	3	1	1	Square Feet

General Comments

Span 2 Beam 3

Prestressed Concrete Girder

Element Number	Element Name	Total Qty	CS1 Qty	CS2 Qty	CS3 Qty	CS4 Qty	
109	Prestressed Concrete Open Girder/Beam	60	58	2	0	0	Feet

Element Number	Defect Type	Defect Description	CS	CS Qty	Maint Qty	
109	Patched Area	SPAN 2 BOTTOM OF BEAM 3 AT BENT 2. HAS BEEN PATCHED [17in x full width], PATCH IS SOUND.	2	2		Feet

General Comments

Span 2 Beam 3 Far Bearing

Fixed Bearing

Element Number	Element Name	Total Qty	CS1 Qty	CS2 Qty	CS3 Qty	CS4 Qty	
313	Fixed Bearing	1	0	1	0	0	Each
515	Steel Protective Coating	2	1	0	1	0	Square Feet

Element Number	Defect Type	Defect Description	CS	CS Qty	Maint Qty	
313	Corrosion	throughout bearing, spot rust	2	1		Each
515	Effectiveness (Steel Protective Coatings)	throughout bearing, limited paint effectiveness with spot rust	3	1	1	Square Feet

General Comments

Span 2 Beam 4

Prestressed Concrete Girder

Element Number	Element Name	Total Qty	CS1 Qty	CS2 Qty	CS3 Qty	CS4 Qty	
109	Prestressed Concrete Open Girder/Beam	60	59	1	0	0	Feet

Element Number	Defect Type	Defect Description	CS	CS Qty	Maint Qty	
109	Patched Area	SPAN 2 BEAM 4 RIGHT BOTTOM FLANGE OVER BENT 1. HAS A PATCHED AREA WITH SCATTERED HAIRLINE CRACKS. AREA IS: 6" x 8". PATCH APPEARS TO BE SOUND.	2	1		Feet

General Comments

Span 3 Deck

Reinforced Concrete Deck

Element Number	Element Name	Total Qty	CS1 Qty	CS2 Qty	CS3 Qty	CS4 Qty
12	Reinforced Concrete Deck	2,023	1,891	132	0	0 Square Feet

Element Number	Defect Type	Defect Description	CS	CS Qty	Maint Qty
12	Patched Areas	deck surface in Southbound lane at bent 2 and bent 3, [2] two sound patches [8ft x 1ft]	2	16	Square Feet
12	Delamination/Spall	throughout underside of both overhangs, multiple delaminations [up to 2ft x 1ft] with associated cracks [up to 1/32in]	2	80	80 Square Feet
12	Cracking (RC and Other)	throughout surface, multiple longitudinal cracks [6ft x up to 1/32in]	2	36	36 Square Feet
General Comments					

Span 3 Beam 1

Prestressed Concrete Girder

Element Number	Element Name	Total Qty	CS1 Qty	CS2 Qty	CS3 Qty	CS4 Qty
109	Prestressed Concrete Open Girder/Beam	60	57	0	3	0 Feet

Element Number	Defect Type	Defect Description	CS	CS Qty	Maint Qty
109	Exposed Rebar	[PAR] bottom left flange at bent 2, spall [12in x 8in x 3in deep] with [2] two exposed rusted stirrup [up to 1/16in section loss]	3	1	1 Feet
109	Delamination/Spall	both faces of bottom flange at bent 2, [2] two spalls [up to 15in x 6in x up to 2.5in] with [3] three exposed strands [no section loss]	3	2	2 Feet
General Comments					

Span 3 Beam 2 Near Bearing

Fixed Bearing

Element Number	Element Name	Total Qty	CS1 Qty	CS2 Qty	CS3 Qty	CS4 Qty
313	Fixed Bearing	1	0	1	0	0 Each
515	Steel Protective Coating	2	1	0	1	0 Square Feet

Element Number	Defect Type	Defect Description	CS	CS Qty	Maint Qty
313	Corrosion	throughout bearing, spot rust	2	1	Each
515	Effectiveness (Steel Protective Coatings)	throughout bearing, limited paint effectiveness with spot rust	3	1	1 Square Feet
General Comments					

Span 3 Beam 2 Far Bearing

Fixed Bearing

Element Number	Element Name	Total Qty	CS1 Qty	CS2 Qty	CS3 Qty	CS4 Qty
313	Fixed Bearing	1	0	0	1	0 Each
515	Steel Protective Coating	2	2	0	0	0 Square Feet

Element Number	Defect Type	Defect Description	CS	CS Qty	Maint Qty
313	Corrosion	painted over pitting and pack rust [up to 1/8in]	3	1	1 Each

General Comments

Span 3 Beam 3

Prestressed Concrete Girder

Element Number	Element Name	Total Qty	CS1 Qty	CS2 Qty	CS3 Qty	CS4 Qty
109	Prestressed Concrete Open Girder/Beam	60	59	0	1	0 Feet

Element Number	Defect Type	Defect Description	CS	CS Qty	Maint Qty
109	Delamination/Spall	East face of bottom flange at bent 3, spall [6in x 7in x up to 2in deep] with [2] two exposed strands [no section loss]	3	1	1 Feet

General Comments

Span 3 Beam 3 Far Bearing

Fixed Bearing

Element Number	Element Name	Total Qty	CS1 Qty	CS2 Qty	CS3 Qty	CS4 Qty
313	Fixed Bearing	1	0	0	1	0 Each
515	Steel Protective Coating	2	0	0	0	2 Square Feet

Element Number	Defect Type	Defect Description	CS	CS Qty	Maint Qty
313	Corrosion	throughout bearing, active corrosion with section loss [up to 1/4in] and pack rust [up to 1/4in]	3	1	1 Each
515	Effectiveness (Steel Protective Coatings)	paint failure with active corrosion	4	2	2 Square Feet

General Comments

Span 3 Beam 4

Prestressed Concrete Girder

Element Number	Element Name	Total Qty	CS1 Qty	CS2 Qty	CS3 Qty	CS4 Qty
109	Prestressed Concrete Open Girder/Beam	60	58	1	1	0 Feet

Element Number	Defect Type	Defect Description	CS	CS Qty	Maint Qty
109	Delamination/Spall	West face of bottom flange at bent 3, spall [7in x up to 3in x up to 1.5in] with [2] two exposed strands [no section loss]	3	1	1 Feet
109	Patched Area	East face and underside of bottom flange at bent 3, [2] two sound patches [up to 7in x 7in]	2	1	Feet

General Comments

Span 3 Beam 4 Near Bearing

Fixed Bearing

Element Number	Element Name	Total Qty	CS1 Qty	CS2 Qty	CS3 Qty	CS4 Qty
313	Fixed Bearing	1	0	1	0	0 Each
515	Steel Protective Coating	2	1	0	1	0 Square Feet

Element Number	Defect Type	Defect Description	CS	CS Qty	Maint Qty
313	Corrosion	throughout bearing, spot rust	2	1	Each
515	Effectiveness (Steel Protective Coatings)	throughout bearing, limited paint effectiveness with spot rust	3	1	1 Square Feet

General Comments

Span 3 Beam 4 Far Bearing

Fixed Bearing

Element Number	Element Name	Total Qty	CS1 Qty	CS2 Qty	CS3 Qty	CS4 Qty	
313	Fixed Bearing	1	0	0	1	0	Each
515	Steel Protective Coating	2	0	0	0	2	Square Feet

Element Number	Defect Type	Defect Description	CS	CS Qty	Maint Qty	
313	Corrosion	throughout bearing, active corrosion with section loss [up to 1/4in] and pack rust [up to 1/4in]	3	1	1	Each
313	Connection	West lateral guide bar missing	2			Each
515	Effectiveness (Steel Protective Coatings)	paint failure with active corrosion	4	2	2	Square Feet

General Comments

Span 4 Deck

Reinforced Concrete Deck

Element Number	Element Name	Total Qty	CS1 Qty	CS2 Qty	CS3 Qty	CS4 Qty	
12	Reinforced Concrete Deck	2,023	1,945	63	15	0	Square Feet

Element Number	Defect Type	Defect Description	CS	CS Qty	Maint Qty	
12	Delamination/Spall	underside in bay 2 at 12ft from bent 4, spall [12in diameter x up to 2in deep] with [1] one exposed rusted reinforcing [no section loss]	3	1	1	Square Feet
12	Delamination/Spall	underside of left overhang 10ft from bent 4, spall [52in x 32in x 1.55in deep] with painted over exposed rusted rebar [no section loss]	3	14	14	Square Feet
12	Cracking (RC and Other)	throughout underside at random, multiple delaminations [up to 1ft diameter]	2	25	25	Square Feet
12	Patched Areas	deck surface at bent 3, multiple sound patches [up to 8ft x up to 1ft]	2	14		Square Feet
12	Cracking (RC and Other)	throughout surface, multiple longitudinal cracks [4ft x up to 1/32in]	2	24	24	Square Feet

General Comments

Span 4 Beam 1

Prestressed Concrete Girder

Element Number	Element Name	Total Qty	CS1 Qty	CS2 Qty	CS3 Qty	CS4 Qty	
109	Prestressed Concrete Open Girder/Beam	60	59	1	0	0	Feet

Element Number	Defect Type	Defect Description	CS	CS Qty	Maint Qty	
109	Patched Area	East face of bottom flange over bent 4, sound patch [11in x 13in]	2	1		Feet

General Comments

Span 4 Beam 1 Far Bearing

Fixed Bearing

Element Number	Element Name	Total Qty	CS1 Qty	CS2 Qty	CS3 Qty	CS4 Qty
313	Fixed Bearing	1	0	0	1	0 Each
515	Steel Protective Coating	2	1	0	0	1 Square Feet

Element Number	Defect Type	Defect Description	CS	CS Qty	Maint Qty
313	Corrosion	throughout bearing, painted over pitting [up to 1/8in] and pack rust [up to 1/8in]	3	1	1 Each
515	Effectiveness (Steel Protective Coatings)	paint failure with pack rust	4	1	1 Square Feet

General Comments

Span 4 Beam 2

Prestressed Concrete Girder

Element Number	Element Name	Total Qty	CS1 Qty	CS2 Qty	CS3 Qty	CS4 Qty
109	Prestressed Concrete Open Girder/Beam	60	58	1	1	0 Feet

Element Number	Defect Type	Defect Description	CS	CS Qty	Maint Qty
109	Delamination/Spall	East face of bottom flange at far end, spall [6in x up to 4in x up to 2in deep]	3	1	1 Feet
109	Patched Area	8" LONG X 8" TALL NEW PATCH ON BOTTOM LEFT FLANGE AT BENT 3	2	1	Feet
109	Delamination/Spall	West face of bottom flange at bent 3, spall [7in x 6in x up to 2in deep] with [2] two exposed rusted strands [up to 1/16in section loss] (REPAIRED PRIOR TO 2022 INSPECTION)	1	1	Feet

General Comments

Span 4 Beam 2 Near Bearing

Fixed Bearing

Element Number	Element Name	Total Qty	CS1 Qty	CS2 Qty	CS3 Qty	CS4 Qty
313	Fixed Bearing	1	0	0	1	0 Each
515	Steel Protective Coating	2	1	1	0	0 Square Feet

Element Number	Defect Type	Defect Description	CS	CS Qty	Maint Qty
313	Corrosion	throughout bearing, painted over pitting [up to 1/8in] with spot rust	3	1	1 Each
515	Effectiveness (Steel Protective Coatings)	limited paint effectiveness with spot rust	2	1	1 Square Feet

General Comments

Span 4 Beam 2 Far Bearing

Fixed Bearing

Element Number	Element Name	Total Qty	CS1 Qty	CS2 Qty	CS3 Qty	CS4 Qty
313	Fixed Bearing	1	0	0	1	0 Each
515	Steel Protective Coating	2	1	0	0	1 Square Feet

Element Number	Defect Type	Defect Description	CS	CS Qty	Maint Qty
----------------	-------------	--------------------	----	--------	-----------

Structure Number: 070007Inspection Date: 03/03/2022

313	Corrosion	throughout bearing, painted over pitting [up to 1/4in] and pack rust [up to 1/4in]	3	1	1	Each
515	Effectiveness (Steel Protective Coatings)	paint failure with pack rust	4	1	1	Square Feet
General Comments						

Span 4 Beam 3

Prestressed Concrete Girder

Element Number	Element Name	Total Qty	CS1 Qty	CS2 Qty	CS3 Qty	CS4 Qty
109	Prestressed Concrete Open Girder/Beam	60	57	2	1	0 Feet

Element Number	Defect Type	Defect Description	CS	CS Qty	Maint Qty
109	Delamination/Spall	underside of bottom flange at bent 3, [2] two spalls [up to 6in x 6in x 1/2in deep]	3	1	1 Feet
109	Patched Area	both face and underside at bent 4, multiple sound patches [up to 13in x 11in]	2	2	Feet

General Comments

Span 4 Beam 3 Near Bearing

Fixed Bearing

Element Number	Element Name	Total Qty	CS1 Qty	CS2 Qty	CS3 Qty	CS4 Qty
313	Fixed Bearing	1	0	1	0	0 Each
515	Steel Protective Coating	2	1	0	1	0 Square Feet

Element Number	Defect Type	Defect Description	CS	CS Qty	Maint Qty
313	Corrosion	throughout bearing, painted over pitting [up to 1/4in] with spot rust	2	1	Each
515	Effectiveness (Steel Protective Coatings)	limited paint effectiveness with spot rust	3	1	1 Square Feet

General Comments

Span 4 Beam 3 Far Bearing

Fixed Bearing

Element Number	Element Name	Total Qty	CS1 Qty	CS2 Qty	CS3 Qty	CS4 Qty
313	Fixed Bearing	1	0	0	1	0 Each
515	Steel Protective Coating	2	0	0	0	2 Square Feet

Element Number	Defect Type	Defect Description	CS	CS Qty	Maint Qty
313	Corrosion	throughout bearing, active corrosion with section loss [up to 1/8in] and pack rust [up to 1/8in]	3	1	1 Each
515	Effectiveness (Steel Protective Coatings)	paint failure with active corrosion	4	2	2 Square Feet

General Comments

Span 4 Beam 4

Prestressed Concrete Girder

Element Number	Element Name	Total Qty	CS1 Qty	CS2 Qty	CS3 Qty	CS4 Qty
109	Prestressed Concrete Open Girder/Beam	60	59	1	0	0 Feet

Element Number	Defect Type	Defect Description	CS	CS Qty	Maint Qty
109	Patched Area	10" LONG X 8" TALL NEW PATCH ON BOTTOM LEFT FLANGE AT BENT 3	2	1	Feet
109	Delamination/Spall	West face of bottom flange at bent 3, spall [10in x 11in x up to 2in deep] with [3] three exposed rusted strands [up to 1/16in section loss] (REPAIRED PRIOR TO 2022 INSPECTION)	1	1	Feet

General Comments

West edge of bottom flange steel plate, active corrosion with section loss [up to 100%]

Span 4 Beam 4 Near Bearing

Fixed Bearing

Element Number	Element Name	Total Qty	CS1 Qty	CS2 Qty	CS3 Qty	CS4 Qty
313	Fixed Bearing	1	0	1	0	0 Each
515	Steel Protective Coating	2	1	0	1	0 Square Feet

Element Number	Defect Type	Defect Description	CS	CS Qty	Maint Qty
313	Corrosion	throughout bearing, painted over pitting [up to 1/4in] with spot rust	2	1	Each
515	Effectiveness (Steel Protective Coatings)	limited paint effectiveness with spot rust	3	1	1 Square Feet

General Comments

Span 4 Beam 4 Far Bearing

Fixed Bearing

Element Number	Element Name	Total Qty	CS1 Qty	CS2 Qty	CS3 Qty	CS4 Qty
313	Fixed Bearing	1	0	0	1	0 Each
515	Steel Protective Coating	2	0	0	0	2 Square Feet

Element Number	Defect Type	Defect Description	CS	CS Qty	Maint Qty
313	Corrosion	throughout bearing, active corrosion with section loss [up to 1/16in]	3	1	1 Each
515	Effectiveness (Steel Protective Coatings)	paint failure with active corrosion	4	2	2 Square Feet

General Comments

Span 5 Deck

Reinforced Concrete Deck

Element Number	Element Name	Total Qty	CS1 Qty	CS2 Qty	CS3 Qty	CS4 Qty
12	Reinforced Concrete Deck	2,023	1,813	210	0	0 Square Feet

Element Number	Defect Type	Defect Description	CS	CS Qty	Maint Qty
12	Cracking (RC and Other)	throughout surface, multiple longitudinal cracks and transverse cracks [up to 12ft x up to 1/32in]	2	160	160 Square Feet
12	Cracking (RC and Other)	throughout underside at random, multiple delaminations [up to 1ft diameter]	2	30	30 Square Feet

12	Patched Areas	deck surface at bent 4 and bent 5, multiple sound patches [up to 12ft x up to 1ft]	2	20	Square Feet
----	---------------	--	---	----	-------------

General Comments

Span 5 Beam 1

Prestressed Concrete Girder

Element Number	Element Name	Total Qty	CS1 Qty	CS2 Qty	CS3 Qty	CS4 Qty	
109	Prestressed Concrete Open Girder/Beam	60	58	1	1	0	Feet

Element Number	Defect Type	Defect Description	CS	CS Qty	Maint Qty	
109	Delamination/Spall	West face of bottom flange at bent 4, spall [7in x 6in x up to 2in deep] with [2] two exposed rusted strands [no section loss]	3	1	1	Feet
109	Patched Area	12" LONG X 15" TALL NEW PATCH ON BOTTOM LEFT FLANGE AT BENT 5	2	1		Feet
109	Patched Area	East face of bottom flange over bent 5, sound patch [9in x 7in]	2			Feet
109	Delamination/Spall	left side of bottom flange at bent 5, spall [11in x 10in x up to 4in deep] with [3] three exposed rusted strands [up to 1/16in section loss] (REPAIRED PRIOR TO 2022 INSPECTION)	1	1		Feet

General Comments

Span 5 Beam 1 Near Bearing

Fixed Bearing

Element Number	Element Name	Total Qty	CS1 Qty	CS2 Qty	CS3 Qty	CS4 Qty	
313	Fixed Bearing	1	0	1	0	0	Each
515	Steel Protective Coating	2	0	0	0	2	Square Feet

Element Number	Defect Type	Defect Description	CS	CS Qty	Maint Qty	
313	Corrosion	throughout bearing, active corrosion [no section loss]	2	1		Each
515	Effectiveness (Steel Protective Coatings)	paint failure with active corrosion	4	2	2	Square Feet

General Comments

Span 5 Beam 2

Prestressed Concrete Girder

Element Number	Element Name	Total Qty	CS1 Qty	CS2 Qty	CS3 Qty	CS4 Qty	
109	Prestressed Concrete Open Girder/Beam	60	58	2	0	0	Feet

Element Number	Defect Type	Defect Description	CS	CS Qty	Maint Qty	
109	Patched Area	6" LONG X 6" TALL NEW PATCH ON BOTTOM RIGHT FLANGE AT BENT 4	2	1		Feet
109	Patched Area	West face of bottom flange at bent 4, sound patch [16in x 12in]	2	1		Feet
109	Delamination/Spall	right side of bottom flange at bent 4, spall/delamination [8in x 4in x up to 1.5in deep] with [1] one exposed rusted strand [up to 1/16in section loss] (REPAIRED PRIOR TO 2022 INSPECTION)	1	1		Feet

General Comments

Span 5 Beam 2 Near Bearing

Fixed Bearing

Element Number	Element Name	Total Qty	CS1 Qty	CS2 Qty	CS3 Qty	CS4 Qty
313	Fixed Bearing	1	0	1	0	0 Each
515	Steel Protective Coating	2	1	0	1	0 Square Feet

Element Number	Defect Type	Defect Description	CS	CS Qty	Maint Qty
313	Corrosion	throughout bearing, painted over pitting [up to 1/4in] with spot rust	2	1	Each
515	Effectiveness (Steel Protective Coatings)	limited paint effectiveness with spot rust	3	1	1 Square Feet

General Comments

Span 5 Beam 2 Far Bearing

Fixed Bearing

Element Number	Element Name	Total Qty	CS1 Qty	CS2 Qty	CS3 Qty	CS4 Qty
313	Fixed Bearing	1	0	1	0	0 Each
515	Steel Protective Coating	2	1	0	1	0 Square Feet

Element Number	Defect Type	Defect Description	CS	CS Qty	Maint Qty
313	Corrosion	throughout bearing, spot rust	2	1	Each
515	Effectiveness (Steel Protective Coatings)	limited paint effectiveness with spot rust	3	1	1 Square Feet

General Comments

Span 5 Beam 3

Prestressed Concrete Girder

Element Number	Element Name	Total Qty	CS1 Qty	CS2 Qty	CS3 Qty	CS4 Qty
109	Prestressed Concrete Open Girder/Beam	60	59	0	1	0 Feet

Element Number	Defect Type	Defect Description	CS	CS Qty	Maint Qty
109	Delamination/Spall	East face of bottom flange at bent 4, spall [6in x 5in x 1.5in] with [1] one exposed strand [no section loss]	3	1	1 Feet

General Comments

Span 5 Beam 3 Near Bearing

Fixed Bearing

Element Number	Element Name	Total Qty	CS1 Qty	CS2 Qty	CS3 Qty	CS4 Qty
313	Fixed Bearing	1	0	1	0	0 Each
515	Steel Protective Coating	2	1	0	1	0 Square Feet

Element Number	Defect Type	Defect Description	CS	CS Qty	Maint Qty
313	Corrosion	throughout bearing, painted over pitting [up to 1/4in] spot rust	2	1	Each
515	Effectiveness (Steel Protective Coatings)	limited paint effectiveness with spot rust	3	1	1 Square Feet

General Comments

Span 5 Beam 3 Far Bearing

Fixed Bearing

Element Number	Element Name	Total Qty	CS1 Qty	CS2 Qty	CS3 Qty	CS4 Qty
313	Fixed Bearing	1	0	0	1	0 Each
515	Steel Protective Coating	2	0	0	0	2 Square Feet

Element Number	Defect Type	Defect Description	CS	CS Qty	Maint Qty
313	Corrosion	throughout bearing, active corrosion with section loss [up to 1/16in] and pack rust [up to 1/8in]	3	1	1 Each
515	Effectiveness (Steel Protective Coatings)	paint failure with active corrosion	4	2	2 Square Feet
General Comments					

Span 5 Beam 4 Near Bearing

Fixed Bearing

Element Number	Element Name	Total Qty	CS1 Qty	CS2 Qty	CS3 Qty	CS4 Qty
313	Fixed Bearing	1	0	0	1	0 Each
515	Steel Protective Coating	2	1	0	1	0 Square Feet

Element Number	Defect Type	Defect Description	CS	CS Qty	Maint Qty
313	Corrosion	throughout bearing, painted over pitting [up to 1/4in] with spot rust	3	1	1 Each
515	Effectiveness (Steel Protective Coatings)	limited paint effectiveness with spot rust	3	1	1 Square Feet
General Comments					

Span 5 Beam 4 Far Bearing

Fixed Bearing

Element Number	Element Name	Total Qty	CS1 Qty	CS2 Qty	CS3 Qty	CS4 Qty
313	Fixed Bearing	1	0	1	0	0 Each
515	Steel Protective Coating	2	1	0	1	0 Square Feet

Element Number	Defect Type	Defect Description	CS	CS Qty	Maint Qty
313	Corrosion	throughout bearing, spot rust	2	1	Each
515	Effectiveness (Steel Protective Coatings)	limited effectiveness with spot rust	3	1	1 Square Feet
General Comments					

Span 6 Deck

Reinforced Concrete Deck

Element Number	Element Name	Total Qty	CS1 Qty	CS2 Qty	CS3 Qty	CS4 Qty
12	Reinforced Concrete Deck	2,023	1,804	215	4	0 Square Feet

Element Number	Defect Type	Defect Description	CS	CS Qty	Maint Qty
12	Delamination/Spall	underside of right overhang at 14ft from bent 5, spall [22in x up to 18in x up to 3in deep] with exposed rusted reinforcing [up to 1/16in section loss]	3	4	4 Square Feet

Structure Number: 070007Inspection Date: 03/03/2022

12	Patched Areas	deck surface at bent 5 and bent 6, multiple sound patches [up to 12ft x up to 2ft]	2	25		Square Feet
12	Cracking (RC and Other)	throughout surface, multiple longitudinal cracks [8ft x up to 1/32in]	2	160	160	Square Feet
12	Delamination/Spall	throughout underside at random, multiple delaminations [up to 12in x 10in]	2	30	30	Square Feet

General Comments

Span 6

Beam 1

Prestressed Concrete Girder

Element Number	Element Name	Total Qty	CS1 Qty	CS2 Qty	CS3 Qty	CS4 Qty	
109	Prestressed Concrete Open Girder/Beam	60	56	1	3	0	Feet

Element Number	Defect Type	Defect Description	CS	CS Qty	Maint Qty	
109	Cracking (PSC)	underside of bottom flange at bent 6, delamination [7in x 4in] with adjacent crack [up to 1/16in]	3	3	3	Feet
109	Patched Area	12" LONG X 15" TALL NEW PATCH ON BOTTOM LEFT FLANGE AT BENT 5	2	1		Feet
109	Delamination/Spall	West face of bottom flange at bent 5, spall [7in x 6in x 2.25in deep] with [2] two exposed rusted strands [up to 1/16in section loss] (REPAIRED PRIOR TO 2022 INSPECTION)	1	1		Feet

General Comments

Span 6

Beam 1 Far Bearing

Fixed Bearing

Element Number	Element Name	Total Qty	CS1 Qty	CS2 Qty	CS3 Qty	CS4 Qty	
313	Fixed Bearing	1	0	1	0	0	Each
515	Steel Protective Coating	2	2	0	0	0	Square Feet

Element Number	Defect Type	Defect Description	CS	CS Qty	Maint Qty	
313	Corrosion	throughout bearing, painted over pack rust [up to 1/8in]	2	1		Each

General Comments

Span 6

Beam 2

Prestressed Concrete Girder

Element Number	Element Name	Total Qty	CS1 Qty	CS2 Qty	CS3 Qty	CS4 Qty	
109	Prestressed Concrete Open Girder/Beam	60	57	3	0	0	Feet

Element Number	Defect Type	Defect Description	CS	CS Qty	Maint Qty	
109	Patched Area	West face of bottom flange at bent 5, sound patch [9in x 8in]	2	1		Feet
109	Patched Area	24" LONG X 18" TALL NEW PATCH ON BOTTOM RIGHT FLANGE AT BENT 6	2	2		Feet
109	Delamination/Spall	East face of bottom flange at bent 6, spall [up to 20in x up to 12in x up to 3in deep] with [3] three exposed rusted strands [up to 1/16in section loss] (REPAIRED PRIOR TO 2022 INSPECTION)	1	2		Feet

General Comments

Span 6 Beam 2 Near Bearing

Fixed Bearing

Element Number	Element Name	Total Qty	CS1 Qty	CS2 Qty	CS3 Qty	CS4 Qty	
313	Fixed Bearing	1	0	1	0	0	Each
515	Steel Protective Coating	2	1	0	1	0	Square Feet

Element Number	Defect Type	Defect Description	CS	CS Qty	Maint Qty	
313	Corrosion	throughout bearing, spot rust	2	1		Each
515	Effectiveness (Steel Protective Coatings)	limited effectiveness with spot rust	3	1	1	Square Feet

General Comments

Span 6 Beam 2 Far Bearing

Fixed Bearing

Element Number	Element Name	Total Qty	CS1 Qty	CS2 Qty	CS3 Qty	CS4 Qty	
313	Fixed Bearing	1	0	0	1	0	Each
515	Steel Protective Coating	2	0	0	0	2	Square Feet

Element Number	Defect Type	Defect Description	CS	CS Qty	Maint Qty	
313	Corrosion	throughout bearing, active corrosion with painted over pack rust [up to 1/4in]	3	1	1	Each
515	Effectiveness (Steel Protective Coatings)	paint failure with active corrosion	4	2	2	Square Feet

General Comments

Span 6 Beam 3

Prestressed Concrete Girder

Element Number	Element Name	Total Qty	CS1 Qty	CS2 Qty	CS3 Qty	CS4 Qty	
109	Prestressed Concrete Open Girder/Beam	60	59	1	0	0	Feet

Element Number	Defect Type	Defect Description	CS	CS Qty	Maint Qty	
109	Patched Area	6" LONG X 2" WIDE NEW PATCH ON UNDERSIDE OF BOTTOM FLANGE AT BENT 6	2	1		Feet
109	Delamination/Spall	underside of bottom flange at bent 6, spall/delamination [11in x 4in x up to 3/4in deep] with [1] one exposed rusted stirrup [up to 1/16in section loss] (REPAIRED PRIOR TO 2022 INSPECTION)	1	1		Feet

General Comments

Span 6 Beam 3 Near Bearing

Fixed Bearing

Element Number	Element Name	Total Qty	CS1 Qty	CS2 Qty	CS3 Qty	CS4 Qty	
313	Fixed Bearing	1	0	1	0	0	Each
515	Steel Protective Coating	2	1	0	1	0	Square Feet

Element Number	Defect Type	Defect Description	CS	CS Qty	Maint Qty	
313	Corrosion	throughout bearing, spot rust	2	1		Each

515	Effectiveness (Steel Protective Coatings)	limited paint effectiveness with spot rust	3	1	1	Square Feet
General Comments						

Span 6 **Beam 3 Far Bearing**
Fixed Bearing

Element Number	Element Name	Total Qty	CS1 Qty	CS2 Qty	CS3 Qty	CS4 Qty
313	Fixed Bearing	1	0	0	1	0 Each
515	Steel Protective Coating	2	0	0	0	2 Square Feet

Element Number	Defect Type	Defect Description	CS	CS Qty	Maint Qty
313	Corrosion	throughout bearing, active corrosion with painted over pack rust [up to 1/4in]	3	1	1 Each
313	Loss of Bearing Area	PAR: 18" WIDE X 6" DEEP TRIANGULAR AREA OF LOSS OF BEARING AT BENT 6 CAP DUE TO LARGE SPALL ON SOUTH FACE OF CAP	3		1 Each
515	Effectiveness (Steel Protective Coatings)	paint failure with active corrosion	4	2	2 Square Feet

General Comments

Span 6 **Beam 4**
Prestressed Concrete Girder

Element Number	Element Name	Total Qty	CS1 Qty	CS2 Qty	CS3 Qty	CS4 Qty
109	Prestressed Concrete Open Girder/Beam	60	59	1	0	0 Feet

Element Number	Defect Type	Defect Description	CS	CS Qty	Maint Qty
109	Patched Area	10" LONG X 8" TALL NEW PATCH ON BOTTOM LEFT FLANGE AT BENT 6	2	1	Feet
109	Delamination/Spall	West face of bottom flange and underside at bent 6, [2] two spalls/delaminations [up to 8in x up to 5in x up to 2.5in deep] with [2] two exposed rusted strands [up to 1/16in section loss] (REPAIRED PRIOR TO 2022 INSPECTION)	1	1	Feet

General Comments

Span 6 **Beam 4 Far Bearing**
Fixed Bearing

Element Number	Element Name	Total Qty	CS1 Qty	CS2 Qty	CS3 Qty	CS4 Qty
313	Fixed Bearing	1	0	0	1	0 Each
515	Steel Protective Coating	2	0	0	0	2 Square Feet

Element Number	Defect Type	Defect Description	CS	CS Qty	Maint Qty
313	Corrosion	throughout bearing, active corrosion with painted over pack rust [up to 1/8in]	3	1	1 Each
515	Effectiveness (Steel Protective Coatings)	paint failure with active corrosion	4	2	2 Square Feet

General Comments

Span 7 Deck

Reinforced Concrete Deck

Element Number	Element Name	Total Qty	CS1 Qty	CS2 Qty	CS3 Qty	CS4 Qty
12	Reinforced Concrete Deck	2,023	1,577	446	0	0 Square Feet

Element Number	Defect Type	Defect Description	CS	CS Qty	Maint Qty
12	Efflorescence/Rust Staining	throughout underside in all bays near bent 7, multiple diagonal cracks [up to 3ft x hairline] with efflorescence	2	8	Square Feet
12	Patched Areas	SPAN 7 TOP OF DECK RIGHT LANE AT JOINT 6. HAS A PATCHED AREA [2ft x 2ft] THAT IS SOUND.	2	4	Square Feet
12	Cracking (RC and Other)	throughout surface, multiple longitudinal cracks [up to 2ft x up to 1/32in]	2	24	24 Square Feet
12	Delamination/Spall	throughout underside, areas of scaling and delamination [up to 2ft diameter]	2	400	400 Square Feet
12	Efflorescence/Rust Staining	underside in bay 3 at 14ft from bent 7, patched area with formwork in place and efflorescence seepage around forms	2	2	Square Feet
12	Patched Areas	SPAN 7 TOP OF DECK LEFT LANE. HAS A PATCHED AREA [4ft x 2ft] WITH SCATTERED HAIRLINE CRACKS. PATCH APPEARS TO BE SOUND.	2	8	Square Feet

General Comments

Span 7 Beam 1

Prestressed Concrete Girder

Element Number	Element Name	Total Qty	CS1 Qty	CS2 Qty	CS3 Qty	CS4 Qty
109	Prestressed Concrete Open Girder/Beam	60	59	0	1	0 Feet

Element Number	Defect Type	Defect Description	CS	CS Qty	Maint Qty
109	Cracking (PSC)	West face of bottom flange at bent 6, delamination [4in x 10in] with associated cracks [up to 1/32in]	3	1	1 Feet

General Comments

Span 7 Beam 1 Near Bearing

Fixed Bearing

Element Number	Element Name	Total Qty	CS1 Qty	CS2 Qty	CS3 Qty	CS4 Qty
313	Fixed Bearing	1	0	1	0	0 Each
515	Steel Protective Coating	2	2	0	0	0 Square Feet

Element Number	Defect Type	Defect Description	CS	CS Qty	Maint Qty
313	Corrosion	throughout bearing, active corrosion with painted over pitting [up to 1/4in]	2	1	Each

General Comments

Span 7 Beam 1 Far Bearing

Fixed Bearing

Element Number	Element Name	Total Qty	CS1 Qty	CS2 Qty	CS3 Qty	CS4 Qty
313	Fixed Bearing	1	0	0	1	0 Each
515	Steel Protective Coating	2	0	0	0	2 Square Feet

Element Number	Defect Type	Defect Description	CS	CS Qty	Maint Qty
----------------	-------------	--------------------	----	--------	-----------

Structure Number: 070007

Inspection Date: 03/03/2022

313	Corrosion	throughout bearing, painted over pitting [up to 1/4in] and pack rust [up to 1/4in] with reactivated surface corrosion	3	1	1	Each
515	Effectiveness (Steel Protective Coatings)	paint failure with active corrosion	4	2	2	Square Feet

General Comments

Span 7 Beam 2 Near Bearing

Fixed Bearing

Element Number	Element Name	Total Qty	CS1 Qty	CS2 Qty	CS3 Qty	CS4 Qty
313	Fixed Bearing	1	0	1	0	0 Each
515	Steel Protective Coating	2	2	0	0	0 Square Feet

Element Number	Defect Type	Defect Description	CS	CS Qty	Maint Qty
313	Corrosion	throughout bearing, painted over pitting [up to 1/4in]	2	1	Each

General Comments

Span 7 Beam 2 Far Bearing

Fixed Bearing

Element Number	Element Name	Total Qty	CS1 Qty	CS2 Qty	CS3 Qty	CS4 Qty
313	Fixed Bearing	1	0	0	1	0 Each
515	Steel Protective Coating	2	0	0	0	2 Square Feet

Element Number	Defect Type	Defect Description	CS	CS Qty	Maint Qty
313	Corrosion	throughout bearing, painted over pitting [up to 1/4in] and pack rust [up to 1/4in] with reactivated surface corrosion	3	1	1 Each
515	Effectiveness (Steel Protective Coatings)	paint failure with active corrosion	4	2	2 Square Feet

General Comments

Span 7 Beam 3

Prestressed Concrete Girder

Element Number	Element Name	Total Qty	CS1 Qty	CS2 Qty	CS3 Qty	CS4 Qty
109	Prestressed Concrete Open Girder/Beam	60	59	1	0	0 Feet

Element Number	Defect Type	Defect Description	CS	CS Qty	Maint Qty
109	Patched Area	10" LONG X 10" TALL NEW PATCH ON BOTTOM RIGHT FLANGE AT BENT 7	2	1	Feet
109	Delamination/Spall	East face of bottom flange at bent 7, spall [11in x up to 6.5in x up to 2.25in deep] with [2] two exposed rusted strands [up to 1/16in section loss] (REPAIRED PRIOR TO 2022 INSPECTION)	1		Feet

General Comments

Span 7 Beam 3 Near Bearing

Fixed Bearing

Element Number	Element Name	Total Qty	CS1 Qty	CS2 Qty	CS3 Qty	CS4 Qty	
313	Fixed Bearing	1	0	1	0	0	Each
515	Steel Protective Coating	2	2	0	0	0	Square Feet

Element Number	Defect Type	Defect Description	CS	CS Qty	Maint Qty	
313	Corrosion	throughout bearing, painted over pitting [up to 1/4in]	2	1		Each

General Comments

Span 7 Beam 3 Far Bearing

Fixed Bearing

Element Number	Element Name	Total Qty	CS1 Qty	CS2 Qty	CS3 Qty	CS4 Qty	
313	Fixed Bearing	1	0	1	0	0	Each
515	Steel Protective Coating	2	2	0	0	0	Square Feet

Element Number	Defect Type	Defect Description	CS	CS Qty	Maint Qty	
313	Corrosion	throughout bearing, painted over pitting [up to 1/4in]	2	1		Each

General Comments

Span 7 Beam 4 Near Bearing

Fixed Bearing

Element Number	Element Name	Total Qty	CS1 Qty	CS2 Qty	CS3 Qty	CS4 Qty	
313	Fixed Bearing	1	0	1	0	0	Each
515	Steel Protective Coating	2	2	0	0	0	Square Feet

Element Number	Defect Type	Defect Description	CS	CS Qty	Maint Qty	
313	Corrosion	throughout bearing, painted over pitting [up to 1/4in]	2	1		Each

General Comments

Span 7 Beam 4 Far Bearing

Fixed Bearing

Element Number	Element Name	Total Qty	CS1 Qty	CS2 Qty	CS3 Qty	CS4 Qty	
313	Fixed Bearing	1	0	0	1	0	Each
515	Steel Protective Coating	2	1	0	0	1	Square Feet

Element Number	Defect Type	Defect Description	CS	CS Qty	Maint Qty	
313	Corrosion	throughout bearing, painted over pitting [up to 1/4in] and pack rust [up to 1/4in] with reactivated surface corrosion	3	1	1	Each
515	Effectiveness (Steel Protective Coatings)	throughout bearing, reactivated surface corrosion	4	1	1	Square Feet

General Comments

Span 7 Expansion Joint over Bent 6

Standard Joint

Element Number	Element Name	Total Qty	CS1 Qty	CS2 Qty	CS3 Qty	CS4 Qty
301	Pourable Joint Seal	34	33	0	0	1 Feet

Element Number	Defect Type	Defect Description	CS	CS Qty	Maint Qty
301	Seal Adhesion	at centerline, loss of seal adhesion [6in x full depth]	4	1	1 Feet

General Comments

Span 8 Deck

Reinforced Concrete Deck

Element Number	Element Name	Total Qty	CS1 Qty	CS2 Qty	CS3 Qty	CS4 Qty
12	Reinforced Concrete Deck	2,023	1,671	352	0	0 Square Feet

Element Number	Defect Type	Defect Description	CS	CS Qty	Maint Qty
12	Delamination/Spall	throughout underside, areas of scaling and delamination [up to 6in diameter] with scattered hairline map cracking	2	300	300 Square Feet
12	Cracking (RC and Other)	throughout surface, multiple longitudinal cracks [2ft x up to 1/32in]	2	20	20 Square Feet
12	Patched Areas	deck surface at bent 7 and bent 8, multiple sound patches [up to 4ft x 2ft]	2	32	Square Feet

General Comments

Span 8 Beam 1

Prestressed Concrete Girder

Element Number	Element Name	Total Qty	CS1 Qty	CS2 Qty	CS3 Qty	CS4 Qty
109	Prestressed Concrete Open Girder/Beam	60	58	1	1	0 Feet

Element Number	Defect Type	Defect Description	CS	CS Qty	Maint Qty
109	Cracking (PSC)	underside of bottom flange at bent 8, [2] two delaminations [up to 3in x 3in] with adjacent cracks [up to 0.018in]	3	1	1 Feet
109	Patched Area	West face of bottom flange at bent 8, sound patch [8in x 6in]	2	1	Feet

General Comments

Span 8 Beam 1 Near Bearing

Fixed Bearing

Element Number	Element Name	Total Qty	CS1 Qty	CS2 Qty	CS3 Qty	CS4 Qty
313	Fixed Bearing	1	0	1	0	0 Each
515	Steel Protective Coating	2	1	0	1	0 Square Feet

Element Number	Defect Type	Defect Description	CS	CS Qty	Maint Qty
313	Corrosion	throughout bearing, painted over pitting [up to 1/4in] with reactivated spot rust	2	1	Each
515	Effectiveness (Steel Protective Coatings)	limited paint effectiveness with spot rust	3	1	1 Square Feet

General Comments

Span 8

Beam 2

Prestressed Concrete Girder

Element Number	Element Name	Total Qty	CS1 Qty	CS2 Qty	CS3 Qty	CS4 Qty
109	Prestressed Concrete Open Girder/Beam	60	55	4	1	0 Feet

Element Number	Defect Type	Defect Description	CS	CS Qty	Maint Qty
109	Cracking (PSC)	underside of bottom flange at bent 8, [2] two delaminations [up to 6in x 4in] with adjacent cracks [up to 0.018in]	3	1	1 Feet
109	Patched Area	both faces of bottom flange and underside at bent 8, sound patch [full width x up to 18in]	2	3	Feet
109	Delamination/Spall	West face of bottom flange at bent 8, delamination/spall [4in x 4in x up to 1in deep]	2	1	1 Feet

General Comments

Span 8

Beam 2 Near Bearing

Fixed Bearing

Element Number	Element Name	Total Qty	CS1 Qty	CS2 Qty	CS3 Qty	CS4 Qty
313	Fixed Bearing	1	0	1	0	0 Each
515	Steel Protective Coating	2	1	0	1	0 Square Feet

Element Number	Defect Type	Defect Description	CS	CS Qty	Maint Qty
313	Corrosion	throughout bearing, painted over pitting [up to 1/8in] with reactivated spot rust	2	1	Each
515	Effectiveness (Steel Protective Coatings)	limited paint effectiveness with spot rust	3	1	1 Square Feet

General Comments

Span 8

Beam 2 Far Bearing

Fixed Bearing

Element Number	Element Name	Total Qty	CS1 Qty	CS2 Qty	CS3 Qty	CS4 Qty
313	Fixed Bearing	1	0	0	1	0 Each
515	Steel Protective Coating	2	0	0	0	2 Square Feet

Element Number	Defect Type	Defect Description	CS	CS Qty	Maint Qty
313	Corrosion	throughout bearing, active surface corrosion with section loss [up to 1/8in] and pack rust [up to 1/8in]	3	1	1 Each
515	Effectiveness (Steel Protective Coatings)	paint failure with active corrosion	4	2	2 Square Feet

General Comments

Span 8

Beam 3

Prestressed Concrete Girder

Element Number	Element Name	Total Qty	CS1 Qty	CS2 Qty	CS3 Qty	CS4 Qty
109	Prestressed Concrete Open Girder/Beam	60	56	3	1	0 Feet

Element Number	Defect Type	Defect Description	CS	CS Qty	Maint Qty
109	Cracking (PSC)	underside of bottom flange at bent 8, [2] two delaminations [up to 4in x 4in] with adjacent cracks [up to 0.018in]	3	1	1 Feet

109 Patched Area both faces of web at bent 7, sound patch [up to 18in x up to 28in] 2 3 Feet

General Comments

Span 8 Beam 3 Near Bearing

Fixed Bearing

Element Number	Element Name	Total Qty	CS1 Qty	CS2 Qty	CS3 Qty	CS4 Qty	
313	Fixed Bearing	1	0	1	0	0	Each
515	Steel Protective Coating	2	1	0	1	0	Square Feet

Element Number	Defect Type	Defect Description	CS	CS Qty	Maint Qty	
313	Corrosion	throughout bearing, painted over pitting [up to 1/4in] with reactivated spot rust	2	1		Each
515	Effectiveness (Steel Protective Coatings)	limited paint effectiveness with spot rust	3	1	1	Square Feet

General Comments

Span 8 Beam 3 Far Bearing

Fixed Bearing

Element Number	Element Name	Total Qty	CS1 Qty	CS2 Qty	CS3 Qty	CS4 Qty	
313	Fixed Bearing	1	0	0	1	0	Each
515	Steel Protective Coating	2	1	0	0	1	Square Feet

Element Number	Defect Type	Defect Description	CS	CS Qty	Maint Qty	
313	Corrosion	throughout bearing, painted over pitting [up to 1/8in] and pack rust [up to 1/8in] with reactivated spot rust	3	1	1	Each
515	Effectiveness (Steel Protective Coatings)	throughout bearing, reactivated surface corrosion	4	1	1	Square Feet

General Comments

Span 8 Beam 4

Prestressed Concrete Girder

Element Number	Element Name	Total Qty	CS1 Qty	CS2 Qty	CS3 Qty	CS4 Qty	
109	Prestressed Concrete Open Girder/Beam	60	57	2	1	0	Feet

Element Number	Defect Type	Defect Description	CS	CS Qty	Maint Qty	
109	Cracking (PSC)	underside of bottom flange at bent 8, [2] two delaminations [up to 3in x 3in] with adjacent cracks [up to 0.018in]	3	1	1	Feet
109	Patched Area	West face of bottom flange at bent 7, sound patch [12in x up to 6in]	2	2		Feet

General Comments

Span 8 Beam 4 Near Bearing

Fixed Bearing

Element Number	Element Name	Total Qty	CS1 Qty	CS2 Qty	CS3 Qty	CS4 Qty	
313	Fixed Bearing	1	0	1	0	0	Each
515	Steel Protective Coating	2	1	0	1	0	Square Feet

Element Number	Defect Type	Defect Description	CS	CS Qty	Maint Qty	
313	Corrosion	throughout bearing, painted over pitting [up to 1/8in] with reactivated spot rust	2	1		Each
515	Effectiveness (Steel Protective Coatings)	limited paint effectiveness with spot rust	3	1	1	Square Feet

General Comments

Span 8 Beam 4 Far Bearing

Fixed Bearing

Element Number	Element Name	Total Qty	CS1 Qty	CS2 Qty	CS3 Qty	CS4 Qty	
313	Fixed Bearing	1	0	0	1	0	Each
515	Steel Protective Coating	2	0	0	0	2	Square Feet

Element Number	Defect Type	Defect Description	CS	CS Qty	Maint Qty	
313	Corrosion	throughout bearing, painted over pitting [up to 1/4in] and pack rust [up to 1/8in] with reactivated surface corrosion	3	1	1	Each
515	Effectiveness (Steel Protective Coatings)	paint failure with active corrosion	4	2	2	Square Feet

General Comments

Span 9 Deck

Reinforced Concrete Deck

Element Number	Element Name	Total Qty	CS1 Qty	CS2 Qty	CS3 Qty	CS4 Qty	
12	Reinforced Concrete Deck	2,023	1,879	144	0	0	Square Feet

Element Number	Defect Type	Defect Description	CS	CS Qty	Maint Qty	
12	Cracking (RC and Other)	throughout surface, multiple longitudinal cracks [2ft x up to 1/32in]	2	24	24	Square Feet
12	Delamination/Spall	throughout underside, areas of scaling and delamination [up to 2ft x 2ft]	2	80	80	Square Feet
12	Patched Areas	deck surface at bent 8 and bent 9, multiple sound patches [up to 10ft x 2ft]	2	40		Square Feet

General Comments

Span 9 Beam 1

Prestressed Concrete Girder

Element Number	Element Name	Total Qty	CS1 Qty	CS2 Qty	CS3 Qty	CS4 Qty	
109	Prestressed Concrete Open Girder/Beam	60	56	2	2	0	Feet

Element Number	Defect Type	Defect Description	CS	CS Qty	Maint Qty	
109	Cracking (PSC)	both faces of bottom flange at bent 8, [2] two delaminations [4in x 8in] with adjacent associated cracks [up to 0.02in]	3	1	1	Feet

Structure Number: 070007

Inspection Date: 03/03/2022

109	Cracking (PSC)	East face of bottom flange at bent 9, delamination [8in x 3in] with adjacent cracks [up to 1/16in]	3	1	1	Feet
109	Delamination/Spall	West face of top flange at bent 9, sound patch [20in x 6in]	2	2	2	Feet

General Comments

Span 9 Beam 1 Near Bearing

Fixed Bearing

Element Number	Element Name	Total Qty	CS1 Qty	CS2 Qty	CS3 Qty	CS4 Qty	
313	Fixed Bearing	1	0	1	0	0	Each
515	Steel Protective Coating	2	1	0	1	0	Square Feet

Element Number	Defect Type	Defect Description	CS	CS Qty	Maint Qty	
313	Corrosion	throughout bearing, painted over pitting [up to 1/4in] with reactivated spot rust	2	1		Each
515	Effectiveness (Steel Protective Coatings)	limited paint effectiveness with spot rust	3	1	1	Square Feet

General Comments

Span 9 Beam 2

Prestressed Concrete Girder

Element Number	Element Name	Total Qty	CS1 Qty	CS2 Qty	CS3 Qty	CS4 Qty	
109	Prestressed Concrete Open Girder/Beam	60	58	2	0	0	Feet

Element Number	Defect Type	Defect Description	CS	CS Qty	Maint Qty	
109	Patched Area	SPAN 9 BEAM 2 RIGHT SIDE OVER BENT 9. HAS A PATCHED AREA [11in x 16in] THAT IS SOUND.	2			Feet
109	Patched Area	West face of bottom flange at bent 9, sound patch [13in x 8in]	2	2		Feet

General Comments

Span 9 Beam 2 Near Bearing

Fixed Bearing

Element Number	Element Name	Total Qty	CS1 Qty	CS2 Qty	CS3 Qty	CS4 Qty	
313	Fixed Bearing	1	0	1	0	0	Each
515	Steel Protective Coating	2	1	0	1	0	Square Feet

Element Number	Defect Type	Defect Description	CS	CS Qty	Maint Qty	
313	Corrosion	throughout bearing, painted over pitting [up to 1/4in] with reactivated spot rust	2	1		Each
515	Effectiveness (Steel Protective Coatings)	limited paint effectiveness with spot rust	3	1	1	Square Feet

General Comments

Span 9

Beam 3

Prestressed Concrete Girder

Element Number	Element Name	Total Qty	CS1 Qty	CS2 Qty	CS3 Qty	CS4 Qty	
109	Prestressed Concrete Open Girder/Beam	60	58	1	1	0	Feet
Element Number	Defect Type	Defect Description	CS	CS Qty	Maint Qty		
109	Cracking (PSC)	West face of bottom flange at bent 8, delamination [4in x 11in] with adjacent associated cracks [up to 0.012in]	3			1	Feet
109	Delamination/Spall	East face of bottom flange at bent 8, spall/delamination [6in x 3in x up to 3/4in deep] with [1] one exposed rusted strand [no section loss]	3		1	1	Feet
109	Patched Area	both faces at bent 9, sound patch [up to 14in x 16in]	2		1		Feet
General Comments							

Span 9

Beam 3 Near Bearing

Fixed Bearing

Element Number	Element Name	Total Qty	CS1 Qty	CS2 Qty	CS3 Qty	CS4 Qty	
313	Fixed Bearing	1	0	1	0	0	Each
515	Steel Protective Coating	2	1	0	1	0	Square Feet
Element Number	Defect Type	Defect Description	CS	CS Qty	Maint Qty		
313	Corrosion	throughout bearing, painted over pitting [up to 1/4in] with reactivated spot rust	2		1		Each
515	Effectiveness (Steel Protective Coatings)	limited paint effectiveness with spot rust	3		1	1	Square Feet
General Comments							

Span 9

Beam 4

Prestressed Concrete Girder

Element Number	Element Name	Total Qty	CS1 Qty	CS2 Qty	CS3 Qty	CS4 Qty	
109	Prestressed Concrete Open Girder/Beam	60	56	1	3	0	Feet
Element Number	Defect Type	Defect Description	CS	CS Qty	Maint Qty		
109	Cracking (PSC)	underside of bottom flange at bent 8, delamination [6in x 4in] with adjacent cracks [up to 0.012in]	3		1	1	Feet
109	Cracking (PSC)	East face of bottom flange at bent 9, delamination [up to 23in x up to 4in] with adjacent cracks [up to 0.05in]	3		2	2	Feet
109	Patched Area	both faces of bottom flange at bent 8, sound patches [up to 9in x up to 8in]	2		1		Feet
109	Patched Area	West face of bottom flange at bent 9, sound patch [15in x 15in]	2				Feet
General Comments							

Span 9 Beam 4 Near Bearing

Fixed Bearing

Element Number	Element Name	Total Qty	CS1 Qty	CS2 Qty	CS3 Qty	CS4 Qty	
313	Fixed Bearing	1	0	1	0	0	Each
515	Steel Protective Coating	2	1	0	1	0	Square Feet

Element Number	Defect Type	Defect Description	CS	CS Qty	Maint Qty	
313	Corrosion	throughout bearing, painted over pitting [up to 1/4in] with reactivated spot rust	2	1		Each
515	Effectiveness (Steel Protective Coatings)	limited paint effectiveness with spot rust	3	1	1	Square Feet

General Comments

Span 10 Deck

Reinforced Concrete Deck

Element Number	Element Name	Total Qty	CS1 Qty	CS2 Qty	CS3 Qty	CS4 Qty	
12	Reinforced Concrete Deck	2,023	1,854	168	1	0	Square Feet

Element Number	Defect Type	Defect Description	CS	CS Qty	Maint Qty	
12	Delamination/Spall	deck surface at centerline near bent 9, spall [10in x 9in]	3	1	1	Square Feet
12	Cracking (RC and Other)	throughout surface, multiple longitudinal cracks [3ft x up to 1/32in]	2	30	30	Square Feet
12	Efflorescence/Rust Staining	throughout underside, hairline cracks [up to 5ft] with efflorescence	2	20		Square Feet
12	Delamination/Spall	throughout underside, areas of scaling and delamination [up to 4ft x 1ft]	2	80	80	Square Feet
12	Patched Areas	deck surface at bent 9 and bent 10, multiple sound patches [up to 14ft x 1.5ft]	2	38		Square Feet
12	Cracking (RC and Other)	throughout underside, hairline map cracking	1	100		Square Feet

General Comments

Span 10 Beam 1

Prestressed Concrete Girder

Element Number	Element Name	Total Qty	CS1 Qty	CS2 Qty	CS3 Qty	CS4 Qty	
109	Prestressed Concrete Open Girder/Beam	60	58	1	1	0	Feet

Element Number	Defect Type	Defect Description	CS	CS Qty	Maint Qty	
109	Cracking (PSC)	underside of bottom flange at far end, delamination [6in x 3in] with adjacent crack [up to 0.02in]	3	1	1	Feet
109	Patched Area	10" LONG X 8" TALL NEW PATCH ON BOTTOM LEFT FLANGE AT BENT 10	2	1		Feet
109	Delamination/Spall	West face of bottom flange at bent 10, spall [8in x 5in x 3in deep] with [1] one exposed rusted strand [up to 1/16in section loss] (REPAIRED PRIOR TO 2022 INSPECTION)	1			Feet

General Comments

Span 10 Beam 1 Near Bearing
Fixed Bearing

Element Number	Element Name	Total Qty	CS1 Qty	CS2 Qty	CS3 Qty	CS4 Qty	
313	Fixed Bearing	1	0	1	0	0	Each
515	Steel Protective Coating	2	1	0	1	0	Square Feet

Element Number	Defect Type	Defect Description	CS	CS Qty	Maint Qty	
313	Corrosion	throughout bearing, painted over pitting [up to 1/8in] with reactivated spot rust	2	1		Each
515	Effectiveness (Steel Protective Coatings)	limited paint effectiveness with spot rust	3	1	1	Square Feet

General Comments

Span 10 Beam 2
Prestressed Concrete Girder

Element Number	Element Name	Total Qty	CS1 Qty	CS2 Qty	CS3 Qty	CS4 Qty	
109	Prestressed Concrete Open Girder/Beam	60	57	3	0	0	Feet

Element Number	Defect Type	Defect Description	CS	CS Qty	Maint Qty	
109	Patched Area	SPAN 10 BEAM 2 both sides of bottom flange and underside OVER BENT 9. HAS A PATCHED AREA [up to 17in x 15in] THAT IS SOUND.	2	2		Feet
109	Patched Area	SPAN 10 BEAM 2 LEFT BOTTOM FLANGE OVER BENT 10. HAS A PATCHED AREA. AREA IS: 6" x 11"	2	1		Feet

General Comments

Span 10 Beam 2 Near Bearing
Fixed Bearing

Element Number	Element Name	Total Qty	CS1 Qty	CS2 Qty	CS3 Qty	CS4 Qty	
313	Fixed Bearing	1	0	1	0	0	Each
515	Steel Protective Coating	2	1	0	1	0	Square Feet

Element Number	Defect Type	Defect Description	CS	CS Qty	Maint Qty	
313	Corrosion	throughout bearing, painted over pitting [up to 1/4in] with reactivated spot rust	2	1		Each
515	Effectiveness (Steel Protective Coatings)	limited paint effectiveness with spot rust	3	1	1	Square Feet

General Comments

Span 10 Beam 2 Far Bearing
Fixed Bearing

Element Number	Element Name	Total Qty	CS1 Qty	CS2 Qty	CS3 Qty	CS4 Qty	
313	Fixed Bearing	1	0	1	0	0	Each
515	Steel Protective Coating	2	1	0	1	0	Square Feet

Element Number	Defect Type	Defect Description	CS	CS Qty	Maint Qty	
313	Corrosion	throughout bearing, painted over pitting [up to 1/8in] with reactivated spot rust	2	1		Each

515	Effectiveness (Steel Protective Coatings)	limited paint effectiveness with spot rust	3	1	1	Square Feet
General Comments						

Span 10 Beam 3

Prestressed Concrete Girder

Element Number	Element Name	Total Qty	CS1 Qty	CS2 Qty	CS3 Qty	CS4 Qty	
109	Prestressed Concrete Open Girder/Beam	60	58	2	0	0	Feet
Element Number	Defect Type	Defect Description	CS	CS Qty	Maint Qty		
109	Patched Area	West face of bottom flange at bent 9, sound patch [12in x up to 16in]	2	1			Feet
109	Cracking (PSC)	underside of bottom flange at bent 10, delamination [4in x 3in] with adjacent crack [up to 0.009in]	2	1		1	Feet
General Comments							

Span 10 Beam 3 Near Bearing

Fixed Bearing

Element Number	Element Name	Total Qty	CS1 Qty	CS2 Qty	CS3 Qty	CS4 Qty	
313	Fixed Bearing	1	0	1	0	0	Each
515	Steel Protective Coating	2	1	0	1	0	Square Feet
Element Number	Defect Type	Defect Description	CS	CS Qty	Maint Qty		
313	Corrosion	throughout bearing, painted over pitting [up to 1/8in] with reactivated spot rust	2	1			Each
515	Effectiveness (Steel Protective Coatings)	limited paint effectiveness with spot rust	3	1		1	Square Feet
General Comments							

Span 10 Beam 3 Far Bearing

Fixed Bearing

Element Number	Element Name	Total Qty	CS1 Qty	CS2 Qty	CS3 Qty	CS4 Qty	
313	Fixed Bearing	1	0	1	0	0	Each
515	Steel Protective Coating	2	1	0	1	0	Square Feet
Element Number	Defect Type	Defect Description	CS	CS Qty	Maint Qty		
313	Corrosion	throughout bearing, painted over pitting [up to 1/8in] with reactivated spot rust	2	1			Each
515	Effectiveness (Steel Protective Coatings)	limited paint effectiveness with spot rust	3	1		1	Square Feet
General Comments							

Span 10 Beam 4

Prestressed Concrete Girder

Element Number	Element Name	Total Qty	CS1 Qty	CS2 Qty	CS3 Qty	CS4 Qty	
109	Prestressed Concrete Open Girder/Beam	60	57	2	1	0	Feet
Element Number	Defect Type	Defect Description	CS	CS Qty	Maint Qty		

Structure Number: 070007Inspection Date: 03/03/2022

109	Delamination/Spall	underside of bottom flange at bent 10, spall/delamination [up to 9in x up to full width x up to 1/4in deep] with adjacent cracking [up to 1/16in]	3	1	1	Feet
109	Patched Area	West face of bottom flange at bent 9, sound patch [8in x 8in]	2	2		Feet

General Comments

Span 10 Beam 4 Near Bearing

Fixed Bearing

Element Number	Element Name	Total Qty	CS1 Qty	CS2 Qty	CS3 Qty	CS4 Qty	
313	Fixed Bearing	1	0	1	0	0	Each
515	Steel Protective Coating	2	1	0	1	0	Square Feet

Element Number	Defect Type	Defect Description	CS	CS Qty	Maint Qty	
313	Corrosion	throughout bearing, painted over pitting [up to 1/8in] with reactivated spot rust	2	1		Each
515	Effectiveness (Steel Protective Coatings)	limited paint effectiveness with spot rust	3	1	1	Square Feet

General Comments

Span 11 Deck

Reinforced Concrete Deck

Element Number	Element Name	Total Qty	CS1 Qty	CS2 Qty	CS3 Qty	CS4 Qty	
12	Reinforced Concrete Deck	2,023	1,887	132	4	0	Square Feet

Element Number	Defect Type	Defect Description	CS	CS Qty	Maint Qty	
12	Delamination/Spall	underside of right overhang, spall/failed patch [18in diameter x 2in deep] with exposed rusted reinforcing [up to 10% section loss]	3	4	4	Square Feet
12	Delamination/Spall	underside of both overhangs, multiple delaminations [up to 2ft x 1ft]	2	16	16	Square Feet
12	Patched Areas	SPAN 11 TOP OF DECK LEFT LANE AT BENT 10. HAS A PATCHED AREA [7ft x 8in] WITH SCATTERED HAIRLINE CRACKS. PATCH APPEARS TO BE SOUND.	2	8		Square Feet
12	Cracking (RC and Other)	deck surface in right lane at bent 11, longitudinal crack [8ft x up to 1/32in]	2	8	8	Square Feet
12	Delamination/Spall	SPAN 11 BOTTOM OF LEFT AND RIGHT OVERHANGS. HAVE SCATTERED AREAS THAT ARE CRACKED AND DELAMINATED.	2	100	100	Square Feet

General Comments

Span 11 Beam 1

Prestressed Concrete Girder

Element Number	Element Name	Total Qty	CS1 Qty	CS2 Qty	CS3 Qty	CS4 Qty	
109	Prestressed Concrete Open Girder/Beam	60	59	1	0	0	Feet

Element Number	Defect Type	Defect Description	CS	CS Qty	Maint Qty	
109	Patched Area	East face of web at bent 11, sound patch [1ft x 1ft]	2	1		Feet

General Comments

Span 11 Beam 1 Near Bearing

Fixed Bearing

Element Number	Element Name	Total Qty	CS1 Qty	CS2 Qty	CS3 Qty	CS4 Qty	
313	Fixed Bearing	1	0	1	0	0	Each
515	Steel Protective Coating	2	1	0	1	0	Square Feet

Element Number	Defect Type	Defect Description	CS	CS Qty	Maint Qty	
313	Corrosion	throughout bearing, painted over pitting with rust staining	2	1		Each
515	Effectiveness (Steel Protective Coatings)	limited paint effectiveness with rust staining	3	1	1	Square Feet

General Comments

Span 11 Beam 1 Far Bearing

Fixed Bearing

Element Number	Element Name	Total Qty	CS1 Qty	CS2 Qty	CS3 Qty	CS4 Qty	
313	Fixed Bearing	1	0	1	0	0	Each
515	Steel Protective Coating	2	1	0	1	0	Square Feet

Element Number	Defect Type	Defect Description	CS	CS Qty	Maint Qty	
313	Corrosion	throughout bearing, painted over pitting with rust staining	2	1		Each
515	Effectiveness (Steel Protective Coatings)	limited paint effectiveness with rust staining	3	1	1	Square Feet

General Comments

Span 11 Beam 2

Prestressed Concrete Girder

Element Number	Element Name	Total Qty	CS1 Qty	CS2 Qty	CS3 Qty	CS4 Qty	
109	Prestressed Concrete Open Girder/Beam	60	53	7	0	0	Feet

Element Number	Defect Type	Defect Description	CS	CS Qty	Maint Qty	
109	Patched Area	SPAN 11 BEAM 2 LEFT AND RIGHT SIDE OVER BENT 10. HAS BEEN REPAIRED. PATCHES ARE SOUND.	2	4		Feet
109	Patched Area	both sides of web and bottom flange at bent 11, sound patch [28in x 24in]	2	3		Feet

General Comments

diaphragm at bent 11, sound patch [6ft x 18in high]

Span 11 Beam 2 Near Bearing

Fixed Bearing

Element Number	Element Name	Total Qty	CS1 Qty	CS2 Qty	CS3 Qty	CS4 Qty	
313	Fixed Bearing	1	0	1	0	0	Each
515	Steel Protective Coating	2	1	0	1	0	Square Feet

Element Number	Defect Type	Defect Description	CS	CS Qty	Maint Qty	
313	Corrosion	throughout bearing, painted over pitting with rust staining	2	1		Each
515	Effectiveness (Steel Protective Coatings)	limited paint effectiveness with rust staining	3	1	1	Square Feet

General Comments

Span 11 Beam 2 Far Bearing

Fixed Bearing

Element Number	Element Name	Total Qty	CS1 Qty	CS2 Qty	CS3 Qty	CS4 Qty	
313	Fixed Bearing	1	0	1	0	0	Each
515	Steel Protective Coating	2	1	0	1	0	Square Feet

Element Number	Defect Type	Defect Description	CS	CS Qty	Maint Qty	
313	Corrosion	throughout bearing, painted over pitting with rust staining	2	1		Each
515	Effectiveness (Steel Protective Coatings)	limited paint effectiveness with rust staining	3	1	1	Square Feet

General Comments

Span 11 Beam 3

Prestressed Concrete Girder

Element Number	Element Name	Total Qty	CS1 Qty	CS2 Qty	CS3 Qty	CS4 Qty	
109	Prestressed Concrete Open Girder/Beam	60	54	6	0	0	Feet

Element Number	Defect Type	Defect Description	CS	CS Qty	Maint Qty	
109	Patched Area	SPAN 11 BEAM 3 OVER BENT 10. LEFT AND RIGHT SIDES HAVE PATCHED AREAS THAT ARE SOUND.	2	4		Feet
109	Patched Area	West face at bent 11, sound patch [18in x 18in]	2			Feet
109	Delamination/Spall	East face of bottom flange at bent 11, delamination [22in x 5in high]	2	2	2	Feet

General Comments

diaphragm at bent 11, sound patch [6ft x 18in high]

Span 11 Beam 3 Near Bearing

Fixed Bearing

Element Number	Element Name	Total Qty	CS1 Qty	CS2 Qty	CS3 Qty	CS4 Qty	
313	Fixed Bearing	1	0	1	0	0	Each
515	Steel Protective Coating	2	1	0	1	0	Square Feet

Element Number	Defect Type	Defect Description	CS	CS Qty	Maint Qty	
313	Corrosion	throughout bearing, painted over pitting with rust staining	2	1		Each
515	Effectiveness (Steel Protective Coatings)	limited paint effectiveness with rust staining	3	1	1	Square Feet

General Comments

Span 11 Beam 3 Far Bearing

Fixed Bearing

Element Number	Element Name	Total Qty	CS1 Qty	CS2 Qty	CS3 Qty	CS4 Qty	
313	Fixed Bearing	1	0	1	0	0	Each
515	Steel Protective Coating	2	1	0	1	0	Square Feet

Element Number	Defect Type	Defect Description	CS	CS Qty	Maint Qty	
313	Corrosion	throughout bearing, painted over pitting with rust staining	2	1		Each

515	Effectiveness (Steel Protective Coatings)	limited paint effectiveness with rust staining	3	1	1	Square Feet
General Comments						

Span 11 Beam 4

Prestressed Concrete Girder

Element Number	Element Name	Total Qty	CS1 Qty	CS2 Qty	CS3 Qty	CS4 Qty	
109	Prestressed Concrete Open Girder/Beam	60	59	1	0	0	Feet
Element Number	Defect Type	Defect Description	CS	CS Qty	Maint Qty		
109	Delamination/Spall	East face of bottom flange at bent 10, SPALL [8in x 8in] WITH EXPOSED REBAR WITH NO SECTION LOSS	2	1	1	1	Feet
General Comments							

Span 11 Beam 4 Near Bearing

Fixed Bearing

Element Number	Element Name	Total Qty	CS1 Qty	CS2 Qty	CS3 Qty	CS4 Qty	
313	Fixed Bearing	1	0	1	0	0	Each
515	Steel Protective Coating	2	1	0	1	0	Square Feet
Element Number	Defect Type	Defect Description	CS	CS Qty	Maint Qty		
313	Corrosion	throughout bearing, painted over pitting with rust staining	2	1	1	1	Each
515	Effectiveness (Steel Protective Coatings)	limited paint effectiveness with rust staining	3	1	1	1	Square Feet
General Comments							

Span 11 Beam 4 Far Bearing

Fixed Bearing

Element Number	Element Name	Total Qty	CS1 Qty	CS2 Qty	CS3 Qty	CS4 Qty	
313	Fixed Bearing	1	0	1	0	0	Each
515	Steel Protective Coating	2	1	0	1	0	Square Feet
Element Number	Defect Type	Defect Description	CS	CS Qty	Maint Qty		
313	Corrosion	throughout bearing, painted over pitting with rust staining	2	1	1	1	Each
515	Effectiveness (Steel Protective Coatings)	limited paint effectiveness with rust staining	3	1	1	1	Square Feet
General Comments							

Span 12 Deck

Reinforced Concrete Deck

Element Number	Element Name	Total Qty	CS1 Qty	CS2 Qty	CS3 Qty	CS4 Qty	
12	Reinforced Concrete Deck	2,023	1,208	815	0	0	Square Feet
Element Number	Defect Type	Defect Description	CS	CS Qty	Maint Qty		
12	Cracking (RC and Other)	SPAN 12 BOTTOM OF DECK HAS SCATTERED MAP AND HAIRLINE CRACKS WITH SOME DELAMINATION.	2	800	800	800	Square Feet

Structure Number: 070007

Inspection Date: 03/03/2022

12	Delamination/Spall	underside of left overhang and in bay 1, [2] two delaminations [up to 18in x 12in]	2	4	4	Square Feet
12	Patched Areas	deck surface in Northbound lane at bent 12, sound patch [4ft x 1ft]	2	4		Square Feet
12	Patched Areas	SPAN 12 TOP OF DECK LEFT AND RIGHT LANE AT BENT 11. HAS A PATCHED AREA. PATCH APPEARS TO BE SOUND.	2	7		Square Feet

General Comments

Span 12 Beam 1

Prestressed Concrete Girder

Element Number	Element Name	Total Qty	CS1 Qty	CS2 Qty	CS3 Qty	CS4 Qty	
109	Prestressed Concrete Open Girder/Beam	60	57	3	0	0	Feet

Element Number	Defect Type	Defect Description	CS	CS Qty	Maint Qty	
109	Patched Area	web and bottom flange at bent 12, sound patch [28in x 26in]	2	3		Feet

General Comments

Span 12 Beam 1 Near Bearing

Fixed Bearing

Element Number	Element Name	Total Qty	CS1 Qty	CS2 Qty	CS3 Qty	CS4 Qty	
313	Fixed Bearing	1	0	1	0	0	Each
515	Steel Protective Coating	2	1	0	1	0	Square Feet

Element Number	Defect Type	Defect Description	CS	CS Qty	Maint Qty	
313	Corrosion	throughout bearing, painted over pitting with rust staining	2	1		Each
515	Effectiveness (Steel Protective Coatings)	limited paint effectiveness with rust staining	3	1	1	Square Feet

General Comments

Span 12 Beam 1 Far Bearing

Fixed Bearing

Element Number	Element Name	Total Qty	CS1 Qty	CS2 Qty	CS3 Qty	CS4 Qty	
313	Fixed Bearing	1	0	1	0	0	Each
515	Steel Protective Coating	2	1	0	1	0	Square Feet

Element Number	Defect Type	Defect Description	CS	CS Qty	Maint Qty	
313	Corrosion	throughout bearing, painted over pitting with rust staining	2	1		Each
515	Effectiveness (Steel Protective Coatings)	limited paint effectiveness with rust staining	3	1	1	Square Feet

General Comments

Span 12 Beam 2

Prestressed Concrete Girder

Element Number	Element Name	Total Qty	CS1 Qty	CS2 Qty	CS3 Qty	CS4 Qty
109	Prestressed Concrete Open Girder/Beam	60	58	2	0	0 Feet

Element Number	Defect Type	Defect Description	CS	CS Qty	Maint Qty
109	Patched Area	web and bottom flange on both sides at bent 11, sound patch [24in x 24in]	2	2	Feet

General Comments

diaphragm at bent 11, sound patch [6ft x 18in high]

Span 12 Beam 2 Near Bearing

Fixed Bearing

Element Number	Element Name	Total Qty	CS1 Qty	CS2 Qty	CS3 Qty	CS4 Qty
313	Fixed Bearing	1	0	1	0	0 Each
515	Steel Protective Coating	2	1	0	1	0 Square Feet

Element Number	Defect Type	Defect Description	CS	CS Qty	Maint Qty
313	Corrosion	throughout bearing, painted over pitting with rust staining	2	1	Each
515	Effectiveness (Steel Protective Coatings)	limited paint effectiveness with rust staining	3	1	1 Square Feet

General Comments

Span 12 Beam 2 Far Bearing

Fixed Bearing

Element Number	Element Name	Total Qty	CS1 Qty	CS2 Qty	CS3 Qty	CS4 Qty
313	Fixed Bearing	1	0	1	0	0 Each
515	Steel Protective Coating	2	1	0	1	0 Square Feet

Element Number	Defect Type	Defect Description	CS	CS Qty	Maint Qty
313	Corrosion	throughout bearing, painted over pitting with rust staining	2	1	Each
515	Effectiveness (Steel Protective Coatings)	limited paint effectiveness with rust staining	3	1	1 Square Feet

General Comments

Span 12 Beam 3

Prestressed Concrete Girder

Element Number	Element Name	Total Qty	CS1 Qty	CS2 Qty	CS3 Qty	CS4 Qty
109	Prestressed Concrete Open Girder/Beam	60	56	4	0	0 Feet

Element Number	Defect Type	Defect Description	CS	CS Qty	Maint Qty
109	Patched Area	SPAN 12 BEAM 3 RIGHT SIDE OVER BENT 12. HAS A PATCHED AREA THAT IS SOUND.	2	2	Feet
109	Patched Area	web and bottom flange both sides at bent 11, sound patch [24in x 24in]	2	2	Feet

General Comments

diaphragm at bent 11 and 12, multiple sound patches [up to 6ft x full height]

Span 12 **Beam 3 Near Bearing**
Fixed Bearing

Element Number	Element Name	Total Qty	CS1 Qty	CS2 Qty	CS3 Qty	CS4 Qty	
313	Fixed Bearing	1	0	1	0	0	Each
515	Steel Protective Coating	2	1	0	1	0	Square Feet

Element Number	Defect Type	Defect Description	CS	CS Qty	Maint Qty	
313	Corrosion	throughout bearing, painted over pitting with rust staining	2	1		Each
515	Effectiveness (Steel Protective Coatings)	limited paint effectiveness with rust staining	3	1	1	Square Feet

General Comments

Span 12 **Beam 3 Far Bearing**
Fixed Bearing

Element Number	Element Name	Total Qty	CS1 Qty	CS2 Qty	CS3 Qty	CS4 Qty	
313	Fixed Bearing	1	0	1	0	0	Each
515	Steel Protective Coating	2	1	0	1	0	Square Feet

Element Number	Defect Type	Defect Description	CS	CS Qty	Maint Qty	
313	Corrosion	throughout bearing, painted over pitting with rust staining	2	1		Each
515	Effectiveness (Steel Protective Coatings)	limited paint effectiveness with rust staining	3	1	1	Square Feet

General Comments

Span 12 **Beam 4**
Prestressed Concrete Girder

Element Number	Element Name	Total Qty	CS1 Qty	CS2 Qty	CS3 Qty	CS4 Qty	
109	Prestressed Concrete Open Girder/Beam	60	59	1	0	0	Feet

Element Number	Defect Type	Defect Description	CS	CS Qty	Maint Qty	
109	Delamination/Spall	SPAN 12 END OF BEAM 4 OVER BENT 12. HAS A SPALLED AREA. AREA IS: 3" x 5" x 1" DEEP.	2	1	1	Feet

General Comments

Span 12 **Beam 4 Near Bearing**
Fixed Bearing

Element Number	Element Name	Total Qty	CS1 Qty	CS2 Qty	CS3 Qty	CS4 Qty	
313	Fixed Bearing	1	0	1	0	0	Each
515	Steel Protective Coating	2	1	0	1	0	Square Feet

Element Number	Defect Type	Defect Description	CS	CS Qty	Maint Qty	
313	Corrosion	throughout bearing, painted over pitting with rust staining	2	1		Each
515	Effectiveness (Steel Protective Coatings)	limited paint effectiveness with rust staining	3	1	1	Square Feet

General Comments

Span 12 Beam 4 Far Bearing

Fixed Bearing

Element Number	Element Name	Total Qty	CS1 Qty	CS2 Qty	CS3 Qty	CS4 Qty
313	Fixed Bearing	1	0	1	0	0 Each
515	Steel Protective Coating	2	1	0	1	0 Square Feet

Element Number	Defect Type	Defect Description	CS	CS Qty	Maint Qty
313	Corrosion	throughout bearing, painted over pitting with rust staining	2	1	Each
515	Effectiveness (Steel Protective Coatings)	limited paint effectiveness with rust staining	3	1	1 Square Feet

General Comments

Span 13 Deck

Reinforced Concrete Deck

Element Number	Element Name	Total Qty	CS1 Qty	CS2 Qty	CS3 Qty	CS4 Qty
12	Reinforced Concrete Deck	2,023	1,471	47	505	0 Square Feet

Element Number	Defect Type	Defect Description	CS	CS Qty	Maint Qty
12	Cracking (RC and Other)	throughout underside of deck, scattered map and transverse cracks [up to 1/16in]	3	500	500 Square Feet
12	Delamination/Spall	18" LONG X 6" X TALL X 6" WIDE SPALL WITH EXPOSED REBAR IN BAY 1 DIAPHRAGM AT BENT 12	3	2	2 Square Feet
12	Exposed Rebar	PAR: 3' WIDE X 6" LONG X 3" DEEP SPALL WITH EXPOSED REBAR IN SOUTH BOUND LANE AT BENT 12 JOINT	3	3	3 Square Feet
12	Patched Areas	deck surface in right lane at bent 13, [2] two sound patches [up to 3ft x up to 2ft]	2	12	Square Feet
12	Cracking (RC and Other)	throughout surface, multiple longitudinal cracks [4ft x up to 1/32in]	2	24	24 Square Feet
12	Delamination/Spall	underside of left overhang, multiple delaminations [up to 18in x 6in]	2	11	11 Square Feet

General Comments

Span 13 Beam 1

Prestressed Concrete Girder

Element Number	Element Name	Total Qty	CS1 Qty	CS2 Qty	CS3 Qty	CS4 Qty
109	Prestressed Concrete Open Girder/Beam	60	58	1	1	0 Feet

Element Number	Defect Type	Defect Description	CS	CS Qty	Maint Qty
109	Delamination/Spall	SPAN 13 BEAM 1 RIGHT BOTTOM FLANGE OVER BENT 13. HAS A SPALLED AREA WITH 1 CABLE VISIBLE. AREA IS: 4" x 5" x 2" DEEP.	3	1	1 Feet
109	Delamination/Spall	SPAN 13 BOTTOM OF BEAM 1 AT BENT 13. HAS A SPALLED AREA WITH REBAR VISIBLE. AREA IS: 4" x 5" x 1/2" DEEP.	2	1	1 Feet

General Comments

diaphragm at bent 12, spall [20in x 6in x 3in deep] with exposed rusted reinforcing [up to 50% section loss]

Span 13 Beam 2

Prestressed Concrete Girder

Element Number	Element Name	Total Qty	CS1 Qty	CS2 Qty	CS3 Qty	CS4 Qty
109	Prestressed Concrete Open Girder/Beam	60	57	3	0	0 Feet

Element Number	Defect Type	Defect Description	CS	CS Qty	Maint Qty
109	Delamination/Spall	bottom flange and web at bent 12, [2] two spalls [up to 6in x 4in x 1in deep]	2	1	1 Feet
109	Patched Area	10" LONG X 18" TALL NEW PATCH ON BOTTOM LEFT FLANGE AT BENT 13	2	1	Feet
109	Patched Area	East face of bottom flange at bent 13, sound patch [1ft x 6in]	2	1	Feet
109	Delamination/Spall	left side of bottom flange over bent 13, spall [10in x 5in x 2.5in deep] with [2] two exposed rusted strands [50% section loss] (REPAIRED PRIOR TO 2022 INSPECTION)	1		Feet

General Comments

diaphragm at bent 12, sound patch [4ft x full height]

Span 13 Beam 3

Prestressed Concrete Girder

Element Number	Element Name	Total Qty	CS1 Qty	CS2 Qty	CS3 Qty	CS4 Qty
109	Prestressed Concrete Open Girder/Beam	60	58	2	0	0 Feet

Element Number	Defect Type	Defect Description	CS	CS Qty	Maint Qty
109	Patched Area	SPAN 13 BEAM 3 LEFT AND RIGHT SIDE OVER BENT 12. HAS PATCHED AREAS THAT ARE SOUND.	2	2	Feet

General Comments

diaphragm at bent 12, sound patch [4ft x full height]

Span 14 Deck

Reinforced Concrete Deck

Element Number	Element Name	Total Qty	CS1 Qty	CS2 Qty	CS3 Qty	CS4 Qty
12	Reinforced Concrete Deck	2,023	1,303	720	0	0 Square Feet

Element Number	Defect Type	Defect Description	CS	CS Qty	Maint Qty
12	Delamination/Spall	along underside of both overhangs, multiple delaminations [up to 6in diameter]	2	6	6 Square Feet
12	Cracking (RC and Other)	SPAN 14 BOTTOM OF DECK HAS SCATTERED MAP CRACKING.	2	700	700 Square Feet
12	Patched Areas	deck surface in Northbound lane at bent 13 and bent 14, multiple sound patches [up to 4ft x 1ft]	2	14	Square Feet

General Comments

Span 14 Beam 1

Prestressed Concrete Girder

Element Number	Element Name	Total Qty	CS1 Qty	CS2 Qty	CS3 Qty	CS4 Qty
109	Prestressed Concrete Open Girder/Beam	60	59	1	0	0 Feet

Element Number	Defect Type	Defect Description	CS	CS Qty	Maint Qty
109	Delamination/Spall	BENT 14 BEAM 1 LEFT BOTTOM FLANGE OVER BENT 14. HAS A SPALLED AREA. AREA IS: 5" x 5" x 1/2" DEEP.	2	1	1 Feet

General Comments

Span 14 **Beam 2**
Prestressed Concrete Girder

Element Number	Element Name	Total Qty	CS1 Qty	CS2 Qty	CS3 Qty	CS4 Qty	
109	Prestressed Concrete Open Girder/Beam	60	58	2	0	0	Feet

Element Number	Defect Type	Defect Description	CS	CS Qty	Maint Qty	
109	Patched Area	East face of bottom flange at bent 13, sound patch [20in x 14in]	2	2		Feet
General Comments						

Span 14 **Beam 3**
Prestressed Concrete Girder

Element Number	Element Name	Total Qty	CS1 Qty	CS2 Qty	CS3 Qty	CS4 Qty	
109	Prestressed Concrete Open Girder/Beam	60	57	3	0	0	Feet

Element Number	Defect Type	Defect Description	CS	CS Qty	Maint Qty	
109	Patched Area	SPAN 14 BEAM 3 RIGHT SIDE OVER BENT 14. HAS A PATCHED AREA WITH SCATTERED HAIRLINE CRACKS. PATCH APPEARS TO BE SOUND.	2	1		Feet
109	Patched Area	West face of bottom flange at bent 14, sound patch [8in x 8in]	2	1		Feet
109	Exposed Rebar	at 4ft from bent 14, exposed rusted reinforcing [8in x 1in x 1/2in] with no section loss	2	1	1	Feet
General Comments						

Span 14 **Beam 4**
Prestressed Concrete Girder

Element Number	Element Name	Total Qty	CS1 Qty	CS2 Qty	CS3 Qty	CS4 Qty	
109	Prestressed Concrete Open Girder/Beam	60	57	2	1	0	Feet

Element Number	Defect Type	Defect Description	CS	CS Qty	Maint Qty	
109	Delamination/Spall	SPAN 14 BEAM 4 LEFT BOTTOM FLANGE OVER BENT 13. HAS A CRACK/SPALL AND DELAMINATED AREA. AREA IS: 8" x 6" x 1" DEEP.	3	1	1	Feet
109	Exposed Rebar	at 4ft from bent 13, exposed rusted reinforcing [8in x 1in x 1/2in] with no section loss	2	1	1	Feet
109	Patched Area	East face of bottom flange at bent 13, sound patch [12in x 6in]	2	1		Feet
General Comments						

Span 15 **Deck**
Reinforced Concrete Deck

Element Number	Element Name	Total Qty	CS1 Qty	CS2 Qty	CS3 Qty	CS4 Qty	
12	Reinforced Concrete Deck	2,023	1,590	431	2	0	Square Feet

Element Number	Defect Type	Defect Description	CS	CS Qty	Maint Qty	
12	Delamination/Spall	SPAN 15 BOTTOM OF LEFT OVERHANG HAS A SPALLED AREA WITH REBAR EXPOSED. LOCATED 8' FROM BENT 14. AREA IS: 8" x 18" x 1 1/2" DEEP.	3	2	2	Square Feet

Structure Number: 070007

Inspection Date: 03/03/2022

12	Patched Areas	deck surface in Southbound lane at bent 14 and Northbound lane at bent 15, multiple sound patches [up to 8ft x 1ft]	2	11		Square Feet
12	Cracking (RC and Other)	SPAN 15 BOTTOM OF DECK HAS SCATTERED MAP CRACKING.	2	400	400	Square Feet
12	Cracking (RC and Other)	1/32" LONGITUDINAL CRACKING ALONG JOINTS	2	20	20	Square Feet

General Comments

Span 15 Beam 2

Prestressed Concrete Girder

Element Number	Element Name	Total Qty	CS1 Qty	CS2 Qty	CS3 Qty	CS4 Qty	
109	Prestressed Concrete Open Girder/Beam	60	56	3	1	0	Feet

Element Number	Defect Type	Defect Description	CS	CS Qty	Maint Qty	
109	Delamination/Spall	bottom flange at bent 14, spall [6in x 2in x 1in deep] with exposed rusted reinforcing [no section loss]	3	1	1	Feet
109	Patched Area	East face of bottom flange at bent 15, sound patch [18in x 12in]	2	2		Feet
109	Patched Area	East face of bottom flange at bent 14, sound patch [6in x 8in]	2	1		Feet

General Comments

Span 15 Beam 3

Prestressed Concrete Girder

Element Number	Element Name	Total Qty	CS1 Qty	CS2 Qty	CS3 Qty	CS4 Qty	
109	Prestressed Concrete Open Girder/Beam	60	59	1	0	0	Feet

Element Number	Defect Type	Defect Description	CS	CS Qty	Maint Qty	
109	Patched Area	East face of bottom flange at bent 14, sound patch [7in x 12in]	2	1		Feet

General Comments

Span 15 Beam 4

Prestressed Concrete Girder

Element Number	Element Name	Total Qty	CS1 Qty	CS2 Qty	CS3 Qty	CS4 Qty	
109	Prestressed Concrete Open Girder/Beam	60	58	2	0	0	Feet

Element Number	Defect Type	Defect Description	CS	CS Qty	Maint Qty	
109	Patched Area	West face of bottom flange at bent 15, sound patch [2ft x 2ft]	2	2		Feet

General Comments

Span 16 Deck

Reinforced Concrete Deck

Element Number	Element Name	Total Qty	CS1 Qty	CS2 Qty	CS3 Qty	CS4 Qty	
12	Reinforced Concrete Deck	2,023	1,082	920	21	0	Square Feet

Element Number	Defect Type	Defect Description	CS	CS Qty	Maint Qty	
----------------	-------------	--------------------	----	--------	-----------	--

Structure Number: 070007Inspection Date: 03/03/2022

12	Delamination/Spall	underside of deck along edge of diaphragms, multiple spalls/failed patches with efflorescence	3	21	21	Square Feet
12	Patched Areas	deck surface at bent 15 and bent 16, multiple sound patches [up to 5ft x 1ft]	2	14		Square Feet
12	Cracking (RC and Other)	SPAN 16 BOTTOM OF DECK HAS SCATTERED MAP AND TRANSVERSE CRACKS WITH SOME EFFLO VISIBLE.	2	900	900	Square Feet
12	Delamination/Spall	underside of left overhang, multiple delaminations [up to 1ft diameter]	2	6	6	Square Feet

General Comments

Span 16 Beam 1

Prestressed Concrete Girder

Element Number	Element Name	Total Qty	CS1 Qty	CS2 Qty	CS3 Qty	CS4 Qty	
109	Prestressed Concrete Open Girder/Beam	60	57	3	0	0	Feet

Element Number	Defect Type	Defect Description	CS	CS Qty	Maint Qty	
109	Cracking (PSC)	SPAN 16 BEAM 1 RIGHT BOTTOM FLANGE AT BENT 16. HAS A CRACK LOCATED 2" FROM BOTTOM EDGE, FROM BEARING OUT 16".	2	2	2	Feet
109	Patched Area	SPAN 16 BEAM 1 RIGHT BOTTOM FLANGE OVER BENT 15. HAS A PATCHED AREA WITH SCATTERED HAIRLINE CRACKS. PATCH APPEARS TO BE SOUND.	2	1		Feet

General Comments

Span 16 Beam 1 Far Bearing

Fixed Bearing

Element Number	Element Name	Total Qty	CS1 Qty	CS2 Qty	CS3 Qty	CS4 Qty	
313	Fixed Bearing	1	0	1	0	0	Each
515	Steel Protective Coating	2	2	0	0	0	Square Feet

Element Number	Defect Type	Defect Description	CS	CS Qty	Maint Qty	
313	Corrosion	throughout bearing, painted over pitting [up to 1/2in section loss]	2	1		Each

General Comments

Span 16 Beam 2

Prestressed Concrete Girder

Element Number	Element Name	Total Qty	CS1 Qty	CS2 Qty	CS3 Qty	CS4 Qty	
109	Prestressed Concrete Open Girder/Beam	60	57	3	0	0	Feet

Element Number	Defect Type	Defect Description	CS	CS Qty	Maint Qty	
109	Patched Area	both faces at bent 15, sound patches [1ft x 1ft]	2	1		Feet
109	Patched Area	on both faces at bent 16, sound patches [24in x 18in]	2	2		Feet

General Comments

Span 16 Beam 2 Far Bearing

Fixed Bearing

Element Number	Element Name	Total Qty	CS1 Qty	CS2 Qty	CS3 Qty	CS4 Qty	
313	Fixed Bearing	1	0	1	0	0	Each
515	Steel Protective Coating	2	2	0	0	0	Square Feet

Element Number	Defect Type	Defect Description	CS	CS Qty	Maint Qty	
313	Corrosion	throughout bearing, painted over pitting [up to 1/2in section loss]	2	1		Each

General Comments

Span 16 Beam 3

Prestressed Concrete Girder

Element Number	Element Name	Total Qty	CS1 Qty	CS2 Qty	CS3 Qty	CS4 Qty	
109	Prestressed Concrete Open Girder/Beam	60	56	4	0	0	Feet

Element Number	Defect Type	Defect Description	CS	CS Qty	Maint Qty	
109	Patched Area	East face of top flange at bent 16, sound patch [8in x 8in]	2	1		Feet
109	Patched Area	both faces at bent 16, sound patches [24in x 18in]	2	2		Feet
109	Patched Area	East face of bottom flange at bent 15, sound patch [1ft x 1ft]	2	1		Feet

General Comments

Span 16 Beam 3 Far Bearing

Fixed Bearing

Element Number	Element Name	Total Qty	CS1 Qty	CS2 Qty	CS3 Qty	CS4 Qty	
313	Fixed Bearing	1	0	1	0	0	Each
515	Steel Protective Coating	2	2	0	0	0	Square Feet

Element Number	Defect Type	Defect Description	CS	CS Qty	Maint Qty	
313	Corrosion	throughout bearing, painted over pitting [up to 1/2in section loss]	2	1		Each

General Comments

Span 16 Beam 4

Prestressed Concrete Girder

Element Number	Element Name	Total Qty	CS1 Qty	CS2 Qty	CS3 Qty	CS4 Qty	
109	Prestressed Concrete Open Girder/Beam	60	56	4	0	0	Feet

Element Number	Defect Type	Defect Description	CS	CS Qty	Maint Qty	
109	Patched Area	SPAN 16 BEAM 4 LEFT AND RIGHT BOTTOM FLANGE OVER BENT 15. HAS PATCHED AREAS WITH SCATTERED HAIRLINE CRACKS. PATCHES APPEAR TO BE SOUND.	2	2		Feet
109	Patched Area	both faces of bottom flange at bent 16, sound patches [24in x 6in]	2	2		Feet

General Comments

Span 16 Beam 4 Far Bearing

Fixed Bearing

Element Number	Element Name	Total Qty	CS1 Qty	CS2 Qty	CS3 Qty	CS4 Qty	
313	Fixed Bearing	1	0	1	0	0	Each
515	Steel Protective Coating	2	2	0	0	0	Square Feet

Element Number	Defect Type	Defect Description	CS	CS Qty	Maint Qty	
313	Corrosion	throughout bearing, painted over pitting [up to 1/2in section loss]	2	1		Each

General Comments

Span 17 Deck

Reinforced Concrete Deck

Element Number	Element Name	Total Qty	CS1 Qty	CS2 Qty	CS3 Qty	CS4 Qty	
12	Reinforced Concrete Deck	3,371	2,347	1,024	0	0	Square Feet

Element Number	Defect Type	Defect Description	CS	CS Qty	Maint Qty	
12	Cracking (RC and Other)	throughout surface, multiple longitudinal cracks [4ft x up to 1/32in]	2	24	24	Square Feet
12	Delamination/Spall	SPAN 17 BOTTOM OF LEFT AND RIGHT OVERHANGS. HAVE SCATTERED AREAS THAT ARE CRACKED WITH SOME SCALING AND DELAMINATION.	2	200	200	Square Feet
12	Cracking (RC and Other)	throughout underside of deck, scattered map and transverse cracks	2	800	800	Square Feet

General Comments

Span 17 Expansion Joint over Bent 16

Standard Joint

Element Number	Element Name	Total Qty	CS1 Qty	CS2 Qty	CS3 Qty	CS4 Qty	
301	Pourable Joint Seal	34	14	0	0	20	Feet

Element Number	Defect Type	Defect Description	CS	CS Qty	Maint Qty	
301	Seal Adhesion	along joint, loss of seal adhesion [20ft x full depth]	4	20	20	Feet

General Comments

Span 17 Beam 1

Plate Girder

Element Number	Element Name	Total Qty	CS1 Qty	CS2 Qty	CS3 Qty	CS4 Qty	
107	Steel Open Girder/Beam	320	273	46	1	0	Feet
515	Steel Protective Coating	5,036	5,011	0	15	10	Square Feet

Element Number	Defect Type	Defect Description	CS	CS Qty	Maint Qty	
107	Corrosion	span 19 bottom flange between splices plates, painted over section loss [3in x 1in] and pack rust [up to 1/2in]	3	1	1	Feet
107	Corrosion	SPAN 17 BOTTOM OF BEAM 1 AT BENT 19. HAS A AREA OF painted over section loss WITH 7/8" REMAINING. FROM BEARING OUT 12"	2	1		Feet

Structure Number: 070007

Inspection Date: 03/03/2022

107	Corrosion	BOTTOM OF BEAM 1 AT BENT 17 SPAN 17. HAS A AREA OF painted over section loss WITH 1 1/2" REMAINING. FROM BEARING OUT 60".	2	5	Feet
107	Corrosion	BEAM 1 BOTTOM OF RIGHT TOP FLANGE AT BENT 18. HAS A AREA OF painted over section loss [10ft x 5in x 1.5in]. FROM END DIAPHRAGM OUT 10'.	2	10	Feet
107	Corrosion	BEAM 1 HAS SCATTERED AREAS OF CORROSION WITH 7/8" OR GREATER REMAINING.	2	8	Feet
107	Corrosion	upper web at 3rd diaphragm North from bent 17, painted over section loss [21in x 26in x 1/2in avg rem]	2	2	Feet
107	Corrosion	BOTTOM OF BEAM 1 AT BENT 18 SPAN 18 SIDE. HAS A AREA OF painted over section loss WITH 1 3/8" REMAINING. FROM BEARING OUT 48".	2	4	Feet
107	Corrosion	lower web at bent 16, active corrosion with section loss [3in x 1in x 1/2in avg rem]	2	1	Feet
107	Corrosion	right top flange at midspan of span 18, spot rust	2	15	Feet
107	Corrosion	BEAM 1 RIGHT WEB SPAN 17 OVER BENT 17. HAS A AREA OF SECTION LOSS WITH 1/4" REMAINING NEAR END DIAPHRAGM. Arrested section loss with repair plate in place.	1	2	Feet
107	Corrosion	upper web on right side at bent 18, active corrosion [10in x 18in x 3/8in avg rem] with repair plate installed [12in x 28in x 1/2in]	1	1	Feet
107	Corrosion	BEAM 1 RIGHT BOTTOM FLANGE AT MID-SPAN 18. HAS A AREA OF SECTION LOSS WITH 1/2" REMAINING. AREA IS: FROM EDGE BACK 4" x 12". Arrested section loss with repair plate in place.	1	1	Feet
107	Corrosion	BEAM 1 RIGHT WEB MID-SPAN 18. HAS A AREA OF SECTION LOSS WITH 1/4" REMAINING. AREA IS: FROM BOTTOM FLANGE UP 3" x 5". THIS AREA CONTAINS A "PIN-HOLE". Arrested section loss with repair plate in place.	1	1	Feet
107	Corrosion	lower web on right side at bent 18, painted over section loss [18in x 15in x 1/8in avg rem] with [2] two holes [1.5in diameter] and repair plate installed on left side [42in x 30in x 1/2in]	1	2	Feet
107	Corrosion	SPAN 17 BEAM 1 RIGHT BOTTOM FLANGE AT 3RD CROSS BRACE. HAS A AREA OF SECTION LOSS WITH 5/8" REMAINING. AREA IS: FROM EDGE BACK 7" x 19". Arrested section loss with repair plate in place.	1	2	Feet
515	Effectiveness (Steel Protective Coatings)	throughout beam, paint failure with active corrosion	4	10	10 Square Feet
515	Effectiveness (Steel Protective Coatings)	throughout beam, limited paint effectiveness with spot rust	3	15	15 Square Feet

General Comments

Span 17

Beam 2

Plate Girder

Element Number	Element Name	Total Qty	CS1 Qty	CS2 Qty	CS3 Qty	CS4 Qty
107	Steel Open Girder/Beam	320	274	42	4	0 Feet
515	Steel Protective Coating	5,036	4,966	0	60	10 Square Feet

Element Number	Defect Type	Defect Description	CS	CS Qty	Maint Qty
107	Corrosion	SPAN 17 BOTTOM OF BEAM 2 AT BENT 19. HAS A AREA OF painted over section loss [24in x 4in x 3/8in avg rem]. FROM BEARING OUT 24".	3	2	2 Feet
107	Corrosion	bottom flange at bent 19, painted over section loss [20in x 5in x 3/4in avg rem]	3	2	2 Feet
107	Corrosion	left side of top flange at span 18 midspan, spot rust	2	30	Feet
107	Corrosion	right face of web at bent 16, painted over section loss [7in x 3in x 1/2in avg rem]	2		Feet
107	Corrosion	bottom flange at bent 16, painted over section loss [17in x 4in x 7/8in avg rem]	2	2	Feet

Structure Number: 070007Inspection Date: 03/03/2022

107	Corrosion	upper web at 3rd diaphragm North of bent 17, painted over section loss [16in x 12in x 9/16in avg rem]	2	2	Feet
107	Corrosion	BEAM 2 HAS SCATTERED AREAS OF painted over section loss WITH 7/8" OR GREATER REMAINING. IN TOP AND BOTTOM FLANGE.	2	8	Feet
107	Corrosion	upper web at 2nd diaphragm North of bent 18, [3] three areas of painted over section loss [up to 10in x up to 3in x up to 100% section loss] with repair plates installed [14in x full height]	1	3	Feet
515	Effectiveness (Steel Protective Coatings)	throughout beam, paint failure with active corrosion	4	10	10 Square Feet
515	Effectiveness (Steel Protective Coatings)	throughout beam, limited paint effectiveness with spot rust	3	60	60 Square Feet

General Comments

Span 17 **Beam 1 Intermediate Bearing Bent 18**

Other Bearing

Element Number	Element Name	Total Qty	CS1 Qty	CS2 Qty	CS3 Qty	CS4 Qty
316	Other Bearings	1	0	1	0	0 Each
515	Steel Protective Coating	2	2	0	0	0 Square Feet

Element Number	Defect Type	Defect Description	CS	CS Qty	Maint Qty
316	Corrosion	throughout bearing, painted over section loss [up to 1/4in section loss]	2	1	Each

General Comments

Span 17 **Beam 3**

Plate Girder

Element Number	Element Name	Total Qty	CS1 Qty	CS2 Qty	CS3 Qty	CS4 Qty
107	Steel Open Girder/Beam	320	314	4	1	1 Feet
515	Steel Protective Coating	5,036	5,026	0	0	10 Square Feet

Element Number	Defect Type	Defect Description	CS	CS Qty	Maint Qty
107	Corrosion	PAR: bottom left flange at bent 16, active corrosion with section loss [5in x in x 3/4in avg rem]	4	1	1 Feet
107	Corrosion	bottom flange above bearing at bent 18, painted over section loss [36in x full width x 9/16in avg rem]	3	1	1 Feet
107	Corrosion	lower web above bearing at bent 18, painted over section loss [14in x 6in x 9/16in avg rem]	2	2	Feet
107	Corrosion	bottom flange at bent 19, painted over section loss [14in x full width x 7/8in avg rem]	2	2	Feet
515	Effectiveness (Steel Protective Coatings)	throughout beam, paint failure with active corrosion	4	10	10 Square Feet

General Comments

Span 17 **Beam 4**

Plate Girder

Element Number	Element Name	Total Qty	CS1 Qty	CS2 Qty	CS3 Qty	CS4 Qty
107	Steel Open Girder/Beam	320	299	9	11	1 Feet
515	Steel Protective Coating	5,036	5,026	0	0	10 Square Feet

Element Number	Defect Type	Defect Description	CS	CS Qty	Maint Qty
----------------	-------------	--------------------	----	--------	-----------

107	Corrosion	PAR: 1/2" REMAINING ON BOTTOM RIGHT FLANGE FOR 3" WIDE X 3" LONG ON NORTH SIDE OF SPLICE NUMBER 1 IN SPAN 18	4	1	1	Feet
107	Corrosion	right side of top flange at span 18 midspan, painted over section loss [8ft x 5in x 1/2in avg rem]	3	8	8	Feet
107	Corrosion	at span 19 splice plates between plate and flanges, painted over section loss [3in x 1in] with pack rust [up to 1/2in]	3			Feet
107	Corrosion	bottom flange above bearing at bent 18, painted over section loss [36in x full width x 9/16in avg rem]	3	3	3	Feet
107	Corrosion	left side of upper web at bent 18, painted over section loss [4in x 20in x 9/16in avg rem]	2	1		Feet
107	Corrosion	lower web above bearing at bent 18, painted over section loss [30in x 6in x 9/16in avg rem]	2			Feet
107	Corrosion	BEAM 4 HAS SCATTERED AREAS OF painted over section loss WITH 7/8" OR GREATER REMAINING. IN TOP AND BOTTOM FLANGE.	2	6		Feet
107	Corrosion	lower web at bent 16, active corrosion with section loss [3in x 4in x 15/16in avg rem]	2	1		Feet
107	Corrosion	right side of lower web at bent 19, active corrosion with section loss [6in x 3in x 9/16in avg rem]	2	1		Feet
107	Corrosion	right side of bottom flange at span 18 midspan, active corrosion with section loss [5ft x 3in x 1/2in avg rem] with repair plate installed [7ft x 1/2in]	1	5		Feet
107	Corrosion	BEAM 4 LEFT BOTTOM FLANGE MID-SPAN 18. HAS A AREA OF painted over SECTION LOSS DOWN TO A KNIFES EDGE. A PLATE HAS BEEN BOLTED TO WEB AND TOP OF BOTTOM FLANGE TO REPAIR THIS AREA.	1	4		Feet
515	Effectiveness (Steel Protective Coatings)	throughout beam, paint failure with active corrosion	4	10	10	Square Feet

General Comments

right side of web at span 18 midspan, [2] two repair plates in place [5ft x 2ft] and [1ft x 2ft]

Span 18

Deck

Reinforced Concrete Deck

Element Number	Element Name	Total Qty	CS1 Qty	CS2 Qty	CS3 Qty	CS4 Qty
12	Reinforced Concrete Deck	4,045	2,888	1,157	0	0 Square Feet

Element Number	Defect Type	Defect Description	CS	CS Qty	Maint Qty
12	Delamination/Spall	throughout underside of right overhang, multiple delaminations [up to 18in x up to 15in]	2	27	27 Square Feet
12	Cracking (RC and Other)	SPAN 18 BOTTOM OF DECK HAS SCATTERED MAP/TRANSVERSE AND LONGITUDINAL CRACKS WITH SOME EFFLO VISIBLE.	2	1,100	1,100 Square Feet
12	Cracking (RC and Other)	throughout surface, multiple longitudinal cracks and transverse cracks [8ft x up to 1/32in]	2	30	30 Square Feet

General Comments

Span 19

Deck

Reinforced Concrete Deck

Element Number	Element Name	Total Qty	CS1 Qty	CS2 Qty	CS3 Qty	CS4 Qty
12	Reinforced Concrete Deck	3,371	2,613	758	0	0 Square Feet

Element Number	Defect Type	Defect Description	CS	CS Qty	Maint Qty
12	Cracking (RC and Other)	SPAN 19 BOTTOM OF DECK HAS SCATTERED MAP AND TRANSVERSE CRACKS.	2	600	600 Square Feet
12	Delamination/Spall	SPAN 19 BOTTOM OF LEFT AND RIGHT OVERHANGS HAVE SCATTERED CRACKS WITH SOME DELAMINATION.	2	150	150 Square Feet
12	Delamination/Spall	throughout underside, multiple delaminations [up to 8in diameter]	2	8	8 Square Feet

General Comments

Span 20 Expansion Joint over Bent 19

Standard Joint

Element Number	Element Name	Total Qty	CS1 Qty	CS2 Qty	CS3 Qty	CS4 Qty
301	Pourable Joint Seal	34	18	0	0	16 Feet

Element Number	Defect Type	Defect Description	CS	CS Qty	Maint Qty
301	Seal Adhesion	along joint, loss of seal adhesion [16ft x full depth]	4	16	16 Feet

General Comments

Span 20 Deck

Reinforced Concrete Deck

Element Number	Element Name	Total Qty	CS1 Qty	CS2 Qty	CS3 Qty	CS4 Qty
12	Reinforced Concrete Deck	2,023	1,401	622	0	0 Square Feet

Element Number	Defect Type	Defect Description	CS	CS Qty	Maint Qty
12	Patched Areas	deck surface at bent 20, [2] two sound patches [up to 4ft x 1ft]	2	10	Square Feet
12	Cracking (RC and Other)	SPAN 20 BOTTOM OF DECK HAS SCATTERED MAP CRACKING.	2	600	600 Square Feet
12	Cracking (RC and Other)	throughout surface, multiple longitudinal cracks [2ft x up to 1/32in]	2	12	12 Square Feet

General Comments

Span 20 Beam 1

Prestressed Concrete Girder

Element Number	Element Name	Total Qty	CS1 Qty	CS2 Qty	CS3 Qty	CS4 Qty
109	Prestressed Concrete Open Girder/Beam	60	58	1	1	0 Feet

Element Number	Defect Type	Defect Description	CS	CS Qty	Maint Qty
109	Delamination/Spall	West face of web at bent 21, spall/delamination [4in x 20in x up to 1.5in deep] with exposed rusted reinforcing [no section loss]	3	1	1 Feet
109	Patched Area	SPAN 20 BEAM 1 RIGHT BOTTOM FLANGE OVER BENT 20. sound patch [6in x 8in]	2	1	Feet
109	Patched Area	SPAN 20 BEAM 1 LEFT BOTTOM FLANGE OVER BENT 20. sound patch [8in x 9in]	2		Feet

General Comments

Span 20 Beam 2

Prestressed Concrete Girder

Element Number	Element Name	Total Qty	CS1 Qty	CS2 Qty	CS3 Qty	CS4 Qty
109	Prestressed Concrete Open Girder/Beam	60	59	1	0	0 Feet

Element Number	Defect Type	Defect Description	CS	CS Qty	Maint Qty
109	Delamination/Spall	underside of bottom flange at bent 20, [2] two spalls [6in diameter x 1in deep]	2	1	1 Feet

General Comments

PREVIOUS PAR ON BOTTOM EAST FLANGE WAS NOT FOUND IN 2022 INSPECTION. COMMENT MOVED TO

GIRDER 2 SPAN 21 AT BENT 21

Span 20 Beam 3

Prestressed Concrete Girder

Element Number	Element Name	Total Qty	CS1 Qty	CS2 Qty	CS3 Qty	CS4 Qty
109	Prestressed Concrete Open Girder/Beam	60	59	0	1	0 Feet

Element Number	Defect Type	Defect Description	CS	CS Qty	Maint Qty
109	Exposed Rebar	PAR: SPAN 20 BEAM 3 RIGHT BOTTOM FLANGE OVER BENT 19. HAS A SPALL WITH EXPOSED STRANDS 12" LONG X 8" TALL X 3" DEEP	3	1	1 Feet
109	Patched Area	SPAN 20 BEAM 3 RIGHT BOTTOM FLANGE OVER BENT 20. sound patch [3in x 8in]	2		Feet

General Comments

PREVIOUS PAR ON WEST BOTTOM FLANGE NOT ON THIS GIRDER. MOVED TO GIRDER 3 SPAN 21 AT BENT 21

Span 20 Beam 4

Prestressed Concrete Girder

Element Number	Element Name	Total Qty	CS1 Qty	CS2 Qty	CS3 Qty	CS4 Qty
109	Prestressed Concrete Open Girder/Beam	60	59	1	0	0 Feet

Element Number	Defect Type	Defect Description	CS	CS Qty	Maint Qty
109	Patched Area	SPAN 20 BEAM 4 RIGHT BOTTOM FLANGE OVER BENT 20. sound patch [6in x 8in]	2	1	Feet

General Comments

Span 21 Deck

Reinforced Concrete Deck

Element Number	Element Name	Total Qty	CS1 Qty	CS2 Qty	CS3 Qty	CS4 Qty
12	Reinforced Concrete Deck	2,023	1,753	270	0	0 Square Feet

Element Number	Defect Type	Defect Description	CS	CS Qty	Maint Qty
12	Cracking (RC and Other)	SPAN 21 BOTTOM OF DECK HAS SCATTERED MAP CRACKING.	2	250	250 Square Feet
12	Patched Areas	deck surface at bent 20 and bent 21, multiple sound patches [up to 12ft x up to 1.5ft]	2	20	Square Feet

General Comments

Span 21 Beam 1

Prestressed Concrete Girder

Element Number	Element Name	Total Qty	CS1 Qty	CS2 Qty	CS3 Qty	CS4 Qty
109	Prestressed Concrete Open Girder/Beam	60	59	1	0	0 Feet

Element Number	Defect Type	Defect Description	CS	CS Qty	Maint Qty
109	Patched Area	SPAN 21 BEAM 1 RIGHT BOTTOM FLANGE OVER BENT 20. sound patch [10in x 11in]	2	1	Feet

General Comments

Span 21 Beam 2

Prestressed Concrete Girder

Element Number	Element Name	Total Qty	CS1 Qty	CS2 Qty	CS3 Qty	CS4 Qty
109	Prestressed Concrete Open Girder/Beam	60	58	2	0	0 Feet

Element Number	Defect Type	Defect Description	CS	CS Qty	Maint Qty
109	Patched Area	8" LONG X 18" TALL NEW REPAIR TO BOTTOM RIGHT FLANGE AT BENT 21	2	1	Feet
109	Patched Area	SPAN 21 BEAM 2 LEFT BOTTOM FLANGE OVER BENT 20. sound patch [6in x 8in]	2	1	Feet
109	Delamination/Spall	East face of bottom flange at bent 20, spall/failed patch [7in x 6in x 2in deep] with [2] two exposed rusted strands [up to 25% section loss] (REPAIRED PRIOR TO 2022 INSPECTION)	1		Feet

General Comments

Span 21 Beam 3

Prestressed Concrete Girder

Element Number	Element Name	Total Qty	CS1 Qty	CS2 Qty	CS3 Qty	CS4 Qty
109	Prestressed Concrete Open Girder/Beam	60	57	3	0	0 Feet

Element Number	Defect Type	Defect Description	CS	CS Qty	Maint Qty
109	Patched Area	8" LONG X 18" TALL NEW REPAIR TO BOTTOM LEFT FLANGE AT BENT 21	2	1	Feet
109	Patched Area	SPAN 21 BEAM 3 RIGHT BOTTOM FLANGE OVER BENT 21. sound patch [7in x 6in]	2	1	Feet
109	Patched Area	SPAN 21 BEAM 3 RIGHT BOTTOM FLANGE OVER BENT 20. sound patch [5in x 9in]	2	1	Feet
109	Delamination/Spall	West face of bottom flange at bent 20, spall/failed patch [7in x 6in x 2in deep] with [2] two exposed rusted strands [up to 25% section loss] (REPAIRED PRIOR TO 2022 INSPECTION)	1		Feet

General Comments

Span 21 Beam 4

Prestressed Concrete Girder

Element Number	Element Name	Total Qty	CS1 Qty	CS2 Qty	CS3 Qty	CS4 Qty
109	Prestressed Concrete Open Girder/Beam	60	59	1	0	0 Feet

Element Number	Defect Type	Defect Description	CS	CS Qty	Maint Qty
109	Patched Area	SPAN 21 BEAM 4 RIGHT BOTTOM FLANGE OVER BENT 21. sound patch [8in x 9in]	2	1	Feet

General Comments

Span 22 Deck

Reinforced Concrete Deck

Element Number	Element Name	Total Qty	CS1 Qty	CS2 Qty	CS3 Qty	CS4 Qty
12	Reinforced Concrete Deck	2,023	1,749	274	0	0 Square Feet

Element Number	Defect Type	Defect Description	CS	CS Qty	Maint Qty
----------------	-------------	--------------------	----	--------	-----------

Structure Number: 070007Inspection Date: 03/03/2022

12	Patched Areas	deck surface at bent 21 and bent 22, multiple sound patches [up to 8ft x 2ft]	2	24		Square Feet
12	Cracking (RC and Other)	SPAN 22 BOTTOM OF DECK HAS SCATTERED MAP CRACKING.	2	250	250	Square Feet

General Comments

Span 22

Beam 1

Prestressed Concrete Girder

Element Number	Element Name	Total Qty	CS1 Qty	CS2 Qty	CS3 Qty	CS4 Qty	
109	Prestressed Concrete Open Girder/Beam	60	58	2	0	0	Feet

Element Number	Defect Type	Defect Description	CS	CS Qty	Maint Qty	
109	Patched Area	SPAN 22 BEAM 1 LEFT BOTTOM FLANGE OVER BENT 21. sound patch [7in x 7in]	2	1		Feet
109	Patched Area	SPAN 22 BEAM 1 RIGHT BOTTOM FLANGE OVER BENT 22. sound patch [6in x 8in]	2	1		Feet

General Comments

Span 22

Beam 3

Prestressed Concrete Girder

Element Number	Element Name	Total Qty	CS1 Qty	CS2 Qty	CS3 Qty	CS4 Qty	
109	Prestressed Concrete Open Girder/Beam	60	59	1	0	0	Feet

Element Number	Defect Type	Defect Description	CS	CS Qty	Maint Qty	
109	Patched Area	bottom flange at bent 22, sound patch [8in x full width]	2	1		Feet

General Comments

Span 23

Deck

Reinforced Concrete Deck

Element Number	Element Name	Total Qty	CS1 Qty	CS2 Qty	CS3 Qty	CS4 Qty	
12	Reinforced Concrete Deck	2,023	1,730	293	0	0	Square Feet

Element Number	Defect Type	Defect Description	CS	CS Qty	Maint Qty	
12	Patched Areas	deck surface at bent 22 and bent 23, multiple sound patches [up to full width x up to 3ft]	2	43		Square Feet
12	Cracking (RC and Other)	SPAN 23 BOTTOM OF DECK HAS SCATTERED MAP CRACKING.	2	250	250	Square Feet

General Comments

Span 23

Beam 1

Prestressed Concrete Girder

Element Number	Element Name	Total Qty	CS1 Qty	CS2 Qty	CS3 Qty	CS4 Qty	
109	Prestressed Concrete Open Girder/Beam	60	58	1	1	0	Feet

Element Number	Defect Type	Defect Description	CS	CS Qty	Maint Qty	
109	Delamination/Spall	West face of bottom flange at bent 23, spall [4in x 4in x 2in deep] with [1] one exposed rusted strand [no section loss]	3	1	1	Feet
109	Patched Area	SPAN 23 BEAM 1 RIGHT BOTTOM FLANGE OVER BENT 23. sound patch [6in x 9in]	2	1		Feet

General Comments

Span 23 Beam 2

Prestressed Concrete Girder

Element Number	Element Name	Total Qty	CS1 Qty	CS2 Qty	CS3 Qty	CS4 Qty
109	Prestressed Concrete Open Girder/Beam	60	58	1	1	0 Feet

Element Number	Defect Type	Defect Description	CS	CS Qty	Maint Qty
109	Delamination/Spall	underside of bottom flange at bent 23, spall [4in x 2in x 1in deep] with exposed rusted reinforcing [up to 10% section loss]	3	1	1 Feet
109	Patched Area	SPAN 23 BEAM 2 LEFT BOTTOM FLANGE OVER BENT 23. sound patch [5in x 2in]	2	1	Feet

General Comments

Span 23 Beam 3

Prestressed Concrete Girder

Element Number	Element Name	Total Qty	CS1 Qty	CS2 Qty	CS3 Qty	CS4 Qty
109	Prestressed Concrete Open Girder/Beam	60	55	4	1	0 Feet

Element Number	Defect Type	Defect Description	CS	CS Qty	Maint Qty
109	Delamination/Spall	underside of bottom flange at bent 23, spall [4in x 2in x 1in deep] with exposed rusted reinforcing [up to 10% section loss]	3	1	1 Feet
109	Delamination/Spall	SPAN 23 BEAM 3 RIGHT BOTTOM FLANGE OVER BENT 23. sound patch [6in x 4in]	2	1	1 Feet
109	Patched Area	SPAN 23 BEAM 3 RIGHT BOTTOM FLANGE OVER BENT 22. sound patch [27in x 6in]	2	3	Feet

General Comments

Span 23 Beam 4

Prestressed Concrete Girder

Element Number	Element Name	Total Qty	CS1 Qty	CS2 Qty	CS3 Qty	CS4 Qty
109	Prestressed Concrete Open Girder/Beam	60	57	3	0	0 Feet

Element Number	Defect Type	Defect Description	CS	CS Qty	Maint Qty
109	Patched Area	SPAN 23 BEAM 4 LEFT BOTTOM FLANGE OVER BENT 23. sound patch [11in x 22in]	2	1	Feet
109	Patched Area	SPAN 23 BEAM 4 RIGHT SIDE OVER BENT 23. sound patch [6in x 10in]	2	2	Feet

General Comments

Span 24 Deck

Reinforced Concrete Deck

Element Number	Element Name	Total Qty	CS1 Qty	CS2 Qty	CS3 Qty	CS4 Qty
12	Reinforced Concrete Deck	2,023	1,788	235	0	0 Square Feet

Element Number	Defect Type	Defect Description	CS	CS Qty	Maint Qty
----------------	-------------	--------------------	----	--------	-----------

12	Patched Areas	deck surface at bent 23 and bent 24, multiple sound patches [up to 9ft x up to 1.5ft]	2	35		Square Feet
12	Cracking (RC and Other)	SPAN 24 BOTTOM OF DECK HAS SCATTERED MAP CRACKING.	2	200	200	Square Feet

General Comments

Span 24 Beam 1

Prestressed Concrete Girder

Element Number	Element Name	Total Qty	CS1 Qty	CS2 Qty	CS3 Qty	CS4 Qty	
109	Prestressed Concrete Open Girder/Beam	60	59	1	0	0	Feet

Element Number	Defect Type	Defect Description	CS	CS Qty	Maint Qty	
109	Patched Area	both sides of bottom flange at bent 24, sound patches [12in x 8in]	2	1		Feet

General Comments

Span 24 Beam 2

Prestressed Concrete Girder

Element Number	Element Name	Total Qty	CS1 Qty	CS2 Qty	CS3 Qty	CS4 Qty	
109	Prestressed Concrete Open Girder/Beam	60	59	1	0	0	Feet

Element Number	Defect Type	Defect Description	CS	CS Qty	Maint Qty	
109	Patched Area	10" LONG X 10" TALL NEW REPAIR TO BOTTOM RIGHT FLANGE AT BENT 24	2	1		Feet
109	Patched Area	West face of bottom flange at bent 24, sound patch [12in x 8in]	2			Feet
109	Delamination/Spall	East face of bottom flange at bent 24, spall [3in x 3in x 2in deep] with [1] one exposed rusted strand [up to 10% section loss] (REPAIRED PRIOR TO 2022 INSPECTION)	1			Feet

General Comments

Span 24 Beam 3

Prestressed Concrete Girder

Element Number	Element Name	Total Qty	CS1 Qty	CS2 Qty	CS3 Qty	CS4 Qty	
109	Prestressed Concrete Open Girder/Beam	60	55	5	0	0	Feet

Element Number	Defect Type	Defect Description	CS	CS Qty	Maint Qty	
109	Patched Area	SPAN 24 BEAM 3 LEFT SIDE OVER BENT 24. HAS A PATCHED AREA WITH SCATTERED HAIRLINE CRACKS. PATCH APPEARS TO BE SOUND.	2	1		Feet
109	Patched Area	SPAN 24 BEAM 3 LEFT SIDE AT BENT 23. sound patch [9in x 33in]	2	3		Feet
109	Patched Area	SPAN 24 BEAM 3 RIGHT BOTTOM FLANGE OVER BENT 23. sound patch [6in x 8in]	2			Feet
109	Patched Area	SPAN 24 BOTTOM OF BEAM 3 AT BENT 23. sound patch [4in x 6in]	2	1		Feet

General Comments

Span 24 Beam 4

Prestressed Concrete Girder

Element Number	Element Name	Total Qty	CS1 Qty	CS2 Qty	CS3 Qty	CS4 Qty
109	Prestressed Concrete Open Girder/Beam	60	59	1	0	0 Feet

Element Number	Defect Type	Defect Description	CS	CS Qty	Maint Qty
109	Patched Area	8" LONG X 8" TALL NEW REPAIR TO BOTTOM LEFT FLANGE AT BENT 24	2	1	Feet
109	Delamination/Spall	West face of bottom flange at bent 24, spall [3in x 3in x 2in deep] with [1] one exposed rusted strand [up to 10% section loss] (REPAIRED PRIOR TO 2022 INSPECTION)	1		Feet

General Comments

Span 25 Deck

Reinforced Concrete Deck

Element Number	Element Name	Total Qty	CS1 Qty	CS2 Qty	CS3 Qty	CS4 Qty
12	Reinforced Concrete Deck	2,023	1,898	125	0	0 Square Feet

Element Number	Defect Type	Defect Description	CS	CS Qty	Maint Qty
12	Cracking (RC and Other)	SPAN 25 BOTTOM OF DECK HAS SCATTERED MAP CRACKING.	2	100	100 Square Feet
12	Patched Areas	deck surface at bent 24 and bent 25, multiple sound patches [up to 4ft x 2ft]	2	25	Square Feet

General Comments

Span 25 Beam 1

Prestressed Concrete Girder

Element Number	Element Name	Total Qty	CS1 Qty	CS2 Qty	CS3 Qty	CS4 Qty
109	Prestressed Concrete Open Girder/Beam	60	58	2	0	0 Feet

Element Number	Defect Type	Defect Description	CS	CS Qty	Maint Qty
109	Patched Area	East face of bottom flange at bent 25, sound patch [16in x 8in]	2	1	Feet
109	Patched Area	10" LONG X 10" TALL NEW REPAIR TO BOTTOM LEFT FLANGE AT BENT 25	2	1	Feet
109	Delamination/Spall	West face of bottom flange at bent 25, spall [7in x 5in x 2in deep] with [2] two exposed rusted strands [up to 5% section loss] (REPAIRED PRIOR TO 2022 INSPECTION)	1		Feet

General Comments

Span 25 Beam 2

Prestressed Concrete Girder

Element Number	Element Name	Total Qty	CS1 Qty	CS2 Qty	CS3 Qty	CS4 Qty
109	Prestressed Concrete Open Girder/Beam	60	56	4	0	0 Feet

Element Number	Defect Type	Defect Description	CS	CS Qty	Maint Qty
109	Patched Area	SPAN 25 BEAM 2 LEFT SIDE OVER BENT 24. HAS A PATCHED AREA WITH SCATTERED HAIRLINE CRACKS. PATCH ARE SOUND.	2	2	Feet

109	Patched Area	SPAN 25 BEAM 2 LEFT BOTTOM FLANGE OVER BENT 25. HAS A PATCHED AREA WITH SCATTERED HAIRLINE CRACKS. PATCH ARE SOUND.	2	2	Feet
-----	--------------	---	---	---	------

General Comments

Span 25

Beam 3

Prestressed Concrete Girder

Element Number	Element Name	Total Qty	CS1 Qty	CS2 Qty	CS3 Qty	CS4 Qty
109	Prestressed Concrete Open Girder/Beam	60	54	6	0	0 Feet

Element Number	Defect Type	Defect Description	CS	CS Qty	Maint Qty
109	Delamination/Spall	bottom flange at midspan, multiple spalls [3in diameter x 1/2in deep] with exposed rusted reinforcing [no section loss]	2	2	2 Feet
109	Patched Area	SPAN 25 BEAM 3 LEFT SIDE OVER BENT 24. HAS A PATCHED AREA WITH SCATTERED HAIRLINE CRACKS. PATCH APPEARS TO BE SOUND.	2	3	Feet
109	Patched Area	10" LONG X 8" TALL NEW REPAIR TO BOTTOM RIGHT FLANGE AT BENT 25	2	1	Feet
109	Delamination/Spall	East face of bottom flange at bent 25, spall [7in x 13in x 2in deep] with [1] one exposed rusted strand [up to 5% section loss] (REPAIRED PRIOR TO 2022 INSPECTION)	1		Feet

General Comments

Span 25

Beam 4

Prestressed Concrete Girder

Element Number	Element Name	Total Qty	CS1 Qty	CS2 Qty	CS3 Qty	CS4 Qty
109	Prestressed Concrete Open Girder/Beam	60	56	4	0	0 Feet

Element Number	Defect Type	Defect Description	CS	CS Qty	Maint Qty
109	Patched Area	10" LONG X 10" TALL NEW REPAIR TO BOTTOM LEFT FLANGE AT BENT 25	2	1	Feet
109	Patched Area	SPAN 25 BEAM 4 LEFT SIDE OVER BENT 24. HAS A PATCHED AREA WITH SCATTERED HAIRLINE CRACKS. PATCH APPEARS TO BE SOUND.	2	2	Feet
109	Patched Area	6" LONG X 6" TALL NEW REPAIR TO BOTTOM RIGHT FLANGE AT BENT 25	2	1	Feet
109	Delamination/Spall	East face of bottom flange at bent 25, spall [3in x 3in x 2in deep] with [1] one exposed rusted strand [up to 5% section loss] (REPAIRED PRIOR TO 2022 INSPECTION)	1		Feet
109	Delamination/Spall	West face of bottom flange at bent 25, spall [7in x 7in x 1.5in deep] with [2] two exposed rusted strands [up to 15% section loss] (REPAIRED PRIOR TO 2022 INSPECTION)	1		Feet

General Comments

Span 26

Deck

Reinforced Concrete Deck

Element Number	Element Name	Total Qty	CS1 Qty	CS2 Qty	CS3 Qty	CS4 Qty
12	Reinforced Concrete Deck	2,023	1,837	182	4	0 Square Feet

Element Number	Defect Type	Defect Description	CS	CS Qty	Maint Qty
12	Delamination/Spall	in left shoulder AND IN SOUTH BOUND LANE at bent 26, 2 spalls [4ft x 4in x up to 2in deep]	3	4	4 Square Feet
12	Patched Areas	in right lane over bent 25 and bent 26, sound patch [up to 10ft x 1ft]	2	20	Square Feet

Structure Number: 070007

Inspection Date: 03/03/2022

12	Cracking (RC and Other)	SPAN 26 BOTTOM OF DECK HAS SCATTERED MAP CRACKING.	2	150	150	Square Feet
12	Cracking (RC and Other)	throughout span, multiple longitudinal cracks [up to 1/32in x 2ft]	2	12	12	Square Feet

General Comments

Span 26 Beam 1

Prestressed Concrete Girder

Element Number	Element Name	Total Qty	CS1 Qty	CS2 Qty	CS3 Qty	CS4 Qty
109	Prestressed Concrete Open Girder/Beam	60	57	2	1	0 Feet

Element Number	Defect Type	Defect Description	CS	CS Qty	Maint Qty
109	Delamination/Spall	SPAN 26 BEAM 1 LEFT BOTTOM FLANGE OVER BENT 26. HAS A SPALLED AREA WITH 1 CABLE VISIBLE. AREA IS: 5" x 6" x 2 1/2" DEEP.	3	1	1 Feet
109	Patched Area	SPAN 26 BEAM 1 RIGHT SIDE OVER BENT 25 HAS A PATCHED AREA WITH SCATTERED HAIRLINE CRACKS. PATCH APPEARS TO BE SOUND.	2	2	Feet

General Comments

Span 26 Beam 2

Prestressed Concrete Girder

Element Number	Element Name	Total Qty	CS1 Qty	CS2 Qty	CS3 Qty	CS4 Qty
109	Prestressed Concrete Open Girder/Beam	60	58	1	1	0 Feet

Element Number	Defect Type	Defect Description	CS	CS Qty	Maint Qty
109	Delamination/Spall	SPAN 26 BOTTOM OF BEAM 2 AT BENT 25. HAS A SPALLED AREA. AREA IS: 6" x 9" x 1" DEEP.	3	1	1 Feet
109	Patched Area	SPAN 26 BEAM 2 RIGHT BOTTOM FLANGE OVER BENT 26. sound patch [7in x 8in]	2	1	Feet

General Comments

Span 26 Beam 3

Prestressed Concrete Girder

Element Number	Element Name	Total Qty	CS1 Qty	CS2 Qty	CS3 Qty	CS4 Qty
109	Prestressed Concrete Open Girder/Beam	60	58	2	0	0 Feet

Element Number	Defect Type	Defect Description	CS	CS Qty	Maint Qty
109	Patched Area	SPAN 26 BEAM 3 LEFT BOTTOM FLANGE OVER BENT 26. HAS A PATCHED AREA WITH SCATTERED HAIRLINE CRACKS. PATCH APPEARS TO BE SOUND.	2	2	Feet

General Comments

Span 26 Expansion Joint over Bent 25

Standard Joint

Element Number	Element Name	Total Qty	CS1 Qty	CS2 Qty	CS3 Qty	CS4 Qty
301	Pourable Joint Seal	34	9	25	0	0 Feet

Element Number	Defect Type	Defect Description	CS	CS Qty	Maint Qty
----------------	-------------	--------------------	----	--------	-----------

301 Seal Adhesion EXPANSION JOINT AT BENT 25 HAS CRACKING ALONG THE EDGES OF THE JOINT. 2 25 Feet

General Comments

Span 27 Deck

Reinforced Concrete Deck

Element Number	Element Name	Total Qty	CS1 Qty	CS2 Qty	CS3 Qty	CS4 Qty	
12	Reinforced Concrete Deck	2,023	1,834	189	0	0	Square Feet

Element Number	Defect Type	Defect Description	CS	CS Qty	Maint Qty	
12	Cracking (RC and Other)	throughout span, multiple longitudinal cracks [up to 1/32in x 2ft]	2	15	15	Square Feet
12	Cracking (RC and Other)	SPAN 27 BOTTOM OF DECK HAS SCATTERED MAP CRACKING.	2	150	150	Square Feet
12	Patched Areas	in both lanes at bent 26 and bent 27, multiple sound patches [up to 9ft x 1ft]	2	24		Square Feet

General Comments

Span 27 Beam 1

Prestressed Concrete Girder

Element Number	Element Name	Total Qty	CS1 Qty	CS2 Qty	CS3 Qty	CS4 Qty	
109	Prestressed Concrete Open Girder/Beam	60	59	1	0	0	Feet

Element Number	Defect Type	Defect Description	CS	CS Qty	Maint Qty	
109	Patched Area	West face of bottom flange at bent 27, sound patch [12in x 16in]	2	1		Feet

General Comments

Span 27 Beam 1 Near Bearing

Fixed Bearing

Element Number	Element Name	Total Qty	CS1 Qty	CS2 Qty	CS3 Qty	CS4 Qty	
313	Fixed Bearing	1	0	1	0	0	Each
515	Steel Protective Coating	2	2	0	0	0	Square Feet

Element Number	Defect Type	Defect Description	CS	CS Qty	Maint Qty	
313	Corrosion	RUST STAINS COMING THROUGH PROTECTIVE COATING.	2	1		Each

General Comments

Span 27 Beam 1 Far Bearing

Fixed Bearing

Element Number	Element Name	Total Qty	CS1 Qty	CS2 Qty	CS3 Qty	CS4 Qty	
313	Fixed Bearing	1	0	1	0	0	Each
515	Steel Protective Coating	2	2	0	0	0	Square Feet

Element Number	Defect Type	Defect Description	CS	CS Qty	Maint Qty	
313	Corrosion	RUST STAINS COMING THROUGH PROTECTIVE COATING.	2	1		Each

General Comments

Span 27 **Beam 3****Prestressed Concrete Girder**

Element Number	Element Name	Total Qty	CS1 Qty	CS2 Qty	CS3 Qty	CS4 Qty
109	Prestressed Concrete Open Girder/Beam	60	59	1	0	0 Feet

Element Number	Defect Type	Defect Description	CS	CS Qty	Maint Qty
109	Patched Area	SPAN 27 BEAM 3 LEFT BOTTOM FLANGE OVER BENT 26. sound patch [7in x 9in]	2	1	Feet

General Comments

Span 28 **Deck****Reinforced Concrete Deck**

Element Number	Element Name	Total Qty	CS1 Qty	CS2 Qty	CS3 Qty	CS4 Qty
12	Reinforced Concrete Deck	2,023	1,741	280	2	0 Square Feet

Element Number	Defect Type	Defect Description	CS	CS Qty	Maint Qty
12	Delamination/Spall	underside of right overhang in far third, spall/delamination [18in x 15in x 1in deep] with exposed rusted reinforcing [no section loss]	3	2	2 Square Feet
12	Patched Areas	in both lanes at bent 27 and bent 28, multiple sound patches [up to 5ft x 1ft]	2	10	Square Feet
12	Cracking (RC and Other)	SPAN 28 BOTTOM OF DECK HAS SCATTERED MAP CRACKING.	2	250	250 Square Feet
12	Cracking (RC and Other)	throughout span, multiple longitudinal cracks [up to 1/32in x 2ft]	2	20	20 Square Feet

General Comments

Span 28 **Beam 1****Prestressed Concrete Girder**

Element Number	Element Name	Total Qty	CS1 Qty	CS2 Qty	CS3 Qty	CS4 Qty
109	Prestressed Concrete Open Girder/Beam	60	56	4	0	0 Feet

Element Number	Defect Type	Defect Description	CS	CS Qty	Maint Qty
109	Patched Area	SPAN 28 BEAM 1 LEFT BOTTOM FLANGE OVER BENT 27. HAS A PATCHED AREA WITH SCATTERED HAIRLINE CRACKS. PATCH APPEARS TO BE SOUND.	2	2	Feet
109	Patched Area	10" LONG X 10" TALL NEW REPAIR TO BOTTOM LEFT FLANGE AT BENT 28	2	1	Feet
109	Patched Area	SPAN 28 BEAM 1 RIGHT BOTTOM FLANGE OVER BENT 27. sound patch [12in x 12in]	2		Feet
109	Patched Area	8" LONG X 8" WIDE NEW REPAIR TO UNDERSIDE OF BOTTOM FLANGE AT 8' FROM BENT 27	2	1	Feet
109	Delamination/Spall	underside of bottom flange at 18ft from bent 27, spall [12in x 4in x 1in deep] with [1] one exposed rusted strand [up to 10% section loss] (REPAIRED PRIOR TO 2022 INSPECTION)	1		Feet
109	Delamination/Spall	West face of bottom flange at bent 28, spall [9in x 11in x 2in deep] with [2] two exposed rusted strands [up to 15% section loss] (REPAIRED PRIOR TO 2022 INSPECTION)	1		Feet

General Comments

Span 28 Beam 3

Prestressed Concrete Girder

Element Number	Element Name	Total Qty	CS1 Qty	CS2 Qty	CS3 Qty	CS4 Qty
109	Prestressed Concrete Open Girder/Beam	60	58	2	0	0 Feet

Element Number	Defect Type	Defect Description	CS	CS Qty	Maint Qty
109	Patched Area	6" LONG X 4" TALL NEW REPAIR TO BOTTOM RIGHT FLANGE AT BENT 28	2	1	Feet
109	Patched Area	8" LONG X 8" TALL NEW REPAIR TO BOTTOM LEFT FLANGE AT BENT 28	2	1	Feet
109	Delamination/Spall	West face of bottom flange at bent 28, spall [6in x 6in x 2in deep] with [2] two exposed rusted strands [up to 20% section loss] (REPAIRED PRIOR TO 2022 INSPECTION)	1		Feet
109	Delamination/Spall	SPAN 28 BEAM 3 RIGHT BOTTOM FLANGE OVER BENT 28. spall [4in x 8in x 2in deep] (REPAIRED PRIOR TO 2022 INSPECTION)	1		Feet

General Comments

Span 28 Beam 4

Prestressed Concrete Girder

Element Number	Element Name	Total Qty	CS1 Qty	CS2 Qty	CS3 Qty	CS4 Qty
109	Prestressed Concrete Open Girder/Beam	60	58	2	0	0 Feet

Element Number	Defect Type	Defect Description	CS	CS Qty	Maint Qty
109	Patched Area	SPAN 28 BOTTOM OF BEAM 4 LOCATED 20' FROM BENT 27. sound patch [10in x 22in]	2	2	Feet

General Comments

Span 29 Deck

Reinforced Concrete Deck

Element Number	Element Name	Total Qty	CS1 Qty	CS2 Qty	CS3 Qty	CS4 Qty
12	Reinforced Concrete Deck	2,023	1,878	145	0	0 Square Feet

Element Number	Defect Type	Defect Description	CS	CS Qty	Maint Qty
12	Patched Areas	in both lanes at bent 28 and bent 29, multiple sound patches [up to 13ft x 3ft]	2	45	Square Feet
12	Cracking (RC and Other)	SPAN 29 BOTTOM OF DECK HAS SCATTERED MAP CRACKING.	2	100	100 Square Feet

General Comments

Span 29 Expansion Joint over Bent 28

Standard Joint

Element Number	Element Name	Total Qty	CS1 Qty	CS2 Qty	CS3 Qty	CS4 Qty
301	Pourable Joint Seal	34	33	0	0	1 Feet

Element Number	Defect Type	Defect Description	CS	CS Qty	Maint Qty
301	Seal Adhesion	in left lane, loss of seal adhesion [1ft x full depth]	4	1	1 Feet

General Comments

Span 30 Deck

Reinforced Concrete Deck

Element Number	Element Name	Total Qty	CS1 Qty	CS2 Qty	CS3 Qty	CS4 Qty
12	Reinforced Concrete Deck	2,023	1,727	296	0	0 Square Feet

Element Number	Defect Type	Defect Description	CS	CS Qty	Maint Qty
12	Cracking (RC and Other)	throughout span, multiple longitudinal cracks [up to 1/32in x 1ft]	2	18	18 Square Feet
12	Cracking (RC and Other)	SPAN 30 BOTTOM OF DECK HAS SCATTERED MAP CRACKING.	2	250	250 Square Feet
12	Patched Areas	in both lanes at bent 29 and bent 30, multiple sound patches [up to 1ft x 1ft]	2	28	Square Feet

General Comments

Span 30 Beam 1

Prestressed Concrete Girder

Element Number	Element Name	Total Qty	CS1 Qty	CS2 Qty	CS3 Qty	CS4 Qty
109	Prestressed Concrete Open Girder/Beam	60	58	2	0	0 Feet

Element Number	Defect Type	Defect Description	CS	CS Qty	Maint Qty
109	Delamination/Spall	SPAN 30 BEAM 1 RIGHT BOTTOM FLANGE OVER BENT 29. HAS A CRACKED AND DELAMINATED AREA. AREA IS: 5" x 8"	2	1	1 Feet
109	Delamination/Spall	SPAN 30 BEAM 1 RIGHT SIDE OVER BENT 30. HAS A CRACKED AND DELAMINATED AREA. AREA IS: 10" x 10"	2	1	1 Feet

General Comments

Span 30 Beam 3

Prestressed Concrete Girder

Element Number	Element Name	Total Qty	CS1 Qty	CS2 Qty	CS3 Qty	CS4 Qty
109	Prestressed Concrete Open Girder/Beam	60	55	5	0	0 Feet

Element Number	Defect Type	Defect Description	CS	CS Qty	Maint Qty
109	Delamination/Spall	SPAN 30 BEAM 3 BOTTOM AND LEFT BOTTOM FLANGE. HAS A CRACKED AND DELAMINATED AREA LOCATED 9" FROM BENT 29. AREA IS: FROM BOTTOM EDGE BACK 3", FROM BOTTOM EDGE UP 3" x 22"	2	2	2 Feet
109	Patched Area	SPAN 30 BEAM 3 RIGHT BOTTOM FLANGE OVER BENT 30. sound patch [6in x 8in]	2	1	Feet
109	Patched Area	SPAN 30 BOTTOM OF BEAM 3 AT BENT 29. sound patch [4in x 6in]	2	1	Feet
109	Patched Area	SPAN 30 BEAM 3 LEFT BOTTOM FLANGE OVER BENT 29. HAS A PATCHED AREA THAT IS SOUND.	2	1	Feet

General Comments

Span 30 Beam 4

Prestressed Concrete Girder

Element Number	Element Name	Total Qty	CS1 Qty	CS2 Qty	CS3 Qty	CS4 Qty
109	Prestressed Concrete Open Girder/Beam	60	59	1	0	0 Feet

Element Number	Defect Type	Defect Description	CS	CS Qty	Maint Qty
----------------	-------------	--------------------	----	--------	-----------

Structure Number: 070007Inspection Date: 03/03/2022

109	Delamination/Spall	East face of bottom flange at bent 30, spall [4in x 2in x 2in deep] with exposed rusted strand [no section loss]	3			1	Feet
109	Patched Area	8" LONG X 8" TALL NEW REPAIR TO BOTTOM LEFT FLANGE AT BENT 30	2	1			Feet
109	Delamination/Spall	West face of bottom flange at bent 30, spall [4in x 5in x 1.5in deep] with [1] one exposed rusted strand [up to 20% section loss] (REPAIRED PRIOR TO 2022 INSPECTION)	1				Feet

General Comments

Span 30 Expansion Joint over Bent 29

Standard Joint

Element Number	Element Name	Total Qty	CS1 Qty	CS2 Qty	CS3 Qty	CS4 Qty	
301	Pourable Joint Seal	34	32	0	0	2	Feet

Element Number	Defect Type	Defect Description	CS	CS Qty	Maint Qty	
301	Seal Adhesion	in right lane, loss of seal adhesion [up to 1ft x full depth]	4	2	2	Feet

General Comments

Span 31 Deck

Reinforced Concrete Deck

Element Number	Element Name	Total Qty	CS1 Qty	CS2 Qty	CS3 Qty	CS4 Qty	
12	Reinforced Concrete Deck	2,023	1,797	226	0	0	Square Feet

Element Number	Defect Type	Defect Description	CS	CS Qty	Maint Qty	
12	Cracking (RC and Other)	SPAN 31 BOTTOM OF DECK HAS SCATTERED MAP CRACKING [up to 1/32in]	2	200	200	Square Feet
12	Patched Areas	in both lanes at bent 30 and bent 31, multiple sound patches [up to 10ft x 1ft]	2	26		Square Feet

General Comments

Span 31 Beam 1

Prestressed Concrete Girder

Element Number	Element Name	Total Qty	CS1 Qty	CS2 Qty	CS3 Qty	CS4 Qty	
109	Prestressed Concrete Open Girder/Beam	60	58	0	2	0	Feet

Element Number	Defect Type	Defect Description	CS	CS Qty	Maint Qty	
109	Delamination/Spall	underside of bottom flange at near end, spall [10in x 5in x 3/4in] with one exposed stirrup [section loss < 1/16in]	3	1	1	Feet
109	Cracking (PSC)	both faces of bottom flange at bent 31, delamination [5in x 10in] with adjacent associated cracks [up to 0.012in]	3	1	1	Feet

General Comments

Span 31 Beam 1 Far Bearing

Fixed Bearing

Element Number	Element Name	Total Qty	CS1 Qty	CS2 Qty	CS3 Qty	CS4 Qty	
313	Fixed Bearing	1	0	1	0	0	Each
515	Steel Protective Coating	2	1	0	1	0	Square Feet

Element Number	Defect Type	Defect Description	CS	CS Qty	Maint Qty	
313	Corrosion	throughout bearing, spot rust	2	1		Each
515	Effectiveness (Steel Protective Coatings)	limited paint effectiveness with spot rust	3	1	1	Square Feet

General Comments

Span 31 Beam 2

Prestressed Concrete Girder

Element Number	Element Name	Total Qty	CS1 Qty	CS2 Qty	CS3 Qty	CS4 Qty	
109	Prestressed Concrete Open Girder/Beam	60	59	0	1	0	Feet

Element Number	Defect Type	Defect Description	CS	CS Qty	Maint Qty	
109	Delamination/Spall	SPAN 31 BEAM 2 RIGHT BOTTOM FLANGE OVER BENT 31. HAS A SPALLED AREA. AREA IS: 3" x 4" x 1 1/2" DEEP.	3	1	1	Feet

General Comments

Span 31 Beam 2 Far Bearing

Fixed Bearing

Element Number	Element Name	Total Qty	CS1 Qty	CS2 Qty	CS3 Qty	CS4 Qty	
313	Fixed Bearing	1	0	1	0	0	Each
515	Steel Protective Coating	2	1	0	1	0	Square Feet

Element Number	Defect Type	Defect Description	CS	CS Qty	Maint Qty	
313	Corrosion	throughout bearing, spot rust	2	1		Each
515	Effectiveness (Steel Protective Coatings)	limited paint effectiveness with spot rust	3	1	1	Square Feet

General Comments

Span 31 Beam 3

Prestressed Concrete Girder

Element Number	Element Name	Total Qty	CS1 Qty	CS2 Qty	CS3 Qty	CS4 Qty	
109	Prestressed Concrete Open Girder/Beam	60	58	2	0	0	Feet

Element Number	Defect Type	Defect Description	CS	CS Qty	Maint Qty	
109	Delamination/Spall	underside of bottom flange at far end, delamination [8in x 3in]	2	1	1	Feet
109	Patched Area	both faces of bottom flange at bent 30, [2] two sound patches [up to 12in x 10in]	2	1		Feet

General Comments

Span 31 **Beam 3 Near Bearing**
Fixed Bearing

Element Number	Element Name	Total Qty	CS1 Qty	CS2 Qty	CS3 Qty	CS4 Qty	
313	Fixed Bearing	1	0	1	0	0	Each
515	Steel Protective Coating	2	1	0	1	0	Square Feet

Element Number	Defect Type	Defect Description	CS	CS Qty	Maint Qty	
313	Corrosion	throughout bearing, painted over pitting [up to 1/4in] with reactivated spot rust	2	1		Each
515	Effectiveness (Steel Protective Coatings)	limited paint effectiveness with spot rust	3	1	1	Square Feet

General Comments

Span 31 **Beam 3 Far Bearing**
Fixed Bearing

Element Number	Element Name	Total Qty	CS1 Qty	CS2 Qty	CS3 Qty	CS4 Qty	
313	Fixed Bearing	1	0	1	0	0	Each
515	Steel Protective Coating	2	1	0	1	0	Square Feet

Element Number	Defect Type	Defect Description	CS	CS Qty	Maint Qty	
313	Corrosion	throughout bearing, painted over pitting [up to 1/8in] with reactivated spot rust	2	1		Each
515	Effectiveness (Steel Protective Coatings)	limited paint effectiveness with spot rust	3	1	1	Square Feet

General Comments

Span 31 **Beam 4 Near Bearing**
Fixed Bearing

Element Number	Element Name	Total Qty	CS1 Qty	CS2 Qty	CS3 Qty	CS4 Qty	
313	Fixed Bearing	1	0	1	0	0	Each
515	Steel Protective Coating	2	1	0	1	0	Square Feet

Element Number	Defect Type	Defect Description	CS	CS Qty	Maint Qty	
313	Corrosion	throughout bearing, painted over pitting [up to 1/4in] with reactivated spot rust	2	1		Each
515	Effectiveness (Steel Protective Coatings)	limited paint effectiveness with spot rust	3	1	1	Square Feet

General Comments

Span 31 **Beam 4 Far Bearing**
Fixed Bearing

Element Number	Element Name	Total Qty	CS1 Qty	CS2 Qty	CS3 Qty	CS4 Qty	
313	Fixed Bearing	1	0	1	0	0	Each
515	Steel Protective Coating	2	1	0	1	0	Square Feet

Element Number	Defect Type	Defect Description	CS	CS Qty	Maint Qty	
313	Corrosion	throughout bearing, painted over pitting [up to 1/4in] with reactivated spot rust	2	1		Each

515	Effectiveness (Steel Protective Coatings)	limited paint effectiveness with spot rust	3	1	1	Square Feet
General Comments						

Span 32 Deck

Reinforced Concrete Deck

Element Number	Element Name	Total Qty	CS1 Qty	CS2 Qty	CS3 Qty	CS4 Qty	
12	Reinforced Concrete Deck	2,023	2,011	12	0	0	Square Feet
Element Number	Defect Type	Defect Description	CS	CS Qty	Maint Qty		
12	Patched Areas	in left lane at bent 31 and bent 32, multiple sound patches [up to 4ft x 1ft]	2	12			Square Feet
12	Cracking (RC and Other)	SPAN 32 BOTTOM OF DECK HAS SCATTERED HAIRLINE MAP CRACKING.	1	150			Square Feet
General Comments							

Span 32 Beam 1

Prestressed Concrete Girder

Element Number	Element Name	Total Qty	CS1 Qty	CS2 Qty	CS3 Qty	CS4 Qty	
109	Prestressed Concrete Open Girder/Beam	60	58	2	0	0	Feet
Element Number	Defect Type	Defect Description	CS	CS Qty	Maint Qty		
109	Patched Area	18" LONG X 12" TALL NEW REPAIR TO BOTTOM RIGHT FLANGE AT BENT 32	2	2			Feet
109	Delamination/Spall	East face of bottom flange at bent 32, spall [12in x 8in x up to 2.25in deep] with [2] two exposed rusted strands [up to 1/16in section loss] (REPAIRED PRIOR TO 2022 INSPECTION)	1				Feet
General Comments							

Span 32 Beam 1 Near Bearing

Fixed Bearing

Element Number	Element Name	Total Qty	CS1 Qty	CS2 Qty	CS3 Qty	CS4 Qty	
313	Fixed Bearing	1	0	1	0	0	Each
515	Steel Protective Coating	2	1	0	1	0	Square Feet
Element Number	Defect Type	Defect Description	CS	CS Qty	Maint Qty		
313	Corrosion	painted over pack rust [up to 1/8in] with reactivated spot rust	2	1			Each
515	Effectiveness (Steel Protective Coatings)	limited paint effectiveness with spot rust	3	1		1	Square Feet
General Comments							

Span 32 Beam 1 Far Bearing

Fixed Bearing

Element Number	Element Name	Total Qty	CS1 Qty	CS2 Qty	CS3 Qty	CS4 Qty	
313	Fixed Bearing	1	0	1	0	0	Each
515	Steel Protective Coating	2	1	0	1	0	Square Feet

Element Number	Defect Type	Defect Description	CS	CS Qty	Maint Qty	
313	Corrosion	painted over pack rust [up to 1/4in] with reactivated spot rust	2	1		Each
515	Effectiveness (Steel Protective Coatings)	limited paint effectiveness with spot rust	3	1	1	Square Feet

General Comments

Span 32 Beam 2

Prestressed Concrete Girder

Element Number	Element Name	Total Qty	CS1 Qty	CS2 Qty	CS3 Qty	CS4 Qty	
109	Prestressed Concrete Open Girder/Beam	60	57	2	1	0	Feet

Element Number	Defect Type	Defect Description	CS	CS Qty	Maint Qty	
109	Delamination/Spall	underside of bottom flange at far end, delamination/spall [up to 7in x full width x up to 1/2in deep]	3	1	1	Feet
109	Patched Area	West face of bottom flange at far end, sound patch [13in x 10in]	2	2		Feet

General Comments

Span 32 Beam 2 Near Bearing

Fixed Bearing

Element Number	Element Name	Total Qty	CS1 Qty	CS2 Qty	CS3 Qty	CS4 Qty	
313	Fixed Bearing	1	0	1	0	0	Each
515	Steel Protective Coating	2	1	0	1	0	Square Feet

Element Number	Defect Type	Defect Description	CS	CS Qty	Maint Qty	
313	Corrosion	painted over pack rust [up to 1/8in] with reactivated spot rust	2	1		Each
515	Effectiveness (Steel Protective Coatings)	limited paint effectiveness with spot rust	3	1	1	Square Feet

General Comments

Span 32 Beam 2 Far Bearing

Fixed Bearing

Element Number	Element Name	Total Qty	CS1 Qty	CS2 Qty	CS3 Qty	CS4 Qty	
313	Fixed Bearing	1	0	1	0	0	Each
515	Steel Protective Coating	2	1	0	1	0	Square Feet

Element Number	Defect Type	Defect Description	CS	CS Qty	Maint Qty	
313	Corrosion	painted over pitting [up to 1/4in] and pack rust [up to 1/8in] with reactivated spot rust	2	1		Each
515	Effectiveness (Steel Protective Coatings)	limited paint effectiveness with spot rust	3	1	1	Square Feet

General Comments

Span 32 Beam 3

Prestressed Concrete Girder

Element Number	Element Name	Total Qty	CS1 Qty	CS2 Qty	CS3 Qty	CS4 Qty	
109	Prestressed Concrete Open Girder/Beam	60	58	1	1	0	Feet

Element Number	Defect Type	Defect Description	CS	CS Qty	Maint Qty	
109	Cracking (PSC)	underside of bottom flange at far, delamination [6in x 6in] with adjacent associated cracking [up to 0.03in]	3	1	1	Feet
109	Patched Area	West bottom flange at far end, sound patch [12in x 6in]	2	1		Feet

General Comments

Span 32 Beam 3 Near Bearing

Fixed Bearing

Element Number	Element Name	Total Qty	CS1 Qty	CS2 Qty	CS3 Qty	CS4 Qty	
313	Fixed Bearing	1	0	1	0	0	Each
515	Steel Protective Coating	2	1	0	1	0	Square Feet

Element Number	Defect Type	Defect Description	CS	CS Qty	Maint Qty	
313	Corrosion	painted over pack rust [up to 1/8in] with reactivated spot rust	2	1		Each
515	Effectiveness (Steel Protective Coatings)	limited paint effectiveness with spot rust	3	1	1	Square Feet

General Comments

Span 32 Beam 3 Far Bearing

Fixed Bearing

Element Number	Element Name	Total Qty	CS1 Qty	CS2 Qty	CS3 Qty	CS4 Qty	
313	Fixed Bearing	1	0	1	0	0	Each
515	Steel Protective Coating	2	1	0	1	0	Square Feet

Element Number	Defect Type	Defect Description	CS	CS Qty	Maint Qty	
313	Corrosion	painted over pitting [up to 1/4in] and pack rust [up to 1/4in] with reactivated spot rust	2	1		Each
515	Effectiveness (Steel Protective Coatings)	limited paint effectiveness with spot rust	3	1	1	Square Feet

General Comments

Span 32 Beam 4 Near Bearing

Fixed Bearing

Element Number	Element Name	Total Qty	CS1 Qty	CS2 Qty	CS3 Qty	CS4 Qty	
313	Fixed Bearing	1	0	1	0	0	Each
515	Steel Protective Coating	2	1	0	1	0	Square Feet

Element Number	Defect Type	Defect Description	CS	CS Qty	Maint Qty	
----------------	-------------	--------------------	----	--------	-----------	--

Structure Number: 070007

Inspection Date: 03/03/2022

313	Corrosion	painted over pack rust [up to 1/4in] with reactivated spot rust	2	1	Each
515	Effectiveness (Steel Protective Coatings)	limited paint effectiveness with spot rust	3	1	1 Square Feet

General Comments

Span 32 Beam 4 Far Bearing

Fixed Bearing

Element Number	Element Name	Total Qty	CS1 Qty	CS2 Qty	CS3 Qty	CS4 Qty
313	Fixed Bearing	1	0	1	0	0 Each
515	Steel Protective Coating	2	1	0	1	0 Square Feet

Element Number	Defect Type	Defect Description	CS	CS Qty	Maint Qty
313	Corrosion	painted over pack rust [up to 1/8in] with reactivated spot rust	2	1	Each
515	Effectiveness (Steel Protective Coatings)	limited paint effectiveness with spot rust	3	1	1 Square Feet

General Comments

Span 33 Deck

Reinforced Concrete Deck

Element Number	Element Name	Total Qty	CS1 Qty	CS2 Qty	CS3 Qty	CS4 Qty
12	Reinforced Concrete Deck	2,023	1,998	7	18	0 Square Feet

Element Number	Defect Type	Defect Description	CS	CS Qty	Maint Qty
12	Cracking (RC and Other)	throughout surface, multiple longitudinal cracks and transverse cracks [up to 1/16in x 2ft]	3	18	18 Square Feet
12	Patched Areas	In left lane at bent 32 and 33, multiple sound patches [up to 3ft x 1ft]	2	7	Square Feet
12	Cracking (RC and Other)	SPAN 33 BOTTOM OF DECK HAS SCATTERED HAIRLINE MAP CRACKING.	1	150	Square Feet

General Comments

Span 33 Beam 1

Prestressed Concrete Girder

Element Number	Element Name	Total Qty	CS1 Qty	CS2 Qty	CS3 Qty	CS4 Qty
109	Prestressed Concrete Open Girder/Beam	60	59	1	0	0 Feet

Element Number	Defect Type	Defect Description	CS	CS Qty	Maint Qty
109	Patched Area	both faces of bottom flange at far end, sound patches [up to 15in x up to 7in]	2	1	Feet

General Comments

Span 33 Beam 1 Near Bearing

Fixed Bearing

Element Number	Element Name	Total Qty	CS1 Qty	CS2 Qty	CS3 Qty	CS4 Qty	
313	Fixed Bearing	1	0	1	0	0	Each
515	Steel Protective Coating	2	1	0	1	0	Square Feet

Element Number	Defect Type	Defect Description	CS	CS Qty	Maint Qty	
313	Corrosion	painted over pitting [up to 1/4in] and pack rust [up to 1/8in] with reactivated spot rust	2	1		Each
515	Effectiveness (Steel Protective Coatings)	limited paint effectiveness with spot rust	3	1	1	Square Feet

General Comments

Span 33 Beam 1 Far Bearing

Fixed Bearing

Element Number	Element Name	Total Qty	CS1 Qty	CS2 Qty	CS3 Qty	CS4 Qty	
313	Fixed Bearing	1	0	1	0	0	Each
515	Steel Protective Coating	2	1	0	1	0	Square Feet

Element Number	Defect Type	Defect Description	CS	CS Qty	Maint Qty	
313	Corrosion	painted over pitting [up to 1/4in] and pack rust [up to 1/8in] with reactivated spot rust	2	1		Each
515	Effectiveness (Steel Protective Coatings)	limited paint effectiveness with spot rust	3	1	1	Square Feet

General Comments

Span 33 Beam 2

Prestressed Concrete Girder

Element Number	Element Name	Total Qty	CS1 Qty	CS2 Qty	CS3 Qty	CS4 Qty	
109	Prestressed Concrete Open Girder/Beam	60	58	2	0	0	Feet

Element Number	Defect Type	Defect Description	CS	CS Qty	Maint Qty	
109	Patched Area	both faces and underside of bottom flange at far end, [3] three sound patches [up to 6in x 6in]	2	2		Feet

General Comments

Span 33 Beam 2 Near Bearing

Fixed Bearing

Element Number	Element Name	Total Qty	CS1 Qty	CS2 Qty	CS3 Qty	CS4 Qty	
313	Fixed Bearing	1	0	1	0	0	Each
515	Steel Protective Coating	2	1	0	1	0	Square Feet

Element Number	Defect Type	Defect Description	CS	CS Qty	Maint Qty	
313	Corrosion	painted over pitting [up to 1/8in] and pack rust [up to 1/16in] with reactivated spot rust	2	1		Each
515	Effectiveness (Steel Protective Coatings)	limited paint effectiveness with spot rust	3	1	1	Square Feet

General Comments

Span 33		Beam 2 Far Bearing				
Fixed Bearing						
Element Number	Element Name	Total Qty	CS1 Qty	CS2 Qty	CS3 Qty	CS4 Qty
313	Fixed Bearing	1	0	1	0	0 Each
515	Steel Protective Coating	2	1	0	1	0 Square Feet
Element Number	Defect Type	Defect Description	CS	CS Qty	Maint Qty	
313	Corrosion	painted over pitting [up to 1/4in] and pack rust [up to 1/8in] with reactivated spot rust	2	1		Each
515	Effectiveness (Steel Protective Coatings)	limited paint effectiveness with spot rust	3	1	1	Square Feet
General Comments						

Span 33		Beam 3				
Prestressed Concrete Girder						
Element Number	Element Name	Total Qty	CS1 Qty	CS2 Qty	CS3 Qty	CS4 Qty
109	Prestressed Concrete Open Girder/Beam	60	59	0	1	0 Feet
Element Number	Defect Type	Defect Description	CS	CS Qty	Maint Qty	
109	Cracking (PSC)	underside of bottom flange at near end, delamination [6in x 4in] with adjacent associated crack [up to 0.05in]	3	1	1	Feet
General Comments						

Span 33		Beam 3 Near Bearing				
Fixed Bearing						
Element Number	Element Name	Total Qty	CS1 Qty	CS2 Qty	CS3 Qty	CS4 Qty
313	Fixed Bearing	1	0	1	0	0 Each
515	Steel Protective Coating	2	1	0	1	0 Square Feet
Element Number	Defect Type	Defect Description	CS	CS Qty	Maint Qty	
313	Corrosion	painted over pitting [up to 1/8in] and pack rust [up to 1/16in] with reactivated spot rust	2	1		Each
515	Effectiveness (Steel Protective Coatings)	limited paint effectiveness with spot rust	3	1	1	Square Feet
General Comments						

Span 33		Beam 3 Far Bearing				
Fixed Bearing						
Element Number	Element Name	Total Qty	CS1 Qty	CS2 Qty	CS3 Qty	CS4 Qty
313	Fixed Bearing	1	0	1	0	0 Each
515	Steel Protective Coating	2	1	0	1	0 Square Feet
Element Number	Defect Type	Defect Description	CS	CS Qty	Maint Qty	
313	Corrosion	painted over pitting [up to 1/4in] and pack rust [up to 1/8in] with reactivated spot rust	2	1		Each
515	Effectiveness (Steel Protective Coatings)	limited paint effectiveness with spot rust	3	1	1	Square Feet

General Comments

Span 33 Beam 4

Prestressed Concrete Girder

Element Number	Element Name	Total Qty	CS1 Qty	CS2 Qty	CS3 Qty	CS4 Qty	
109	Prestressed Concrete Open Girder/Beam	60	57	3	0	0	Feet

Element Number	Defect Type	Defect Description	CS	CS Qty	Maint Qty	
109	Patched Area	12" LONG X 10" TALL NEW REPAIR TO BOTTOM LEFT FLANGE AT BENT 32	2	1		Feet
109	Delamination/Spall	underside of bottom flange at far end, spall [5in x 4in x 3/4in deep]	2	1	1	Feet
109	Patched Area	10" LONG X 10" TALL NEW REPAIR TO BOTTOM RIGHT FLANGE AT BENT 32	2	1		Feet
109	Delamination/Spall	West face of bottom flange at bent 32, spall [12in x up to 7in x up to 2.25in deep] with [2] two exposed rusted strands [up to 1/16in section loss] (REPAIRED PRIOR TO 2022 INSPECTION)	1			Feet
109	Delamination/Spall	East face of bottom flange at bent 32, spall [10in x 7in x up to 1.75in deep] with [2] two exposed rusted strands [up to 1/16in section loss] (REPAIRED PRIOR TO 2022 INSPECTION)	1			Feet

General Comments

Span 33 Beam 4 Near Bearing

Fixed Bearing

Element Number	Element Name	Total Qty	CS1 Qty	CS2 Qty	CS3 Qty	CS4 Qty	
313	Fixed Bearing	1	0	1	0	0	Each
515	Steel Protective Coating	2	1	0	1	0	Square Feet

Element Number	Defect Type	Defect Description	CS	CS Qty	Maint Qty	
313	Corrosion	painted over pitting [up to 1/4in] and pack rust [up to 1/8in] with reactivated spot rust	2	1		Each
515	Effectiveness (Steel Protective Coatings)	limited paint effectiveness with spot rust	3	1	1	Square Feet

General Comments

Span 33 Beam 4 Far Bearing

Fixed Bearing

Element Number	Element Name	Total Qty	CS1 Qty	CS2 Qty	CS3 Qty	CS4 Qty	
313	Fixed Bearing	1	0	1	0	0	Each
515	Steel Protective Coating	2	1	0	1	0	Square Feet

Element Number	Defect Type	Defect Description	CS	CS Qty	Maint Qty	
313	Corrosion	painted over pitting [up to 1/4in] and pack rust [up to 1/8in] with reactivated spot rust	2	1		Each
515	Effectiveness (Steel Protective Coatings)	limited paint effectiveness with spot rust	3	1	1	Square Feet

General Comments

Span 34 Deck

Reinforced Concrete Deck

Element Number	Element Name	Total Qty	CS1 Qty	CS2 Qty	CS3 Qty	CS4 Qty	
12	Reinforced Concrete Deck	2,023	2,007	16	0	0	Square Feet

Element Number	Defect Type	Defect Description	CS	CS Qty	Maint Qty	
12	Patched Areas	in left lane at bent 33 and both lanes at bent 34, multiple sound patches [up to 10ft x 1ft]	2	16		Square Feet
12	Cracking (RC and Other)	SPAN 34 BOTTOM OF DECK HAS SCATTERED HAIRLINE MAP CRACKING.	1	200		Square Feet

General Comments

Span 34 Expansion Joint over Bent 33

Standard Joint

Element Number	Element Name	Total Qty	CS1 Qty	CS2 Qty	CS3 Qty	CS4 Qty	
301	Pourable Joint Seal	34	33	0	0	1	Feet

Element Number	Defect Type	Defect Description	CS	CS Qty	Maint Qty	
301	Seal Adhesion	At centerline, adhesion failure [1ft x full depth]	4	1	1	Feet

General Comments

Span 34 Beam 1

Prestressed Concrete Girder

Element Number	Element Name	Total Qty	CS1 Qty	CS2 Qty	CS3 Qty	CS4 Qty	
109	Prestressed Concrete Open Girder/Beam	60	59	0	1	0	Feet

Element Number	Defect Type	Defect Description	CS	CS Qty	Maint Qty	
109	Cracking (PSC)	underside of bottom flange at near end, delamination [6in x 7in] with associated crack [up to 0.05in]	3	1	1	Feet

General Comments

Span 34 Beam 1 Near Bearing

Fixed Bearing

Element Number	Element Name	Total Qty	CS1 Qty	CS2 Qty	CS3 Qty	CS4 Qty	
313	Fixed Bearing	1	0	1	0	0	Each
515	Steel Protective Coating	2	1	0	1	0	Square Feet

Element Number	Defect Type	Defect Description	CS	CS Qty	Maint Qty	
313	Corrosion	throughout bearing, spot rust	2	1		Each
515	Effectiveness (Steel Protective Coatings)	limited paint effectiveness with spot rust	3	1	1	Square Feet

General Comments

Span 34 Beam 1 Far Bearing

Fixed Bearing

Element Number	Element Name	Total Qty	CS1 Qty	CS2 Qty	CS3 Qty	CS4 Qty
313	Fixed Bearing	1	0	1	0	0 Each
515	Steel Protective Coating	2	1	0	1	0 Square Feet

Element Number	Defect Type	Defect Description	CS	CS Qty	Maint Qty
313	Corrosion	painted over pitting [up to 1/8in] with reactivated spot rust	2	1	Each
515	Effectiveness (Steel Protective Coatings)	limited paint effectiveness with spot rust	3	1	1 Square Feet

General Comments

Span 34 Beam 2

Prestressed Concrete Girder

Element Number	Element Name	Total Qty	CS1 Qty	CS2 Qty	CS3 Qty	CS4 Qty
109	Prestressed Concrete Open Girder/Beam	60	59	0	1	0 Feet

Element Number	Defect Type	Defect Description	CS	CS Qty	Maint Qty
109	Cracking (PSC)	underside of bottom flange at near end, delamination [4in x 4in] with associated crack [up to 0.012in]	3	1	1 Feet

General Comments

Span 34 Beam 2 Near Bearing

Fixed Bearing

Element Number	Element Name	Total Qty	CS1 Qty	CS2 Qty	CS3 Qty	CS4 Qty
313	Fixed Bearing	1	0	1	0	0 Each
515	Steel Protective Coating	2	1	0	1	0 Square Feet

Element Number	Defect Type	Defect Description	CS	CS Qty	Maint Qty
313	Corrosion	throughout bearing, spot rust	2	1	Each
515	Effectiveness (Steel Protective Coatings)	limited paint effectiveness with spot rust	3	1	1 Square Feet

General Comments

Span 34 Beam 2 Far Bearing

Fixed Bearing

Element Number	Element Name	Total Qty	CS1 Qty	CS2 Qty	CS3 Qty	CS4 Qty
313	Fixed Bearing	1	0	1	0	0 Each
515	Steel Protective Coating	2	1	0	1	0 Square Feet

Element Number	Defect Type	Defect Description	CS	CS Qty	Maint Qty
313	Corrosion	painted over pitting [up to 1/8in] with reactivated spot rust	2	1	Each
515	Effectiveness (Steel Protective Coatings)	limited paint effectiveness with spot rust	3	1	1 Square Feet

General Comments

Span 34 Beam 3

Prestressed Concrete Girder

Element Number	Element Name	Total Qty	CS1 Qty	CS2 Qty	CS3 Qty	CS4 Qty
109	Prestressed Concrete Open Girder/Beam	60	58	1	1	0 Feet

Element Number	Defect Type	Defect Description	CS	CS Qty	Maint Qty
109	Cracking (PSC)	underside of bottom flange at near end, delamination [5in x 4in] with associated crack [up to 0.012in]	3	1	1 Feet
109	Patched Area	12" LONG X 10" TALL NEW REPAIR TO BOTTOM RIGHT FLANGE AT BENT 34	2	1	Feet
109	Delamination/Spall	East face of bottom flange at bent 34, spall [7in x 8in x up to 2.5in deep] with [1] one exposed rusted strand [up to 1/16in section loss] (REPAIRED PRIOR TO 2022 INSPECTION)	1		Feet

General Comments

Span 34 Beam 3 Near Bearing

Fixed Bearing

Element Number	Element Name	Total Qty	CS1 Qty	CS2 Qty	CS3 Qty	CS4 Qty
313	Fixed Bearing	1	0	1	0	0 Each
515	Steel Protective Coating	2	1	0	1	0 Square Feet

Element Number	Defect Type	Defect Description	CS	CS Qty	Maint Qty
313	Corrosion	throughout bearing, spot rust	2	1	Each
515	Effectiveness (Steel Protective Coatings)	limited paint effectiveness with spot rust	3	1	1 Square Feet

General Comments

Span 34 Beam 3 Far Bearing

Fixed Bearing

Element Number	Element Name	Total Qty	CS1 Qty	CS2 Qty	CS3 Qty	CS4 Qty
313	Fixed Bearing	1	0	1	0	0 Each
515	Steel Protective Coating	2	1	0	1	0 Square Feet

Element Number	Defect Type	Defect Description	CS	CS Qty	Maint Qty
313	Corrosion	painted over pitting [up to 1/8in] with reactivated spot rust	2	1	Each
515	Effectiveness (Steel Protective Coatings)	limited paint effectiveness with spot rust	3	1	1 Square Feet

General Comments

Span 34 Beam 4

Prestressed Concrete Girder

Element Number	Element Name	Total Qty	CS1 Qty	CS2 Qty	CS3 Qty	CS4 Qty
109	Prestressed Concrete Open Girder/Beam	60	59	0	1	0 Feet

Element Number	Defect Type	Defect Description	CS	CS Qty	Maint Qty
109	Cracking (PSC)	underside of bottom flange at near end, delamination [5in x 4in] with associated crack [up to 0.012in]	3	1	1 Feet

General Comments

Span 34 Beam 4 Near Bearing

Fixed Bearing

Element Number	Element Name	Total Qty	CS1 Qty	CS2 Qty	CS3 Qty	CS4 Qty	
313	Fixed Bearing	1	0	1	0	0	Each
515	Steel Protective Coating	2	1	0	1	0	Square Feet

Element Number	Defect Type	Defect Description	CS	CS Qty	Maint Qty	
313	Corrosion	painted over pitting [up to 1/8in] with reactivated spot rust	2	1		Each
515	Effectiveness (Steel Protective Coatings)	limited paint effectiveness with spot rust	3	1	1	Square Feet

General Comments

Span 34 Beam 4 Far Bearing

Fixed Bearing

Element Number	Element Name	Total Qty	CS1 Qty	CS2 Qty	CS3 Qty	CS4 Qty	
313	Fixed Bearing	1	0	1	0	0	Each
515	Steel Protective Coating	2	1	0	1	0	Square Feet

Element Number	Defect Type	Defect Description	CS	CS Qty	Maint Qty	
313	Corrosion	painted over pitting [up to 1/8in] with reactivated spot rust	2	1		Each
515	Effectiveness (Steel Protective Coatings)	limited paint effectiveness with spot rust	3	1	1	Square Feet

General Comments

Span 35 Deck

Reinforced Concrete Deck

Element Number	Element Name	Total Qty	CS1 Qty	CS2 Qty	CS3 Qty	CS4 Qty	
12	Reinforced Concrete Deck	2,023	1,726	297	0	0	Square Feet

Element Number	Defect Type	Defect Description	CS	CS Qty	Maint Qty	
12	Cracking (RC and Other)	Throughout surface, multiple longitudinal cracks and transverse cracks [up to 1/32in x 3ft]	2	25	25	Square Feet
12	Cracking (RC and Other)	SPAN 35 BOTTOM OF DECK HAS SCATTERED HAIRLINE MAP CRACKING.	2	250	250	Square Feet
12	Patched Areas	in both lanes at bent 34 and 35, multiple sound patches [up to 8ft x 2ft]	2	22		Square Feet

General Comments

Span 35 Beam 1

Prestressed Concrete Girder

Element Number	Element Name	Total Qty	CS1 Qty	CS2 Qty	CS3 Qty	CS4 Qty	
109	Prestressed Concrete Open Girder/Beam	60	58	2	0	0	Feet

Element Number	Defect Type	Defect Description	CS	CS Qty	Maint Qty	
----------------	-------------	--------------------	----	--------	-----------	--

Structure Number: 070007Inspection Date: 03/03/2022

109	Patched Area	West face of bottom flange at near end, sound patch [11in x 6in]	2	1	Feet
109	Patched Area	West face of bottom flange at far end, sound patch [7in x 6in]	2	1	Feet

General Comments

Span 35 Beam 1 Far Bearing

Fixed Bearing

Element Number	Element Name	Total Qty	CS1 Qty	CS2 Qty	CS3 Qty	CS4 Qty
313	Fixed Bearing	1	0	1	0	0 Each
515	Steel Protective Coating	2	1	0	1	0 Square Feet

Element Number	Defect Type	Defect Description	CS	CS Qty	Maint Qty
313	Corrosion	painted over pitting [up to 1/8in] with reactivated spot rust	2	1	Each
515	Effectiveness (Steel Protective Coatings)	limited paint effectiveness with spot rust	3	1	1 Square Feet

General Comments

Span 35 Beam 2

Prestressed Concrete Girder

Element Number	Element Name	Total Qty	CS1 Qty	CS2 Qty	CS3 Qty	CS4 Qty
109	Prestressed Concrete Open Girder/Beam	60	59	0	1	0 Feet

Element Number	Defect Type	Defect Description	CS	CS Qty	Maint Qty
109	Delamination/Spall	underside of bottom flange at far end, [2] two delaminations [up to 3in x 4in] with adjacent associated crack [up to 0.012in]	3	1	1 Feet

General Comments

Span 35 Beam 2 Near Bearing

Fixed Bearing

Element Number	Element Name	Total Qty	CS1 Qty	CS2 Qty	CS3 Qty	CS4 Qty
313	Fixed Bearing	1	0	1	0	0 Each
515	Steel Protective Coating	2	1	0	1	0 Square Feet

Element Number	Defect Type	Defect Description	CS	CS Qty	Maint Qty
313	Corrosion	painted over pitting [up to 1/8in] with reactivated spot rust	2	1	Each
515	Effectiveness (Steel Protective Coatings)	limited paint effectiveness with spot rust	3	1	1 Square Feet

General Comments

Span 35 Beam 2 Far Bearing

Fixed Bearing

Element Number	Element Name	Total Qty	CS1 Qty	CS2 Qty	CS3 Qty	CS4 Qty	
313	Fixed Bearing	1	0	1	0	0	Each
515	Steel Protective Coating	2	2	0	0	0	Square Feet

Element Number	Defect Type	Defect Description	CS	CS Qty	Maint Qty	
313	Corrosion	painted over pitting [up to 1/8in]	2	1		Each

General Comments

Span 35 Beam 3

Prestressed Concrete Girder

Element Number	Element Name	Total Qty	CS1 Qty	CS2 Qty	CS3 Qty	CS4 Qty	
109	Prestressed Concrete Open Girder/Beam	60	58	1	1	0	Feet

Element Number	Defect Type	Defect Description	CS	CS Qty	Maint Qty	
109	Delamination/Spall	SPAN 35 BEAM 3 LEFT BOTTOM FLANGE OVER BENT 34. spall [6in x 5in x 2in deep]	3	1	1	Feet
109	Delamination/Spall	east face at far end, spall [2in x 6in x up to 3/4in]	2		1	Feet
109	Patched Area	12" LONG X 8" TALL NEW REPAIR TO BOTTOM LEFT FLANGE AT BENT 35	2			Feet
109	Patched Area	8" LONG X 12" TALL NEW REPAIR TO BOTTOM RIGHT FLANGE AT BENT 35	2	1		Feet
109	Delamination/Spall	both faces of bottom flange at bent 35, [2] two spalls [up to 8in x 10in x up to 4in deep] with [5] five exposed rusted strands [up to 1/16in section loss] (REPAIRED PRIOR TO 2022 INSPECTION)	1			Feet

General Comments

Span 35 Beam 3 Near Bearing

Fixed Bearing

Element Number	Element Name	Total Qty	CS1 Qty	CS2 Qty	CS3 Qty	CS4 Qty	
313	Fixed Bearing	1	0	0	1	0	Each
515	Steel Protective Coating	2	1	0	1	0	Square Feet

Element Number	Defect Type	Defect Description	CS	CS Qty	Maint Qty	
313	Corrosion	painted over pitting [up to 1/8in], painted over pack rust [up to 1/8in] with reactivated spot rust	3	1	1	Each
515	Effectiveness (Steel Protective Coatings)	limited paint effectiveness with spot rust	3	1	1	Square Feet

General Comments

Span 35 Beam 3 Far Bearing

Fixed Bearing

Element Number	Element Name	Total Qty	CS1 Qty	CS2 Qty	CS3 Qty	CS4 Qty	
313	Fixed Bearing	1	0	1	0	0	Each
515	Steel Protective Coating	2	2	0	0	0	Square Feet

Element Number	Defect Type	Defect Description	CS	CS Qty	Maint Qty	
313	Corrosion	painted over pitting [up to 1/4in]	2	1		Each

General Comments

Span 35 Beam 4 Near Bearing

Fixed Bearing

Element Number	Element Name	Total Qty	CS1 Qty	CS2 Qty	CS3 Qty	CS4 Qty	
313	Fixed Bearing	1	0	1	0	0	Each
515	Steel Protective Coating	2	1	0	1	0	Square Feet

Element Number	Defect Type	Defect Description	CS	CS Qty	Maint Qty	
313	Corrosion	painted over pitting [up to 1/4in], painted over pack rust [up to 1/8in] with reactivated spot rust	2	1		Each
515	Effectiveness (Steel Protective Coatings)	limited paint effectiveness with spot rust	3	1	1	Square Feet

General Comments

Span 35 Beam 4 Far Bearing

Fixed Bearing

Element Number	Element Name	Total Qty	CS1 Qty	CS2 Qty	CS3 Qty	CS4 Qty	
313	Fixed Bearing	1	0	1	0	0	Each
515	Steel Protective Coating	2	2	0	0	0	Square Feet

Element Number	Defect Type	Defect Description	CS	CS Qty	Maint Qty	
313	Corrosion	painted over pitting [up to 1/8in]	2	1		Each

General Comments

Span 36 Deck

Reinforced Concrete Deck

Element Number	Element Name	Total Qty	CS1 Qty	CS2 Qty	CS3 Qty	CS4 Qty	
12	Reinforced Concrete Deck	2,023	1,647	376	0	0	Square Feet

Element Number	Defect Type	Defect Description	CS	CS Qty	Maint Qty	
12	Cracking (RC and Other)	throughout surface, multiple longitudinal cracks and transverse cracks [up to 1/32in x 2ft]	2	16	16	Square Feet
12	Patched Areas	in both lanes at bent 35 and bent 36, multiple sound patches [up to 12ft x 1ft]	2	60		Square Feet
12	Cracking (RC and Other)	SPAN 36 BOTTOM OF DECK HAS SCATTERED HAIRLINE MAP CRACKING.	2	300	300	Square Feet

General Comments

Span 36 Left Bridge Rail

Concrete and Metal Railing

Element Number	Element Name	Total Qty	CS1 Qty	CS2 Qty	CS3 Qty	CS4 Qty	
333	Other Bridge Railing	60	59	0	1	0	Feet
515	Steel Protective Coating	120	120	0	0	0	Square Feet

Element Number	Defect Type	Defect Description	CS	CS Qty	Maint Qty	
333	Delamination/Spall	12" LONG X 6" WIDE X 1" TALL SPALL ON LEFT CURB AT 5' FROM BENT 35	3	1	1	Feet

General Comments

Span 36 Beam 1 Near Bearing

Fixed Bearing

Element Number	Element Name	Total Qty	CS1 Qty	CS2 Qty	CS3 Qty	CS4 Qty	
313	Fixed Bearing	1	0	1	0	0	Each
515	Steel Protective Coating	2	2	0	0	0	Square Feet

Element Number	Defect Type	Defect Description	CS	CS Qty	Maint Qty	
313	Corrosion	painted over pitting [up to 1/4in]	2	1		Each

General Comments

Span 36 Beam 1 Far Bearing

Fixed Bearing

Element Number	Element Name	Total Qty	CS1 Qty	CS2 Qty	CS3 Qty	CS4 Qty	
313	Fixed Bearing	1	0	1	0	0	Each
515	Steel Protective Coating	2	1	0	1	0	Square Feet

Element Number	Defect Type	Defect Description	CS	CS Qty	Maint Qty	
313	Corrosion	painted over pitting [up to 1/4in], painted over pack rust [up to 1/8in] with reactivated spot rust	2	1		Each
515	Effectiveness (Steel Protective Coatings)	limited paint effectiveness with spot rust	3	1	1	Square Feet

General Comments

Span 36 Beam 2 Near Bearing

Fixed Bearing

Element Number	Element Name	Total Qty	CS1 Qty	CS2 Qty	CS3 Qty	CS4 Qty	
313	Fixed Bearing	1	0	1	0	0	Each
515	Steel Protective Coating	2	2	0	0	0	Square Feet

Element Number	Defect Type	Defect Description	CS	CS Qty	Maint Qty	
313	Corrosion	painted over pitting [up to 1/4in]	2	1		Each

General Comments

Span 36 Beam 2 Far Bearing

Fixed Bearing

Element Number	Element Name	Total Qty	CS1 Qty	CS2 Qty	CS3 Qty	CS4 Qty	
313	Fixed Bearing	1	0	1	0	0	Each
515	Steel Protective Coating	2	1	0	1	0	Square Feet

Element Number	Defect Type	Defect Description	CS	CS Qty	Maint Qty	
313	Corrosion	painted over pitting [up to 1/8in], painted over pack rust [up to 1/8in] with reactivated spot rust	2	1		Each
515	Effectiveness (Steel Protective Coatings)	limited paint effectiveness with spot rust	3	1	1	Square Feet

General Comments

Span 36 Beam 3 Near Bearing

Fixed Bearing

Element Number	Element Name	Total Qty	CS1 Qty	CS2 Qty	CS3 Qty	CS4 Qty	
313	Fixed Bearing	1	0	1	0	0	Each
515	Steel Protective Coating	2	2	0	0	0	Square Feet

Element Number	Defect Type	Defect Description	CS	CS Qty	Maint Qty	
313	Corrosion	painted over pitting [up to 1/8in]	2	1		Each

General Comments

Span 36 Beam 3 Far Bearing

Fixed Bearing

Element Number	Element Name	Total Qty	CS1 Qty	CS2 Qty	CS3 Qty	CS4 Qty	
313	Fixed Bearing	1	0	1	0	0	Each
515	Steel Protective Coating	2	1	0	1	0	Square Feet

Element Number	Defect Type	Defect Description	CS	CS Qty	Maint Qty	
313	Corrosion	throughout bearing, spot rust	2	1		Each
515	Effectiveness (Steel Protective Coatings)	limited paint effectiveness with spot rust	3	1	1	Square Feet

General Comments

Span 36 Beam 4

Prestressed Concrete Girder

Element Number	Element Name	Total Qty	CS1 Qty	CS2 Qty	CS3 Qty	CS4 Qty	
109	Prestressed Concrete Open Girder/Beam	60	59	0	1	0	Feet

Element Number	Defect Type	Defect Description	CS	CS Qty	Maint Qty	
109	Delamination/Spall	SPAN 36 END OF BEAM 4 WEB OVER BENT 36. HAS A SPALLED AREA. AREA IS: 5" x 12" x 1" DEEP.	3	1	1	Feet

General Comments

Span 36 Beam 4 Near Bearing

Fixed Bearing

Element Number	Element Name	Total Qty	CS1 Qty	CS2 Qty	CS3 Qty	CS4 Qty	
313	Fixed Bearing	1	0	1	0	0	Each
515	Steel Protective Coating	2	2	0	0	0	Square Feet

Element Number	Defect Type	Defect Description	CS	CS Qty	Maint Qty	
313	Corrosion	painted over pitting [up to 1/8in]	2	1		Each

General Comments

Span 36 Beam 4 Far Bearing

Fixed Bearing

Element Number	Element Name	Total Qty	CS1 Qty	CS2 Qty	CS3 Qty	CS4 Qty	
313	Fixed Bearing	1	0	1	0	0	Each
515	Steel Protective Coating	2	1	0	1	0	Square Feet

Element Number	Defect Type	Defect Description	CS	CS Qty	Maint Qty	
313	Corrosion	throughout bearing, spot rust	2	1		Each
515	Effectiveness (Steel Protective Coatings)	limited paint effectiveness with spot rust	3	1	1	Square Feet

General Comments

Span 37 Deck

Reinforced Concrete Deck

Element Number	Element Name	Total Qty	CS1 Qty	CS2 Qty	CS3 Qty	CS4 Qty	
12	Reinforced Concrete Deck	2,023	1,570	453	0	0	Square Feet

Element Number	Defect Type	Defect Description	CS	CS Qty	Maint Qty	
12	Delamination/Spall	in right curb at bent 36, delamination [8in x 10in] with associated crack [up to 1/32in]	2	1	1	Square Feet
12	Patched Areas	in both lanes at bent 36 and bent 37, multiple sound patches [up to 12ft x 1ft]	2	40		Square Feet
12	Cracking (RC and Other)	throughout surface, multiple longitudinal cracks and transverse cracks [up to 1/32in x 2ft]	2	12	12	Square Feet
12	Cracking (RC and Other)	SPAN 37 BOTTOM OF DECK HAS SCATTERED MAP AND LONGITUDINAL CRACKS WITH SOME EFFLO VISIBLE.	2	400	400	Square Feet
12	Cracking (RC and Other)	along right shoulder, hairline map cracking	1	15		Square Feet

General Comments

Span 37 Beam 1

Prestressed Concrete Girder

Element Number	Element Name	Total Qty	CS1 Qty	CS2 Qty	CS3 Qty	CS4 Qty	
109	Prestressed Concrete Open Girder/Beam	60	58	2	0	0	Feet

Element Number	Defect Type	Defect Description	CS	CS Qty	Maint Qty	
109	Patched Area	SPAN 37 BEAM 1 RIGHT BOTTOM FLANGE OVER BENT 36. HAS A SPALLED AREA WITH 2 CABLES EXPOSED. sound patch [7in x 12in]	2	1		Feet

109	Delamination/Spall	bottom of bottom flange at bent 36, delamination [8in x 4in]	2	1	1	Feet
-----	--------------------	--	---	---	---	------

General Comments

Span 37 Beam 1 Near Bearing

Fixed Bearing

Element Number	Element Name	Total Qty	CS1 Qty	CS2 Qty	CS3 Qty	CS4 Qty
313	Fixed Bearing	1	0	0	1	0 Each
515	Steel Protective Coating	2	1	0	0	1 Square Feet

Element Number	Defect Type	Defect Description	CS	CS Qty	Maint Qty
313	Corrosion	throughout bearing, active corrosion with pack rust [1/2in]	3	1	1 Each
515	Effectiveness (Steel Protective Coatings)	paint failure with active corrosion	4	1	1 Square Feet

General Comments

Span 37 Beam 2

Prestressed Concrete Girder

Element Number	Element Name	Total Qty	CS1 Qty	CS2 Qty	CS3 Qty	CS4 Qty
109	Prestressed Concrete Open Girder/Beam	60	59	1	0	0 Feet

Element Number	Defect Type	Defect Description	CS	CS Qty	Maint Qty
109	Patched Area	SPAN 37 BEAM 2 LEFT BOTTOM FLANGE OVER BENT 36. sound patch [6in x 8in]	2	1	Feet

General Comments

Span 37 Beam 2 Near Bearing

Fixed Bearing

Element Number	Element Name	Total Qty	CS1 Qty	CS2 Qty	CS3 Qty	CS4 Qty
313	Fixed Bearing	1	0	0	1	0 Each
515	Steel Protective Coating	2	1	0	0	1 Square Feet

Element Number	Defect Type	Defect Description	CS	CS Qty	Maint Qty
313	Corrosion	throughout bearing, active corrosion with pack rust [1/2in]	3	1	1 Each
515	Effectiveness (Steel Protective Coatings)	paint failure with active corrosion	4	1	1 Square Feet

General Comments

Span 37 Beam 4

Prestressed Concrete Girder

Element Number	Element Name	Total Qty	CS1 Qty	CS2 Qty	CS3 Qty	CS4 Qty
109	Prestressed Concrete Open Girder/Beam	60	59	0	1	0 Feet

Element Number	Defect Type	Defect Description	CS	CS Qty	Maint Qty
109	Delamination/Spall	SPAN 37 BEAM 4 RIGHT SIDE OVER BENT 36. HAS 2 SPALLED AREAS. AREAS ARE: 4" x 4" x 1" DEEP AND 4" x 7" x 1" DEEP.	3	1	1 Feet

General Comments

Span 38 Deck
Reinforced Concrete Deck

Element Number	Element Name	Total Qty	CS1 Qty	CS2 Qty	CS3 Qty	CS4 Qty	
12	Reinforced Concrete Deck	2,023	1,399	622	2	0	Square Feet

Element Number	Defect Type	Defect Description	CS	CS Qty	Maint Qty	
12	Delamination/Spall	underside of bay 1 and 2 in near half, [2] two spalls [12in diameter x 2in deep] with exposed rusted reinforcing [up to 10% section loss]	3	2	2	Square Feet
12	Patched Areas	in both lanes at bent 37 and bent 38, multiple sound patches [up to 8ft x 1ft]	2	22		Square Feet
12	Cracking (RC and Other)	SPAN 38 BOTTOM OF DECK HAS SCATTERED MAP AND LONGITUDINAL CRACKS WITH SOME SCALING AND EFFLO.	2	600	600	Square Feet

General Comments

Span 38 Beam 1
Prestressed Concrete Girder

Element Number	Element Name	Total Qty	CS1 Qty	CS2 Qty	CS3 Qty	CS4 Qty	
109	Prestressed Concrete Open Girder/Beam	60	58	2	0	0	Feet

Element Number	Defect Type	Defect Description	CS	CS Qty	Maint Qty	
109	Patched Area	SPAN 38 BOTTOM OF BEAM 1 AT BENT 37. sound patch [6in x 7in]	2	1		Feet
109	Delamination/Spall	underside of bottom flange at bent 36, delamination [8in x 4in]	2	1	1	Feet

General Comments

Span 38 Beam 1 Near Bearing
Fixed Bearing

Element Number	Element Name	Total Qty	CS1 Qty	CS2 Qty	CS3 Qty	CS4 Qty	
313	Fixed Bearing	1	0	0	1	0	Each
515	Steel Protective Coating	2	1	0	0	1	Square Feet

Element Number	Defect Type	Defect Description	CS	CS Qty	Maint Qty	
313	Corrosion	throughout bearing, active corrosion with pack rust [up to 1/2in]	3	1	1	Each
515	Effectiveness (Steel Protective Coatings)	throughout bearing, paint failure with active corrosion	4	1	1	Square Feet

General Comments

Span 38 Beam 2
Prestressed Concrete Girder

Element Number	Element Name	Total Qty	CS1 Qty	CS2 Qty	CS3 Qty	CS4 Qty	
109	Prestressed Concrete Open Girder/Beam	60	59	1	0	0	Feet

Element Number	Defect Type	Defect Description	CS	CS Qty	Maint Qty	
----------------	-------------	--------------------	----	--------	-----------	--

109 Patched Area SPAN 38 BEAM 2 RIGHT SIDE of web OVER BENT 37. 2 1 Feet
sound patch [4in x 7in]

General Comments

Span 38 Beam 2 Near Bearing

Fixed Bearing

Element Number	Element Name	Total Qty	CS1 Qty	CS2 Qty	CS3 Qty	CS4 Qty	
313	Fixed Bearing	1	0	0	1	0	Each
515	Steel Protective Coating	2	1	0	0	1	Square Feet

Element Number	Defect Type	Defect Description	CS	CS Qty	Maint Qty	
313	Corrosion	throughout bearing, active corrosion with pack rust [up to 1/2in]	3	1	1	Each
515	Effectiveness (Steel Protective Coatings)	throughout bearing, paint failure with active corrosion	4	1	1	Square Feet

General Comments

Span 38 Beam 4

Prestressed Concrete Girder

Element Number	Element Name	Total Qty	CS1 Qty	CS2 Qty	CS3 Qty	CS4 Qty	
109	Prestressed Concrete Open Girder/Beam	60	58	1	1	0	Feet

Element Number	Defect Type	Defect Description	CS	CS Qty	Maint Qty	
109	Exposed Rebar	PAR: 12" LONG X 8" TALL X 3" DEEP SPALL WITH EXPOSED STRANDS WITH SOME SECTION LOSS ON BOTTOM RIGHT FLANGE AT BENT 37	3	1	1	Feet
109	Patched Area	6" LONG X 6" TALL NEW REPAIR TO BOTTOM RIGHT FLANGE AT BENT 38	2	1		Feet
109	Delamination/Spall	East face of bottom flange at bent 38, spall [9in x 4in x 2in deep] with [1] one exposed rusted strand [up to 10% section loss] (REPAIRED PRIOR TO 2022 INSPECTION)	1			Feet

General Comments

Span 39 Deck

Reinforced Concrete Deck

Element Number	Element Name	Total Qty	CS1 Qty	CS2 Qty	CS3 Qty	CS4 Qty	
12	Reinforced Concrete Deck	2,023	1,237	768	18	0	Square Feet

Element Number	Defect Type	Defect Description	CS	CS Qty	Maint Qty	
12	Delamination/Spall	SPAN 39 BOTTOM OF DECK BAY 2 NEAR MID-SPAN. HAS A SPALLED AREA WITH REBAR VISIBLE. AREA IS: 12" x 16" x 2 1/2" DEEP.	3	2	2	Square Feet
12	Cracking (RC and Other)	deck surface along centerline, multiple longitudinal cracks [up to 1/16in x 10ft]	3	16	16	Square Feet
12	Cracking (RC and Other)	throughout underside, multiple cracks [up to 0.04in] with efflorescence	2	24	24	Square Feet
12	Delamination/Spall	throughout underside, multiple delaminations [up to 10in diameter]	2	14	14	Square Feet
12	Patched Areas	in both lanes at bent 38 and bent 39, multiple sound patches [up to 5ft x 3ft]	2	30		Square Feet
12	Cracking (RC and Other)	SPAN 39 BOTTOM OF DECK HAS SCATTERED MAP, TRANSVERSE AND LONGITUDINAL CRACKS.	2	700	700	Square Feet

General Comments

Span 39 Expansion Joint over Bent 38**Standard Joint**

Element Number	Element Name	Total Qty	CS1 Qty	CS2 Qty	CS3 Qty	CS4 Qty
301	Pourable Joint Seal	34	28	0	0	6 Feet

Element Number	Defect Type	Defect Description	CS	CS Qty	Maint Qty
301	Seal Adhesion	in left lane, loss of seal adhesion [up to 3ft x full depth]	4	6	6 Feet

General Comments

Span 39 Beam 1**Prestressed Concrete Girder**

Element Number	Element Name	Total Qty	CS1 Qty	CS2 Qty	CS3 Qty	CS4 Qty
109	Prestressed Concrete Open Girder/Beam	60	59	1	0	0 Feet

Element Number	Defect Type	Defect Description	CS	CS Qty	Maint Qty
109	Patched Area	SPAN 39 BEAM 1 RIGHT BOTTOM FLANGE OVER BENT 38. sound patch [4in x 7in]	2	1	Feet

General Comments

Span 39 Beam 2**Prestressed Concrete Girder**

Element Number	Element Name	Total Qty	CS1 Qty	CS2 Qty	CS3 Qty	CS4 Qty
109	Prestressed Concrete Open Girder/Beam	60	59	1	0	0 Feet

Element Number	Defect Type	Defect Description	CS	CS Qty	Maint Qty
109	Patched Area	SPAN 39 BEAM 2 LEFT BOTTOM FLANGE OVER BENT 38, sound patch [8in x 9in]	2	1	Feet

General Comments

Span 39 Beam 2 Near Bearing**Fixed Bearing**

Element Number	Element Name	Total Qty	CS1 Qty	CS2 Qty	CS3 Qty	CS4 Qty
313	Fixed Bearing	1	0	0	1	0 Each
515	Steel Protective Coating	2	0	0	0	2 Square Feet

Element Number	Defect Type	Defect Description	CS	CS Qty	Maint Qty
313	Corrosion	throughout bearing, active corrosion with section loss [up to 1/4in]	3	1	1 Each
515	Effectiveness (Steel Protective Coatings)	throughout bearing, paint failure with active corrosion	4	2	2 Square Feet

General Comments

Span 39 Beam 3

Prestressed Concrete Girder

Element Number	Element Name	Total Qty	CS1 Qty	CS2 Qty	CS3 Qty	CS4 Qty
109	Prestressed Concrete Open Girder/Beam	60	59	0	1	0 Feet

Element Number	Defect Type	Defect Description	CS	CS Qty	Maint Qty
109	Delamination/Spall	at bent 38, spall/delamination [8in x 4in x 1in deep]	3	1	1 Feet

General Comments

Span 39 Beam 4 Near Bearing

Fixed Bearing

Element Number	Element Name	Total Qty	CS1 Qty	CS2 Qty	CS3 Qty	CS4 Qty
313	Fixed Bearing	1	0	0	1	0 Each
515	Steel Protective Coating	2	0	0	0	2 Square Feet

Element Number	Defect Type	Defect Description	CS	CS Qty	Maint Qty
313	Corrosion	throughout bearing, active corrosion with section loss [up to 1/4in]	3	1	1 Each
515	Effectiveness (Steel Protective Coatings)	throughout bearing, paint failure with active corrosion	4	2	2 Square Feet

General Comments

Span 40 Deck

Reinforced Concrete Deck

Element Number	Element Name	Total Qty	CS1 Qty	CS2 Qty	CS3 Qty	CS4 Qty
12	Reinforced Concrete Deck	2,023	1,496	527	0	0 Square Feet

Element Number	Defect Type	Defect Description	CS	CS Qty	Maint Qty
12	Cracking (RC and Other)	SPAN 40 BOTTOM OF DECK HAS SCATTERED MAP, TRANSVERSE AND LONGITUDINAL CRACKS WITH SOME SCALING AND EFFLO.	2	500	500 Square Feet
12	Patched Areas	in both lanes at bent 39, multiple sound patches [up to 4ft x 2ft]	2	12	Square Feet
12	Cracking (RC and Other)	throughout surface, multiple longitudinal cracks [up to 1/32in x 6ft]	2	15	15 Square Feet
12	Cracking (RC and Other)	underside of deck in bay 1, [3] three hairline longitudinal cracks [up to full length]	1	56	Square Feet

General Comments

Span 40 Beam 2

Prestressed Concrete Girder

Element Number	Element Name	Total Qty	CS1 Qty	CS2 Qty	CS3 Qty	CS4 Qty
109	Prestressed Concrete Open Girder/Beam	60	59	1	0	0 Feet

Element Number	Defect Type	Defect Description	CS	CS Qty	Maint Qty
109	Patched Area	SPAN 40 BEAM 2 LEFT BOTTOM FLANGE OVER BENT 39. sound patch [5in x 13in]	2	1	Feet

General Comments

Span 41 Deck

Reinforced Concrete Deck

Element Number	Element Name	Total Qty	CS1 Qty	CS2 Qty	CS3 Qty	CS4 Qty
12	Reinforced Concrete Deck	2,023	484	1,537	2	0 Square Feet

Element Number	Defect Type	Defect Description	CS	CS Qty	Maint Qty
12	Cracking (RC and Other)	right curb at bent 41, vertical crack [1ft x 1/16in]	3	1	1 Square Feet
12	Delamination/Spall	12" DIAMETER X 1" DEEP SPALL WITH EXPOSED REBAR IN UNDERSIDE OF BAY 1 AT BENT 40	3	1	1 Square Feet
12	Patched Areas	in both lanes at bent 40 and bent 41, multiple sound patches [up to 8ft x 1.5ft]	2	24	Square Feet
12	Delamination/Spall	underside of deck at midspan, spall [1in diameter]	2	1	1 Square Feet
12	Cracking (RC and Other)	throughout surface, multiple longitudinal cracks and transverse cracks [up to 1/32in x 5ft]	2	12	12 Square Feet
12	Cracking (RC and Other)	SPAN 41 BOTTOM OF DECK HAS SCATTERED MAP/TRANSVERSE AND LONGITUDINAL CRACKS WITH SOME EFFLO VISIBLE.	2	1,400	1,400 Square Feet
12	Delamination/Spall	SPAN 41 BOTTOM OF LEFT AND RIGHT OVERHANGS. HAVE SCATTERED AREAS OF SCALING WITH SOME DELAMINATION.	2	100	100 Square Feet

General Comments

Span 41 Beam 1

Prestressed Concrete Girder

Element Number	Element Name	Total Qty	CS1 Qty	CS2 Qty	CS3 Qty	CS4 Qty
109	Prestressed Concrete Open Girder/Beam	60	59	1	0	0 Feet

Element Number	Defect Type	Defect Description	CS	CS Qty	Maint Qty
109	Delamination/Spall	SPAN 41 BOTTOM OF BEAM 1 OVER BENT 41. HAS A SPALLED AREA. AREA IS: 3" x 6" x 1/2" DEEP.	2	1	1 Feet

General Comments

Span 41 Beam 3

Prestressed Concrete Girder

Element Number	Element Name	Total Qty	CS1 Qty	CS2 Qty	CS3 Qty	CS4 Qty
109	Prestressed Concrete Open Girder/Beam	60	58	2	0	0 Feet

Element Number	Defect Type	Defect Description	CS	CS Qty	Maint Qty
109	Patched Area	SPAN 41 BOTTOM OF BEAM 3 AT BENT 41. sound patch [12in x 22in]	2	2	Feet

General Comments

Span 41 Beam 4

Prestressed Concrete Girder

Element Number	Element Name	Total Qty	CS1 Qty	CS2 Qty	CS3 Qty	CS4 Qty
109	Prestressed Concrete Open Girder/Beam	60	57	3	0	0 Feet

Element Number	Defect Type	Defect Description	CS	CS Qty	Maint Qty
----------------	-------------	--------------------	----	--------	-----------

Structure Number: 070007

Inspection Date: 03/03/2022

109	Patched Area	SPAN 41 BEAM 4 LEFT BOTTOM FLANGE OVER BENT 41. sound patch [6in x 7in]	2	1	Feet
109	Patched Area	SPAN 41 BEAM 4 LEFT BOTTOM FLANGE OVER BENT 40. sound patch [7in x 8in]	2	1	Feet
109	Patched Area	SPAN 41 BOTTOM OF BEAM 4 AT BENT 41. sound patch [11in x 13in]	2	1	Feet

General Comments

Span 42 Deck

Reinforced Concrete Deck

Element Number	Element Name	Total Qty	CS1 Qty	CS2 Qty	CS3 Qty	CS4 Qty
12	Reinforced Concrete Deck	2,022	1,563	453	6	0 Square Feet

Element Number	Defect Type	Defect Description	CS	CS Qty	Maint Qty
12	Cracking (RC and Other)	right curb at bent 42, vertical crack [1/16in x 1ft]	3	1	1 Square Feet
12	Exposed Rebar	PAR: 30" DIAMETER X 2" DEEP SPALL WITH EXPOSED REBAR WITH SECTION LOSS IN BAY 1 AT 12' FROM BENT 41	3	5	5 Square Feet
12	Cracking (RC and Other)	SPAN 42 BOTTOM OF THE DECK HAS SCATTERED MAP CRACKING.	2	400	400 Square Feet
12	Delamination/Spall	AREA OF POORLY CONSOLIDATED CONCRETE IN RIGHT OVERHANG	2	50	50 Square Feet
12	Patched Areas	in both lanes at bent 41 and bent 42, multiple sound patches [up to 1ft x 1ft]	2	3	Square Feet

General Comments

Span 42 Beam 1

Prestressed Concrete Girder

Element Number	Element Name	Total Qty	CS1 Qty	CS2 Qty	CS3 Qty	CS4 Qty
109	Prestressed Concrete Open Girder/Beam	60	59	1	0	0 Feet

Element Number	Defect Type	Defect Description	CS	CS Qty	Maint Qty
109	Delamination/Spall	SPAN 42 END OF BEAM 1 OVER BENT 42. HAS A CRACK/SPALL AND DELAMINATED AREA. AREA IS: 5" x 5" x 1/2" DEEP.	2	1	1 Feet

General Comments

Span 42 Beam 2

Prestressed Concrete Girder

Element Number	Element Name	Total Qty	CS1 Qty	CS2 Qty	CS3 Qty	CS4 Qty
109	Prestressed Concrete Open Girder/Beam	60	59	1	0	0 Feet

Element Number	Defect Type	Defect Description	CS	CS Qty	Maint Qty
109	Delamination/Spall	SPAN 42 BEAM 2 RIGHT SIDE OVER BENT 41. HAS A SPALLED AREA. AREA IS: 5" x 5" x 1" DEEP.	2	1	1 Feet

General Comments

Span 42 Beam 4

Prestressed Concrete Girder

Element Number	Element Name	Total Qty	CS1 Qty	CS2 Qty	CS3 Qty	CS4 Qty
109	Prestressed Concrete Open Girder/Beam	60	59	1	0	0 Feet

Element Number	Defect Type	Defect Description	CS	CS Qty	Maint Qty
109	Patched Area	SPAN 42 BEAM 4 LEFT BOTTOM FLANGE OVER BENT 41. sound patch [5in x 10in]	2	1	Feet

General Comments

Span 43 Deck

Reinforced Concrete Deck

Element Number	Element Name	Total Qty	CS1 Qty	CS2 Qty	CS3 Qty	CS4 Qty
12	Reinforced Concrete Deck	2,022	1,687	334	1	0 Square Feet

Element Number	Defect Type	Defect Description	CS	CS Qty	Maint Qty
12	Cracking (RC and Other)	right curb at bent 43, vertical crack [1/16in x 1ft]	3	1	1 Square Feet
12	Cracking (RC and Other)	SPAN 43 BOTTOM OF DECK HAS SCATTERED MAP CRACKING.	2	300	300 Square Feet
12	Patched Areas	in both lanes at bent 42 and bent 43, multiple sound patches [up to 10ft x 2ft]	2	34	Square Feet
12	Cracking (RC and Other)	surface along both shoulders, hairline map cracking	1	120	Square Feet

General Comments

Span 43 Beam 1

Prestressed Concrete Girder

Element Number	Element Name	Total Qty	CS1 Qty	CS2 Qty	CS3 Qty	CS4 Qty
109	Prestressed Concrete Open Girder/Beam	60	59	1	0	0 Feet

Element Number	Defect Type	Defect Description	CS	CS Qty	Maint Qty
109	Patched Area	SPAN 43 END OF BEAM 1 OVER BENT 42. sound patch [3in x 4in]	2	1	Feet

General Comments

Span 43 Beam 2

Prestressed Concrete Girder

Element Number	Element Name	Total Qty	CS1 Qty	CS2 Qty	CS3 Qty	CS4 Qty
109	Prestressed Concrete Open Girder/Beam	60	57	1	2	0 Feet

Element Number	Defect Type	Defect Description	CS	CS Qty	Maint Qty
109	Delamination/Spall	SPAN 43 BOTTOM OF BEAM 2 AT BENT 42. HAS A SPALLED AREA. AREA IS: 13" x 14" x 1 1/2" DEEP.	3	2	2 Feet
109	Patched Area	10" LONG X 18" TALL NEW REPAIR TO BOTTOM LEFT FLANGE AT BENT 43	2	1	Feet
109	Delamination/Spall	SPAN 43 END OF BEAM 2 AND LEFT BOTTOM FLANGE OVER BENT 43. HAS A CRACK/SPALL AND DELAMINATED AREA [20in x 6in x 3in] WITH 2 CABLES VISIBLE [no section loss] (REPAIRED PRIOR TO 2022 INSPECTION)	1		Feet

General Comments

Span 43 Beam 3

Prestressed Concrete Girder

Element Number	Element Name	Total Qty	CS1 Qty	CS2 Qty	CS3 Qty	CS4 Qty
109	Prestressed Concrete Open Girder/Beam	60	59	0	1	0 Feet

Element Number	Defect Type	Defect Description	CS	CS Qty	Maint Qty
109	Delamination/Spall	SPAN 43 BOTTOM OF BEAM 3 AT BENT 42. HAS A CRACK/SPALL AND DELAMINATED AREA WITH 1 REBAR EXPOSED. AREA IS: 5" x 7" x 3/4" DEEP.	3	1	1 Feet

General Comments

Span 43 Beam 4

Prestressed Concrete Girder

Element Number	Element Name	Total Qty	CS1 Qty	CS2 Qty	CS3 Qty	CS4 Qty
109	Prestressed Concrete Open Girder/Beam	60	58	1	1	0 Feet

Element Number	Defect Type	Defect Description	CS	CS Qty	Maint Qty
109	Delamination/Spall	SPAN 43 BEAM 4 LEFT SIDE OVER BENT 42. HAS A SPALLED AREA. AREA IS: 4" x 11" x 1/2" DEEP.	3	1	1 Feet
109	Patched Area	12" LONG X 10" TALL NEW REPAIR TO BOTTOM RIGHT FLANGE AT BENT 43	2	1	Feet
109	Delamination/Spall	East face of bottom flange at bent 43, spall [12in x 8in x 2in deep] with [2] two exposed rusted strands [up to 5% section loss] (REPAIRED PRIOR TO 2022 INSPECTION)	1		Feet

General Comments

Span 44 Deck

Reinforced Concrete Deck

Element Number	Element Name	Total Qty	CS1 Qty	CS2 Qty	CS3 Qty	CS4 Qty
12	Reinforced Concrete Deck	2,022	1,617	404	1	0 Square Feet

Element Number	Defect Type	Defect Description	CS	CS Qty	Maint Qty
12	Cracking (RC and Other)	right curb at bent 43, vertical crack [1ft x 1/16in]	3	1	1 Square Feet
12	Cracking (RC and Other)	SPAN 44 BOTTOM OF DECK HAS SCATTERED MAP CRACKING.	2	400	400 Square Feet
12	Patched Areas	SPAN 44 TOP OF DECK HAS A NEW PATCHED AREA IN RIGHT LANE NEXT TO BENT 44 JOINT.	2	4	Square Feet
12	Cracking (RC and Other)	surface along both shoulders, hairline map cracking	1	100	Square Feet

General Comments

Span 44 Expansion Joint over Bent 43

Standard Joint

Element Number	Element Name	Total Qty	CS1 Qty	CS2 Qty	CS3 Qty	CS4 Qty
301	Pourable Joint Seal	34	27	0	0	7 Feet

Element Number	Defect Type	Defect Description	CS	CS Qty	Maint Qty
301	Seal Adhesion	along joint, loss of seal adhesion [up to 1ft x full depth]	4	7	7 Feet

General Comments

Span 44 Beam 1

Prestressed Concrete Girder

Element Number	Element Name	Total Qty	CS1 Qty	CS2 Qty	CS3 Qty	CS4 Qty
109	Prestressed Concrete Open Girder/Beam	60	59	0	1	0 Feet

Element Number	Defect Type	Defect Description	CS	CS Qty	Maint Qty
109	Delamination/Spall	SPAN 44 END OF BEAM 1 OVER BENT 43. HAS A SPALLED AREA WITH 2 CABLES VISIBLE [no section loss]. AREA IS: 8" x 8" x 1" DEEP.	3	1	1 Feet

General Comments

Span 44 Beam 3

Prestressed Concrete Girder

Element Number	Element Name	Total Qty	CS1 Qty	CS2 Qty	CS3 Qty	CS4 Qty
109	Prestressed Concrete Open Girder/Beam	60	58	1	1	0 Feet

Element Number	Defect Type	Defect Description	CS	CS Qty	Maint Qty
109	Delamination/Spall	SPAN 44 END OF BEAM 3 OVER BENT 44. HAS A SPALLED AREA. AREA IS: 6" x 7" x 1" DEEP.	3	1	1 Feet
109	Patched Area	6" LONG X 4" TALL NEW REPAIR TO BOTTOM RIGHT FLANGE AT BENT 43	2	1	Feet
109	Cracking (PSC)	SPAN 44 BEAM 3 RIGHT BOTTOM FLANGE OVER BENT 43. HAS A CRACKED AND DELAMINATED AREA. AREA IS: 3" x 8" (REPAIRED PRIOR TO 2022 INSPECTION)	1		Feet

General Comments

Span 44 Beam 4

Prestressed Concrete Girder

Element Number	Element Name	Total Qty	CS1 Qty	CS2 Qty	CS3 Qty	CS4 Qty
109	Prestressed Concrete Open Girder/Beam	60	59	0	1	0 Feet

Element Number	Defect Type	Defect Description	CS	CS Qty	Maint Qty
109	Delamination/Spall	SPAN 44 BEAM 4 RIGHT BOTTOM FLANGE OVER BENT 43. HAS A CRACK/SPALL AND DELAMINATED AREA WITH 1 CABLE VISIBLE. AREA IS: 3" x 4" x 2" DEEP.	3	1	1 Feet

General Comments

Span 45 Deck

Reinforced Concrete Deck

Element Number	Element Name	Total Qty	CS1 Qty	CS2 Qty	CS3 Qty	CS4 Qty
12	Reinforced Concrete Deck	2,022	1,706	316	0	0 Square Feet

Element Number	Defect Type	Defect Description	CS	CS Qty	Maint Qty
12	Patched Areas	in both lanes at bent 44 and bent 45, multiple sound patches [up to 8ft x 1ft]	2	14	Square Feet
12	Patched Areas	in left lane at bent 44, delamination [14in x 4in]	2	2	Square Feet
12	Cracking (RC and Other)	SPAN 45 BOTTOM OF DECK HAS SCATTERED MAP CRACKING.	2	300	300 Square Feet

General Comments

Span 45 Beam 2

Prestressed Concrete Girder

Element Number	Element Name	Total Qty	CS1 Qty	CS2 Qty	CS3 Qty	CS4 Qty
109	Prestressed Concrete Open Girder/Beam	60	58	2	0	0 Feet

Element Number	Defect Type	Defect Description	CS	CS Qty	Maint Qty
109	Patched Area	10" LONG X 10" TALL NEW REPAIR TO BOTTOM RIGHT FLANGE AT BENT 45	2	1	Feet
109	Patched Area	6" LONG X 12" TALL NEW REPAIR TO BOTTOM LEFT FLANGE AT BENT 45	2	1	Feet
109	Delamination/Spall	SPAN 45 BEAM 2 LEFT BOTTOM FLANGE OVER BENT 45. HAS A SPALLED AREA WITH 1 CABLE VISIBLE. AREA IS: 7" x 7" x 2" DEEP. CABLE HAS AN EPOXY REPAIR. (REPAIRED PRIOR TO 2022 INSPECTION)	1		Feet
109	Delamination/Spall	SPAN 45 BEAM 2 RIGHT BOTTOM FLANGE OVER BENT 45. HAS A SPALLED AREA WITH 2 CABLES VISIBLE. AREA IS: 6" x 8" x 2" DEEP. CABLES SHOW NO SIGNS OF SECTION LOSS. (REPAIRED PRIOR TO 2022 INSPECTION)	1		Feet

General Comments

Span 45 Beam 3

Prestressed Concrete Girder

Element Number	Element Name	Total Qty	CS1 Qty	CS2 Qty	CS3 Qty	CS4 Qty
109	Prestressed Concrete Open Girder/Beam	60	59	0	1	0 Feet

Element Number	Defect Type	Defect Description	CS	CS Qty	Maint Qty
109	Delamination/Spall	underside of bottom flange at bent 45, spall/delamination [10in x 13in x 1.5in deep] with exposed rusted reinforcing [up to 10% section loss]	3	1	1 Feet

General Comments

Span 45 Beam 4

Prestressed Concrete Girder

Element Number	Element Name	Total Qty	CS1 Qty	CS2 Qty	CS3 Qty	CS4 Qty
109	Prestressed Concrete Open Girder/Beam	60	59	1	0	0 Feet

Element Number	Defect Type	Defect Description	CS	CS Qty	Maint Qty
----------------	-------------	--------------------	----	--------	-----------

Structure Number: 070007Inspection Date: 03/03/2022

109	Patched Area	6" LONG X 4" TALL NEW REPAIR TO BOTTOM RIGHT FLANGE AT BENT 45	2	1	Feet
109	Delamination/Spall	East face of bottom flange at bent 45, spall [6in x 4in x 2in deep] with [1] one exposed rusted strand [up to 15% section loss] (REPAIRED PRIOR TO 2022 INSPECTION)	1		Feet

General Comments

Span 46 Deck

Reinforced Concrete Deck

Element Number	Element Name	Total Qty	CS1 Qty	CS2 Qty	CS3 Qty	CS4 Qty
12	Reinforced Concrete Deck	2,022	1,350	672	0	0 Square Feet

Element Number	Defect Type	Defect Description	CS	CS Qty	Maint Qty
12	Cracking (RC and Other)	SPAN 46 BOTTOM OF LEFT AND RIGHT OVERHANGS. HAVE SCATTERED TRANSVERSE CRACKS AND SCALING WITH SOME EFFLO	2	60	60 Square Feet
12	Patched Areas	in both lanes at bent 45, multiple sound patches [up to 4ft x 1ft]	2	8	Square Feet
12	Delamination/Spall	underside of right overhang at midspan, delamination [20in diameter]	2	4	4 Square Feet
12	Cracking (RC and Other)	SPAN 46 BOTTOM OF DECK HAS SCATTERED MAP CRACKING.	2	600	600 Square Feet
12	Cracking (RC and Other)	along both shoulders, hairline map cracking	1	120	Square Feet

General Comments

Span 46 Beam 1

Prestressed Concrete Girder

Element Number	Element Name	Total Qty	CS1 Qty	CS2 Qty	CS3 Qty	CS4 Qty
109	Prestressed Concrete Open Girder/Beam	60	59	0	1	0 Feet

Element Number	Defect Type	Defect Description	CS	CS Qty	Maint Qty
109	Delamination/Spall	SPAN 46 END OF BEAM 1 OVER BENT 45. HAS A SPALLED AREA. AREA IS 4" x 5" x 1" DEEP.	3	1	1 Feet

General Comments

Span 46 Beam 2

Prestressed Concrete Girder

Element Number	Element Name	Total Qty	CS1 Qty	CS2 Qty	CS3 Qty	CS4 Qty
109	Prestressed Concrete Open Girder/Beam	60	59	1	0	0 Feet

Element Number	Defect Type	Defect Description	CS	CS Qty	Maint Qty
109	Delamination/Spall	West face of bottom flange at bent 46, delamination [8in x 8in]	2	1	1 Feet

General Comments

Span 46 Beam 3

Prestressed Concrete Girder

Element Number	Element Name	Total Qty	CS1 Qty	CS2 Qty	CS3 Qty	CS4 Qty
109	Prestressed Concrete Open Girder/Beam	60	59	1	0	0 Feet

Element Number	Defect Type	Defect Description	CS	CS Qty	Maint Qty
109	Patched Area	10" LONG X 10" TALL NEW REPAIR TO BOTTOM LEFT FLANGE AT BENT 45	2	1	Feet
109	Delamination/Spall	SPAN 46 BEAM 3 LEFT BOTTOM FLANGE OVER BENT 45. HAS A SPALLED AREA WITH 2 CABLES EXPOSED. AREA IS: 7" x 9" x 2" DEEP. CABLES SHOW NO SIGNS OF SECTION LOSS. (REPAIRED PRIOR TO 2022 INSPECTION)	1		Feet

General Comments

Span 46 Beam 4

Prestressed Concrete Girder

Element Number	Element Name	Total Qty	CS1 Qty	CS2 Qty	CS3 Qty	CS4 Qty
109	Prestressed Concrete Open Girder/Beam	60	59	1	0	0 Feet

Element Number	Defect Type	Defect Description	CS	CS Qty	Maint Qty
109	Delamination/Spall	West face of bottom flange at bent 46, delamination [6in x 6in]	2	1	1 Feet

General Comments

Span 47 Deck

Reinforced Concrete Deck

Element Number	Element Name	Total Qty	CS1 Qty	CS2 Qty	CS3 Qty	CS4 Qty
12	Reinforced Concrete Deck	2,022	1,700	322	0	0 Square Feet

Element Number	Defect Type	Defect Description	CS	CS Qty	Maint Qty
12	Cracking (RC and Other)	SPAN 47 BOTTOM OF DECK HAS SCATTERED MAP CRACKING.	2	300	300 Square Feet
12	Patched Areas	in both lanes at bent 46 and bent 47, multiple sound patches [up to 8ft x 1ft]	2	22	Square Feet
12	Cracking (RC and Other)	along both shoulders, hairline map cracking	1	120	Square Feet

General Comments

Span 47 Beam 1

Prestressed Concrete Girder

Element Number	Element Name	Total Qty	CS1 Qty	CS2 Qty	CS3 Qty	CS4 Qty
109	Prestressed Concrete Open Girder/Beam	60	59	1	0	0 Feet

Element Number	Defect Type	Defect Description	CS	CS Qty	Maint Qty
109	Delamination/Spall	SPAN 47 BEAM 1 LEFT BOTTOM FLANGE OVER BENT 46. HAS A CRACK AND DELAMINATED AREA. AREA IS: 4" x 6"	2	1	1 Feet

General Comments

Span 47 Beam 2

Prestressed Concrete Girder

Element Number	Element Name	Total Qty	CS1 Qty	CS2 Qty	CS3 Qty	CS4 Qty
109	Prestressed Concrete Open Girder/Beam	60	59	0	1	0 Feet

Element Number	Defect Type	Defect Description	CS	CS Qty	Maint Qty
109	Exposed Rebar	PAR: 8" LONG X 8" TALL X 3" DEEP SPALL WITH EXPOSED STRANDS WITH SECTION LOSS ON BOTTOM RIGHT FLANGE AT BENT 46	3	1	1 Feet

General Comments

Span 47 Beam 3

Prestressed Concrete Girder

Element Number	Element Name	Total Qty	CS1 Qty	CS2 Qty	CS3 Qty	CS4 Qty
109	Prestressed Concrete Open Girder/Beam	60	59	1	0	0 Feet

Element Number	Defect Type	Defect Description	CS	CS Qty	Maint Qty
109	Delamination/Spall	SPAN 47 BEAM 3 RIGHT BOTTOM FLANGE OVER BENT 46. HAS A CRACKED AND DELAMINATED AREA. AREA IS: 4" x 7"	2	1	1 Feet

General Comments

Span 48 Deck

Reinforced Concrete Deck

Element Number	Element Name	Total Qty	CS1 Qty	CS2 Qty	CS3 Qty	CS4 Qty
12	Reinforced Concrete Deck	2,022	1,688	334	0	0 Square Feet

Element Number	Defect Type	Defect Description	CS	CS Qty	Maint Qty
12	Cracking (RC and Other)	SPAN 48 BOTTOM OF DECK HAS SCATTERED MAP CRACKING.	2	300	300 Square Feet
12	Patched Areas	in both lanes at bent 47, multiple sound patches [up to 10ft x 2ft]	2	34	Square Feet

General Comments

Span 48 Beam 2

Prestressed Concrete Girder

Element Number	Element Name	Total Qty	CS1 Qty	CS2 Qty	CS3 Qty	CS4 Qty
109	Prestressed Concrete Open Girder/Beam	60	58	2	0	0 Feet

Element Number	Defect Type	Defect Description	CS	CS Qty	Maint Qty
109	Patched Area	SPAN 48 BEAM 2 LEFT BOTTOM FLANGE OVER BENT 47. sound patch [7in x 9in]	2	1	Feet
109	Patched Area	SPAN 48 BEAM 2 LEFT BOTTOM FLANGE OVER BENT 48. sound patch [9in x 11in]	2	1	Feet

General Comments

Span 48 Beam 3

Prestressed Concrete Girder

Element Number	Element Name	Total Qty	CS1 Qty	CS2 Qty	CS3 Qty	CS4 Qty
109	Prestressed Concrete Open Girder/Beam	60	59	1	0	0 Feet

Element Number	Defect Type	Defect Description	CS	CS Qty	Maint Qty
109	Delamination/Spall	SPAN 48 BEAM 3 LEFT BOTTOM FLANGE OVER BENT 48. HAS A CRACKED AND DELAMINATED AREA. AREA IS: 7" x 11"	2	1	1 Feet

General Comments

Span 48 Beam 4

Prestressed Concrete Girder

Element Number	Element Name	Total Qty	CS1 Qty	CS2 Qty	CS3 Qty	CS4 Qty
109	Prestressed Concrete Open Girder/Beam	60	59	1	0	0 Feet

Element Number	Defect Type	Defect Description	CS	CS Qty	Maint Qty
109	Delamination/Spall	SPAN 48 END OF BEAM 4 OVER BENT 48. HAS A SPALLED AREA. AREA IS: 3" x 4" x 1/2" DEEP.	2	1	1 Feet

General Comments

Span 49 Deck

Reinforced Concrete Deck

Element Number	Element Name	Total Qty	CS1 Qty	CS2 Qty	CS3 Qty	CS4 Qty
12	Reinforced Concrete Deck	2,022	1,693	319	10	0 Square Feet

Element Number	Defect Type	Defect Description	CS	CS Qty	Maint Qty
12	Delamination/Spall	12" DIAMETER X 1" DEEP SPALL WITH EXPOSED REBAR WITH NO SECTION LOSS IN BAY 3 AT THE 1ST INTERMEDIATE DIAPHRAGM	3	2	2 Square Feet
12	Delamination/Spall	18" DIAMETER X 1" DEEP SPALL WITH EXPOSED REBAR WITH NO SECTION LOSS IN BAY 3 AT 4' NORTH OF 1ST INTERMEDIATE DIAPHRAGM	3	3	3 Square Feet
12	Delamination/Spall	12" LONG X 6" WIDE X 1" DEEP SPALL IN BAY 2 AT 30' FROM BENT 48	3	1	1 Square Feet
12	Delamination/Spall	underside of left overhang at 10' from bent 49, spall [18in diameter x 2in deep] with exposed rusted reinforcing [no section loss]	3	4	4 Square Feet
12	Patched Areas	in right lane at bent 48 and in both lanes at bent 49, multiple sound patches [up to 1ft x 9ft]	2	18	Square Feet
12	Cracking (RC and Other)	SPAN 49 BOTTOM OF DECK HAS SCATTERED MAP AND TRANSVERSE CRACKS WITH SOME SCALING AND EFFLO VISIBLE.	2	300	300 Square Feet
12	Delamination/Spall	right curb at bent 49, delamination [12in x 8in]	2	1	1 Square Feet
12	Cracking (RC and Other)	in right lane at midspan, area of hairline map cracking [12ft x 10ft]	1	120	Square Feet

General Comments

Span 50 Deck

Reinforced Concrete Deck

Element Number	Element Name	Total Qty	CS1 Qty	CS2 Qty	CS3 Qty	CS4 Qty
12	Reinforced Concrete Deck	2,022	1,801	221	0	0 Square Feet

Element Number	Defect Type	Defect Description	CS	CS Qty	Maint Qty
12	Cracking (RC and Other)	SPAN 50 BOTTOM OF DECK HAS SCATTERED MAP CRACKING.	2	200	200 Square Feet
12	Patched Areas	in both lanes at bent 49 and bent 50, multiple sound patches [up to 8ft x 1.5ft]	2	21	Square Feet
12	Cracking (RC and Other)	along both shoulders, hairline map cracking	1	120	Square Feet

General Comments

Span 50 Beam 2

Prestressed Concrete Girder

Element Number	Element Name	Total Qty	CS1 Qty	CS2 Qty	CS3 Qty	CS4 Qty
109	Prestressed Concrete Open Girder/Beam	60	59	0	1	0 Feet

Element Number	Defect Type	Defect Description	CS	CS Qty	Maint Qty
109	Delamination/Spall	SPAN 50 BEAM 2 RIGHT BOTTOM FLANGE OVER BENT 49. HAS A SPALLED AREA WITH 1 CABLE VISIBLE. AREA IS: 3" x 5" x 2" DEEP. THIS AREA HAS AN EPOXY REPAIR.	3	1	1 Feet

General Comments

Span 50 Beam 3

Prestressed Concrete Girder

Element Number	Element Name	Total Qty	CS1 Qty	CS2 Qty	CS3 Qty	CS4 Qty
109	Prestressed Concrete Open Girder/Beam	60	59	1	0	0 Feet

Element Number	Defect Type	Defect Description	CS	CS Qty	Maint Qty
109	Patched Area	SPAN 50 BEAM 3 RIGHT BOTTOM FLANGE OVER BENT 49. sound patch [6in x 7in]	2	1	Feet

General Comments

Span 51 Deck

Reinforced Concrete Deck

Element Number	Element Name	Total Qty	CS1 Qty	CS2 Qty	CS3 Qty	CS4 Qty
12	Reinforced Concrete Deck	2,023	1,755	268	0	0 Square Feet

Element Number	Defect Type	Defect Description	CS	CS Qty	Maint Qty
12	Cracking (RC and Other)	throughout surface, multiple transverse cracks [up to 1/32in x 4ft]	2	15	15 Square Feet
12	Cracking (RC and Other)	SPAN 51 BOTTOM OF DECK HAS SCATTERED MAP CRACKING [up to 1/32in].	2	250	250 Square Feet
12	Patched Areas	in both lanes at bent 50 and bent 51, multiple sound patches [up to 10ft x 1ft]	2	3	Square Feet

General Comments

Span 51 Beam 1

Prestressed Concrete Girder

Element Number	Element Name	Total Qty	CS1 Qty	CS2 Qty	CS3 Qty	CS4 Qty
109	Prestressed Concrete Open Girder/Beam	60	59	1	0	0 Feet

Element Number	Defect Type	Defect Description	CS	CS Qty	Maint Qty
109	Patched Area	10" LONG X 8" TALL NEW REPAIR TO BOTTOM RIGHT FLANGE AT BENT 50	2	1	Feet
109	Delamination/Spall	East face of bottom flange over bent 50, spall [9in x 6in x 2.5in deep] with [2] two exposed rusted strands [up to 1/16in section loss] (REPAIRED PRIOR TO 2022 INSPECTION)	1		Feet

General Comments

Span 51 Beam 1 Near Bearing

Fixed Bearing

Element Number	Element Name	Total Qty	CS1 Qty	CS2 Qty	CS3 Qty	CS4 Qty
313	Fixed Bearing	1	0	1	0	0 Each
515	Steel Protective Coating	2	1	0	1	0 Square Feet

Element Number	Defect Type	Defect Description	CS	CS Qty	Maint Qty
313	Corrosion	painted over pitting [up to 1/8in] with reactivated spot rust	2	1	Each
515	Effectiveness (Steel Protective Coatings)	limited paint effectiveness with spot rust	3	1	1 Square Feet

General Comments

Span 51 Beam 1 Far Bearing

Fixed Bearing

Element Number	Element Name	Total Qty	CS1 Qty	CS2 Qty	CS3 Qty	CS4 Qty
313	Fixed Bearing	1	0	1	0	0 Each
515	Steel Protective Coating	2	2	0	0	0 Square Feet

Element Number	Defect Type	Defect Description	CS	CS Qty	Maint Qty
313	Corrosion	painted over pitting [up to 1/8in]	2	1	Each

General Comments

Span 51 Beam 2

Prestressed Concrete Girder

Element Number	Element Name	Total Qty	CS1 Qty	CS2 Qty	CS3 Qty	CS4 Qty
109	Prestressed Concrete Open Girder/Beam	60	59	1	0	0 Feet

Element Number	Defect Type	Defect Description	CS	CS Qty	Maint Qty
109	Patched Area	12" LONG X 10" TALL NEW REPAIR TO BOTTOM RIGHT FLANGE AT BENT 50	2		Feet
109	Patched Area	12" LONG X 8" TALL NEW REPAIR TO BOTTOM LEFT FLANGE AT BENT 50	2	1	Feet

109	Delamination/Spall	both faces of bottom flange over bent 50, [2] two spalls [up to 13in x 7in x up to 2.25in deep] with [4] four exposed rusted strands [up to 100% section loss] on individual wires (REPAIRED PRIOR TO 2022 INSPECTION)	1	Feet
-----	--------------------	--	---	------

General Comments

Span 51 Beam 2 Near Bearing

Fixed Bearing

Element Number	Element Name	Total Qty	CS1 Qty	CS2 Qty	CS3 Qty	CS4 Qty	
313	Fixed Bearing	1	0	1	0	0	Each
515	Steel Protective Coating	2	1	0	1	0	Square Feet

Element Number	Defect Type	Defect Description	CS	CS Qty	Maint Qty	
313	Corrosion	painted over pitting [up to 1/8in] with reactivated spot rust	2	1		Each
515	Effectiveness (Steel Protective Coatings)	limited paint effectiveness with spot rust	3	1	1	Square Feet

General Comments

Span 51 Beam 2 Far Bearing

Fixed Bearing

Element Number	Element Name	Total Qty	CS1 Qty	CS2 Qty	CS3 Qty	CS4 Qty	
313	Fixed Bearing	1	0	1	0	0	Each
515	Steel Protective Coating	2	2	0	0	0	Square Feet

Element Number	Defect Type	Defect Description	CS	CS Qty	Maint Qty	
313	Corrosion	painted over pitting [up to 1/8in]	2	1		Each

General Comments

Span 51 Beam 3 Near Bearing

Fixed Bearing

Element Number	Element Name	Total Qty	CS1 Qty	CS2 Qty	CS3 Qty	CS4 Qty	
313	Fixed Bearing	1	0	1	0	0	Each
515	Steel Protective Coating	2	1	0	1	0	Square Feet

Element Number	Defect Type	Defect Description	CS	CS Qty	Maint Qty	
313	Corrosion	painted over pitting [up to 1/8in] with reactivated spot rust	2	1		Each
515	Effectiveness (Steel Protective Coatings)	limited paint effectiveness with spot rust	3	1	1	Square Feet

General Comments

Span 51 Beam 3 Far Bearing

Fixed Bearing

Element Number	Element Name	Total Qty	CS1 Qty	CS2 Qty	CS3 Qty	CS4 Qty	
313	Fixed Bearing	1	0	1	0	0	Each
515	Steel Protective Coating	2	2	0	0	0	Square Feet

Element Number	Defect Type	Defect Description	CS	CS Qty	Maint Qty	
313	Corrosion	painted over pitting [up to 1/8in]	2	1		Each

General Comments

Span 51 Beam 4

Prestressed Concrete Girder

Element Number	Element Name	Total Qty	CS1 Qty	CS2 Qty	CS3 Qty	CS4 Qty	
109	Prestressed Concrete Open Girder/Beam	60	59	1	0	0	Feet

Element Number	Defect Type	Defect Description	CS	CS Qty	Maint Qty	
109	Patched Area	SPAN 51 BEAM 4 LEFT BOTTOM FLANGE OVER BENT 51. sound patch [6in x 11in]	2	1		Feet

General Comments

Span 51 Beam 4 Near Bearing

Fixed Bearing

Element Number	Element Name	Total Qty	CS1 Qty	CS2 Qty	CS3 Qty	CS4 Qty	
313	Fixed Bearing	1	0	1	0	0	Each
515	Steel Protective Coating	2	1	0	1	0	Square Feet

Element Number	Defect Type	Defect Description	CS	CS Qty	Maint Qty	
313	Corrosion	painted over pitting [up to 1/8in] with reactivated spot rust	2	1		Each
515	Effectiveness (Steel Protective Coatings)	limited paint effectiveness with spot rust	3	1	1	Square Feet

General Comments

Span 51 Beam 4 Far Bearing

Fixed Bearing

Element Number	Element Name	Total Qty	CS1 Qty	CS2 Qty	CS3 Qty	CS4 Qty	
313	Fixed Bearing	1	0	1	0	0	Each
515	Steel Protective Coating	2	2	0	0	0	Square Feet

Element Number	Defect Type	Defect Description	CS	CS Qty	Maint Qty	
313	Corrosion	painted over pitting [up to 1/8in]	2	1		Each

General Comments

Span 52 Beam 1 Near Bearing

Fixed Bearing

Element Number	Element Name	Total Qty	CS1 Qty	CS2 Qty	CS3 Qty	CS4 Qty	
313	Fixed Bearing	1	0	1	0	0	Each
515	Steel Protective Coating	2	1	0	1	0	Square Feet

Element Number	Defect Type	Defect Description	CS	CS Qty	Maint Qty	
313	Corrosion	painted over pitting [up to 1/4in] and painted over pack rust [up to 1/4in] with reactivated spot rust	2	1		Each
515	Effectiveness (Steel Protective Coatings)	limited paint effectiveness with spot rust	3	1	1	Square Feet

General Comments

Span 52 Beam 1 Far Bearing

Fixed Bearing

Element Number	Element Name	Total Qty	CS1 Qty	CS2 Qty	CS3 Qty	CS4 Qty	
313	Fixed Bearing	1	0	1	0	0	Each
515	Steel Protective Coating	2	2	0	0	0	Square Feet

Element Number	Defect Type	Defect Description	CS	CS Qty	Maint Qty	
313	Corrosion	painted over pitting [up to 1/4in]	2	1		Each

General Comments

Span 52 Beam 2 Near Bearing

Fixed Bearing

Element Number	Element Name	Total Qty	CS1 Qty	CS2 Qty	CS3 Qty	CS4 Qty	
313	Fixed Bearing	1	0	1	0	0	Each
515	Steel Protective Coating	2	1	0	1	0	Square Feet

Element Number	Defect Type	Defect Description	CS	CS Qty	Maint Qty	
313	Corrosion	painted over pitting [up to 1/4in] and painted over pack rust [up to 1/4in] with reactivated spot rust	2	1		Each
515	Effectiveness (Steel Protective Coatings)	limited paint effectiveness with spot rust	3	1	1	Square Feet

General Comments

Span 52 Beam 2 Far Bearing

Fixed Bearing

Element Number	Element Name	Total Qty	CS1 Qty	CS2 Qty	CS3 Qty	CS4 Qty	
313	Fixed Bearing	1	0	1	0	0	Each
515	Steel Protective Coating	2	2	0	0	0	Square Feet

Element Number	Defect Type	Defect Description	CS	CS Qty	Maint Qty	
313	Corrosion	painted over pitting [up to 1/8in]	2	1		Each

General Comments

Span 52 Beam 3

Prestressed Concrete Girder

Element Number	Element Name	Total Qty	CS1 Qty	CS2 Qty	CS3 Qty	CS4 Qty
109	Prestressed Concrete Open Girder/Beam	60	59	0	1	0 Feet

Element Number	Defect Type	Defect Description	CS	CS Qty	Maint Qty
109	Cracking (PSC)	underside of bottom flange at far end, [2] two delaminations [up to 6in x 4in] with adjacent associated cracking [up to 0.012in]	3	1	1 Feet

General Comments

Span 52 Beam 3 Near Bearing

Fixed Bearing

Element Number	Element Name	Total Qty	CS1 Qty	CS2 Qty	CS3 Qty	CS4 Qty
313	Fixed Bearing	1	0	1	0	0 Each
515	Steel Protective Coating	2	1	0	1	0 Square Feet

Element Number	Defect Type	Defect Description	CS	CS Qty	Maint Qty
313	Corrosion	painted over pitting [up to 1/4in] and painted over pack rust [up to 1/4in] with reactivated spot rust	2	1	Each
515	Effectiveness (Steel Protective Coatings)	limited paint effectiveness with spot rust	3	1	1 Square Feet

General Comments

Span 52 Beam 3 Far Bearing

Fixed Bearing

Element Number	Element Name	Total Qty	CS1 Qty	CS2 Qty	CS3 Qty	CS4 Qty
313	Fixed Bearing	1	0	1	0	0 Each
515	Steel Protective Coating	2	2	0	0	0 Square Feet

Element Number	Defect Type	Defect Description	CS	CS Qty	Maint Qty
313	Corrosion	painted over pitting [up to 1/8in]	2	1	Each

General Comments

Span 52 Beam 4

Prestressed Concrete Girder

Element Number	Element Name	Total Qty	CS1 Qty	CS2 Qty	CS3 Qty	CS4 Qty
109	Prestressed Concrete Open Girder/Beam	60	59	1	0	0 Feet

Element Number	Defect Type	Defect Description	CS	CS Qty	Maint Qty
109	Patched Area	10" LONG X 8" TALL NEW REPAIR TO BOTTOM LEFT FLANGE AT BENT 52	2	1	Feet
109	Delamination/Spall	West face of bottom flange over bent 52, spall [9in x 6in x up to 2.5in deep] with [2] two exposed rusted strands [up to 100% section loss] on individual wires (REPAIRED PRIOR TO 2022 INSPECTION)	1		Feet

General Comments

Span 52 Beam 4 Near Bearing

Fixed Bearing

Element Number	Element Name	Total Qty	CS1 Qty	CS2 Qty	CS3 Qty	CS4 Qty	
313	Fixed Bearing	1	0	1	0	0	Each
515	Steel Protective Coating	2	1	0	1	0	Square Feet

Element Number	Defect Type	Defect Description	CS	CS Qty	Maint Qty	
313	Corrosion	painted over pitting [up to 1/4in] and painted over pack rust [up to 1/4in] with reactivated spot rust	2	1		Each
515	Effectiveness (Steel Protective Coatings)	limited paint effectiveness with spot rust	3	1	1	Square Feet

General Comments

Span 52 Beam 4 Far Bearing

Fixed Bearing

Element Number	Element Name	Total Qty	CS1 Qty	CS2 Qty	CS3 Qty	CS4 Qty	
313	Fixed Bearing	1	0	1	0	0	Each
515	Steel Protective Coating	2	2	0	0	0	Square Feet

Element Number	Defect Type	Defect Description	CS	CS Qty	Maint Qty	
313	Corrosion	painted over pitting [up to 1/8in]	2	1		Each

General Comments

Span 53 Deck

Reinforced Concrete Deck

Element Number	Element Name	Total Qty	CS1 Qty	CS2 Qty	CS3 Qty	CS4 Qty	
12	Reinforced Concrete Deck	2,022	1,810	212	0	0	Square Feet

Element Number	Defect Type	Defect Description	CS	CS Qty	Maint Qty	
12	Patched Areas	in right lane at bent 52 and both lanes at bent 53, multiple sound patches [up to 4ft x 2ft]	2	12		Square Feet
12	Cracking (RC and Other)	SPAN 53 BOTTOM OF DECK HAS SCATTERED MAP CRACKING.	2	200	200	Square Feet
12	Cracking (RC and Other)	along both shoulders, hairline map cracking	1	120		Square Feet

General Comments

Span 53 Beam 1

Prestressed Concrete Girder

Element Number	Element Name	Total Qty	CS1 Qty	CS2 Qty	CS3 Qty	CS4 Qty	
109	Prestressed Concrete Open Girder/Beam	60	59	1	0	0	Feet

Element Number	Defect Type	Defect Description	CS	CS Qty	Maint Qty	
109	Delamination/Spall	SPAN 53 BEAM 1 RIGHT WEB OVER BENT 52. HAS A CRACK/SPALL AND DELAMINATED AREA WITH 1 REBAR VISIBLE. AREA IS: 4" x 5" x 1/2" DEEP. No section loss noted.	2			Feet
109	Patched Area	8" LONG X 10" TALL NEW REPAIR TO BOTTOM LEFT FLANGE AT BENT 52	2	1		Feet

109	Delamination/Spall	West face of bottom flange over bent 52, spall/delamination [7in x 9in x 2in deep] with [2] two exposed rusted strands [up to 1/16in section loss] (REPAIRED PRIOR TO 2022 INSPECTION)	1					Feet
-----	--------------------	--	---	--	--	--	--	------

General Comments

Span 53 Beam 1 Near Bearing

Fixed Bearing

Element Number	Element Name	Total Qty	CS1 Qty	CS2 Qty	CS3 Qty	CS4 Qty	
313	Fixed Bearing	1	0	1	0	0	Each
515	Steel Protective Coating	2	1	0	1	0	Square Feet

Element Number	Defect Type	Defect Description	CS	CS Qty	Maint Qty	
313	Corrosion	painted over pitting [up to 1/4in] and painted over pack rust [up to 1/4in] with reactivated spot rust	2	1		Each
515	Effectiveness (Steel Protective Coatings)	limited paint effectiveness with spot rust	3	1	1	Square Feet

General Comments

Span 53 Beam 1 Far Bearing

Fixed Bearing

Element Number	Element Name	Total Qty	CS1 Qty	CS2 Qty	CS3 Qty	CS4 Qty	
313	Fixed Bearing	1	0	1	0	0	Each
515	Steel Protective Coating	2	1	0	1	0	Square Feet

Element Number	Defect Type	Defect Description	CS	CS Qty	Maint Qty	
313	Corrosion	painted over pitting [up to 1/8in] with reactivated spot rust	2	1		Each
515	Effectiveness (Steel Protective Coatings)	limited paint effectiveness with spot rust	3	1	1	Square Feet

General Comments

Span 53 Beam 2

Prestressed Concrete Girder

Element Number	Element Name	Total Qty	CS1 Qty	CS2 Qty	CS3 Qty	CS4 Qty	
109	Prestressed Concrete Open Girder/Beam	60	58	2	0	0	Feet

Element Number	Defect Type	Defect Description	CS	CS Qty	Maint Qty	
109	Patched Area	6" LONG X 8" TALL NEW REPAIR TO BOTTOM RIGHT FLANGE AT BENT 52	2	1		Feet
109	Delamination/Spall	underside of bottom flange at near end, spall [4in x 4in x 1/2in deep] with exposed stirrup [no section loss noted]	2	1	1	Feet
109	Patched Area	SPAN 53 BEAM 2 LEFT BOTTOM FLANGE OVER BENT 52. sound patch [8in x 10in]	2			Feet
109	Delamination/Spall	East face of bottom flange over bent 52, spall/delamination [5in x 5in x 2.5in deep] with [2] two exposed rusted strands [up to 1/16in section loss] (REPAIRED PRIOR TO 2022 INSPECTION)	1			Feet

General Comments

Span 53 **Beam 2 Near Bearing**
Fixed Bearing

Element Number	Element Name	Total Qty	CS1 Qty	CS2 Qty	CS3 Qty	CS4 Qty	
313	Fixed Bearing	1	0	1	0	0	Each
515	Steel Protective Coating	2	1	0	1	0	Square Feet

Element Number	Defect Type	Defect Description	CS	CS Qty	Maint Qty	
313	Corrosion	painted over pitting [up to 1/4in] and painted over pack rust [up to 1/4in] with reactivated spot rust	2	1		Each
515	Effectiveness (Steel Protective Coatings)	limited paint effectiveness with spot rust	3	1	1	Square Feet

General Comments

Span 53 **Beam 3 Near Bearing**
Fixed Bearing

Element Number	Element Name	Total Qty	CS1 Qty	CS2 Qty	CS3 Qty	CS4 Qty	
313	Fixed Bearing	1	0	1	0	0	Each
515	Steel Protective Coating	2	1	0	1	0	Square Feet

Element Number	Defect Type	Defect Description	CS	CS Qty	Maint Qty	
313	Corrosion	painted over pitting [up to 1/4in] and painted over pack rust [up to 1/4in] with reactivated spot rust	2	1		Each
515	Effectiveness (Steel Protective Coatings)	limited paint effectiveness with spot rust	3	1	1	Square Feet

General Comments

Span 53 **Beam 4**
Prestressed Concrete Girder

Element Number	Element Name	Total Qty	CS1 Qty	CS2 Qty	CS3 Qty	CS4 Qty	
109	Prestressed Concrete Open Girder/Beam	60	59	0	1	0	Feet

Element Number	Defect Type	Defect Description	CS	CS Qty	Maint Qty	
109	Delamination/Spall	underside of bottom flange at bent 52, spall [6in x 7in x 1/2in] with exposed rusted stirrup [up to 1/16in section loss]	3	1	1	Feet

General Comments

Span 53 **Beam 4 Near Bearing**
Fixed Bearing

Element Number	Element Name	Total Qty	CS1 Qty	CS2 Qty	CS3 Qty	CS4 Qty	
313	Fixed Bearing	1	0	1	0	0	Each
515	Steel Protective Coating	2	1	0	1	0	Square Feet

Element Number	Defect Type	Defect Description	CS	CS Qty	Maint Qty	
313	Corrosion	painted over pitting [up to 1/4in] and painted over pack rust [up to 1/4in] with reactivated spot rust	2	1		Each
515	Effectiveness (Steel Protective Coatings)	limited paint effectiveness with spot rust	3	1	1	Square Feet

General Comments

Span 53 **Beam 4 Far Bearing**
Fixed Bearing

Element Number	Element Name	Total Qty	CS1 Qty	CS2 Qty	CS3 Qty	CS4 Qty	
313	Fixed Bearing	1	0	1	0	0	Each
515	Steel Protective Coating	2	1	0	1	0	Square Feet

Element Number	Defect Type	Defect Description	CS	CS Qty	Maint Qty	
313	Corrosion	painted over pitting [up to 1/8in] with reactivated spot rust	2	1		Each
515	Effectiveness (Steel Protective Coatings)	limited paint effectiveness with spot rust	3	1	1	Square Feet

General Comments

Span 54 **Deck**
Reinforced Concrete Deck

Element Number	Element Name	Total Qty	CS1 Qty	CS2 Qty	CS3 Qty	CS4 Qty	
12	Reinforced Concrete Deck	2,022	1,996	26	0	0	Square Feet

Element Number	Defect Type	Defect Description	CS	CS Qty	Maint Qty	
12	Patched Areas	in right lane at bent 53 and in both lanes at bent 54, multiple sound patches [up to 8ft x 2ft]	2	22		Square Feet
12	Patched Areas	2' X 2' PATCHED AREA IN BAY 3 AT 30' FROM BENT 53	2	4		Square Feet
12	Cracking (RC and Other)	SPAN 54 BOTTOM OF DECK HAS SCATTERED HAIRLINE MAP CRACKING AND SCALING [up to 1/8in deep]	1	120		Square Feet

General Comments

Span 54 **Beam 1**
Prestressed Concrete Girder

Element Number	Element Name	Total Qty	CS1 Qty	CS2 Qty	CS3 Qty	CS4 Qty	
109	Prestressed Concrete Open Girder/Beam	60	58	1	1	0	Feet

Element Number	Defect Type	Defect Description	CS	CS Qty	Maint Qty	
109	Cracking (PSC)	SPAN 54 BEAM 1 RIGHT BOTTOM FLANGE OVER BENT 53. HAS A 6" LONG CRACK [up to 0.012in] WITH SOME DELAMINATION [6in x 3in].	3	1	1	Feet
109	Patched Area	East face of bottom flange at bent 53, sound patch [6in x 8in]	2	1		Feet

General Comments

Span 54 **Beam 1 Near Bearing**
Fixed Bearing

Element Number	Element Name	Total Qty	CS1 Qty	CS2 Qty	CS3 Qty	CS4 Qty	
313	Fixed Bearing	1	0	1	0	0	Each
515	Steel Protective Coating	2	1	0	1	0	Square Feet

Element Number	Defect Type	Defect Description	CS	CS Qty	Maint Qty	
313	Corrosion	painted over pack rust [up to 1/8in] with reactivated spot rust	2	1		Each

515	Effectiveness (Steel Protective Coatings)	limited paint effectiveness with spot rust	3	1	1	Square Feet
General Comments						

Span 54 Beam 1 Far Bearing

Fixed Bearing

Element Number	Element Name	Total Qty	CS1 Qty	CS2 Qty	CS3 Qty	CS4 Qty
313	Fixed Bearing	1	0	1	0	0 Each
515	Steel Protective Coating	2	2	0	0	0 Square Feet

Element Number	Defect Type	Defect Description	CS	CS Qty	Maint Qty
313	Corrosion	painted over pitting [up to 1/4in] and painted over pack rust [up to 1/8in]	2	1	Each

General Comments

Span 54 Beam 2

Prestressed Concrete Girder

Element Number	Element Name	Total Qty	CS1 Qty	CS2 Qty	CS3 Qty	CS4 Qty
109	Prestressed Concrete Open Girder/Beam	60	59	0	1	0 Feet

Element Number	Defect Type	Defect Description	CS	CS Qty	Maint Qty
109	Delamination/Spall	underside of bottom flange at near end, spall [8in x 5in x up to 1in deep]	3	1	1 Feet

General Comments

Span 54 Beam 2 Near Bearing

Fixed Bearing

Element Number	Element Name	Total Qty	CS1 Qty	CS2 Qty	CS3 Qty	CS4 Qty
313	Fixed Bearing	1	0	1	0	0 Each
515	Steel Protective Coating	2	1	0	1	0 Square Feet

Element Number	Defect Type	Defect Description	CS	CS Qty	Maint Qty
313	Corrosion	painted over pack rust [up to 1/8in] with reactivated spot rust	2	1	Each
515	Effectiveness (Steel Protective Coatings)	limited paint effectiveness with spot rust	3	1	1 Square Feet

General Comments

Span 54 Beam 3 Near Bearing

Fixed Bearing

Element Number	Element Name	Total Qty	CS1 Qty	CS2 Qty	CS3 Qty	CS4 Qty
313	Fixed Bearing	1	0	1	0	0 Each
515	Steel Protective Coating	2	1	0	1	0 Square Feet

Element Number	Defect Type	Defect Description	CS	CS Qty	Maint Qty
313	Corrosion	painted over pack rust [up to 1/8in] with reactivated spot rust	2	1	Each

515	Effectiveness (Steel Protective Coatings)	limited paint effectiveness with spot rust	3	1	1	Square Feet
General Comments						

Span 54 Beam 4

Prestressed Concrete Girder

Element Number	Element Name	Total Qty	CS1 Qty	CS2 Qty	CS3 Qty	CS4 Qty	
109	Prestressed Concrete Open Girder/Beam	60	59	0	1	0	Feet
Element Number	Defect Type	Defect Description	CS	CS Qty	Maint Qty		
109	Delamination/Spall	SPAN 54 END OF BEAM 4 OVER BENT 54. spall [4in x 6in x 1.5in deep] with [2] two exposed rusted strands [up to 1/16in section loss]	3	1	1	1	Feet
General Comments							

Span 54 Beam 4 Near Bearing

Fixed Bearing

Element Number	Element Name	Total Qty	CS1 Qty	CS2 Qty	CS3 Qty	CS4 Qty	
313	Fixed Bearing	1	0	1	0	0	Each
515	Steel Protective Coating	2	1	0	1	0	Square Feet
Element Number	Defect Type	Defect Description	CS	CS Qty	Maint Qty		
313	Corrosion	painted over pack rust [up to 1/8in] with reactivated spot rust	2	1			Each
515	Effectiveness (Steel Protective Coatings)	limited paint effectiveness with spot rust	3	1	1	1	Square Feet
General Comments							

Span 54 Beam 4 Far Bearing

Fixed Bearing

Element Number	Element Name	Total Qty	CS1 Qty	CS2 Qty	CS3 Qty	CS4 Qty	
313	Fixed Bearing	1	0	1	0	0	Each
515	Steel Protective Coating	2	2	0	0	0	Square Feet
Element Number	Defect Type	Defect Description	CS	CS Qty	Maint Qty		
313	Corrosion	painted over pitting [up to 1/8in] and painted over pack rust [up to 1/16in]	2	1			Each
General Comments							

Span 55 Deck

Reinforced Concrete Deck

Element Number	Element Name	Total Qty	CS1 Qty	CS2 Qty	CS3 Qty	CS4 Qty	
12	Reinforced Concrete Deck	2,022	1,993	29	0	0	Square Feet
Element Number	Defect Type	Defect Description	CS	CS Qty	Maint Qty		
12	Abrasion/Wear (PSC/RC)	along centerline in left lane, areas of abrasion [up to 4in wide x 2in deep]	2	14			Square Feet

Structure Number: 070007Inspection Date: 03/03/2022

12	Patched Areas	in left lane at bent 54 and bent 55, multiple sound patches [up to 4ft x 3ft]	2	14	Square Feet
12	Delamination/Spall	right curb at bent 54, delamination [8in x 12in]	2	1	1 Square Feet
12	Cracking (RC and Other)	throughout underside, hairline map cracking	1	400	Square Feet
12	Cracking (RC and Other)	along both shoulders, hairline map cracking	1	120	Square Feet

General Comments

Span 55 Expansion Joint over Bent 54

Standard Joint

Element Number	Element Name	Total Qty	CS1 Qty	CS2 Qty	CS3 Qty	CS4 Qty
301	Pourable Joint Seal	34	30	0	0	4 Feet

Element Number	Defect Type	Defect Description	CS	CS Qty	Maint Qty
301	Seal Adhesion	along joint, loss of seal adhesion [up to 1ft x full depth]	4	4	4 Feet

General Comments

Span 55 Beam 1 Near Bearing

Fixed Bearing

Element Number	Element Name	Total Qty	CS1 Qty	CS2 Qty	CS3 Qty	CS4 Qty
313	Fixed Bearing	1	0	1	0	0 Each
515	Steel Protective Coating	2	1	1	0	0 Square Feet

Element Number	Defect Type	Defect Description	CS	CS Qty	Maint Qty
313	Corrosion	throughout bearing, spot rust	2	1	Each
515	Effectiveness (Steel Protective Coatings)	paint failure with spot rust	2	1	1 Square Feet

General Comments

Span 55 Beam 2

Prestressed Concrete Girder

Element Number	Element Name	Total Qty	CS1 Qty	CS2 Qty	CS3 Qty	CS4 Qty
109	Prestressed Concrete Open Girder/Beam	60	59	0	1	0 Feet

Element Number	Defect Type	Defect Description	CS	CS Qty	Maint Qty
109	Delamination/Spall	West face of bottom flange at far end, spall/delamination [10in x 7in x up to 3/4in deep]	3	1	1 Feet

General Comments

Span 55 Beam 2 Near Bearing

Fixed Bearing

Element Number	Element Name	Total Qty	CS1 Qty	CS2 Qty	CS3 Qty	CS4 Qty
313	Fixed Bearing	1	0	1	0	0 Each
515	Steel Protective Coating	2	1	1	0	0 Square Feet

Element Number	Defect Type	Defect Description	CS	CS Qty	Maint Qty
----------------	-------------	--------------------	----	--------	-----------

Structure Number: 070007

Inspection Date: 03/03/2022

313	Corrosion	throughout bearing, spot rust	2	1	Each
515	Effectiveness (Steel Protective Coatings)	paint failure with spot rust	2	1	1 Square Feet

General Comments

Span 55 Beam 3

Prestressed Concrete Girder

Element Number	Element Name	Total Qty	CS1 Qty	CS2 Qty	CS3 Qty	CS4 Qty
109	Prestressed Concrete Open Girder/Beam	60	59	1	0	0 Feet

Element Number	Defect Type	Defect Description	CS	CS Qty	Maint Qty
109	Patched Area	West face of bottom flange at far end, sound patch [12in x 5in]	2	1	Feet

General Comments

Span 55 Beam 3 Near Bearing

Fixed Bearing

Element Number	Element Name	Total Qty	CS1 Qty	CS2 Qty	CS3 Qty	CS4 Qty
313	Fixed Bearing	1	0	1	0	0 Each
515	Steel Protective Coating	2	1	1	0	0 Square Feet

Element Number	Defect Type	Defect Description	CS	CS Qty	Maint Qty
313	Corrosion	throughout bearing, spot rust	2	1	Each
515	Effectiveness (Steel Protective Coatings)	paint failure with spot rust	2	1	1 Square Feet

General Comments

Span 55 Beam 4 Near Bearing

Fixed Bearing

Element Number	Element Name	Total Qty	CS1 Qty	CS2 Qty	CS3 Qty	CS4 Qty
313	Fixed Bearing	1	0	1	0	0 Each
515	Steel Protective Coating	2	1	1	0	0 Square Feet

Element Number	Defect Type	Defect Description	CS	CS Qty	Maint Qty
313	Corrosion	throughout bearing, spot rust	2	1	Each
515	Effectiveness (Steel Protective Coatings)	paint failure with spot rust	2	1	1 Square Feet

General Comments

Span 56 Deck

Reinforced Concrete Deck

Element Number	Element Name	Total Qty	CS1 Qty	CS2 Qty	CS3 Qty	CS4 Qty
12	Reinforced Concrete Deck	2,022	2,020	0	2	0 Square Feet

Element Number	Defect Type	Defect Description	CS	CS Qty	Maint Qty
12	Delamination/Spall	in right lane at bent 56, spall [15in x 2in wide x 2in deep]	3	2	2 Square Feet

12	Cracking (RC and Other)	SPAN 56 BOTTOM OF DECK HAS SCATTERED hairline MAP CRACKING.	1	400	Square Feet
General Comments					

Span 56 Beam 1

Prestressed Concrete Girder

Element Number	Element Name	Total Qty	CS1 Qty	CS2 Qty	CS3 Qty	CS4 Qty	
109	Prestressed Concrete Open Girder/Beam	60	58	2	0	0	Feet
Element Number	Defect Type	Defect Description	CS	CS Qty	Maint Qty		
109	Patched Area	both faces at far end, [2] two sound patches [up to 15in x up to 13in]	2	2		Feet	

General Comments

West face of bottom flange at midspan, formwork wood imbedded in concrete from factory

Span 56 Beam 1 Near Bearing

Fixed Bearing

Element Number	Element Name	Total Qty	CS1 Qty	CS2 Qty	CS3 Qty	CS4 Qty	
313	Fixed Bearing	1	0	1	0	0	Each
515	Steel Protective Coating	2	1	0	1	0	Square Feet
Element Number	Defect Type	Defect Description	CS	CS Qty	Maint Qty		
313	Corrosion	painted over pitting [up to 1/8in] with reactivated spot rust	2	1		Each	
515	Effectiveness (Steel Protective Coatings)	limited paint effectiveness with spot rust	3	1	1	Square Feet	

General Comments

Span 56 Beam 1 Far Bearing

Fixed Bearing

Element Number	Element Name	Total Qty	CS1 Qty	CS2 Qty	CS3 Qty	CS4 Qty	
313	Fixed Bearing	1	0	1	0	0	Each
515	Steel Protective Coating	2	2	0	0	0	Square Feet
Element Number	Defect Type	Defect Description	CS	CS Qty	Maint Qty		
313	Corrosion	painted over pitting [up to 1/8in]	2	1		Each	

General Comments

Span 56 Beam 2

Prestressed Concrete Girder

Element Number	Element Name	Total Qty	CS1 Qty	CS2 Qty	CS3 Qty	CS4 Qty	
109	Prestressed Concrete Open Girder/Beam	60	59	1	0	0	Feet
Element Number	Defect Type	Defect Description	CS	CS Qty	Maint Qty		
109	Patched Area	East face of bottom flange at far end, sound patch [8in x 10in]	2	1		Feet	

General Comments

Span 56 Beam 2 Near Bearing

Fixed Bearing

Element Number	Element Name	Total Qty	CS1 Qty	CS2 Qty	CS3 Qty	CS4 Qty	
313	Fixed Bearing	1	0	1	0	0	Each
515	Steel Protective Coating	2	1	0	1	0	Square Feet

Element Number	Defect Type	Defect Description	CS	CS Qty	Maint Qty	
313	Corrosion	painted over pitting [up to 1/4in] and painted over pack rust [up to 1/8in] with reactivated spot rust	2	1		Each
515	Effectiveness (Steel Protective Coatings)	limited paint effectiveness with spot rust	3	1	1	Square Feet

General Comments

Span 56 Beam 2 Far Bearing

Fixed Bearing

Element Number	Element Name	Total Qty	CS1 Qty	CS2 Qty	CS3 Qty	CS4 Qty	
313	Fixed Bearing	1	0	1	0	0	Each
515	Steel Protective Coating	2	1	0	1	0	Square Feet

Element Number	Defect Type	Defect Description	CS	CS Qty	Maint Qty	
313	Corrosion	painted over pitting [up to 1/4in] and painted over pack rust [up to 1/8in] with reactivated spot rust	2	1		Each
515	Effectiveness (Steel Protective Coatings)	limited paint effectiveness with spot rust	3	1	1	Square Feet

General Comments

Span 56 Beam 3

Prestressed Concrete Girder

Element Number	Element Name	Total Qty	CS1 Qty	CS2 Qty	CS3 Qty	CS4 Qty	
109	Prestressed Concrete Open Girder/Beam	60	57	3	0	0	Feet

Element Number	Defect Type	Defect Description	CS	CS Qty	Maint Qty	
109	Delamination/Spall	West face of bottom flange at near end, delamination [6in x 5in]	2	1	1	Feet
109	Delamination/Spall	underside of bottom flange at far end, two spall/delaminations [up to 4in x 3in x 1/2in deep]	2	1	1	Feet
109	Patched Area	East face of bottom flange at far end, sound patch [18in x 7in]	2	1		Feet

General Comments

Span 56 Beam 3 Near Bearing

Fixed Bearing

Element Number	Element Name	Total Qty	CS1 Qty	CS2 Qty	CS3 Qty	CS4 Qty	
313	Fixed Bearing	1	0	1	0	0	Each
515	Steel Protective Coating	2	1	0	1	0	Square Feet

Element Number	Defect Type	Defect Description	CS	CS Qty	Maint Qty	
313	Corrosion	painted over pitting [up to 1/4in] and painted over pack rust [up to 1/4in] with reactivated spot rust	2	1		Each

515	Effectiveness (Steel Protective Coatings)	limited paint effectiveness with spot rust	3	1	1	Square Feet
General Comments						

Span 56 Beam 3 Far Bearing

Fixed Bearing

Element Number	Element Name	Total Qty	CS1 Qty	CS2 Qty	CS3 Qty	CS4 Qty
313	Fixed Bearing	1	0	1	0	0 Each
515	Steel Protective Coating	2	1	0	1	0 Square Feet

Element Number	Defect Type	Defect Description	CS	CS Qty	Maint Qty
313	Corrosion	painted over pitting [up to 1/8in] and painted over pack rust [up to 1/8in] with reactivated spot rust	2	1	Each
515	Effectiveness (Steel Protective Coatings)	limited paint effectiveness with spot rust	3	1	1 Square Feet
General Comments					

Span 56 Beam 4

Prestressed Concrete Girder

Element Number	Element Name	Total Qty	CS1 Qty	CS2 Qty	CS3 Qty	CS4 Qty
109	Prestressed Concrete Open Girder/Beam	60	58	0	2	0 Feet

Element Number	Defect Type	Defect Description	CS	CS Qty	Maint Qty
109	Patched Area	East face at far end, unsound patch [20in x 8in]	3	2	2 Feet
General Comments					

Span 56 Beam 4 Near Bearing

Fixed Bearing

Element Number	Element Name	Total Qty	CS1 Qty	CS2 Qty	CS3 Qty	CS4 Qty
313	Fixed Bearing	1	0	1	0	0 Each
515	Steel Protective Coating	2	1	0	1	0 Square Feet

Element Number	Defect Type	Defect Description	CS	CS Qty	Maint Qty
313	Corrosion	painted over pitting [up to 1/4in] and painted over pack rust [up to 1/4in] with reactivated spot rust	2	1	Each
515	Effectiveness (Steel Protective Coatings)	limited paint effectiveness with spot rust	3	1	1 Square Feet
General Comments					

Span 56 Beam 4 Far Bearing

Fixed Bearing

Element Number	Element Name	Total Qty	CS1 Qty	CS2 Qty	CS3 Qty	CS4 Qty
313	Fixed Bearing	1	0	1	0	0 Each
515	Steel Protective Coating	2	1	0	1	0 Square Feet

Element Number	Defect Type	Defect Description	CS	CS Qty	Maint Qty
----------------	-------------	--------------------	----	--------	-----------

Structure Number: 070007Inspection Date: 03/03/2022

313	Corrosion	painted over pitting [up to 1/8in] and painted over pack rust [up to 1/8in] with reactivated spot rust	2	1	Each
515	Effectiveness (Steel Protective Coatings)	limited paint effectiveness with spot rust	3	1	1 Square Feet

General Comments

Span 57 Beam 1

Prestressed Concrete Girder

Element Number	Element Name	Total Qty	CS1 Qty	CS2 Qty	CS3 Qty	CS4 Qty
109	Prestressed Concrete Open Girder/Beam	60	56	4	0	0 Feet

Element Number	Defect Type	Defect Description	CS	CS Qty	Maint Qty
109	Patched Area	both faces of bottom flange at far end, two sound patches [up to 14in x up to 12in]	2	2	Feet
109	Patched Area	West face of bottom flange 12in from near end, sound patch [14in x 4in]	2	2	Feet

General Comments

Span 57 Beam 1 Near Bearing

Fixed Bearing

Element Number	Element Name	Total Qty	CS1 Qty	CS2 Qty	CS3 Qty	CS4 Qty
313	Fixed Bearing	1	0	1	0	0 Each
515	Steel Protective Coating	2	2	0	0	0 Square Feet

Element Number	Defect Type	Defect Description	CS	CS Qty	Maint Qty
313	Corrosion	painted over pitting [up to 1/8in]	2	1	Each

General Comments

Span 57 Beam 1 Far Bearing

Fixed Bearing

Element Number	Element Name	Total Qty	CS1 Qty	CS2 Qty	CS3 Qty	CS4 Qty
313	Fixed Bearing	1	0	1	0	0 Each
515	Steel Protective Coating	2	2	0	0	0 Square Feet

Element Number	Defect Type	Defect Description	CS	CS Qty	Maint Qty
313	Corrosion	painted over pitting [up to 1/8in]	2	1	Each

General Comments

Span 57 Beam 2

Prestressed Concrete Girder

Element Number	Element Name	Total Qty	CS1 Qty	CS2 Qty	CS3 Qty	CS4 Qty
109	Prestressed Concrete Open Girder/Beam	60	53	7	0	0 Feet

Element Number	Defect Type	Defect Description	CS	CS Qty	Maint Qty
109	Patched Area	underside and West bottom flange at far end, sound patch [up to 14in x up to full width]	2	2	Feet

109	Patched Area	underside and East bottom flange flange at near end, sound patch [up to 37in x up to 5in]	2	4	Feet
109	Delamination/Spall	West bottom flange at far end, delamination [6in x up to 5in]	2	1	1 Feet

General Comments

Span 57 Beam 2 Near Bearing

Fixed Bearing

Element Number	Element Name	Total Qty	CS1 Qty	CS2 Qty	CS3 Qty	CS4 Qty	
313	Fixed Bearing	1	0	1	0	0	Each
515	Steel Protective Coating	2	1	0	1	0	Square Feet

Element Number	Defect Type	Defect Description	CS	CS Qty	Maint Qty	
313	Corrosion	painted over pitting [up to 1/4in] and painted over pack rust [up to 1/8in] with reactivated spot rust	2	1		Each
515	Effectiveness (Steel Protective Coatings)	limited paint effectiveness with spot rust	3	1	1	Square Feet

General Comments

Span 57 Beam 2 Far Bearing

Fixed Bearing

Element Number	Element Name	Total Qty	CS1 Qty	CS2 Qty	CS3 Qty	CS4 Qty	
313	Fixed Bearing	1	0	1	0	0	Each
515	Steel Protective Coating	2	2	0	0	0	Square Feet

Element Number	Defect Type	Defect Description	CS	CS Qty	Maint Qty	
313	Corrosion	painted over pitting [up to 1/4in]	2	1		Each

General Comments

Span 57 Beam 3

Prestressed Concrete Girder

Element Number	Element Name	Total Qty	CS1 Qty	CS2 Qty	CS3 Qty	CS4 Qty	
109	Prestressed Concrete Open Girder/Beam	60	58	2	0	0	Feet

Element Number	Defect Type	Defect Description	CS	CS Qty	Maint Qty	
109	Patched Area	underside of bottom flange at far end, sound patch [12in x up to full width]	2	1		Feet
109	Patched Area	both faces of bottom flange at near end, [2] two sound patches [up to 10in x up to 14in]	2	1		Feet

General Comments

Span 57 Beam 3 Near Bearing

Fixed Bearing

Element Number	Element Name	Total Qty	CS1 Qty	CS2 Qty	CS3 Qty	CS4 Qty	
313	Fixed Bearing	1	0	1	0	0	Each
515	Steel Protective Coating	2	1	0	1	0	Square Feet

Element Number	Defect Type	Defect Description	CS	CS Qty	Maint Qty	
----------------	-------------	--------------------	----	--------	-----------	--

Structure Number: 070007

Inspection Date: 03/03/2022

313	Corrosion	Painted over pitting [up to 1/4in] and painted over pack rust [up to 1/8in] with reactivated spot rust	2	1	Each
515	Effectiveness (Steel Protective Coatings)	Limited paint effectiveness with spot rust	3	1	1 Square Feet

General Comments

Span 57 Beam 3 Far Bearing

Fixed Bearing

Element Number	Element Name	Total Qty	CS1 Qty	CS2 Qty	CS3 Qty	CS4 Qty	
313	Fixed Bearing	1	0	1	0	0	Each
515	Steel Protective Coating	2	2	0	0	0	Square Feet

Element Number	Defect Type	Defect Description	CS	CS Qty	Maint Qty	
313	Corrosion	Painted over pitting [up to 1/8in]	2	1		Each

General Comments

Span 57 Beam 4

Prestressed Concrete Girder

Element Number	Element Name	Total Qty	CS1 Qty	CS2 Qty	CS3 Qty	CS4 Qty	
109	Prestressed Concrete Open Girder/Beam	60	56	4	0	0	Feet

Element Number	Defect Type	Defect Description	CS	CS Qty	Maint Qty	
109	Patched Area	Underside and East bottom flange at far end, sound patch [up to 24in x up to full width]	2	2		Feet
109	Patched Area	East face of bottom flange at near end, sound patch [23in x 10in]	2	2		Feet

General Comments

Span 57 Beam 4 Near Bearing

Fixed Bearing

Element Number	Element Name	Total Qty	CS1 Qty	CS2 Qty	CS3 Qty	CS4 Qty	
313	Fixed Bearing	1	0	0	1	0	Each
515	Steel Protective Coating	2	0	0	0	2	Square Feet

Element Number	Defect Type	Defect Description	CS	CS Qty	Maint Qty	
313	Corrosion	Active surface corrosion [up to 1/4in section loss] and pack rust [up to 1/4in]	3	1		Each
515	Effectiveness (Steel Protective Coatings)	Paint failure with active surface corrosion	4	2		2 Square Feet

General Comments

Span 57 Beam 4 Far Bearing

Fixed Bearing

Element Number	Element Name	Total Qty	CS1 Qty	CS2 Qty	CS3 Qty	CS4 Qty	
313	Fixed Bearing	1	0	1	0	0	Each
515	Steel Protective Coating	2	1	0	1	0	Square Feet

Element Number	Defect Type	Defect Description	CS	CS Qty	Maint Qty	
313	Corrosion	painted over pitting [up to 1/4in] with reactivated spot rust	2	1		Each
515	Effectiveness (Steel Protective Coatings)	limited paint effectiveness with spot rust	3	1	1	Square Feet

General Comments

Span 58 Deck

Reinforced Concrete Deck

Element Number	Element Name	Total Qty	CS1 Qty	CS2 Qty	CS3 Qty	CS4 Qty	
12	Reinforced Concrete Deck	2,022	2,011	9	2	0	Square Feet

Element Number	Defect Type	Defect Description	CS	CS Qty	Maint Qty	
12	Delamination/Spall	SPAN 58 BOTTOM OF RIGHT OVERHANG. HAS A SPALL AND DELAMINATED AREA WITH REBAR VISIBLE. LOCATED AT MID-SPAN. AREA IS: 6" x18" x 1/2" DEEP. section loss [up to 1/16in]	3	2	2	Square Feet
12	Patched Areas	in right lane at bent 58, sound patch [9ft x 1ft]	2	9		Square Feet
12	Cracking (RC and Other)	SPAN 58 BOTTOM OF DECK HAS SCATTERED hairline MAP CRACKING.	1	400		Square Feet

General Comments

Span 58 Beam 1

Prestressed Concrete Girder

Element Number	Element Name	Total Qty	CS1 Qty	CS2 Qty	CS3 Qty	CS4 Qty	
109	Prestressed Concrete Open Girder/Beam	60	59	1	0	0	Feet

Element Number	Defect Type	Defect Description	CS	CS Qty	Maint Qty	
109	Patched Area	SPAN 58 BEAM 1 RIGHT BOTTOM FLANGE OVER BENT 57. sound patch [6in x 10in]	2	1		Feet

General Comments

Span 58 Beam 1 Near Bearing

Fixed Bearing

Element Number	Element Name	Total Qty	CS1 Qty	CS2 Qty	CS3 Qty	CS4 Qty	
313	Fixed Bearing	1	0	1	0	0	Each
515	Steel Protective Coating	2	1	0	1	0	Square Feet

Element Number	Defect Type	Defect Description	CS	CS Qty	Maint Qty	
313	Corrosion	painted over pitting [up to 1/8in] and painted over pack rust [up to 1/4in] with reactivated spot rust	2	1		Each
515	Effectiveness (Steel Protective Coatings)	limited paint effectiveness with spot rust	3	1	1	Square Feet

General Comments

Span 58 Beam 1 Far Bearing

Fixed Bearing

Element Number	Element Name	Total Qty	CS1 Qty	CS2 Qty	CS3 Qty	CS4 Qty	
313	Fixed Bearing	1	0	1	0	0	Each
515	Steel Protective Coating	2	1	0	1	0	Square Feet

Element Number	Defect Type	Defect Description	CS	CS Qty	Maint Qty	
313	Corrosion	painted over pitting [up to 1/8in] with reactivated spot rust	2	1		Each
515	Effectiveness (Steel Protective Coatings)	limited paint effectiveness with spot rust	3	1	1	Square Feet

General Comments

Span 58 Beam 2 Near Bearing

Fixed Bearing

Element Number	Element Name	Total Qty	CS1 Qty	CS2 Qty	CS3 Qty	CS4 Qty	
313	Fixed Bearing	1	0	1	0	0	Each
515	Steel Protective Coating	2	1	0	1	0	Square Feet

Element Number	Defect Type	Defect Description	CS	CS Qty	Maint Qty	
313	Corrosion	painted over pitting [up to 1/8in] and painted over pack rust [up to 1/4in] with reactivated spot rust	2	1		Each
515	Effectiveness (Steel Protective Coatings)	limited paint effectiveness with spot rust	3	1	1	Square Feet

General Comments

Span 58 Beam 2 Far Bearing

Fixed Bearing

Element Number	Element Name	Total Qty	CS1 Qty	CS2 Qty	CS3 Qty	CS4 Qty	
313	Fixed Bearing	1	0	1	0	0	Each
515	Steel Protective Coating	2	1	0	1	0	Square Feet

Element Number	Defect Type	Defect Description	CS	CS Qty	Maint Qty	
313	Corrosion	painted over pitting [up to 1/4in] and painted over pack rust [up to 1/4in] with reactivated spot rust	2	1		Each
515	Effectiveness (Steel Protective Coatings)	limited paint effectiveness with spot rust	3	1	1	Square Feet

General Comments

Span 58 Beam 3

Prestressed Concrete Girder

Element Number	Element Name	Total Qty	CS1 Qty	CS2 Qty	CS3 Qty	CS4 Qty	
109	Prestressed Concrete Open Girder/Beam	60	58	2	0	0	Feet

Element Number	Defect Type	Defect Description	CS	CS Qty	Maint Qty	
----------------	-------------	--------------------	----	--------	-----------	--

109	Patched Area	East face of bottom flange at near end, sound patch [14in x 6in]	2	2	Feet
-----	--------------	--	---	---	------

General Comments

Span 58 Beam 3 Near Bearing

Fixed Bearing

Element Number	Element Name	Total Qty	CS1 Qty	CS2 Qty	CS3 Qty	CS4 Qty	
313	Fixed Bearing	1	0	1	0	0	Each
515	Steel Protective Coating	2	1	0	1	0	Square Feet

Element Number	Defect Type	Defect Description	CS	CS Qty	Maint Qty	
313	Corrosion	painted over pitting [up to 1/8in] and painted over pack rust [up to 1/4in] with reactivated spot rust	2	1		Each
515	Effectiveness (Steel Protective Coatings)	limited paint effectiveness with spot rust	3	1	1	Square Feet

General Comments

Span 58 Beam 3 Far Bearing

Fixed Bearing

Element Number	Element Name	Total Qty	CS1 Qty	CS2 Qty	CS3 Qty	CS4 Qty	
313	Fixed Bearing	1	0	1	0	0	Each
515	Steel Protective Coating	2	1	0	1	0	Square Feet

Element Number	Defect Type	Defect Description	CS	CS Qty	Maint Qty	
313	Corrosion	painted over pitting [up to 1/4in] with reactivated spot rust	2	1		Each
515	Effectiveness (Steel Protective Coatings)	limited paint effectiveness with spot rust	3	1	1	Square Feet

General Comments

Span 58 Beam 4 Near Bearing

Fixed Bearing

Element Number	Element Name	Total Qty	CS1 Qty	CS2 Qty	CS3 Qty	CS4 Qty	
313	Fixed Bearing	1	0	1	0	0	Each
515	Steel Protective Coating	2	1	0	1	0	Square Feet

Element Number	Defect Type	Defect Description	CS	CS Qty	Maint Qty	
313	Corrosion	painted over pitting [up to 1/8in] and painted over pack rust [up to 1/4in] with reactivated spot rust	2	1		Each
515	Effectiveness (Steel Protective Coatings)	limited paint effectiveness with spot rust	3	1	1	Square Feet

General Comments

Span 58 Beam 4 Far Bearing

Fixed Bearing

Element Number	Element Name	Total Qty	CS1 Qty	CS2 Qty	CS3 Qty	CS4 Qty	
313	Fixed Bearing	1	0	1	0	0	Each
515	Steel Protective Coating	2	1	0	1	0	Square Feet

Element Number	Defect Type	Defect Description	CS	CS Qty	Maint Qty	
313	Corrosion	painted over pitting [up to 1/8in] with reactivated spot rust	2	1		Each
515	Effectiveness (Steel Protective Coatings)	limited paint effectiveness with spot rust	3	1	1	Square Feet

General Comments

Span 59 Deck

Reinforced Concrete Deck

Element Number	Element Name	Total Qty	CS1 Qty	CS2 Qty	CS3 Qty	CS4 Qty	
12	Reinforced Concrete Deck	2,022	1,996	26	0	0	Square Feet

Element Number	Defect Type	Defect Description	CS	CS Qty	Maint Qty	
12	Patched Areas	in both lanes at bent 58 and bent 59, multiple sound patches [up to 6ft x 1ft]	2	18		Square Feet
12	Patched Areas	8' WIDE X 1' LONG CONCRETE AND ASPHALT PATCHED AREA IN NORTH BOUND LANE AT BENT 58	2	8		Square Feet
12	Cracking (RC and Other)	SPAN 59 BOTTOM OF DECK HAS SCATTERED hairline map cracking	1	700		Square Feet
12	Delamination/Spall	in Northbound lane over bent 58, spall/delamination/failed patch [2.5ft x 1ft x up to 4in deep] with [1] one exposed rusted reinforcing [no section loss] (REPAIRED PRIOR TO 2022 INSPECTION)	1			Square Feet

General Comments

Span 59 Beam 1 Near Bearing

Fixed Bearing

Element Number	Element Name	Total Qty	CS1 Qty	CS2 Qty	CS3 Qty	CS4 Qty	
313	Fixed Bearing	1	0	1	0	0	Each
515	Steel Protective Coating	2	1	0	1	0	Square Feet

Element Number	Defect Type	Defect Description	CS	CS Qty	Maint Qty	
313	Corrosion	painted over pack rust [up to 1/8in] with reactivated spot rust	2	1		Each
515	Effectiveness (Steel Protective Coatings)	limited paint effectiveness with spot rust	3	1	1	Square Feet

General Comments

Span 59 Beam 1 Far Bearing

Fixed Bearing

Element Number	Element Name	Total Qty	CS1 Qty	CS2 Qty	CS3 Qty	CS4 Qty	
313	Fixed Bearing	1	0	1	0	0	Each
515	Steel Protective Coating	2	1	0	1	0	Square Feet

Element Number	Defect Type	Defect Description	CS	CS Qty	Maint Qty	
313	Corrosion	painted over pitting [up to 1/8in] with reactivated spot rust	2	1		Each
515	Effectiveness (Steel Protective Coatings)	limited paint effectiveness with spot rust	3	1	1	Square Feet

General Comments

Span 59 Beam 2

Prestressed Concrete Girder

Element Number	Element Name	Total Qty	CS1 Qty	CS2 Qty	CS3 Qty	CS4 Qty	
109	Prestressed Concrete Open Girder/Beam	60	59	1	0	0	Feet

Element Number	Defect Type	Defect Description	CS	CS Qty	Maint Qty	
109	Patched Area	both faces of bottom flange at near end, two [2] sound patches [up to 6in x 7in]	2	1		Feet

General Comments

Span 59 Beam 2 Near Bearing

Fixed Bearing

Element Number	Element Name	Total Qty	CS1 Qty	CS2 Qty	CS3 Qty	CS4 Qty	
313	Fixed Bearing	1	0	1	0	0	Each
515	Steel Protective Coating	2	1	0	1	0	Square Feet

Element Number	Defect Type	Defect Description	CS	CS Qty	Maint Qty	
313	Corrosion	painted over pitting [up to 1/4in] and painted over pack rust [up to 1/4in] with reactivated spot rust	2	1		Each
515	Effectiveness (Steel Protective Coatings)	limited paint effectiveness with spot rust	3	1	1	Square Feet

General Comments

Span 59 Beam 2 Far Bearing

Fixed Bearing

Element Number	Element Name	Total Qty	CS1 Qty	CS2 Qty	CS3 Qty	CS4 Qty	
313	Fixed Bearing	1	0	1	0	0	Each
515	Steel Protective Coating	2	1	0	1	0	Square Feet

Element Number	Defect Type	Defect Description	CS	CS Qty	Maint Qty	
313	Corrosion	painted over pitting [up to 1/8in] with reactivated spot rust	2	1		Each
515	Effectiveness (Steel Protective Coatings)	limited paint effectiveness with spot rust	3	1	1	Square Feet

General Comments

Span 59

Beam 3

Prestressed Concrete Girder

Element Number	Element Name	Total Qty	CS1 Qty	CS2 Qty	CS3 Qty	CS4 Qty	
109	Prestressed Concrete Open Girder/Beam	60	58	1	1	0	Feet

Element Number	Defect Type	Defect Description	CS	CS Qty	Maint Qty	
109	Delamination/Spall	East bottom flange at near end, spall [6in x 6in x up to 2.25in] with [1] one exposed strand [no section loss noted]	3	1	1	Feet
109	Patched Area	SPAN 59 BEAM 3 both sides of BOTTOM FLANGE OVER BENT 59. sound patches [up to 8in x up to 15in]	2	1		Feet
109	Patched Area	West bottom flange at near end, sound patch [5in x 7in]	2			Feet

General Comments

Span 59

Beam 3 Near Bearing

Fixed Bearing

Element Number	Element Name	Total Qty	CS1 Qty	CS2 Qty	CS3 Qty	CS4 Qty	
313	Fixed Bearing	1	0	1	0	0	Each
515	Steel Protective Coating	2	1	0	1	0	Square Feet

Element Number	Defect Type	Defect Description	CS	CS Qty	Maint Qty	
313	Corrosion	painted over pitting [up to 1/4in] and painted over pack rust [up to 1/4in] with reactivated spot rust	2	1		Each
515	Effectiveness (Steel Protective Coatings)	limited paint effectiveness with spot rust	3	1	1	Square Feet

General Comments

Span 59

Beam 3 Far Bearing

Fixed Bearing

Element Number	Element Name	Total Qty	CS1 Qty	CS2 Qty	CS3 Qty	CS4 Qty	
313	Fixed Bearing	1	0	1	0	0	Each
515	Steel Protective Coating	2	1	0	1	0	Square Feet

Element Number	Defect Type	Defect Description	CS	CS Qty	Maint Qty	
313	Corrosion	painted over pitting [up to 1/8in] and with reactivated spot rust	2	1		Each
515	Effectiveness (Steel Protective Coatings)	limited paint effectiveness with spot rust	3	1	1	Square Feet

General Comments

Span 59

Beam 4 Near Bearing

Fixed Bearing

Element Number	Element Name	Total Qty	CS1 Qty	CS2 Qty	CS3 Qty	CS4 Qty	
313	Fixed Bearing	1	0	1	0	0	Each
515	Steel Protective Coating	2	1	0	1	0	Square Feet

Element Number	Defect Type	Defect Description	CS	CS Qty	Maint Qty	
313	Corrosion	painted over pitting [up to 1/4in] and painted over pack rust [up to 1/4in] with reactivated spot rust	2	1		Each

515	Effectiveness (Steel Protective Coatings)	limited paint effectiveness with spot rust	3	1	1	Square Feet
General Comments						

Span 59 Beam 4 Far Bearing

Fixed Bearing

Element Number	Element Name	Total Qty	CS1 Qty	CS2 Qty	CS3 Qty	CS4 Qty
313	Fixed Bearing	1	0	1	0	0 Each
515	Steel Protective Coating	2	1	0	1	0 Square Feet

Element Number	Defect Type	Defect Description	CS	CS Qty	Maint Qty
313	Corrosion	painted over pitting [up to 1/8in] and with reactivated spot rust	2	1	Each
515	Effectiveness (Steel Protective Coatings)	limited paint effectiveness with spot rust	3	1	1 Square Feet
General Comments					

Span 60 Deck

Reinforced Concrete Deck

Element Number	Element Name	Total Qty	CS1 Qty	CS2 Qty	CS3 Qty	CS4 Qty
12	Reinforced Concrete Deck	2,022	2,001	21	0	0 Square Feet

Element Number	Defect Type	Defect Description	CS	CS Qty	Maint Qty
12	Cracking (RC and Other)	throughout surface, multiple longitudinal cracks [up to 1/32in x 1ft]	2	18	18 Square Feet
12	Patched Areas	in left lane at bent 59, sound patch [3ft x 1ft]	2	3	Square Feet
12	Cracking (RC and Other)	SPAN 60 BOTTOM OF DECK HAS SCATTERED hairline MAP CRACKING.	1	500	Square Feet
General Comments					

Span 60 Expansion Joint over Bent 59

Standard Joint

Element Number	Element Name	Total Qty	CS1 Qty	CS2 Qty	CS3 Qty	CS4 Qty
301	Pourable Joint Seal	34	30	0	0	4 Feet

Element Number	Defect Type	Defect Description	CS	CS Qty	Maint Qty
301	Seal Adhesion	along joint, loss of seal adhesion [up to 1ft x full depth]	4	4	4 Feet
General Comments					

Span 60 Beam 1

Prestressed Concrete Girder

Element Number	Element Name	Total Qty	CS1 Qty	CS2 Qty	CS3 Qty	CS4 Qty
109	Prestressed Concrete Open Girder/Beam	60	58	2	0	0 Feet

Element Number	Defect Type	Defect Description	CS	CS Qty	Maint Qty
109	Delamination/Spall	underside of bottom flange at far end, two spall/delaminations [6in x 4in x up to 3/4in deep]	2	1	1 Feet

109 Patched Area SPAN 60 BEAM 1 LEFT BOTTOM FLANGE OVER BENT 59. 2 1 Feet
 sound patch [10in x 8in]

General Comments

Span 60 Beam 1 Near Bearing

Fixed Bearing

Element Number	Element Name	Total Qty	CS1 Qty	CS2 Qty	CS3 Qty	CS4 Qty	
313	Fixed Bearing	1	0	1	0	0	Each
515	Steel Protective Coating	2	1	0	1	0	Square Feet

Element Number	Defect Type	Defect Description	CS	CS Qty	Maint Qty	
313	Corrosion	throughout bearing, spot rust	2	1		Each
515	Effectiveness (Steel Protective Coatings)	limited paint effectiveness with spot rust	3	1	1	Square Feet

General Comments

Span 60 Beam 1 Far Bearing

Fixed Bearing

Element Number	Element Name	Total Qty	CS1 Qty	CS2 Qty	CS3 Qty	CS4 Qty	
313	Fixed Bearing	1	0	1	0	0	Each
515	Steel Protective Coating	2	1	0	1	0	Square Feet

Element Number	Defect Type	Defect Description	CS	CS Qty	Maint Qty	
313	Corrosion	painted over pitting [up to 1/8in] with reactivated spot rust	2	1		Each
515	Effectiveness (Steel Protective Coatings)	limited paint effectiveness with spot rust	3	1	1	Square Feet

General Comments

Span 60 Beam 2 Near Bearing

Fixed Bearing

Element Number	Element Name	Total Qty	CS1 Qty	CS2 Qty	CS3 Qty	CS4 Qty	
313	Fixed Bearing	1	0	1	0	0	Each
515	Steel Protective Coating	2	1	1	0	0	Square Feet

Element Number	Defect Type	Defect Description	CS	CS Qty	Maint Qty	
313	Corrosion	throughout bearing, spot rust	2	1		Each
515	Effectiveness (Steel Protective Coatings)	paint failure with spot rust	2	1	1	Square Feet

General Comments

Span 60 Beam 2 Far Bearing

Fixed Bearing

Element Number	Element Name	Total Qty	CS1 Qty	CS2 Qty	CS3 Qty	CS4 Qty	
313	Fixed Bearing	1	0	1	0	0	Each
515	Steel Protective Coating	2	1	0	1	0	Square Feet

Element Number	Defect Type	Defect Description	CS	CS Qty	Maint Qty	
313	Corrosion	painted over pitting [up to 1/8in] with reactivated spot rust	2	1		Each
515	Effectiveness (Steel Protective Coatings)	limited paint effectiveness with spot rust	3	1	1	Square Feet

General Comments

Span 60 Beam 3

Prestressed Concrete Girder

Element Number	Element Name	Total Qty	CS1 Qty	CS2 Qty	CS3 Qty	CS4 Qty	
109	Prestressed Concrete Open Girder/Beam	60	58	1	1	0	Feet

Element Number	Defect Type	Defect Description	CS	CS Qty	Maint Qty	
109	Cracking (PSC)	underside of bottom flange at far end, [2] two delaminations [up to 4in x 5in] with adjacent associated cracking [up to 0.03in]	3	1	1	Feet
109	Patched Area	SPAN 60 BEAM 3 LEFT BOTTOM FLANGE OVER BENT 59. sound patch [10in x 9in]	2	1		Feet

General Comments

Span 60 Beam 3 Near Bearing

Fixed Bearing

Element Number	Element Name	Total Qty	CS1 Qty	CS2 Qty	CS3 Qty	CS4 Qty	
313	Fixed Bearing	1	0	1	0	0	Each
515	Steel Protective Coating	2	1	1	0	0	Square Feet

Element Number	Defect Type	Defect Description	CS	CS Qty	Maint Qty	
313	Corrosion	throughout bearing, spot rust	2	1		Each
515	Effectiveness (Steel Protective Coatings)	paint failure with spot rust	2	1	1	Square Feet

General Comments

Span 60 Beam 3 Far Bearing

Fixed Bearing

Element Number	Element Name	Total Qty	CS1 Qty	CS2 Qty	CS3 Qty	CS4 Qty	
313	Fixed Bearing	1	0	1	0	0	Each
515	Steel Protective Coating	2	1	0	1	0	Square Feet

Element Number	Defect Type	Defect Description	CS	CS Qty	Maint Qty	
313	Corrosion	painted over pitting [up to 1/8in]	2	1		Each
515	Effectiveness (Steel Protective Coatings)	limited paint effectiveness with spot rust	3	1	1	Square Feet

General Comments

Span 60 Beam 4

Prestressed Concrete Girder

Element Number	Element Name	Total Qty	CS1 Qty	CS2 Qty	CS3 Qty	CS4 Qty	
109	Prestressed Concrete Open Girder/Beam	60	59	0	1	0	Feet

Element Number	Defect Type	Defect Description	CS	CS Qty	Maint Qty	
109	Cracking (PSC)	underside of bottom flange at far end, [2] two delaminations [up to 5in x 5in] with adjacent associated cracking [up to 0.03in]	3	1	1	Feet

General Comments

Span 60 Beam 4 Near Bearing

Fixed Bearing

Element Number	Element Name	Total Qty	CS1 Qty	CS2 Qty	CS3 Qty	CS4 Qty	
313	Fixed Bearing	1	0	1	0	0	Each
515	Steel Protective Coating	2	1	0	1	0	Square Feet

Element Number	Defect Type	Defect Description	CS	CS Qty	Maint Qty	
313	Corrosion	throughout bearing, spot rust	2	1		Each
515	Effectiveness (Steel Protective Coatings)	limited paint effectiveness with spot rust	3	1	1	Square Feet

General Comments

Span 60 Beam 4 Far Bearing

Fixed Bearing

Element Number	Element Name	Total Qty	CS1 Qty	CS2 Qty	CS3 Qty	CS4 Qty	
313	Fixed Bearing	1	0	1	0	0	Each
515	Steel Protective Coating	2	1	0	1	0	Square Feet

Element Number	Defect Type	Defect Description	CS	CS Qty	Maint Qty	
313	Corrosion	painted over pitting [up to 1/8in]	2	1		Each
515	Effectiveness (Steel Protective Coatings)	limited paint effectiveness with spot rust	3	1	1	Square Feet

General Comments

Span 61 Deck

Reinforced Concrete Deck

Element Number	Element Name	Total Qty	CS1 Qty	CS2 Qty	CS3 Qty	CS4 Qty	
12	Reinforced Concrete Deck	2,022	2,019	3	0	0	Square Feet

Element Number	Defect Type	Defect Description	CS	CS Qty	Maint Qty	
12	Patched Areas	in left lane at bent 61, sound patch [3ft x 1ft]	2	3		Square Feet
12	Cracking (RC and Other)	SPAN 61 BOTTOM OF DECK HAS SCATTERED MAP CRACKING.	1	300		Square Feet

General Comments

Span 61 Expansion Joint over Bent 60
Standard Joint

Element Number	Element Name	Total Qty	CS1 Qty	CS2 Qty	CS3 Qty	CS4 Qty	
301	Pourable Joint Seal	34	33	0	0	1	Feet

Element Number	Defect Type	Defect Description	CS	CS Qty	Maint Qty	
301	Seal Adhesion	at centerline, loss of seal adhesion [1ft x full depth]	4	1	1	Feet

General Comments

Span 61 Beam 1
Prestressed Concrete Girder

Element Number	Element Name	Total Qty	CS1 Qty	CS2 Qty	CS3 Qty	CS4 Qty	
109	Prestressed Concrete Open Girder/Beam	60	58	2	0	0	Feet

Element Number	Defect Type	Defect Description	CS	CS Qty	Maint Qty	
109	Patched Area	SPAN 61 BEAM 1 LEFT BOTTOM FLANGE OVER BENT 61. sound patch [10in x 11in]	2	1		Feet
109	Patched Area	SPAN 61 BEAM 1 both sides of BOTTOM FLANGE OVER BENT 60. sound patches [up to 13in x up to 7in]	2	1		Feet

General Comments

Span 61 Beam 1 Near Bearing
Fixed Bearing

Element Number	Element Name	Total Qty	CS1 Qty	CS2 Qty	CS3 Qty	CS4 Qty	
313	Fixed Bearing	1	0	1	0	0	Each
515	Steel Protective Coating	2	1	0	1	0	Square Feet

Element Number	Defect Type	Defect Description	CS	CS Qty	Maint Qty	
313	Corrosion	painted over pitting [up to 1/4in], painted over pack rust [up to 1/8in] with reactivated spot rust	2	1		Each
515	Effectiveness (Steel Protective Coatings)	limited paint effectiveness with spot rust	3	1	1	Square Feet

General Comments

Span 61 Beam 1 Far Bearing
Fixed Bearing

Element Number	Element Name	Total Qty	CS1 Qty	CS2 Qty	CS3 Qty	CS4 Qty	
313	Fixed Bearing	1	0	1	0	0	Each
515	Steel Protective Coating	2	1	0	1	0	Square Feet

Element Number	Defect Type	Defect Description	CS	CS Qty	Maint Qty	
313	Corrosion	painted over pitting [up to 1/4in] with reactivated spot rust	2	1		Each
515	Effectiveness (Steel Protective Coatings)	limited paint effectiveness with spot rust	3	1	1	Square Feet

General Comments

Span 61 Beam 2

Prestressed Concrete Girder

Element Number	Element Name	Total Qty	CS1 Qty	CS2 Qty	CS3 Qty	CS4 Qty
109	Prestressed Concrete Open Girder/Beam	60	59	1	0	0 Feet

Element Number	Defect Type	Defect Description	CS	CS Qty	Maint Qty
109	Patched Area	4" LONG X 4" TALL NEW REPAIR TO BOTTOM LEFT FLANGE AT BENT 61	2	1	Feet
109	Cracking (PSC)	SPAN 61 BEAM 2 LEFT BOTTOM FLANGE OVER BENT 61. HAS A CRACKED AND DELAMINATED AREA. AREA IS: 4" x 5" with associated cracks [up to 0.012in] (REPAIRED PRIOR TO 2022 INSPECTION)	1		Feet

General Comments

Span 61 Beam 2 Near Bearing

Fixed Bearing

Element Number	Element Name	Total Qty	CS1 Qty	CS2 Qty	CS3 Qty	CS4 Qty
313	Fixed Bearing	1	0	1	0	0 Each
515	Steel Protective Coating	2	1	0	1	0 Square Feet

Element Number	Defect Type	Defect Description	CS	CS Qty	Maint Qty
313	Corrosion	painted over pitting [up to 1/8in], painted over pack rust [up to 1/8in] with reactivated spot rust	2	1	Each
515	Effectiveness (Steel Protective Coatings)	limited paint effectiveness with spot rust	3	1	1 Square Feet

General Comments

Span 61 Beam 2 Far Bearing

Fixed Bearing

Element Number	Element Name	Total Qty	CS1 Qty	CS2 Qty	CS3 Qty	CS4 Qty
313	Fixed Bearing	1	0	1	0	0 Each
515	Steel Protective Coating	2	1	0	1	0 Square Feet

Element Number	Defect Type	Defect Description	CS	CS Qty	Maint Qty
313	Corrosion	painted over pitting [up to 1/8in] with reactivated spot rust	2	1	Each
515	Effectiveness (Steel Protective Coatings)	limited paint effectiveness with spot rust	3	1	1 Square Feet

General Comments

Span 61 Beam 3

Prestressed Concrete Girder

Element Number	Element Name	Total Qty	CS1 Qty	CS2 Qty	CS3 Qty	CS4 Qty
109	Prestressed Concrete Open Girder/Beam	60	56	3	1	0 Feet

Element Number	Defect Type	Defect Description	CS	CS Qty	Maint Qty
109	Delamination/Spall	SPAN 61 BEAM 3 LEFT BOTTOM FLANGE OVER BENT 60. spall/delamination [7in x 4in x up to 1in deep]	3	1	1 Feet
109	Patched Area	18" LONG X 12" TALL NEW REPAIR TO BOTTOM RIGHT FLANGE AT BENT 61	2	2	Feet

Structure Number: 070007

Inspection Date: 03/03/2022

109	Patched Area	10" LONG X 4" TALL NEW REPAIR TO BOTTOM LEFT FLANGE AT BENT 61	2	1	Feet
109	Delamination/Spall	both faces of bottom flange over bent 61, [2] two spalls/delaminations [up to 19in x 6.5in x 3.5in deep] with [3] three exposed rusted strands [up to 1/16in section loss] (REPAIRED PRIOR TO 2022 INSPECTION)	1		Feet

General Comments

Span 61 Beam 3 Near Bearing

Fixed Bearing

Element Number	Element Name	Total Qty	CS1 Qty	CS2 Qty	CS3 Qty	CS4 Qty	
313	Fixed Bearing	1	0	1	0	0	Each
515	Steel Protective Coating	2	1	0	1	0	Square Feet

Element Number	Defect Type	Defect Description	CS	CS Qty	Maint Qty	
313	Corrosion	painted over pitting [up to 1/4in], painted over pack rust [up to 1/4in] with reactivated spot rust	2	1		Each
515	Effectiveness (Steel Protective Coatings)	limited paint effectiveness with spot rust	3	1	1	Square Feet

General Comments

Span 61 Beam 3 Far Bearing

Fixed Bearing

Element Number	Element Name	Total Qty	CS1 Qty	CS2 Qty	CS3 Qty	CS4 Qty	
313	Fixed Bearing	1	0	1	0	0	Each
515	Steel Protective Coating	2	1	0	1	0	Square Feet

Element Number	Defect Type	Defect Description	CS	CS Qty	Maint Qty	
313	Corrosion	painted over pitting [up to 1/4in] with reactivated spot rust	2	1		Each
515	Effectiveness (Steel Protective Coatings)	limited paint effectiveness with spot rust	3	1	1	Square Feet

General Comments

Span 61 Beam 4 Near Bearing

Fixed Bearing

Element Number	Element Name	Total Qty	CS1 Qty	CS2 Qty	CS3 Qty	CS4 Qty	
313	Fixed Bearing	1	0	1	0	0	Each
515	Steel Protective Coating	2	1	0	1	0	Square Feet

Element Number	Defect Type	Defect Description	CS	CS Qty	Maint Qty	
313	Corrosion	painted over pitting [up to 1/4in], painted over pack rust [up to 1/4in] with reactivated spot rust	2	1		Each
515	Effectiveness (Steel Protective Coatings)	limited paint effectiveness with spot rust	3	1	1	Square Feet

General Comments

Span 61 Beam 4 Far Bearing

Fixed Bearing

Element Number	Element Name	Total Qty	CS1 Qty	CS2 Qty	CS3 Qty	CS4 Qty	
313	Fixed Bearing	1	0	1	0	0	Each
515	Steel Protective Coating	2	1	0	1	0	Square Feet

Element Number	Defect Type	Defect Description	CS	CS Qty	Maint Qty	
313	Corrosion	painted over pitting [up to 1/4in] with reactivated spot rust	2	1		Each
515	Effectiveness (Steel Protective Coatings)	limited paint effectiveness with spot rust	3	1	1	Square Feet

General Comments

Span 62 Deck

Reinforced Concrete Deck

Element Number	Element Name	Total Qty	CS1 Qty	CS2 Qty	CS3 Qty	CS4 Qty	
12	Reinforced Concrete Deck	2,022	1,980	42	0	0	Square Feet

Element Number	Defect Type	Defect Description	CS	CS Qty	Maint Qty	
12	Cracking (RC and Other)	throughout surface, multiple longitudinal cracks and transverse cracks [up to 1/32in x 4ft]	2	25	25	Square Feet
12	Patched Areas	in both lanes at bent 51 and bent 52, multiple sound patches [up to 5ft x 1ft]	2	17		Square Feet
12	Cracking (RC and Other)	SPAN 62 BOTTOM OF DECK HAS SCATTERED hairline MAP CRACKING.	1	700		Square Feet

General Comments

Span 62 Beam 1

Prestressed Concrete Girder

Element Number	Element Name	Total Qty	CS1 Qty	CS2 Qty	CS3 Qty	CS4 Qty	
109	Prestressed Concrete Open Girder/Beam	60	57	3	0	0	Feet

Element Number	Defect Type	Defect Description	CS	CS Qty	Maint Qty	
109	Delamination/Spall	SPAN 62 BEAM 1 RIGHT BOTTOM FLANGE OVER BENT 61. delamination [5in x 6in]	2	1	1	Feet
109	Patched Area	SPAN 62 BEAM 1 LEFT BOTTOM FLANGE OVER BENT 62. sound patch [14in x 23in]	2	2		Feet

General Comments

Span 62 Beam 1 Near Bearing

Fixed Bearing

Element Number	Element Name	Total Qty	CS1 Qty	CS2 Qty	CS3 Qty	CS4 Qty	
313	Fixed Bearing	1	0	1	0	0	Each
515	Steel Protective Coating	2	1	0	1	0	Square Feet

Element Number	Defect Type	Defect Description	CS	CS Qty	Maint Qty	
313	Corrosion	painted over pitting [up to 1/8in] pack rust up to [1/8in] with reactivated spot rust	2	1		Each
515	Effectiveness (Steel Protective Coatings)	limited paint effectiveness with spot rust	3	1	1	Square Feet

General Comments

Span 62 Beam 1 Far Bearing

Fixed Bearing

Element Number	Element Name	Total Qty	CS1 Qty	CS2 Qty	CS3 Qty	CS4 Qty
313	Fixed Bearing	1	0	1	0	0 Each
515	Steel Protective Coating	2	1	0	1	0 Square Feet

Element Number	Defect Type	Defect Description	CS	CS Qty	Maint Qty
313	Corrosion	painted over pitting [up to 1/4in] with reactivated spot rust	2	1	Each
515	Effectiveness (Steel Protective Coatings)	limited paint effectiveness with spot rust	3	1	1 Square Feet

General Comments

Span 62 Beam 2

Prestressed Concrete Girder

Element Number	Element Name	Total Qty	CS1 Qty	CS2 Qty	CS3 Qty	CS4 Qty
109	Prestressed Concrete Open Girder/Beam	60	58	0	2	0 Feet

Element Number	Defect Type	Defect Description	CS	CS Qty	Maint Qty
109	Cracking (PSC)	underside of bottom flange at near end, delamination [6in x 4in] with adjacent associated crack [up to 0.012in]	3	1	1 Feet
109	Delamination/Spall	East bottom flange at far end, spall [4in x up to 7in x up to 1in deep]	3	1	1 Feet

General Comments

Span 62 Beam 2 Near Bearing

Fixed Bearing

Element Number	Element Name	Total Qty	CS1 Qty	CS2 Qty	CS3 Qty	CS4 Qty
313	Fixed Bearing	1	0	1	0	0 Each
515	Steel Protective Coating	2	1	0	1	0 Square Feet

Element Number	Defect Type	Defect Description	CS	CS Qty	Maint Qty
313	Corrosion	painted over pitting [up to 1/4in] pack rust up to [1/4in] with reactivated spot rust	2	1	Each
515	Effectiveness (Steel Protective Coatings)	limited paint effectiveness with spot rust	3	1	1 Square Feet

General Comments

Span 62 Beam 2 Far Bearing

Fixed Bearing

Element Number	Element Name	Total Qty	CS1 Qty	CS2 Qty	CS3 Qty	CS4 Qty
313	Fixed Bearing	1	0	1	0	0 Each
515	Steel Protective Coating	2	1	0	1	0 Square Feet

Element Number	Defect Type	Defect Description	CS	CS Qty	Maint Qty
313	Corrosion	painted over pitting [up to 1/8in] with reactivated spot rust	2	1	Each

515	Effectiveness (Steel Protective Coatings)	limited paint effectiveness with spot rust	3	1	1	Square Feet
General Comments						

Span 62 Beam 3 Near Bearing

Fixed Bearing

Element Number	Element Name	Total Qty	CS1 Qty	CS2 Qty	CS3 Qty	CS4 Qty
313	Fixed Bearing	1	0	1	0	0 Each
515	Steel Protective Coating	2	1	0	1	0 Square Feet

Element Number	Defect Type	Defect Description	CS	CS Qty	Maint Qty
313	Corrosion	throughout bearing, spot rust	2	1	Each
515	Effectiveness (Steel Protective Coatings)	limited paint effectiveness with spot rust	3	1	1 Square Feet
General Comments					

Span 62 Beam 3 Far Bearing

Fixed Bearing

Element Number	Element Name	Total Qty	CS1 Qty	CS2 Qty	CS3 Qty	CS4 Qty
313	Fixed Bearing	1	0	1	0	0 Each
515	Steel Protective Coating	2	1	0	1	0 Square Feet

Element Number	Defect Type	Defect Description	CS	CS Qty	Maint Qty
313	Corrosion	throughout bearing, spot rust	2	1	Each
515	Effectiveness (Steel Protective Coatings)	limited paint effectiveness with spot rust	3	1	1 Square Feet
General Comments					

Span 62 Beam 4 Near Bearing

Fixed Bearing

Element Number	Element Name	Total Qty	CS1 Qty	CS2 Qty	CS3 Qty	CS4 Qty
313	Fixed Bearing	1	0	1	0	0 Each
515	Steel Protective Coating	2	1	0	1	0 Square Feet

Element Number	Defect Type	Defect Description	CS	CS Qty	Maint Qty
313	Corrosion	painted over pitting [up to 1/4in] pack rust up to [1/4in] with reactivated spot rust	2	1	Each
515	Effectiveness (Steel Protective Coatings)	limited paint effectiveness with spot rust	3	1	1 Square Feet
General Comments					

Span 62 Beam 4 Far Bearing

Fixed Bearing

Element Number	Element Name	Total Qty	CS1 Qty	CS2 Qty	CS3 Qty	CS4 Qty	
313	Fixed Bearing	1	0	1	0	0	Each
515	Steel Protective Coating	2	1	0	1	0	Square Feet

Element Number	Defect Type	Defect Description	CS	CS Qty	Maint Qty	
313	Corrosion	painted over pitting [up to 1/8in] with reactivated spot rust	2	1		Each
515	Effectiveness (Steel Protective Coatings)	limited paint effectiveness with spot rust	3	1	1	Square Feet

General Comments

Span 63 Deck

Reinforced Concrete Deck

Element Number	Element Name	Total Qty	CS1 Qty	CS2 Qty	CS3 Qty	CS4 Qty	
12	Reinforced Concrete Deck	2,022	2,006	16	0	0	Square Feet

Element Number	Defect Type	Defect Description	CS	CS Qty	Maint Qty	
12	Patched Areas	in both lanes at bent 62 and bent 63, multiple sound patches [up to 4ft x 1ft]	2	16		Square Feet
12	Cracking (RC and Other)	SPAN 63 BOTTOM OF DECK HAS SCATTERED hairline MAP CRACKING.	1	600		Square Feet

General Comments

Span 63 Expansion Joint over Bent 62

Standard Joint

Element Number	Element Name	Total Qty	CS1 Qty	CS2 Qty	CS3 Qty	CS4 Qty	
301	Pourable Joint Seal	34	28	0	0	6	Feet

Element Number	Defect Type	Defect Description	CS	CS Qty	Maint Qty	
301	Seal Adhesion	along joint, loss of seal adhesion [up to 1ft x full depth]	4	6	6	Feet

General Comments

Span 63 Beam 1 Near Bearing

Fixed Bearing

Element Number	Element Name	Total Qty	CS1 Qty	CS2 Qty	CS3 Qty	CS4 Qty	
313	Fixed Bearing	1	0	1	0	0	Each
515	Steel Protective Coating	2	1	0	1	0	Square Feet

Element Number	Defect Type	Defect Description	CS	CS Qty	Maint Qty	
313	Corrosion	painted over pitting [up to 1/8in] with reactivated spot rust	2	1		Each
515	Effectiveness (Steel Protective Coatings)	limited paint effectiveness with spot rust	3	1	1	Square Feet

General Comments

Span 63 Beam 1 Far Bearing

Fixed Bearing

Element Number	Element Name	Total Qty	CS1 Qty	CS2 Qty	CS3 Qty	CS4 Qty	
313	Fixed Bearing	1	0	1	0	0	Each
515	Steel Protective Coating	2	1	0	1	0	Square Feet

Element Number	Defect Type	Defect Description	CS	CS Qty	Maint Qty	
313	Corrosion	throughout bearing, spot rust	2	1		Each
515	Effectiveness (Steel Protective Coatings)	limited paint effectiveness with spot rust	3	1	1	Square Feet

General Comments

Span 63 Beam 2

Prestressed Concrete Girder

Element Number	Element Name	Total Qty	CS1 Qty	CS2 Qty	CS3 Qty	CS4 Qty	
109	Prestressed Concrete Open Girder/Beam	60	59	0	1	0	Feet

Element Number	Defect Type	Defect Description	CS	CS Qty	Maint Qty	
109	Cracking (PSC)	underside of bottom flange at far end, delamination [9in x up to 5in] with adjacent associated crack [up to 0.05in]	3	1	1	Feet

General Comments

Span 63 Beam 2 Near Bearing

Fixed Bearing

Element Number	Element Name	Total Qty	CS1 Qty	CS2 Qty	CS3 Qty	CS4 Qty	
313	Fixed Bearing	1	0	1	0	0	Each
515	Steel Protective Coating	2	1	0	1	0	Square Feet

Element Number	Defect Type	Defect Description	CS	CS Qty	Maint Qty	
313	Corrosion	painted over pitting [up to 1/8in] with reactivated spot rust	2	1		Each
515	Effectiveness (Steel Protective Coatings)	limited paint effectiveness with spot rust	3	1	1	Square Feet

General Comments

Span 63 Beam 2 Far Bearing

Fixed Bearing

Element Number	Element Name	Total Qty	CS1 Qty	CS2 Qty	CS3 Qty	CS4 Qty	
313	Fixed Bearing	1	0	1	0	0	Each
515	Steel Protective Coating	2	1	0	1	0	Square Feet

Element Number	Defect Type	Defect Description	CS	CS Qty	Maint Qty	
313	Corrosion	throughout bearing, spot rust	2	1		Each
515	Effectiveness (Steel Protective Coatings)	limited paint effectiveness with spot rust	3	1	1	Square Feet

General Comments

Span 63 Beam 3

Prestressed Concrete Girder

Element Number	Element Name	Total Qty	CS1 Qty	CS2 Qty	CS3 Qty	CS4 Qty
109	Prestressed Concrete Open Girder/Beam	60	59	1	0	0 Feet

Element Number	Defect Type	Defect Description	CS	CS Qty	Maint Qty
109	Delamination/Spall	underside of bottom flange at far end, spall [3in x 2in x up to 1/2in deep] with [1] one exposed stirrup [no section loss noted]	2	1	1 Feet

General Comments

Span 63 Beam 3 Near Bearing

Fixed Bearing

Element Number	Element Name	Total Qty	CS1 Qty	CS2 Qty	CS3 Qty	CS4 Qty
313	Fixed Bearing	1	0	1	0	0 Each
515	Steel Protective Coating	2	1	0	1	0 Square Feet

Element Number	Defect Type	Defect Description	CS	CS Qty	Maint Qty
313	Corrosion	painted over pitting [up to 1/8in] with reactivated spot rust	2	1	Each
515	Effectiveness (Steel Protective Coatings)	limited paint effectiveness with spot rust	3	1	1 Square Feet

General Comments

Span 63 Beam 3 Far Bearing

Fixed Bearing

Element Number	Element Name	Total Qty	CS1 Qty	CS2 Qty	CS3 Qty	CS4 Qty
313	Fixed Bearing	1	0	1	0	0 Each
515	Steel Protective Coating	2	1	0	1	0 Square Feet

Element Number	Defect Type	Defect Description	CS	CS Qty	Maint Qty
313	Corrosion	painted over pitting [up to 1/8in] with reactivated spot rust	2	1	Each
515	Effectiveness (Steel Protective Coatings)	limited paint effectiveness with spot rust	3	1	1 Square Feet

General Comments

Span 63 Beam 4

Prestressed Concrete Girder

Element Number	Element Name	Total Qty	CS1 Qty	CS2 Qty	CS3 Qty	CS4 Qty
109	Prestressed Concrete Open Girder/Beam	60	59	0	1	0 Feet

Element Number	Defect Type	Defect Description	CS	CS Qty	Maint Qty
109	Cracking (PSC)	underside of bottom flange at far end, delamination [6in x 5in] with adjacent associated cracking [up to 0.03in]	3	1	1 Feet

General Comments

Span 63 Beam 4 Near Bearing

Fixed Bearing

Element Number	Element Name	Total Qty	CS1 Qty	CS2 Qty	CS3 Qty	CS4 Qty	
313	Fixed Bearing	1	0	1	0	0	Each
515	Steel Protective Coating	2	1	0	1	0	Square Feet

Element Number	Defect Type	Defect Description	CS	CS Qty	Maint Qty	
313	Corrosion	painted over pitting [up to 1/8in] with reactivated spot rust	2	1		Each
515	Effectiveness (Steel Protective Coatings)	limited paint effectiveness with spot rust	3	1	1	Square Feet

General Comments

Span 63 Beam 4 Far Bearing

Fixed Bearing

Element Number	Element Name	Total Qty	CS1 Qty	CS2 Qty	CS3 Qty	CS4 Qty	
313	Fixed Bearing	1	0	1	0	0	Each
515	Steel Protective Coating	2	1	0	1	0	Square Feet

Element Number	Defect Type	Defect Description	CS	CS Qty	Maint Qty	
313	Corrosion	painted over pitting [up to 1/4in] with reactivated spot rust	2	1		Each
515	Effectiveness (Steel Protective Coatings)	limited paint effectiveness with spot rust	3	1	1	Square Feet

General Comments

Span 64 Deck

Reinforced Concrete Deck

Element Number	Element Name	Total Qty	CS1 Qty	CS2 Qty	CS3 Qty	CS4 Qty	
12	Reinforced Concrete Deck	2,022	1,977	44	1	0	Square Feet

Element Number	Defect Type	Defect Description	CS	CS Qty	Maint Qty	
12	Exposed Rebar	underside of right overhang at bent 64, spall [6in x 5in x 1/2in deep] with exposed rusted reinforcing [up to 1/16in section loss]	3	1	1	Square Feet
12	Cracking (RC and Other)	throughout surface, multiple longitudinal cracks and transverse cracks [up to 1/32in x 6ft]	2	24	24	Square Feet
12	Patched Areas	in both lanes at bent 63 and bent 64, multiple sound patches [up to 12ft x 1ft]	2	20		Square Feet
12	Cracking (RC and Other)	SPAN 64 BOTTOM OF DECK HAS SCATTERED hairline MAP CRACKING.	1	700		Square Feet

General Comments

Span 64 Beam 1

Prestressed Concrete Girder

Element Number	Element Name	Total Qty	CS1 Qty	CS2 Qty	CS3 Qty	CS4 Qty	
109	Prestressed Concrete Open Girder/Beam	60	59	0	1	0	Feet

Element Number	Defect Type	Defect Description	CS	CS Qty	Maint Qty	
109	Cracking (PSC)	underside of bottom flange at far end, delamination [6in x 5in] with adjacent associated cracking [up to 0.03in]	3	1	1	Feet

General Comments

Span 64 Beam 1 Near Bearing

Fixed Bearing

Element Number	Element Name	Total Qty	CS1 Qty	CS2 Qty	CS3 Qty	CS4 Qty	
313	Fixed Bearing	1	0	1	0	0	Each
515	Steel Protective Coating	2	1	0	1	0	Square Feet

Element Number	Defect Type	Defect Description	CS	CS Qty	Maint Qty	
313	Corrosion	painted over pitting [up to 1/8in], pack rust [up to 1/8in] with reactivated spot rust	2	1		Each
515	Effectiveness (Steel Protective Coatings)	limited paint effectiveness with spot rust	3	1	1	Square Feet

General Comments

Span 64 Beam 1 Far Bearing

Fixed Bearing

Element Number	Element Name	Total Qty	CS1 Qty	CS2 Qty	CS3 Qty	CS4 Qty	
313	Fixed Bearing	1	0	1	0	0	Each
515	Steel Protective Coating	2	1	0	1	0	Square Feet

Element Number	Defect Type	Defect Description	CS	CS Qty	Maint Qty	
313	Corrosion	pitting up to 1/8in with reactivated spot rust	2	1		Each
515	Effectiveness (Steel Protective Coatings)	limited paint effectiveness with spot rust	3	1	1	Square Feet

General Comments

Span 64 Beam 2 Near Bearing

Fixed Bearing

Element Number	Element Name	Total Qty	CS1 Qty	CS2 Qty	CS3 Qty	CS4 Qty	
313	Fixed Bearing	1	0	1	0	0	Each
515	Steel Protective Coating	2	1	0	1	0	Square Feet

Element Number	Defect Type	Defect Description	CS	CS Qty	Maint Qty	
313	Corrosion	painted over pitting [up to 1/8in], pack rust [up to 1/8in] with reactivated spot rust	2	1		Each
515	Effectiveness (Steel Protective Coatings)	limited paint effectiveness with spot rust	3	1	1	Square Feet

General Comments

Span 64 Beam 2 Far Bearing

Fixed Bearing

Element Number	Element Name	Total Qty	CS1 Qty	CS2 Qty	CS3 Qty	CS4 Qty	
313	Fixed Bearing	1	0	1	0	0	Each
515	Steel Protective Coating	2	1	0	1	0	Square Feet

Element Number	Defect Type	Defect Description	CS	CS Qty	Maint Qty	
----------------	-------------	--------------------	----	--------	-----------	--

Structure Number: 070007

Inspection Date: 03/03/2022

313	Corrosion	throughout bearing, spot rust	2	1	Each
515	Effectiveness (Steel Protective Coatings)	limited paint effectiveness with spot rust	3	1	1 Square Feet

General Comments

Span 64 Beam 3

Prestressed Concrete Girder

Element Number	Element Name	Total Qty	CS1 Qty	CS2 Qty	CS3 Qty	CS4 Qty	
109	Prestressed Concrete Open Girder/Beam	60	59	0	1	0	Feet

Element Number	Defect Type	Defect Description	CS	CS Qty	Maint Qty	
109	Delamination/Spall	SPAN 64 BEAM 3 RIGHT BOTTOM FLANGE OVER BENT 63. HAS A SPALL AND DELAMINATED AREA WITH 1 CABLE VISIBLE. AREA IS: 4" x 6" x 2" DEEP. [no section loss noted]	3	1	1	Feet
109	Delamination/Spall	SPAN 64 BEAM 3 LEFT BOTTOM FLANGE OVER BENT 63. HAS A SPALL AND DELAMINATED AREA WITH 1 CABLE VISIBLE. AREA IS: 6" x 6" x 2" DEEP. [no section loss noted]	3		1	Feet

General Comments

Span 64 Beam 3 Near Bearing

Fixed Bearing

Element Number	Element Name	Total Qty	CS1 Qty	CS2 Qty	CS3 Qty	CS4 Qty	
313	Fixed Bearing	1	0	1	0	0	Each
515	Steel Protective Coating	2	1	1	0	0	Square Feet

Element Number	Defect Type	Defect Description	CS	CS Qty	Maint Qty	
313	Corrosion	painted over pitting [up to 1/8in], pack rust [up to 1/8in] with reactivated spot rust	2	1		Each
515	Effectiveness (Steel Protective Coatings)	limited paint effectiveness with spot rust	2	1	1	Square Feet

General Comments

Span 64 Beam 3 Far Bearing

Fixed Bearing

Element Number	Element Name	Total Qty	CS1 Qty	CS2 Qty	CS3 Qty	CS4 Qty	
313	Fixed Bearing	1	0	1	0	0	Each
515	Steel Protective Coating	2	1	0	1	0	Square Feet

Element Number	Defect Type	Defect Description	CS	CS Qty	Maint Qty	
313	Corrosion	throughout bearing, spot rust	2	1		Each
515	Effectiveness (Steel Protective Coatings)	limited paint effectiveness with spot rust	3	1	1	Square Feet

General Comments

Span 64 Beam 4 Near Bearing

Fixed Bearing

Element Number	Element Name	Total Qty	CS1 Qty	CS2 Qty	CS3 Qty	CS4 Qty	
313	Fixed Bearing	1	0	1	0	0	Each
515	Steel Protective Coating	2	1	0	1	0	Square Feet

Element Number	Defect Type	Defect Description	CS	CS Qty	Maint Qty	
313	Corrosion	painted over pitting [up to 1/8in], pack rust [up to 1/8in] with reactivated spot rust	2	1		Each
515	Effectiveness (Steel Protective Coatings)	limited paint effectiveness with spot rust	3	1	1	Square Feet

General Comments

Span 64 Beam 4 Far Bearing

Fixed Bearing

Element Number	Element Name	Total Qty	CS1 Qty	CS2 Qty	CS3 Qty	CS4 Qty	
313	Fixed Bearing	1	0	1	0	0	Each
515	Steel Protective Coating	2	1	0	1	0	Square Feet

Element Number	Defect Type	Defect Description	CS	CS Qty	Maint Qty	
313	Corrosion	throughout bearing, spot rust	2	1		Each
515	Effectiveness (Steel Protective Coatings)	limited paint effectiveness with spot rust	3	1	1	Square Feet

General Comments

Span 65 Deck

Reinforced Concrete Deck

Element Number	Element Name	Total Qty	CS1 Qty	CS2 Qty	CS3 Qty	CS4 Qty	
12	Reinforced Concrete Deck	2,022	2,009	13	0	0	Square Feet

Element Number	Defect Type	Defect Description	CS	CS Qty	Maint Qty	
12	Cracking (RC and Other)	deck surface at bent 65, multiple longitudinal cracks [up to 1/32in x 1ft]	2	10	10	Square Feet
12	Patched Areas	in right lane at bent 64, sound patch [3ft x 1ft]	2	3		Square Feet
12	Cracking (RC and Other)	SPAN 65 BOTTOM OF DECK HAS SCATTERED hairline MAP CRACKING.	1	600		Square Feet

General Comments

Span 65 Beam 1 Near Bearing

Fixed Bearing

Element Number	Element Name	Total Qty	CS1 Qty	CS2 Qty	CS3 Qty	CS4 Qty	
313	Fixed Bearing	1	0	1	0	0	Each
515	Steel Protective Coating	2	1	0	1	0	Square Feet

Element Number	Defect Type	Defect Description	CS	CS Qty	Maint Qty	
313	Corrosion	painted over pitting [up to 1/4in], painted over pack rust [up to 1/8in] with reactivated spot rust	2	1		Each

515	Effectiveness (Steel Protective Coatings)	limited paint effectiveness with spot rust	3	1	1	Square Feet
General Comments						

Span 65 **Beam 1 Far Bearing**
Fixed Bearing

Element Number	Element Name	Total Qty	CS1 Qty	CS2 Qty	CS3 Qty	CS4 Qty
313	Fixed Bearing	1	0	1	0	0 Each
515	Steel Protective Coating	2	1	0	1	0 Square Feet
Element Number	Defect Type	Defect Description	CS	CS Qty	Maint Qty	
313	Corrosion	painted over pitting [up to 1/8in] with reactivated spot rust	2	1		Each
515	Effectiveness (Steel Protective Coatings)	limited paint effectiveness with spot rust	3	1		1 Square Feet
General Comments						

Span 65 **Beam 2 Near Bearing**
Fixed Bearing

Element Number	Element Name	Total Qty	CS1 Qty	CS2 Qty	CS3 Qty	CS4 Qty
313	Fixed Bearing	1	0	1	0	0 Each
515	Steel Protective Coating	2	1	0	1	0 Square Feet
Element Number	Defect Type	Defect Description	CS	CS Qty	Maint Qty	
313	Corrosion	painted over pitting [up to 1/8in], painted over pack rust [up to 1/8in] with reactivated spot rust	2	1		Each
515	Effectiveness (Steel Protective Coatings)	limited paint effectiveness with spot rust	3	1		1 Square Feet
General Comments						

Span 65 **Beam 2 Far Bearing**
Fixed Bearing

Element Number	Element Name	Total Qty	CS1 Qty	CS2 Qty	CS3 Qty	CS4 Qty
313	Fixed Bearing	1	0	1	0	0 Each
515	Steel Protective Coating	2	1	0	1	0 Square Feet
Element Number	Defect Type	Defect Description	CS	CS Qty	Maint Qty	
313	Corrosion	throughout bearing, spot rust	2	1		Each
515	Effectiveness (Steel Protective Coatings)	limited paint effectiveness with spot rust	3	1		1 Square Feet
General Comments						

Span 65 **Beam 3**
Prestressed Concrete Girder

Element Number	Element Name	Total Qty	CS1 Qty	CS2 Qty	CS3 Qty	CS4 Qty
109	Prestressed Concrete Open Girder/Beam	60	58	1	1	0 Feet
Element Number	Defect Type	Defect Description	CS	CS Qty	Maint Qty	

Structure Number: 070007

Inspection Date: 03/03/2022

109	Delamination/Spall	SPAN 65 BEAM 3 LEFT BOTTOM FLANGE OVER BENT 64. HAS A SPALLED AREA. AREA IS: 2" x 6" x 3" DEEP.	3	1	1 Feet
109	Delamination/Spall	East face of bottom flange at far end, delamination [3in x 3in]	2	1	1 Feet

General Comments

Span 65 Beam 3 Near Bearing

Fixed Bearing

Element Number	Element Name	Total Qty	CS1 Qty	CS2 Qty	CS3 Qty	CS4 Qty	
313	Fixed Bearing	1	0	1	0	0	Each
515	Steel Protective Coating	2	1	0	1	0	Square Feet

Element Number	Defect Type	Defect Description	CS	CS Qty	Maint Qty	
313	Corrosion	painted over pitting [up to 1/8in], painted over pack rust [up to 1/8in] with reactivated spot rust	2	1		Each
515	Effectiveness (Steel Protective Coatings)	limited paint effectiveness with spot rust	3	1	1	Square Feet

General Comments

Span 65 Beam 3 Far Bearing

Fixed Bearing

Element Number	Element Name	Total Qty	CS1 Qty	CS2 Qty	CS3 Qty	CS4 Qty	
313	Fixed Bearing	1	0	1	0	0	Each
515	Steel Protective Coating	2	1	0	1	0	Square Feet

Element Number	Defect Type	Defect Description	CS	CS Qty	Maint Qty	
313	Corrosion	throughout bearing, spot rust	2	1		Each
515	Effectiveness (Steel Protective Coatings)	limited paint effectiveness with spot rust	3	1	1	Square Feet

General Comments

Span 65 Beam 4 Near Bearing

Fixed Bearing

Element Number	Element Name	Total Qty	CS1 Qty	CS2 Qty	CS3 Qty	CS4 Qty	
313	Fixed Bearing	1	0	1	0	0	Each
515	Steel Protective Coating	2	1	0	1	0	Square Feet

Element Number	Defect Type	Defect Description	CS	CS Qty	Maint Qty	
313	Corrosion	painted over pitting [up to 1/4in], painted over pack rust [up to 1/8in] with reactivated spot rust	2	1		Each
515	Effectiveness (Steel Protective Coatings)	limited paint effectiveness with spot rust	3	1	1	Square Feet

General Comments

Span 65 Beam 4 Far Bearing

Fixed Bearing

Element Number	Element Name	Total Qty	CS1 Qty	CS2 Qty	CS3 Qty	CS4 Qty	
313	Fixed Bearing	1	0	1	0	0	Each
515	Steel Protective Coating	2	1	0	1	0	Square Feet

Element Number	Defect Type	Defect Description	CS	CS Qty	Maint Qty	
313	Corrosion	painted over pitting [up to 1/4in] with reactivated spot rust	2	1		Each
515	Effectiveness (Steel Protective Coatings)	limited paint effectiveness with spot rust	3	1	1	Square Feet

General Comments

Span 66 Deck

Reinforced Concrete Deck

Element Number	Element Name	Total Qty	CS1 Qty	CS2 Qty	CS3 Qty	CS4 Qty	
12	Reinforced Concrete Deck	2,022	1,998	24	0	0	Square Feet

Element Number	Defect Type	Defect Description	CS	CS Qty	Maint Qty	
12	Cracking (RC and Other)	in left lane at bent 66, multiple longitudinal cracks [up to 1/32in x 8ft]	2	24	24	Square Feet
12	Cracking (RC and Other)	SPAN 66 BOTTOM OF DECK HAS SCATTERED hairline MAP CRACKING.	1	200		Square Feet

General Comments

Span 66 Beam 1

Prestressed Concrete Girder

Element Number	Element Name	Total Qty	CS1 Qty	CS2 Qty	CS3 Qty	CS4 Qty	
109	Prestressed Concrete Open Girder/Beam	60	59	1	0	0	Feet

Element Number	Defect Type	Defect Description	CS	CS Qty	Maint Qty	
109	Patched Area	SPAN 66 BEAM 1 RIGHT BOTTOM FLANGE OVER BENT 65. sound patch [10in x 5in]	2	1		Feet

General Comments

Span 66 Beam 1 Near Bearing

Fixed Bearing

Element Number	Element Name	Total Qty	CS1 Qty	CS2 Qty	CS3 Qty	CS4 Qty	
313	Fixed Bearing	1	0	1	0	0	Each
515	Steel Protective Coating	2	1	0	1	0	Square Feet

Element Number	Defect Type	Defect Description	CS	CS Qty	Maint Qty	
313	Corrosion	painted over pitting [up to 1/4in] and pack rust [up to 1/4in] with reactivated spot rust	2	1		Each
515	Effectiveness (Steel Protective Coatings)	limited paint effectiveness with spot rust	3	1	1	Square Feet

General Comments

Span 66 Beam 1 Far Bearing

Fixed Bearing

Element Number	Element Name	Total Qty	CS1 Qty	CS2 Qty	CS3 Qty	CS4 Qty	
313	Fixed Bearing	1	0	1	0	0	Each
515	Steel Protective Coating	2	1	0	1	0	Square Feet

Element Number	Defect Type	Defect Description	CS	CS Qty	Maint Qty	
313	Corrosion	painted over pitting [up to 1/4in] with reactivated spot rust	2	1		Each
515	Effectiveness (Steel Protective Coatings)	limited paint effectiveness with spot rust	3	1	1	Square Feet

General Comments

Span 66 Beam 2 Near Bearing

Fixed Bearing

Element Number	Element Name	Total Qty	CS1 Qty	CS2 Qty	CS3 Qty	CS4 Qty	
313	Fixed Bearing	1	0	1	0	0	Each
515	Steel Protective Coating	2	1	0	1	0	Square Feet

Element Number	Defect Type	Defect Description	CS	CS Qty	Maint Qty	
313	Corrosion	painted over pitting [up to 1/8in] and pack rust [up to 1/8in] with reactivated spot rust	2	1		Each
515	Effectiveness (Steel Protective Coatings)	limited paint effectiveness with spot rust	3	1	1	Square Feet

General Comments

Span 66 Beam 2 Far Bearing

Fixed Bearing

Element Number	Element Name	Total Qty	CS1 Qty	CS2 Qty	CS3 Qty	CS4 Qty	
313	Fixed Bearing	1	0	1	0	0	Each
515	Steel Protective Coating	2	1	0	1	0	Square Feet

Element Number	Defect Type	Defect Description	CS	CS Qty	Maint Qty	
313	Corrosion	painted over pitting [up to 1/8in] with reactivated spot rust	2	1		Each
515	Effectiveness (Steel Protective Coatings)	limited paint effectiveness with spot rust	3	1	1	Square Feet

General Comments

Span 66 Beam 3

Prestressed Concrete Girder

Element Number	Element Name	Total Qty	CS1 Qty	CS2 Qty	CS3 Qty	CS4 Qty	
109	Prestressed Concrete Open Girder/Beam	60	59	1	0	0	Feet

Element Number	Defect Type	Defect Description	CS	CS Qty	Maint Qty	
109	Patched Area	SPAN 66 END OF BEAM 3 OVER BENT 65. sound patch [3in x 7in]	2	1		Feet

General Comments

Span 66 Beam 3 Near Bearing

Fixed Bearing

Element Number	Element Name	Total Qty	CS1 Qty	CS2 Qty	CS3 Qty	CS4 Qty	
313	Fixed Bearing	1	0	1	0	0	Each
515	Steel Protective Coating	2	1	0	1	0	Square Feet

Element Number	Defect Type	Defect Description	CS	CS Qty	Maint Qty	
313	Corrosion	painted over pitting [up to 1/8in] and pack rust [up to 1/8in] with reactivated spot rust	2	1		Each
515	Effectiveness (Steel Protective Coatings)	limited paint effectiveness with spot rust	3	1	1	Square Feet

General Comments

Span 66 Beam 3 Far Bearing

Fixed Bearing

Element Number	Element Name	Total Qty	CS1 Qty	CS2 Qty	CS3 Qty	CS4 Qty	
313	Fixed Bearing	1	0	1	0	0	Each
515	Steel Protective Coating	2	1	0	1	0	Square Feet

Element Number	Defect Type	Defect Description	CS	CS Qty	Maint Qty	
313	Corrosion	painted over pitting [up to 1/8in] with reactivated spot rust	2	1		Each
515	Effectiveness (Steel Protective Coatings)	limited paint effectiveness with spot rust	3	1	1	Square Feet

General Comments

Span 66 Beam 4

Prestressed Concrete Girder

Element Number	Element Name	Total Qty	CS1 Qty	CS2 Qty	CS3 Qty	CS4 Qty	
109	Prestressed Concrete Open Girder/Beam	60	57	3	0	0	Feet

Element Number	Defect Type	Defect Description	CS	CS Qty	Maint Qty	
109	Patched Area	SPAN 66 BEAM 4 RIGHT BOTTOM FLANGE OVER BENT 65. sound patch [8in x 8in]	2	1		Feet
109	Patched Area	2 - 10" LONG X 6" WIDE NEW PATCHED AREAS ON UNDERSIDE OF BOTTOM FLANGE AT 23' FROM BENT 66	2	2		Feet
109	Delamination/Spall	underside of bottom flange at 23ft from bent 66, spall [11in x 7in x 1/2in deep] with [2] two exposed rusted strands [up to 1/16in section loss] (REPAIRED PRIOR TO 2022 INSPECTION)	1			Feet

General Comments

Span 66 Beam 4 Near Bearing

Fixed Bearing

Element Number	Element Name	Total Qty	CS1 Qty	CS2 Qty	CS3 Qty	CS4 Qty	
313	Fixed Bearing	1	0	1	0	0	Each
515	Steel Protective Coating	2	1	0	1	0	Square Feet

Element Number	Defect Type	Defect Description	CS	CS Qty	Maint Qty	
----------------	-------------	--------------------	----	--------	-----------	--

Structure Number: 070007

Inspection Date: 03/03/2022

313	Corrosion	painted over pitting [up to 1/4in] and pack rust [up to 1/4in] with reactivated spot rust	2	1	Each
515	Effectiveness (Steel Protective Coatings)	limited paint effectiveness with spot rust	3	1	1 Square Feet

General Comments

Span 66 Beam 4 Far Bearing

Fixed Bearing

Element Number	Element Name	Total Qty	CS1 Qty	CS2 Qty	CS3 Qty	CS4 Qty
313	Fixed Bearing	1	0	1	0	0 Each
515	Steel Protective Coating	2	1	0	1	0 Square Feet

Element Number	Defect Type	Defect Description	CS	CS Qty	Maint Qty
313	Corrosion	painted over pitting [up to 1/4in] with reactivated spot rust	2	1	Each
515	Effectiveness (Steel Protective Coatings)	limited paint effectiveness with spot rust	3	1	1 Square Feet

General Comments

Span 67 Beam 1 Near Bearing

Fixed Bearing

Element Number	Element Name	Total Qty	CS1 Qty	CS2 Qty	CS3 Qty	CS4 Qty
313	Fixed Bearing	1	0	1	0	0 Each
515	Steel Protective Coating	2	1	0	1	0 Square Feet

Element Number	Defect Type	Defect Description	CS	CS Qty	Maint Qty
313	Corrosion	painted over pitting [up to 1/4in], painted over pack rust [up to 1/4in] with reactivated spot rust	2	1	Each
515	Effectiveness (Steel Protective Coatings)	limited paint effectiveness with spot rust	3	1	1 Square Feet

General Comments

Span 67 Beam 1 Far Bearing

Fixed Bearing

Element Number	Element Name	Total Qty	CS1 Qty	CS2 Qty	CS3 Qty	CS4 Qty
313	Fixed Bearing	1	0	1	0	0 Each
515	Steel Protective Coating	2	1	0	1	0 Square Feet

Element Number	Defect Type	Defect Description	CS	CS Qty	Maint Qty
313	Corrosion	throughout bearing, spot rust	2	1	Each
515	Effectiveness (Steel Protective Coatings)	limited paint effectiveness with spot rust	3	1	1 Square Feet

General Comments

Span 67 Beam 2

Prestressed Concrete Girder

Element Number	Element Name	Total Qty	CS1 Qty	CS2 Qty	CS3 Qty	CS4 Qty
109	Prestressed Concrete Open Girder/Beam	60	59	1	0	0 Feet

Element Number	Defect Type	Defect Description	CS	CS Qty	Maint Qty
109	Patched Area	SPAN 67 BEAM 2 RIGHT BOTTOM FLANGE AND END OF BEAM OVER BENT 67. sound patch [9in x 8in]	2	1	Feet

General Comments

Span 67 Beam 2 Near Bearing

Fixed Bearing

Element Number	Element Name	Total Qty	CS1 Qty	CS2 Qty	CS3 Qty	CS4 Qty
313	Fixed Bearing	1	0	1	0	0 Each
515	Steel Protective Coating	2	1	0	1	0 Square Feet

Element Number	Defect Type	Defect Description	CS	CS Qty	Maint Qty
313	Corrosion	painted over pitting [up to 1/4in], painted over pack rust [up to 1/4in] with reactivated spot rust	2	1	Each
515	Effectiveness (Steel Protective Coatings)	limited paint effectiveness with spot rust	3	1	1 Square Feet

General Comments

Span 67 Beam 2 Far Bearing

Fixed Bearing

Element Number	Element Name	Total Qty	CS1 Qty	CS2 Qty	CS3 Qty	CS4 Qty
313	Fixed Bearing	1	0	1	0	0 Each
515	Steel Protective Coating	2	1	0	1	0 Square Feet

Element Number	Defect Type	Defect Description	CS	CS Qty	Maint Qty
313	Corrosion	throughout bearing, spot rust	2	1	Each
515	Effectiveness (Steel Protective Coatings)	limited paint effectiveness with spot rust	3	1	1 Square Feet

General Comments

Span 67 Beam 3

Prestressed Concrete Girder

Element Number	Element Name	Total Qty	CS1 Qty	CS2 Qty	CS3 Qty	CS4 Qty
109	Prestressed Concrete Open Girder/Beam	60	58	1	1	0 Feet

Element Number	Defect Type	Defect Description	CS	CS Qty	Maint Qty
109	Delamination/Spall	SPAN 67 BEAM 3 LEFT BOTTOM FLANGE OVER BENT 67. spall [4in x 7in x up to 1in deep]	3	1	1 Feet
109	Patched Area	SPAN 67 BEAM 3 RIGHT BOTTOM FLANGE OVER BENT 67. sound patch [9in x 6in]	2		Feet
109	Patched Area	SPAN 67 BEAM 3 LEFT BOTTOM FLANGE OVER BENT 66. sound patch [8in x 6in]	2	1	Feet

General Comments

Span 67 **Beam 3 Near Bearing****Fixed Bearing**

Element Number	Element Name	Total Qty	CS1 Qty	CS2 Qty	CS3 Qty	CS4 Qty
313	Fixed Bearing	1	0	1	0	0 Each
515	Steel Protective Coating	2	1	0	1	0 Square Feet

Element Number	Defect Type	Defect Description	CS	CS Qty	Maint Qty
313	Corrosion	painted over pitting [up to 1/4in], painted over pack rust [up to 1/4in] with reactivated spot rust	2	1	Each
515	Effectiveness (Steel Protective Coatings)	limited paint effectiveness with spot rust	3	1	1 Square Feet

General Comments

Span 67 **Beam 3 Far Bearing****Fixed Bearing**

Element Number	Element Name	Total Qty	CS1 Qty	CS2 Qty	CS3 Qty	CS4 Qty
313	Fixed Bearing	1	0	1	0	0 Each
515	Steel Protective Coating	2	1	0	1	0 Square Feet

Element Number	Defect Type	Defect Description	CS	CS Qty	Maint Qty
313	Corrosion	throughout bearing, spot rust	2	1	Each
515	Effectiveness (Steel Protective Coatings)	limited paint effectiveness with spot rust	3	1	1 Square Feet

General Comments

Span 67 **Beam 4****Prestressed Concrete Girder**

Element Number	Element Name	Total Qty	CS1 Qty	CS2 Qty	CS3 Qty	CS4 Qty
109	Prestressed Concrete Open Girder/Beam	60	59	1	0	0 Feet

Element Number	Defect Type	Defect Description	CS	CS Qty	Maint Qty
109	Patched Area	SPAN 67 BEAM 4 LEFT BOTTOM FLANGE OVER BENT 66. sound patch [10in x 6in]	2	1	Feet

General Comments

Span 67 **Beam 4 Near Bearing****Fixed Bearing**

Element Number	Element Name	Total Qty	CS1 Qty	CS2 Qty	CS3 Qty	CS4 Qty
313	Fixed Bearing	1	0	1	0	0 Each
515	Steel Protective Coating	2	1	0	1	0 Square Feet

Element Number	Defect Type	Defect Description	CS	CS Qty	Maint Qty
313	Corrosion	painted over pitting [up to 1/4in], painted over pack rust [up to 1/4in] with reactivated spot rust	2	1	Each
515	Effectiveness (Steel Protective Coatings)	limited paint effectiveness with spot rust	3	1	1 Square Feet

General Comments

Span 67 **Beam 4 Far Bearing****Fixed Bearing**

Element Number	Element Name	Total Qty	CS1 Qty	CS2 Qty	CS3 Qty	CS4 Qty
313	Fixed Bearing	1	0	1	0	0 Each
515	Steel Protective Coating	2	1	0	1	0 Square Feet

Element Number	Defect Type	Defect Description	CS	CS Qty	Maint Qty
313	Corrosion	throughout bearing, spot rust	2	1	Each
515	Effectiveness (Steel Protective Coatings)	limited paint effectiveness with spot rust	3	1	1 Square Feet

General Comments

Span 68 **Deck****Reinforced Concrete Deck**

Element Number	Element Name	Total Qty	CS1 Qty	CS2 Qty	CS3 Qty	CS4 Qty
12	Reinforced Concrete Deck	2,022	1,907	112	3	0 Square Feet

Element Number	Defect Type	Defect Description	CS	CS Qty	Maint Qty
12	Delamination/Spall	18" DIAMETER X 1/2" DEEP SPALL WITH EXPOSED REBAR WITH NO SECTION LOSS IN LEFT OVERHANG AT 5' FROM BENT 67	3	3	3 Square Feet
12	Cracking (RC and Other)	throughout surface, multiple longitudinal cracks and transverse cracks [up to 1/32in x 12ft]	2	72	72 Square Feet
12	Delamination/Spall	SPAN 68 BOTTOM OF LEFT AND RIGHT OVERHANGS, multiple delaminations [up to 6in x 8in]	2	40	40 Square Feet
12	Cracking (RC and Other)	deck surface near midspan, area of hairline map cracking [10ft x 10ft]	1	100	Square Feet
12	Cracking (RC and Other)	SPAN 68 BOTTOM OF DECK HAS SCATTERED hairline MAP CRACKING.	1	200	Square Feet

General Comments

Span 68 **Beam 1 Near Bearing****Fixed Bearing**

Element Number	Element Name	Total Qty	CS1 Qty	CS2 Qty	CS3 Qty	CS4 Qty
313	Fixed Bearing	1	0	1	0	0 Each
515	Steel Protective Coating	2	1	0	1	0 Square Feet

Element Number	Defect Type	Defect Description	CS	CS Qty	Maint Qty
313	Corrosion	painted over pitting [up to 1/4in], painted over pack rust [up to 1/8in] with reactivated spot rust	2	1	Each
515	Effectiveness (Steel Protective Coatings)	limited paint effectiveness with spot rust	3	1	1 Square Feet

General Comments

Span 68 Beam 2

Prestressed Concrete Girder

Element Number	Element Name	Total Qty	CS1 Qty	CS2 Qty	CS3 Qty	CS4 Qty
109	Prestressed Concrete Open Girder/Beam	60	59	1	0	0 Feet

Element Number	Defect Type	Defect Description	CS	CS Qty	Maint Qty
109	Patched Area	SPAN 68 BEAM 2 both sides of BOTTOM FLANGE OVER BENT 67. sound patches [9in x 9in]	2	1	Feet

General Comments

Span 68 Beam 2 Near Bearing

Fixed Bearing

Element Number	Element Name	Total Qty	CS1 Qty	CS2 Qty	CS3 Qty	CS4 Qty
313	Fixed Bearing	1	0	1	0	0 Each
515	Steel Protective Coating	2	1	0	1	0 Square Feet

Element Number	Defect Type	Defect Description	CS	CS Qty	Maint Qty
313	Corrosion	painted over pitting [up to 1/4in], painted over pack rust [up to 1/8in] with reactivated spot rust	2	1	Each
515	Effectiveness (Steel Protective Coatings)	limited paint effectiveness with spot rust	3	1	1 Square Feet

General Comments

Span 68 Beam 2 Far Bearing

Fixed Bearing

Element Number	Element Name	Total Qty	CS1 Qty	CS2 Qty	CS3 Qty	CS4 Qty
313	Fixed Bearing	1	0	1	0	0 Each
515	Steel Protective Coating	2	1	0	1	0 Square Feet

Element Number	Defect Type	Defect Description	CS	CS Qty	Maint Qty
313	Corrosion	painted over pitting up to 1/8in, spot rust	2	1	Each
515	Effectiveness (Steel Protective Coatings)	limited paint effectiveness with spot rust	3	1	1 Square Feet

General Comments

Span 68 Beam 3

Prestressed Concrete Girder

Element Number	Element Name	Total Qty	CS1 Qty	CS2 Qty	CS3 Qty	CS4 Qty
109	Prestressed Concrete Open Girder/Beam	60	59	1	0	0 Feet

Element Number	Defect Type	Defect Description	CS	CS Qty	Maint Qty
109	Patched Area	SPAN 68 BEAM 3 LEFT BOTTOM FLANGE OVER BENT 67. sound patch [6in x 4in]	2	1	Feet

General Comments

Span 68 **Beam 3 Near Bearing**
Fixed Bearing

Element Number	Element Name	Total Qty	CS1 Qty	CS2 Qty	CS3 Qty	CS4 Qty	
313	Fixed Bearing	1	0	1	0	0	Each
515	Steel Protective Coating	2	1	0	1	0	Square Feet

Element Number	Defect Type	Defect Description	CS	CS Qty	Maint Qty	
313	Corrosion	painted over pitting [up to 1/4in], painted over pack rust [up to 1/4in] with reactivated spot rust	2	1		Each
515	Effectiveness (Steel Protective Coatings)	limited paint effectiveness with spot rust	3	1	1	Square Feet

General Comments

Span 68 **Beam 3 Far Bearing**
Fixed Bearing

Element Number	Element Name	Total Qty	CS1 Qty	CS2 Qty	CS3 Qty	CS4 Qty	
313	Fixed Bearing	1	0	1	0	0	Each
515	Steel Protective Coating	2	1	0	1	0	Square Feet

Element Number	Defect Type	Defect Description	CS	CS Qty	Maint Qty	
313	Corrosion	throughout bearing, spot rust	2	1		Each
515	Effectiveness (Steel Protective Coatings)	limited paint effectiveness with spot rust	3	1	1	Square Feet

General Comments

Span 68 **Beam 4 Near Bearing**
Fixed Bearing

Element Number	Element Name	Total Qty	CS1 Qty	CS2 Qty	CS3 Qty	CS4 Qty	
313	Fixed Bearing	1	0	1	0	0	Each
515	Steel Protective Coating	2	1	0	1	0	Square Feet

Element Number	Defect Type	Defect Description	CS	CS Qty	Maint Qty	
313	Corrosion	painted over pitting [up to 1/4in], painted over pack rust [up to 1/8in] with reactivated spot rust	2	1		Each
515	Effectiveness (Steel Protective Coatings)	limited paint effectiveness with spot rust	3	1	1	Square Feet

General Comments

Span 68 **Beam 4 Far Bearing**
Fixed Bearing

Element Number	Element Name	Total Qty	CS1 Qty	CS2 Qty	CS3 Qty	CS4 Qty	
313	Fixed Bearing	1	0	1	0	0	Each
515	Steel Protective Coating	2	1	0	1	0	Square Feet

Element Number	Defect Type	Defect Description	CS	CS Qty	Maint Qty	
313	Corrosion	painted over pitting [up to 1/4in] with reactivated spot rust	2	1		Each

515	Effectiveness (Steel Protective Coatings)	limited paint effectiveness with spot rust	3	1	1	Square Feet
General Comments						

Span 69 Deck

Reinforced Concrete Deck

Element Number	Element Name	Total Qty	CS1 Qty	CS2 Qty	CS3 Qty	CS4 Qty	
12	Reinforced Concrete Deck	2,022	1,734	286	2	0	Square Feet
Element Number	Defect Type	Defect Description	CS	CS Qty	Maint Qty		
12	Delamination/Spall	18" WIDE X 3" LONG X 1/2" DEEP SPALL WITH EXPOSED REBAR WITH NO SECTION LOSS IN RIGHT OVERHANG AT 10' FROM BENT 69	3	2	2	Square Feet	
12	Cracking (RC and Other)	throughout surface, multiple longitudinal cracks and transverse cracks [up to 1/32in x 12ft]	2	100	100	Square Feet	
12	Cracking (RC and Other)	SPAN 69 BOTTOM OF DECK HAS SCATTERED MAP CRACKING.	2	150	150	Square Feet	
12	Patched Areas	in both lanes at bent 69, multiple sound patches [up to 8ft x 3ft]	2	36		Square Feet	
General Comments							

Span 69 Beam 1

Prestressed Concrete Girder

Element Number	Element Name	Total Qty	CS1 Qty	CS2 Qty	CS3 Qty	CS4 Qty	
109	Prestressed Concrete Open Girder/Beam	60	59	1	0	0	Feet
Element Number	Defect Type	Defect Description	CS	CS Qty	Maint Qty		
109	Patched Area	SPAN 69 BEAM 1 RIGHT BOTTOM FLANGE OVER BENT 69. sound patch [7in x 7in]	2			Feet	
109	Patched Area	6" LONG X 6" TALL NEW REPAIR TO BOTTOM LEFT FLANGE AT BENT 69	2	1		Feet	
109	Delamination/Spall	West face of bottom flange over bent 69, spall [4.5in x up to 5in x up to 1in deep] with [1] one exposed rusted strand [up to 1/16in section loss] (REPAIRED PRIOR TO 2022 INSPECTION)	1			Feet	
General Comments							

Span 69 Beam 1 Far Bearing

Fixed Bearing

Element Number	Element Name	Total Qty	CS1 Qty	CS2 Qty	CS3 Qty	CS4 Qty	
313	Fixed Bearing	1	0	1	0	0	Each
515	Steel Protective Coating	2	1	0	1	0	Square Feet
Element Number	Defect Type	Defect Description	CS	CS Qty	Maint Qty		
313	Corrosion	painted over pitting [up to 1/8in], with spot rust	2	1		Each	
515	Effectiveness (Steel Protective Coatings)	limited paint effectiveness with spot rust	3	1	1	Square Feet	
General Comments							

Span 69 **Beam 2 Near Bearing**
Fixed Bearing

Element Number	Element Name	Total Qty	CS1 Qty	CS2 Qty	CS3 Qty	CS4 Qty	
313	Fixed Bearing	1	0	1	0	0	Each
515	Steel Protective Coating	2	1	0	1	0	Square Feet

Element Number	Defect Type	Defect Description	CS	CS Qty	Maint Qty	
313	Corrosion	painted over pitting [up to 1/4in], painted over pack rust [up to 1/4in] with reactivated pack rust	2	1		Each
515	Effectiveness (Steel Protective Coatings)	limited paint effectiveness with spot rust	3	1	1	Square Feet

General Comments

Span 69 **Beam 2 Far Bearing**
Fixed Bearing

Element Number	Element Name	Total Qty	CS1 Qty	CS2 Qty	CS3 Qty	CS4 Qty	
313	Fixed Bearing	1	0	1	0	0	Each
515	Steel Protective Coating	2	1	0	1	0	Square Feet

Element Number	Defect Type	Defect Description	CS	CS Qty	Maint Qty	
313	Corrosion	painted over pitting [up to 1/4in] with spot rust	2	1		Each
313	Connection	South guide plate missing	2			Each
515	Effectiveness (Steel Protective Coatings)	limited paint effectiveness with spot rust	3	1	1	Square Feet

General Comments

Span 69 **Beam 3 Near Bearing**
Fixed Bearing

Element Number	Element Name	Total Qty	CS1 Qty	CS2 Qty	CS3 Qty	CS4 Qty	
313	Fixed Bearing	1	0	1	0	0	Each
515	Steel Protective Coating	2	1	0	1	0	Square Feet

Element Number	Defect Type	Defect Description	CS	CS Qty	Maint Qty	
313	Corrosion	painted over pitting [up to 1/8in], painted over pack rust [up to 1/8in] with reactivated pack rust	2	1		Each
515	Effectiveness (Steel Protective Coatings)	limited paint effectiveness with spot rust	3	1	1	Square Feet

General Comments

Span 69 **Beam 3 Far Bearing**
Fixed Bearing

Element Number	Element Name	Total Qty	CS1 Qty	CS2 Qty	CS3 Qty	CS4 Qty	
313	Fixed Bearing	1	0	1	0	0	Each
515	Steel Protective Coating	2	1	0	1	0	Square Feet

Element Number	Defect Type	Defect Description	CS	CS Qty	Maint Qty	
313	Corrosion	painted over pitting [up to 1/8in] with spot rust	2	1		Each

515	Effectiveness (Steel Protective Coatings)	limited paint effectiveness with spot rust	3	1	1	Square Feet
General Comments						

Span 69 Beam 4 Near Bearing

Fixed Bearing

Element Number	Element Name	Total Qty	CS1 Qty	CS2 Qty	CS3 Qty	CS4 Qty
313	Fixed Bearing	1	0	1	0	0 Each
515	Steel Protective Coating	2	1	0	1	0 Square Feet

Element Number	Defect Type	Defect Description	CS	CS Qty	Maint Qty
313	Corrosion	painted over pitting [up to 1/4in], painted over pack rust [up to 1/4in] with reactivated pack rust	2	1	Each
515	Effectiveness (Steel Protective Coatings)	limited paint effectiveness with spot rust	3	1	1 Square Feet
General Comments					

Span 69 Beam 4 Far Bearing

Fixed Bearing

Element Number	Element Name	Total Qty	CS1 Qty	CS2 Qty	CS3 Qty	CS4 Qty
313	Fixed Bearing	1	0	1	0	0 Each
515	Steel Protective Coating	2	1	0	1	0 Square Feet

Element Number	Defect Type	Defect Description	CS	CS Qty	Maint Qty
313	Corrosion	throughout bearing, spot rust	2	1	Each
515	Effectiveness (Steel Protective Coatings)	limited paint effectiveness with spot rust	3	1	1 Square Feet
General Comments					

Span 70 Deck

Reinforced Concrete Deck

Element Number	Element Name	Total Qty	CS1 Qty	CS2 Qty	CS3 Qty	CS4 Qty
12	Reinforced Concrete Deck	2,022	1,900	122	0	0 Square Feet

Element Number	Defect Type	Defect Description	CS	CS Qty	Maint Qty
12	Patched Areas	in both lanes at bent 69, multiple sound patches [up to 5ft x 3ft]	2	2	Square Feet
12	Cracking (RC and Other)	throughout surface, multiple areas of map cracking [up to 1/32in]	2	120	120 Square Feet
General Comments					

Span 70 Left Bridge Rail

Concrete and Metal Railing

Element Number	Element Name	Total Qty	CS1 Qty	CS2 Qty	CS3 Qty	CS4 Qty	
333	Other Bridge Railing	60	53	7	0	0	Feet
515	Steel Protective Coating	120	120	0	0	0	Square Feet

Element Number	Defect Type	Defect Description	CS	CS Qty	Maint Qty	
333	Damage	SPAN 70 LEFT RAIL IS BENT UPWARD 3" BETWEEN RAIL POST 4 AND 5.	2	7	7	Feet

General Comments

Span 70 Beam 1

Prestressed Concrete Girder

Element Number	Element Name	Total Qty	CS1 Qty	CS2 Qty	CS3 Qty	CS4 Qty	
109	Prestressed Concrete Open Girder/Beam	60	59	1	0	0	Feet

Element Number	Defect Type	Defect Description	CS	CS Qty	Maint Qty	
109	Patched Area	SPAN 70 BEAM 1 RIGHT BOTTOM FLANGE OVER BENT 69. sound patch [6in x 7in]	2	1		Feet

General Comments

Span 70 Beam 1 Near Bearing

Fixed Bearing

Element Number	Element Name	Total Qty	CS1 Qty	CS2 Qty	CS3 Qty	CS4 Qty	
313	Fixed Bearing	1	0	1	0	0	Each
515	Steel Protective Coating	2	1	1	0	0	Square Feet

Element Number	Defect Type	Defect Description	CS	CS Qty	Maint Qty	
313	Corrosion	RUST STAINS COMING THROUGH PROTECTIVE COATING.	2	1		Each
515	Effectiveness (Steel Protective Coatings)	paint failure with spot rust	2	1	1	Square Feet

General Comments

Span 70 Beam 1 Far Bearing

Fixed Bearing

Element Number	Element Name	Total Qty	CS1 Qty	CS2 Qty	CS3 Qty	CS4 Qty	
313	Fixed Bearing	1	0	1	0	0	Each
515	Steel Protective Coating	2	1	1	0	0	Square Feet

Element Number	Defect Type	Defect Description	CS	CS Qty	Maint Qty	
313	Corrosion	RUST STAINS COMING THROUGH PROTECTIVE COATING.	2	1		Each
515	Effectiveness (Steel Protective Coatings)	paint failure with spot rust	2	1	1	Square Feet

General Comments

Span 70 Beam 2

Prestressed Concrete Girder

Element Number	Element Name	Total Qty	CS1 Qty	CS2 Qty	CS3 Qty	CS4 Qty
109	Prestressed Concrete Open Girder/Beam	60	59	1	0	0 Feet

Element Number	Defect Type	Defect Description	CS	CS Qty	Maint Qty
109	Patched Area	SPAN 70 BEAM 2 LEFT BOTTOM FLANGE OVER BENT 69. HAS A 1/16" CRACK x 6" LONG with epoxy fill	2	1	Feet

General Comments

Span 70 Beam 2 Near Bearing

Fixed Bearing

Element Number	Element Name	Total Qty	CS1 Qty	CS2 Qty	CS3 Qty	CS4 Qty
313	Fixed Bearing	1	0	1	0	0 Each
515	Steel Protective Coating	2	1	1	0	0 Square Feet

Element Number	Defect Type	Defect Description	CS	CS Qty	Maint Qty
313	Corrosion	RUST STAINS COMING THROUGH PROTECTIVE COATING.	2	1	Each
515	Effectiveness (Steel Protective Coatings)	paint failure with spot rust	2	1	1 Square Feet

General Comments

Span 70 Beam 2 Far Bearing

Fixed Bearing

Element Number	Element Name	Total Qty	CS1 Qty	CS2 Qty	CS3 Qty	CS4 Qty
313	Fixed Bearing	1	0	1	0	0 Each
515	Steel Protective Coating	2	1	1	0	0 Square Feet

Element Number	Defect Type	Defect Description	CS	CS Qty	Maint Qty
313	Corrosion	RUST STAINS COMING THROUGH PROTECTIVE COATING.	2	1	Each
515	Effectiveness (Steel Protective Coatings)	paint failure with spot rust	2	1	1 Square Feet

General Comments

Span 70 Beam 3

Prestressed Concrete Girder

Element Number	Element Name	Total Qty	CS1 Qty	CS2 Qty	CS3 Qty	CS4 Qty
109	Prestressed Concrete Open Girder/Beam	60	59	0	1	0 Feet

Element Number	Defect Type	Defect Description	CS	CS Qty	Maint Qty
109	Delamination/Spall	SPAN 70 BEAM 3 LEFT BOTTOM FLANGE OVER BENT 69. HAS A SPALLED AREA WITH 1 CABLE VISIBLE. AREA IS: 6" x 6" x 2 1/2" DEEP. CABLE HAS AN EPOXY REPAIR.	3	1	1 Feet

General Comments

Span 70 Beam 3 Near Bearing

Fixed Bearing

Element Number	Element Name	Total Qty	CS1 Qty	CS2 Qty	CS3 Qty	CS4 Qty	
313	Fixed Bearing	1	0	1	0	0	Each
515	Steel Protective Coating	2	1	1	0	0	Square Feet

Element Number	Defect Type	Defect Description	CS	CS Qty	Maint Qty	
313	Corrosion	RUST STAINS COMING THROUGH PROTECTIVE COATING.	2	1		Each
515	Effectiveness (Steel Protective Coatings)	paint failure with spot rust	2	1	1	Square Feet

General Comments

Span 70 Beam 3 Far Bearing

Fixed Bearing

Element Number	Element Name	Total Qty	CS1 Qty	CS2 Qty	CS3 Qty	CS4 Qty	
313	Fixed Bearing	1	0	1	0	0	Each
515	Steel Protective Coating	2	1	1	0	0	Square Feet

Element Number	Defect Type	Defect Description	CS	CS Qty	Maint Qty	
313	Corrosion	RUST STAINS COMING THROUGH PROTECTIVE COATING.	2	1		Each
515	Effectiveness (Steel Protective Coatings)	paint failure with spot rust	2	1	1	Square Feet

General Comments

Span 70 Beam 4

Prestressed Concrete Girder

Element Number	Element Name	Total Qty	CS1 Qty	CS2 Qty	CS3 Qty	CS4 Qty	
109	Prestressed Concrete Open Girder/Beam	60	59	1	0	0	Feet

Element Number	Defect Type	Defect Description	CS	CS Qty	Maint Qty	
109	Patched Area	6" LONG X 4" TALL NEW REPAIR TO BOTTOM RIGHT FLANGE AT BENT 69	2	1		Feet
109	Delamination/Spall	East face of bottom flange at bent 69, spall [6in x 3in x 2in deep] with [1] one exposed rusted strand [up to 10% section loss] (REPAIRED PRIOR TO 2022 INSPECTION)	1			Feet

General Comments

Span 70 Beam 4 Near Bearing

Fixed Bearing

Element Number	Element Name	Total Qty	CS1 Qty	CS2 Qty	CS3 Qty	CS4 Qty	
313	Fixed Bearing	1	0	1	0	0	Each
515	Steel Protective Coating	2	1	1	0	0	Square Feet

Element Number	Defect Type	Defect Description	CS	CS Qty	Maint Qty	
313	Corrosion	RUST STAINS COMING THROUGH PROTECTIVE COATING.	2	1		Each
515	Effectiveness (Steel Protective Coatings)	paint failure with spot rust	2	1	1	Square Feet

General Comments

Span 70 Beam 4 Far Bearing

Fixed Bearing

Element Number	Element Name	Total Qty	CS1 Qty	CS2 Qty	CS3 Qty	CS4 Qty	
313	Fixed Bearing	1	0	1	0	0	Each
515	Steel Protective Coating	2	1	1	0	0	Square Feet

Element Number	Defect Type	Defect Description	CS	CS Qty	Maint Qty	
313	Corrosion	RUST STAINS COMING THROUGH PROTECTIVE COATING.	2	1		Each
515	Effectiveness (Steel Protective Coatings)	paint failure with spot rust	2	1	1	Square Feet

General Comments

Span 71 Deck

Reinforced Concrete Deck

Element Number	Element Name	Total Qty	CS1 Qty	CS2 Qty	CS3 Qty	CS4 Qty	
12	Reinforced Concrete Deck	2,023	1,923	100	0	0	Square Feet

Element Number	Defect Type	Defect Description	CS	CS Qty	Maint Qty	
12	Cracking (RC and Other)	throughout surface, multiple areas of map cracking [up to 1/32in]	2	100	100	Square Feet

General Comments

Span 71 Beam 1

Prestressed Concrete Girder

Element Number	Element Name	Total Qty	CS1 Qty	CS2 Qty	CS3 Qty	CS4 Qty	
109	Prestressed Concrete Open Girder/Beam	60	59	0	1	0	Feet

Element Number	Defect Type	Defect Description	CS	CS Qty	Maint Qty	
109	Delamination/Spall	SPAN 71 BEAM 1 LEFT BOTTOM FLANGE OVER BENT 70. HAS A SPALLED AREA WITH 1 CABLE VISIBLE. AREA IS: 3" x 5" x 2" DEEP. CABLE SHOWS NO SIGNS OF SECTION LOSS.	3	1	1	Feet

General Comments

Span 71 Beam 1 Near Bearing

Fixed Bearing

Element Number	Element Name	Total Qty	CS1 Qty	CS2 Qty	CS3 Qty	CS4 Qty	
313	Fixed Bearing	1	0	1	0	0	Each
515	Steel Protective Coating	2	1	1	0	0	Square Feet

Element Number	Defect Type	Defect Description	CS	CS Qty	Maint Qty	
313	Corrosion	RUST STAINS COMING THROUGH PROTECTIVE COATING.	2	1		Each
515	Effectiveness (Steel Protective Coatings)	paint failure with spot rust	2	1	1	Square Feet

General Comments

Span 71 **Beam 1 Far Bearing**
Fixed Bearing

Element Number	Element Name	Total Qty	CS1 Qty	CS2 Qty	CS3 Qty	CS4 Qty	
313	Fixed Bearing	1	0	1	0	0	Each
515	Steel Protective Coating	2	1	1	0	0	Square Feet

Element Number	Defect Type	Defect Description	CS	CS Qty	Maint Qty	
313	Corrosion	RUST STAINS COMING THROUGH PROTECTIVE COATING.	2	1		Each
515	Effectiveness (Steel Protective Coatings)	paint failure with spot rust	2	1	1	Square Feet

General Comments

Span 71 **Beam 2 Near Bearing**
Fixed Bearing

Element Number	Element Name	Total Qty	CS1 Qty	CS2 Qty	CS3 Qty	CS4 Qty	
313	Fixed Bearing	1	0	1	0	0	Each
515	Steel Protective Coating	2	1	1	0	0	Square Feet

Element Number	Defect Type	Defect Description	CS	CS Qty	Maint Qty	
313	Corrosion	RUST STAINS COMING THROUGH PROTECTIVE COATING.	2	1		Each
515	Effectiveness (Steel Protective Coatings)	paint failure with spot rust	2	1	1	Square Feet

General Comments

Span 71 **Beam 2 Far Bearing**
Fixed Bearing

Element Number	Element Name	Total Qty	CS1 Qty	CS2 Qty	CS3 Qty	CS4 Qty	
313	Fixed Bearing	1	0	1	0	0	Each
515	Steel Protective Coating	2	1	1	0	0	Square Feet

Element Number	Defect Type	Defect Description	CS	CS Qty	Maint Qty	
313	Corrosion	RUST STAINS COMING THROUGH PROTECTIVE COATING.	2	1		Each
515	Effectiveness (Steel Protective Coatings)	paint failure with spot rust	2	1	1	Square Feet

General Comments

Span 71 **Beam 3 Near Bearing**
Fixed Bearing

Element Number	Element Name	Total Qty	CS1 Qty	CS2 Qty	CS3 Qty	CS4 Qty	
313	Fixed Bearing	1	0	1	0	0	Each
515	Steel Protective Coating	2	1	1	0	0	Square Feet

Element Number	Defect Type	Defect Description	CS	CS Qty	Maint Qty	
313	Corrosion	RUST STAINS COMING THROUGH PROTECTIVE COATING.	2	1		Each

515	Effectiveness (Steel Protective Coatings)	paint failure with spot rust	2	1	1	Square Feet
General Comments						

Span 71 Beam 3 Far Bearing

Fixed Bearing

Element Number	Element Name	Total Qty	CS1 Qty	CS2 Qty	CS3 Qty	CS4 Qty
313	Fixed Bearing	1	0	1	0	0 Each
515	Steel Protective Coating	2	1	1	0	0 Square Feet

Element Number	Defect Type	Defect Description	CS	CS Qty	Maint Qty
313	Corrosion	RUST STAINS COMING THROUGH PROTECTIVE COATING.	2	1	Each
515	Effectiveness (Steel Protective Coatings)	paint failure with spot rust	2	1	1 Square Feet
General Comments					

Span 71 Beam 4 Near Bearing

Fixed Bearing

Element Number	Element Name	Total Qty	CS1 Qty	CS2 Qty	CS3 Qty	CS4 Qty
313	Fixed Bearing	1	0	1	0	0 Each
515	Steel Protective Coating	2	1	1	0	0 Square Feet

Element Number	Defect Type	Defect Description	CS	CS Qty	Maint Qty
313	Corrosion	RUST STAINS COMING THROUGH PROTECTIVE COATING.	2	1	Each
515	Effectiveness (Steel Protective Coatings)	paint failure with spot rust	2	1	1 Square Feet
General Comments					

Span 71 Beam 4 Far Bearing

Fixed Bearing

Element Number	Element Name	Total Qty	CS1 Qty	CS2 Qty	CS3 Qty	CS4 Qty
313	Fixed Bearing	1	0	1	0	0 Each
515	Steel Protective Coating	2	1	1	0	0 Square Feet

Element Number	Defect Type	Defect Description	CS	CS Qty	Maint Qty
313	Corrosion	RUST STAINS COMING THROUGH PROTECTIVE COATING.	2	1	Each
515	Effectiveness (Steel Protective Coatings)	paint failure with spot rust	2	1	1 Square Feet
General Comments					

Span 72 Deck

Reinforced Concrete Deck

Element Number	Element Name	Total Qty	CS1 Qty	CS2 Qty	CS3 Qty	CS4 Qty
12	Reinforced Concrete Deck	2,022	2,021	1	0	0 Square Feet

Element Number	Defect Type	Defect Description	CS	CS Qty	Maint Qty
----------------	-------------	--------------------	----	--------	-----------

Structure Number: 070007

Inspection Date: 03/03/2022

12	Patched Areas	along centerline at bent 71, sound patches [12in x 6in]	2	1	Square Feet
12	Cracking (RC and Other)	throughout surface, hairline map cracking	1	200	Square Feet

General Comments

Span 72 Beam 1 Near Bearing

Fixed Bearing

Element Number	Element Name	Total Qty	CS1 Qty	CS2 Qty	CS3 Qty	CS4 Qty
313	Fixed Bearing	1	0	1	0	0 Each
515	Steel Protective Coating	2	1	1	0	0 Square Feet

Element Number	Defect Type	Defect Description	CS	CS Qty	Maint Qty
313	Corrosion	RUST STAINS COMING THROUGH PROTECTIVE COATING.	2	1	Each
515	Effectiveness (Steel Protective Coatings)	paint failure with spot rust	2	1	1 Square Feet

General Comments

Span 72 Beam 1 Far Bearing

Fixed Bearing

Element Number	Element Name	Total Qty	CS1 Qty	CS2 Qty	CS3 Qty	CS4 Qty
313	Fixed Bearing	1	0	1	0	0 Each
515	Steel Protective Coating	2	1	1	0	0 Square Feet

Element Number	Defect Type	Defect Description	CS	CS Qty	Maint Qty
313	Corrosion	RUST STAINS COMING THROUGH PROTECTIVE COATING.	2	1	Each
515	Effectiveness (Steel Protective Coatings)	paint failure with spot rust	2	1	1 Square Feet

General Comments

Span 72 Beam 2 Near Bearing

Fixed Bearing

Element Number	Element Name	Total Qty	CS1 Qty	CS2 Qty	CS3 Qty	CS4 Qty
313	Fixed Bearing	1	0	1	0	0 Each
515	Steel Protective Coating	2	1	1	0	0 Square Feet

Element Number	Defect Type	Defect Description	CS	CS Qty	Maint Qty
313	Corrosion	RUST STAINS COMING THROUGH PROTECTIVE COATING.	2	1	Each
515	Effectiveness (Steel Protective Coatings)	paint failure with spot rust	2	1	1 Square Feet

General Comments

Span 72 Beam 2 Far Bearing

Fixed Bearing

Element Number	Element Name	Total Qty	CS1 Qty	CS2 Qty	CS3 Qty	CS4 Qty	
313	Fixed Bearing	1	0	1	0	0	Each
515	Steel Protective Coating	2	1	1	0	0	Square Feet

Element Number	Defect Type	Defect Description	CS	CS Qty	Maint Qty	
313	Corrosion	RUST STAINS COMING THROUGH PROTECTIVE COATING.	2	1		Each
515	Effectiveness (Steel Protective Coatings)	paint failure with spot rust	2	1	1	Square Feet

General Comments

Span 72 Beam 3 Near Bearing

Fixed Bearing

Element Number	Element Name	Total Qty	CS1 Qty	CS2 Qty	CS3 Qty	CS4 Qty	
313	Fixed Bearing	1	0	1	0	0	Each
515	Steel Protective Coating	2	1	1	0	0	Square Feet

Element Number	Defect Type	Defect Description	CS	CS Qty	Maint Qty	
313	Corrosion	RUST STAINS COMING THROUGH PROTECTIVE COATING.	2	1		Each
515	Effectiveness (Steel Protective Coatings)	paint failure with spot rust	2	1	1	Square Feet

General Comments

Span 72 Beam 3 Far Bearing

Fixed Bearing

Element Number	Element Name	Total Qty	CS1 Qty	CS2 Qty	CS3 Qty	CS4 Qty	
313	Fixed Bearing	1	0	1	0	0	Each
515	Steel Protective Coating	2	1	1	0	0	Square Feet

Element Number	Defect Type	Defect Description	CS	CS Qty	Maint Qty	
313	Corrosion	RUST STAINS COMING THROUGH PROTECTIVE COATING.	2	1		Each
515	Effectiveness (Steel Protective Coatings)	paint failure with spot rust	2	1	1	Square Feet

General Comments

Span 72 Beam 4 Near Bearing

Fixed Bearing

Element Number	Element Name	Total Qty	CS1 Qty	CS2 Qty	CS3 Qty	CS4 Qty	
313	Fixed Bearing	1	0	1	0	0	Each
515	Steel Protective Coating	2	1	1	0	0	Square Feet

Element Number	Defect Type	Defect Description	CS	CS Qty	Maint Qty	
313	Corrosion	RUST STAINS COMING THROUGH PROTECTIVE COATING.	2	1		Each
515	Effectiveness (Steel Protective Coatings)	paint failure with spot rust	2	1	1	Square Feet

General Comments

Span 72 Beam 4 Far Bearing

Fixed Bearing

Element Number	Element Name	Total Qty	CS1 Qty	CS2 Qty	CS3 Qty	CS4 Qty	
313	Fixed Bearing	1	0	1	0	0	Each
515	Steel Protective Coating	2	1	1	0	0	Square Feet

Element Number	Defect Type	Defect Description	CS	CS Qty	Maint Qty	
313	Corrosion	RUST STAINS COMING THROUGH PROTECTIVE COATING.	2	1		Each
515	Effectiveness (Steel Protective Coatings)	paint failure with spot rust	2	1	1	Square Feet

General Comments

Span 73 Deck

Reinforced Concrete Deck

Element Number	Element Name	Total Qty	CS1 Qty	CS2 Qty	CS3 Qty	CS4 Qty	
12	Reinforced Concrete Deck	2,022	1,902	120	0	0	Square Feet

Element Number	Defect Type	Defect Description	CS	CS Qty	Maint Qty	
12	Cracking (RC and Other)	throughout surface, multiple longitudinal cracks and transverse cracks [1/32in x 8ft]	2	120	120	Square Feet

General Comments

Span 73 Beam 1

Prestressed Concrete Girder

Element Number	Element Name	Total Qty	CS1 Qty	CS2 Qty	CS3 Qty	CS4 Qty	
109	Prestressed Concrete Open Girder/Beam	60	59	0	1	0	Feet

Element Number	Defect Type	Defect Description	CS	CS Qty	Maint Qty	
109	Delamination/Spall	at bent 73, spall [3in x 3in x 1in]	3	1	1	Feet

General Comments

Span 73 Beam 1 Near Bearing

Fixed Bearing

Element Number	Element Name	Total Qty	CS1 Qty	CS2 Qty	CS3 Qty	CS4 Qty	
313	Fixed Bearing	1	0	1	0	0	Each
515	Steel Protective Coating	2	1	1	0	0	Square Feet

Element Number	Defect Type	Defect Description	CS	CS Qty	Maint Qty	
313	Corrosion	RUST STAINS COMING THROUGH PROTECTIVE COATING.	2	1		Each
515	Effectiveness (Steel Protective Coatings)	paint failure with spot rust	2	1	1	Square Feet

General Comments

Span 73 Beam 1 Far Bearing

Fixed Bearing

Element Number	Element Name	Total Qty	CS1 Qty	CS2 Qty	CS3 Qty	CS4 Qty	
313	Fixed Bearing	1	0	1	0	0	Each
515	Steel Protective Coating	2	1	1	0	0	Square Feet

Element Number	Defect Type	Defect Description	CS	CS Qty	Maint Qty	
313	Corrosion	RUST STAINS COMING THROUGH PROTECTIVE COATING.	2	1		Each
515	Effectiveness (Steel Protective Coatings)	paint failure with spot rust	2	1	1	Square Feet

General Comments

Span 73 Beam 2

Prestressed Concrete Girder

Element Number	Element Name	Total Qty	CS1 Qty	CS2 Qty	CS3 Qty	CS4 Qty	
109	Prestressed Concrete Open Girder/Beam	60	59	1	0	0	Feet

Element Number	Defect Type	Defect Description	CS	CS Qty	Maint Qty	
109	Delamination/Spall	at bent 74, delamination [8in x 3in]	2	1	1	Feet

General Comments

Span 73 Beam 2 Near Bearing

Fixed Bearing

Element Number	Element Name	Total Qty	CS1 Qty	CS2 Qty	CS3 Qty	CS4 Qty	
313	Fixed Bearing	1	0	1	0	0	Each
515	Steel Protective Coating	2	1	1	0	0	Square Feet

Element Number	Defect Type	Defect Description	CS	CS Qty	Maint Qty	
313	Corrosion	RUST STAINS COMING THROUGH PROTECTIVE COATING.	2	1		Each
515	Effectiveness (Steel Protective Coatings)	paint failure with spot rust	2	1	1	Square Feet

General Comments

Span 73 Beam 2 Far Bearing

Fixed Bearing

Element Number	Element Name	Total Qty	CS1 Qty	CS2 Qty	CS3 Qty	CS4 Qty	
313	Fixed Bearing	1	0	1	0	0	Each
515	Steel Protective Coating	2	1	1	0	0	Square Feet

Element Number	Defect Type	Defect Description	CS	CS Qty	Maint Qty	
313	Corrosion	RUST STAINS COMING THROUGH PROTECTIVE COATING.	2	1		Each
515	Effectiveness (Steel Protective Coatings)	paint failure with spot rust	2	1	1	Square Feet

General Comments

Span 73 Beam 3

Prestressed Concrete Girder

Element Number	Element Name	Total Qty	CS1 Qty	CS2 Qty	CS3 Qty	CS4 Qty
109	Prestressed Concrete Open Girder/Beam	60	59	1	0	0 Feet

Element Number	Defect Type	Defect Description	CS	CS Qty	Maint Qty
109	Delamination/Spall	at bent 74, delamination [4in x 4in]	2	1	1 Feet

General Comments

Span 73 Beam 3 Near Bearing

Fixed Bearing

Element Number	Element Name	Total Qty	CS1 Qty	CS2 Qty	CS3 Qty	CS4 Qty
313	Fixed Bearing	1	0	1	0	0 Each
515	Steel Protective Coating	2	1	1	0	0 Square Feet

Element Number	Defect Type	Defect Description	CS	CS Qty	Maint Qty
313	Corrosion	RUST STAINS COMING THROUGH PROTECTIVE COATING.	2	1	Each
515	Effectiveness (Steel Protective Coatings)	paint failure with spot rust	2	1	1 Square Feet

General Comments

Span 73 Beam 3 Far Bearing

Fixed Bearing

Element Number	Element Name	Total Qty	CS1 Qty	CS2 Qty	CS3 Qty	CS4 Qty
313	Fixed Bearing	1	0	1	0	0 Each
515	Steel Protective Coating	2	1	1	0	0 Square Feet

Element Number	Defect Type	Defect Description	CS	CS Qty	Maint Qty
313	Corrosion	RUST STAINS COMING THROUGH PROTECTIVE COATING.	2	1	Each
515	Effectiveness (Steel Protective Coatings)	paint failure with spot rust	2	1	1 Square Feet

General Comments

Span 73 Beam 4 Near Bearing

Fixed Bearing

Element Number	Element Name	Total Qty	CS1 Qty	CS2 Qty	CS3 Qty	CS4 Qty
313	Fixed Bearing	1	0	1	0	0 Each
515	Steel Protective Coating	2	1	1	0	0 Square Feet

Element Number	Defect Type	Defect Description	CS	CS Qty	Maint Qty
313	Corrosion	RUST STAINS COMING THROUGH PROTECTIVE COATING.	2	1	Each
515	Effectiveness (Steel Protective Coatings)	paint failure with spot rust	2	1	1 Square Feet

General Comments

Span 73 **Beam 4 Far Bearing**
Fixed Bearing

Element Number	Element Name	Total Qty	CS1 Qty	CS2 Qty	CS3 Qty	CS4 Qty	
313	Fixed Bearing	1	0	1	0	0	Each
515	Steel Protective Coating	2	1	1	0	0	Square Feet

Element Number	Defect Type	Defect Description	CS	CS Qty	Maint Qty	
313	Corrosion	RUST STAINS COMING THROUGH PROTECTIVE COATING.	2	1		Each
515	Effectiveness (Steel Protective Coatings)	paint failure with spot rust	2	1	1	Square Feet

General Comments

Span 74 **Deck**
Reinforced Concrete Deck

Element Number	Element Name	Total Qty	CS1 Qty	CS2 Qty	CS3 Qty	CS4 Qty	
12	Reinforced Concrete Deck	2,022	1,874	146	2	0	Square Feet

Element Number	Defect Type	Defect Description	CS	CS Qty	Maint Qty	
12	Delamination/Spall	15" WIDE X 3" LONG X 2" DEEP SPALL IN LEFT LANE AT BENT 74	3	2	2	Square Feet
12	Cracking (RC and Other)	throughout surface, multiple longitudinal cracks and transverse cracks [1/32in x 8ft]	2	140	140	Square Feet
12	Patched Areas	in left lane at bent 74, multiple sound patches [up to 2ft x 6in]	2	6		Square Feet

General Comments

Span 74 **Beam 1 Near Bearing**
Fixed Bearing

Element Number	Element Name	Total Qty	CS1 Qty	CS2 Qty	CS3 Qty	CS4 Qty	
313	Fixed Bearing	1	0	1	0	0	Each
515	Steel Protective Coating	2	1	1	0	0	Square Feet

Element Number	Defect Type	Defect Description	CS	CS Qty	Maint Qty	
313	Corrosion	RUST STAINS COMING THROUGH PROTECTIVE COATING.	2	1		Each
515	Effectiveness (Steel Protective Coatings)	paint failure with spot rust	2	1	1	Square Feet

General Comments

Span 74 **Beam 1 Far Bearing**
Fixed Bearing

Element Number	Element Name	Total Qty	CS1 Qty	CS2 Qty	CS3 Qty	CS4 Qty	
313	Fixed Bearing	1	0	1	0	0	Each
515	Steel Protective Coating	2	1	1	0	0	Square Feet

Element Number	Defect Type	Defect Description	CS	CS Qty	Maint Qty	
313	Corrosion	RUST STAINS COMING THROUGH PROTECTIVE COATING.	2	1		Each
515	Effectiveness (Steel Protective Coatings)	paint failure with spot rust	2	1	1	Square Feet

General Comments

Span 74 Beam 2

Prestressed Concrete Girder

Element Number	Element Name	Total Qty	CS1 Qty	CS2 Qty	CS3 Qty	CS4 Qty	
109	Prestressed Concrete Open Girder/Beam	60	59	1	0	0	Feet

Element Number	Defect Type	Defect Description	CS	CS Qty	Maint Qty	
109	Delamination/Spall	left bottom flange at bent 74, delamination [8in x 3in]	2	1	1	Feet
109	Patched Area	SPAN 74 BEAM 2 RIGHT BOTTOM FLANGE OVER BENT 74. sound patch [7in x 9in]	2			Feet

General Comments

Span 74 Beam 2 Near Bearing

Fixed Bearing

Element Number	Element Name	Total Qty	CS1 Qty	CS2 Qty	CS3 Qty	CS4 Qty	
313	Fixed Bearing	1	0	1	0	0	Each
515	Steel Protective Coating	2	1	1	0	0	Square Feet

Element Number	Defect Type	Defect Description	CS	CS Qty	Maint Qty	
313	Corrosion	RUST STAINS COMING THROUGH PROTECTIVE COATING.	2	1		Each
515	Effectiveness (Steel Protective Coatings)	paint failure with spot rust	2	1	1	Square Feet

General Comments

Span 74 Beam 2 Far Bearing

Fixed Bearing

Element Number	Element Name	Total Qty	CS1 Qty	CS2 Qty	CS3 Qty	CS4 Qty	
313	Fixed Bearing	1	0	1	0	0	Each
515	Steel Protective Coating	2	1	1	0	0	Square Feet

Element Number	Defect Type	Defect Description	CS	CS Qty	Maint Qty	
313	Corrosion	RUST STAINS COMING THROUGH PROTECTIVE COATING.	2	1		Each
515	Effectiveness (Steel Protective Coatings)	paint failure with spot rust	2	1	1	Square Feet

General Comments

Span 74 Beam 3

Prestressed Concrete Girder

Element Number	Element Name	Total Qty	CS1 Qty	CS2 Qty	CS3 Qty	CS4 Qty	
109	Prestressed Concrete Open Girder/Beam	60	58	2	0	0	Feet

Element Number	Defect Type	Defect Description	CS	CS Qty	Maint Qty	
109	Delamination/Spall	right bottom flange at bent 74, delamination [4in x 4in]	2	1	1	Feet
109	Patched Area	SPAN 74 BEAM 3 LEFT BOTTOM FLANGE OVER BENT 73. sound patch [5in x 7in]	2	1		Feet

General Comments

Span 74 Beam 3 Near Bearing

Fixed Bearing

Element Number	Element Name	Total Qty	CS1 Qty	CS2 Qty	CS3 Qty	CS4 Qty	
313	Fixed Bearing	1	0	1	0	0	Each
515	Steel Protective Coating	2	1	1	0	0	Square Feet

Element Number	Defect Type	Defect Description	CS	CS Qty	Maint Qty	
313	Corrosion	RUST STAINS COMING THROUGH PROTECTIVE COATING.	2	1		Each
515	Effectiveness (Steel Protective Coatings)	paint failure with spot rust	2	1	1	Square Feet

General Comments

Span 74 Beam 3 Far Bearing

Fixed Bearing

Element Number	Element Name	Total Qty	CS1 Qty	CS2 Qty	CS3 Qty	CS4 Qty	
313	Fixed Bearing	1	0	1	0	0	Each
515	Steel Protective Coating	2	1	1	0	0	Square Feet

Element Number	Defect Type	Defect Description	CS	CS Qty	Maint Qty	
313	Corrosion	RUST STAINS COMING THROUGH PROTECTIVE COATING.	2	1		Each
515	Effectiveness (Steel Protective Coatings)	paint failure with spot rust	2	1	1	Square Feet

General Comments

Span 74 Beam 4 Near Bearing

Fixed Bearing

Element Number	Element Name	Total Qty	CS1 Qty	CS2 Qty	CS3 Qty	CS4 Qty	
313	Fixed Bearing	1	0	1	0	0	Each
515	Steel Protective Coating	2	1	1	0	0	Square Feet

Element Number	Defect Type	Defect Description	CS	CS Qty	Maint Qty	
313	Corrosion	RUST STAINS COMING THROUGH PROTECTIVE COATING.	2	1		Each
515	Effectiveness (Steel Protective Coatings)	paint failure with spot rust	2	1	1	Square Feet

General Comments

Span 74 Beam 4 Far Bearing

Fixed Bearing

Element Number	Element Name	Total Qty	CS1 Qty	CS2 Qty	CS3 Qty	CS4 Qty	
313	Fixed Bearing	1	0	1	0	0	Each
515	Steel Protective Coating	2	1	1	0	0	Square Feet

Element Number	Defect Type	Defect Description	CS	CS Qty	Maint Qty	
----------------	-------------	--------------------	----	--------	-----------	--

Structure Number: 070007

Inspection Date: 03/03/2022

313	Corrosion	RUST STAINS COMING THROUGH PROTECTIVE COATING.	2	1	Each
515	Effectiveness (Steel Protective Coatings)	paint failure with spot rust	2	1	1 Square Feet

General Comments

Span 75 Beam 1 Near Bearing

Fixed Bearing

Element Number	Element Name	Total Qty	CS1 Qty	CS2 Qty	CS3 Qty	CS4 Qty
313	Fixed Bearing	1	0	1	0	0 Each
515	Steel Protective Coating	2	1	1	0	0 Square Feet

Element Number	Defect Type	Defect Description	CS	CS Qty	Maint Qty
313	Corrosion	RUST STAINS COMING THROUGH PROTECTIVE COATING.	2	1	Each
515	Effectiveness (Steel Protective Coatings)	paint failure with spot rust	2	1	1 Square Feet

General Comments

Span 75 Beam 1 Far Bearing

Fixed Bearing

Element Number	Element Name	Total Qty	CS1 Qty	CS2 Qty	CS3 Qty	CS4 Qty
313	Fixed Bearing	1	0	1	0	0 Each
515	Steel Protective Coating	2	1	1	0	0 Square Feet

Element Number	Defect Type	Defect Description	CS	CS Qty	Maint Qty
313	Corrosion	RUST STAINS COMING THROUGH PROTECTIVE COATING.	2	1	Each
515	Effectiveness (Steel Protective Coatings)	paint failure with spot rust	2	1	1 Square Feet

General Comments

Span 75 Beam 2

Prestressed Concrete Girder

Element Number	Element Name	Total Qty	CS1 Qty	CS2 Qty	CS3 Qty	CS4 Qty
109	Prestressed Concrete Open Girder/Beam	60	59	0	1	0 Feet

Element Number	Defect Type	Defect Description	CS	CS Qty	Maint Qty
109	Cracking (PSC)	SPAN 75 BEAM 2 RIGHT BOTTOM FLANGE OVER BENT 74. HAS A 1/16" WIDE CRACK x 8" LONG.	3	1	1 Feet

General Comments

Span 75 Beam 2 Near Bearing

Fixed Bearing

Element Number	Element Name	Total Qty	CS1 Qty	CS2 Qty	CS3 Qty	CS4 Qty
313	Fixed Bearing	1	0	1	0	0 Each
515	Steel Protective Coating	2	1	1	0	0 Square Feet

Element Number	Defect Type	Defect Description	CS	CS Qty	Maint Qty
----------------	-------------	--------------------	----	--------	-----------

Structure Number: 070007

Inspection Date: 03/03/2022

313	Corrosion	RUST STAINS COMING THROUGH PROTECTIVE COATING.	2	1	Each
515	Effectiveness (Steel Protective Coatings)	paint failure with spot rust	2	1	1 Square Feet

General Comments

Span 75 Beam 2 Far Bearing

Fixed Bearing

Element Number	Element Name	Total Qty	CS1 Qty	CS2 Qty	CS3 Qty	CS4 Qty
313	Fixed Bearing	1	0	1	0	0 Each
515	Steel Protective Coating	2	1	1	0	0 Square Feet

Element Number	Defect Type	Defect Description	CS	CS Qty	Maint Qty
313	Corrosion	RUST STAINS COMING THROUGH PROTECTIVE COATING.	2	1	Each
515	Effectiveness (Steel Protective Coatings)	paint failure with spot rust	2	1	1 Square Feet

General Comments

Span 75 Beam 3

Prestressed Concrete Girder

Element Number	Element Name	Total Qty	CS1 Qty	CS2 Qty	CS3 Qty	CS4 Qty
109	Prestressed Concrete Open Girder/Beam	60	59	1	0	0 Feet

Element Number	Defect Type	Defect Description	CS	CS Qty	Maint Qty
109	Patched Area	SPAN 75 BEAM 3 LEFT BOTTOM FLANGE OVER BENT 74. sound patch [4in x 7in]	2	1	Feet

General Comments

Span 75 Beam 3 Near Bearing

Fixed Bearing

Element Number	Element Name	Total Qty	CS1 Qty	CS2 Qty	CS3 Qty	CS4 Qty
313	Fixed Bearing	1	0	1	0	0 Each
515	Steel Protective Coating	2	1	1	0	0 Square Feet

Element Number	Defect Type	Defect Description	CS	CS Qty	Maint Qty
313	Corrosion	RUST STAINS COMING THROUGH PROTECTIVE COATING.	2	1	Each
515	Effectiveness (Steel Protective Coatings)	paint failure with spot rust	2	1	1 Square Feet

General Comments

Span 75 Beam 3 Far Bearing

Fixed Bearing

Element Number	Element Name	Total Qty	CS1 Qty	CS2 Qty	CS3 Qty	CS4 Qty
313	Fixed Bearing	1	0	1	0	0 Each
515	Steel Protective Coating	2	1	1	0	0 Square Feet

Element Number	Defect Type	Defect Description	CS	CS Qty	Maint Qty
----------------	-------------	--------------------	----	--------	-----------

Structure Number: 070007Inspection Date: 03/03/2022

313	Corrosion	RUST STAINS COMING THROUGH PROTECTIVE COATING.	2	1	Each
515	Effectiveness (Steel Protective Coatings)	paint failure with spot rust	2	1	1 Square Feet

General Comments

Span 75 Beam 4

Prestressed Concrete Girder

Element Number	Element Name	Total Qty	CS1 Qty	CS2 Qty	CS3 Qty	CS4 Qty	
109	Prestressed Concrete Open Girder/Beam	60	59	1	0	0	Feet

Element Number	Defect Type	Defect Description	CS	CS Qty	Maint Qty	
109	Patched Area	8" LONG X 6" TALL NEW REPAIR TO BOTTOM RIGHT FLANGE AT BENT 75	2	1		Feet
109	Delamination/Spall	East face of bottom flange at bent 75, spall [9in x 5in x 2in deep] with [2] two exposed rusted strands [up to 20% section loss] (REPAIRED PRIOR TO 2022 INSPECTION)	1			Feet

General Comments

Span 75 Beam 4 Near Bearing

Fixed Bearing

Element Number	Element Name	Total Qty	CS1 Qty	CS2 Qty	CS3 Qty	CS4 Qty	
313	Fixed Bearing	1	0	1	0	0	Each
515	Steel Protective Coating	2	1	1	0	0	Square Feet

Element Number	Defect Type	Defect Description	CS	CS Qty	Maint Qty	
313	Corrosion	RUST STAINS COMING THROUGH PROTECTIVE COATING.	2	1		Each
515	Effectiveness (Steel Protective Coatings)	paint failure with spot rust	2	1	1	Square Feet

General Comments

Span 75 Beam 4 Far Bearing

Fixed Bearing

Element Number	Element Name	Total Qty	CS1 Qty	CS2 Qty	CS3 Qty	CS4 Qty	
313	Fixed Bearing	1	0	1	0	0	Each
515	Steel Protective Coating	2	1	1	0	0	Square Feet

Element Number	Defect Type	Defect Description	CS	CS Qty	Maint Qty	
313	Corrosion	RUST STAINS COMING THROUGH PROTECTIVE COATING.	2	1		Each
515	Effectiveness (Steel Protective Coatings)	paint failure with spot rust	2	1	1	Square Feet

General Comments

Span 76

Beam 1

Prestressed Concrete Girder

Element Number	Element Name	Total Qty	CS1 Qty	CS2 Qty	CS3 Qty	CS4 Qty	
109	Prestressed Concrete Open Girder/Beam	60	58	2	0	0	Feet

Element Number	Defect Type	Defect Description	CS	CS Qty	Maint Qty	
109	Patched Area	24" LONG X 18" TALL NEW REPAIR TO BOTTOM LEFT FLANGE AT BENT 76	2	2		Feet
109	Patched Area	SPAN 76 BEAM 1 RIGHT BOTTOM FLANGE OVER BENT 76. sound patch [8in x 12in]	2			Feet
109	Delamination/Spall	West face of bottom flange at bent 76, spall [9in x 5in x 2in deep] with [2] two exposed rusted strands [up to 25% section loss] (REPAIRED PRIOR TO 2022 INSPECTION)	1			Feet

General Comments

Span 76

Beam 1 Near Bearing

Fixed Bearing

Element Number	Element Name	Total Qty	CS1 Qty	CS2 Qty	CS3 Qty	CS4 Qty	
313	Fixed Bearing	1	0	1	0	0	Each
515	Steel Protective Coating	2	1	1	0	0	Square Feet

Element Number	Defect Type	Defect Description	CS	CS Qty	Maint Qty	
313	Corrosion	RUST STAINS COMING THROUGH PROTECTIVE COATING.	2	1		Each
515	Effectiveness (Steel Protective Coatings)	paint failure with spot rust	2	1	1	Square Feet

General Comments

Span 76

Beam 1 Far Bearing

Fixed Bearing

Element Number	Element Name	Total Qty	CS1 Qty	CS2 Qty	CS3 Qty	CS4 Qty	
313	Fixed Bearing	1	0	1	0	0	Each
515	Steel Protective Coating	2	1	1	0	0	Square Feet

Element Number	Defect Type	Defect Description	CS	CS Qty	Maint Qty	
313	Corrosion	RUST STAINS COMING THROUGH PROTECTIVE COATING.	2	1		Each
515	Effectiveness (Steel Protective Coatings)	paint failure with spot rust	2	1	1	Square Feet

General Comments

Span 76

Beam 2 Near Bearing

Fixed Bearing

Element Number	Element Name	Total Qty	CS1 Qty	CS2 Qty	CS3 Qty	CS4 Qty	
313	Fixed Bearing	1	0	1	0	0	Each
515	Steel Protective Coating	2	1	1	0	0	Square Feet

Element Number	Defect Type	Defect Description	CS	CS Qty	Maint Qty	
313	Corrosion	RUST STAINS COMING THROUGH PROTECTIVE COATING.	2	1		Each

Structure Number: 070007

Inspection Date: 03/03/2022

515	Effectiveness (Steel Protective Coatings)	paint failure with spot rust	2	1	1	Square Feet
General Comments						

Span 76 **Beam 2 Far Bearing**
Fixed Bearing

Element Number	Element Name	Total Qty	CS1 Qty	CS2 Qty	CS3 Qty	CS4 Qty
313	Fixed Bearing	1	0	1	0	0 Each
515	Steel Protective Coating	2	1	1	0	0 Square Feet

Element Number	Defect Type	Defect Description	CS	CS Qty	Maint Qty
313	Corrosion	RUST STAINS COMING THROUGH PROTECTIVE COATING.	2	1	Each
515	Effectiveness (Steel Protective Coatings)	paint failure with spot rust	2	1	1 Square Feet
General Comments					

Span 76 **Beam 3**
Prestressed Concrete Girder

Element Number	Element Name	Total Qty	CS1 Qty	CS2 Qty	CS3 Qty	CS4 Qty
109	Prestressed Concrete Open Girder/Beam	60	58	2	0	0 Feet

Element Number	Defect Type	Defect Description	CS	CS Qty	Maint Qty
109	Patched Area	SPAN 76 BEAM 3 RIGHT BOTTOM FLANGE OVER BENT 76. sound patch	2	2	Feet
General Comments					

Span 76 **Beam 3 Near Bearing**
Fixed Bearing

Element Number	Element Name	Total Qty	CS1 Qty	CS2 Qty	CS3 Qty	CS4 Qty
313	Fixed Bearing	1	0	1	0	0 Each
515	Steel Protective Coating	2	1	1	0	0 Square Feet

Element Number	Defect Type	Defect Description	CS	CS Qty	Maint Qty
313	Corrosion	RUST STAINS COMING THROUGH PROTECTIVE COATING.	2	1	Each
515	Effectiveness (Steel Protective Coatings)	paint failure with spot rust	2	1	1 Square Feet
General Comments					

Span 76 **Beam 3 Far Bearing**
Fixed Bearing

Element Number	Element Name	Total Qty	CS1 Qty	CS2 Qty	CS3 Qty	CS4 Qty
313	Fixed Bearing	1	0	1	0	0 Each
515	Steel Protective Coating	2	1	1	0	0 Square Feet

Element Number	Defect Type	Defect Description	CS	CS Qty	Maint Qty
313	Corrosion	RUST STAINS COMING THROUGH PROTECTIVE COATING.	2	1	Each

515	Effectiveness (Steel Protective Coatings)	paint failure with spot rust	2	1	1	Square Feet
General Comments						

Span 76 Beam 4

Prestressed Concrete Girder

Element Number	Element Name	Total Qty	CS1 Qty	CS2 Qty	CS3 Qty	CS4 Qty	
109	Prestressed Concrete Open Girder/Beam	60	59	1	0	0	Feet
Element Number	Defect Type	Defect Description	CS	CS Qty	Maint Qty		
109	Patched Area	12" LONG X 10" TALL NEW REPAIR TO BOTTOM RIGHT FLANGE AT BENT 76	2	1		Feet	
109	Delamination/Spall	East face of bottom flange at bent 76, spall [9in x 5in x 2in deep] with [2] two exposed rusted strands [up to 10% section loss] (REPAIRED PRIOR TO 2022 INSPECTION)	1			Feet	
General Comments							

Span 76 Beam 4 Near Bearing

Fixed Bearing

Element Number	Element Name	Total Qty	CS1 Qty	CS2 Qty	CS3 Qty	CS4 Qty	
313	Fixed Bearing	1	0	1	0	0	Each
515	Steel Protective Coating	2	1	1	0	0	Square Feet
Element Number	Defect Type	Defect Description	CS	CS Qty	Maint Qty		
313	Corrosion	RUST STAINS COMING THROUGH PROTECTIVE COATING.	2	1		Each	
515	Effectiveness (Steel Protective Coatings)	paint failure with spot rust	2	1	1	Square Feet	
General Comments							

Span 76 Beam 4 Far Bearing

Fixed Bearing

Element Number	Element Name	Total Qty	CS1 Qty	CS2 Qty	CS3 Qty	CS4 Qty	
313	Fixed Bearing	1	0	1	0	0	Each
515	Steel Protective Coating	2	1	1	0	0	Square Feet
Element Number	Defect Type	Defect Description	CS	CS Qty	Maint Qty		
313	Corrosion	RUST STAINS COMING THROUGH PROTECTIVE COATING.	2	1		Each	
515	Effectiveness (Steel Protective Coatings)	paint failure with spot rust	2	1	1	Square Feet	
General Comments							

Span 77 Deck

Reinforced Concrete Deck

Element Number	Element Name	Total Qty	CS1 Qty	CS2 Qty	CS3 Qty	CS4 Qty	
12	Reinforced Concrete Deck	2,022	1,987	35	0	0	Square Feet
Element Number	Defect Type	Defect Description	CS	CS Qty	Maint Qty		

12	Cracking (RC and Other)	throughout surface, multiple longitudinal cracks and transverse cracks [1/32in x 2ft]	2	35	35 Square Feet
----	-------------------------	---	---	----	----------------

General Comments

Span 77 Beam 1

Prestressed Concrete Girder

Element Number	Element Name	Total Qty	CS1 Qty	CS2 Qty	CS3 Qty	CS4 Qty	
109	Prestressed Concrete Open Girder/Beam	60	58	2	0	0	Feet

Element Number	Defect Type	Defect Description	CS	CS Qty	Maint Qty	
109	Patched Area	SPAN 77 BEAM 1 RIGHT BOTTOM FLANGE OVER BENT 76. sound patch [6in x 12in]	2	1		Feet
109	Patched Area	10" LONG X 10" TALL NEW REPAIR TO BOTTOM LEFT FLANGE AT BENT 76	2	1		Feet
109	Delamination/Spall	West face of bottom flange at bent 76, spall [11in x 8in x 2in deep] with [2] two exposed rusted strands [up to 20% section loss] (PREVIOUSLY MENTIONED AT BENT 77, ACTUALLY AT BENT 76) (REPAIRED PRIOR TO 2022 INSPECTION)	1			Feet

General Comments

NO SPALL ON BOTTOM LEFT FLANGE AT BENT 77. DEFECT FOUND ON BOTTOM LEFT FLANGE AT BENT 76

Span 77 Beam 1 Near Bearing

Fixed Bearing

Element Number	Element Name	Total Qty	CS1 Qty	CS2 Qty	CS3 Qty	CS4 Qty	
313	Fixed Bearing	1	0	1	0	0	Each
515	Steel Protective Coating	2	1	1	0	0	Square Feet

Element Number	Defect Type	Defect Description	CS	CS Qty	Maint Qty	
313	Corrosion	RUST STAINS COMING THROUGH PROTECTIVE COATING.	2	1		Each
515	Effectiveness (Steel Protective Coatings)	paint failure with spot rust	2	1	1	Square Feet

General Comments

Span 77 Beam 1 Far Bearing

Fixed Bearing

Element Number	Element Name	Total Qty	CS1 Qty	CS2 Qty	CS3 Qty	CS4 Qty	
313	Fixed Bearing	1	0	1	0	0	Each
515	Steel Protective Coating	2	1	1	0	0	Square Feet

Element Number	Defect Type	Defect Description	CS	CS Qty	Maint Qty	
313	Corrosion	RUST STAINS COMING THROUGH PROTECTIVE COATING.	2	1		Each
515	Effectiveness (Steel Protective Coatings)	paint failure with spot rust	2	1	1	Square Feet

General Comments

Span 77 **Beam 2 Near Bearing**
Fixed Bearing

Element Number	Element Name	Total Qty	CS1 Qty	CS2 Qty	CS3 Qty	CS4 Qty	
313	Fixed Bearing	1	0	1	0	0	Each
515	Steel Protective Coating	2	1	1	0	0	Square Feet

Element Number	Defect Type	Defect Description	CS	CS Qty	Maint Qty	
313	Corrosion	RUST STAINS COMING THROUGH PROTECTIVE COATING.	2	1		Each
515	Effectiveness (Steel Protective Coatings)	paint failure with spot rust	2	1	1	Square Feet

General Comments

Span 77 **Beam 2 Far Bearing**
Fixed Bearing

Element Number	Element Name	Total Qty	CS1 Qty	CS2 Qty	CS3 Qty	CS4 Qty	
313	Fixed Bearing	1	0	1	0	0	Each
515	Steel Protective Coating	2	1	1	0	0	Square Feet

Element Number	Defect Type	Defect Description	CS	CS Qty	Maint Qty	
313	Corrosion	RUST STAINS COMING THROUGH PROTECTIVE COATING.	2	1		Each
515	Effectiveness (Steel Protective Coatings)	paint failure with spot rust	2	1	1	Square Feet

General Comments

Span 77 **Beam 3 Near Bearing**
Fixed Bearing

Element Number	Element Name	Total Qty	CS1 Qty	CS2 Qty	CS3 Qty	CS4 Qty	
313	Fixed Bearing	1	0	1	0	0	Each
515	Steel Protective Coating	2	1	1	0	0	Square Feet

Element Number	Defect Type	Defect Description	CS	CS Qty	Maint Qty	
313	Corrosion	RUST STAINS COMING THROUGH PROTECTIVE COATING.	2	1		Each
515	Effectiveness (Steel Protective Coatings)	paint failure with spot rust	2	1	1	Square Feet

General Comments

Span 77 **Beam 3 Far Bearing**
Fixed Bearing

Element Number	Element Name	Total Qty	CS1 Qty	CS2 Qty	CS3 Qty	CS4 Qty	
313	Fixed Bearing	1	0	1	0	0	Each
515	Steel Protective Coating	2	1	1	0	0	Square Feet

Element Number	Defect Type	Defect Description	CS	CS Qty	Maint Qty	
313	Corrosion	RUST STAINS COMING THROUGH PROTECTIVE COATING.	2	1		Each
515	Effectiveness (Steel Protective Coatings)	paint failure with spot rust	2	1	1	Square Feet

General Comments

Span 77 Beam 4

Prestressed Concrete Girder

Element Number	Element Name	Total Qty	CS1 Qty	CS2 Qty	CS3 Qty	CS4 Qty	
109	Prestressed Concrete Open Girder/Beam	60	58	2	0	0	Feet

Element Number	Defect Type	Defect Description	CS	CS Qty	Maint Qty	
109	Patched Area	SPAN 77 BEAM 4 LEFT BOTTOM FLANGE OVER BENT 76. sound patch [7in x 10in]	2	1		Feet
109	Patched Area	SPAN 77 BEAM LEFT BOTTOM FLANGE OVER BENT 77. sound patch [9in x 11in]	2	1		Feet

General Comments

Span 77 Beam 4 Near Bearing

Fixed Bearing

Element Number	Element Name	Total Qty	CS1 Qty	CS2 Qty	CS3 Qty	CS4 Qty	
313	Fixed Bearing	1	0	1	0	0	Each
515	Steel Protective Coating	2	1	1	0	0	Square Feet

Element Number	Defect Type	Defect Description	CS	CS Qty	Maint Qty	
313	Corrosion	RUST STAINS COMING THROUGH PROTECTIVE COATING.	2	1		Each
515	Effectiveness (Steel Protective Coatings)	paint failure with spot rust	2	1	1	Square Feet

General Comments

Span 77 Beam 4 Far Bearing

Fixed Bearing

Element Number	Element Name	Total Qty	CS1 Qty	CS2 Qty	CS3 Qty	CS4 Qty	
313	Fixed Bearing	1	0	1	0	0	Each
515	Steel Protective Coating	2	1	1	0	0	Square Feet

Element Number	Defect Type	Defect Description	CS	CS Qty	Maint Qty	
313	Corrosion	RUST STAINS COMING THROUGH PROTECTIVE COATING.	2	1		Each
515	Effectiveness (Steel Protective Coatings)	paint failure with spot rust	2	1	1	Square Feet

General Comments

Span 78 Deck

Reinforced Concrete Deck

Element Number	Element Name	Total Qty	CS1 Qty	CS2 Qty	CS3 Qty	CS4 Qty	
12	Reinforced Concrete Deck	2,022	1,822	200	0	0	Square Feet

Element Number	Defect Type	Defect Description	CS	CS Qty	Maint Qty	
12	Cracking (RC and Other)	SPAN 78 BOTTOM OF DECK HAS SCATTERED MAP CRACKING.	2	200	200	Square Feet

12	Cracking (RC and Other)	throughout surface, hairline map cracking	1	140	Square Feet
General Comments					

Span 78 Beam 1 Near Bearing

Fixed Bearing

Element Number	Element Name	Total Qty	CS1 Qty	CS2 Qty	CS3 Qty	CS4 Qty
313	Fixed Bearing	1	0	1	0	0 Each
515	Steel Protective Coating	2	1	1	0	0 Square Feet

Element Number	Defect Type	Defect Description	CS	CS Qty	Maint Qty
313	Corrosion	RUST STAINS COMING THROUGH PROTECTIVE COATING.	2	1	Each
515	Effectiveness (Steel Protective Coatings)	paint failure with spot rust	2	1	1 Square Feet

General Comments

Span 78 Beam 1 Far Bearing

Fixed Bearing

Element Number	Element Name	Total Qty	CS1 Qty	CS2 Qty	CS3 Qty	CS4 Qty
313	Fixed Bearing	1	0	1	0	0 Each
515	Steel Protective Coating	2	1	1	0	0 Square Feet

Element Number	Defect Type	Defect Description	CS	CS Qty	Maint Qty
313	Corrosion	RUST STAINS COMING THROUGH PROTECTIVE COATING.	2	1	Each
515	Effectiveness (Steel Protective Coatings)	paint failure with spot rust	2	1	1 Square Feet

General Comments

Span 78 Beam 2 Near Bearing

Fixed Bearing

Element Number	Element Name	Total Qty	CS1 Qty	CS2 Qty	CS3 Qty	CS4 Qty
313	Fixed Bearing	1	0	1	0	0 Each
515	Steel Protective Coating	2	2	0	0	0 Square Feet

Element Number	Defect Type	Defect Description	CS	CS Qty	Maint Qty
313	Corrosion	RUST STAINS COMING THROUGH PROTECTIVE COATING.	2	1	Each

General Comments

Span 78 Beam 2 Far Bearing

Fixed Bearing

Element Number	Element Name	Total Qty	CS1 Qty	CS2 Qty	CS3 Qty	CS4 Qty
313	Fixed Bearing	1	0	1	0	0 Each
515	Steel Protective Coating	2	1	1	0	0 Square Feet

Element Number	Defect Type	Defect Description	CS	CS Qty	Maint Qty
----------------	-------------	--------------------	----	--------	-----------

313	Corrosion	RUST STAINS COMING THROUGH PROTECTIVE COATING.	2	1	Each
515	Effectiveness (Steel Protective Coatings)	paint failure with spot rust	2	1	1 Square Feet

General Comments

Span 78 Beam 3 Near Bearing

Fixed Bearing

Element Number	Element Name	Total Qty	CS1 Qty	CS2 Qty	CS3 Qty	CS4 Qty
313	Fixed Bearing	1	0	1	0	0 Each
515	Steel Protective Coating	2	1	1	0	0 Square Feet

Element Number	Defect Type	Defect Description	CS	CS Qty	Maint Qty
313	Corrosion	RUST STAINS COMING THROUGH PROTECTIVE COATING.	2	1	Each
515	Effectiveness (Steel Protective Coatings)	paint failure with spot rust	2	1	1 Square Feet

General Comments

Span 78 Beam 3 Far Bearing

Fixed Bearing

Element Number	Element Name	Total Qty	CS1 Qty	CS2 Qty	CS3 Qty	CS4 Qty
313	Fixed Bearing	1	0	1	0	0 Each
515	Steel Protective Coating	2	1	1	0	0 Square Feet

Element Number	Defect Type	Defect Description	CS	CS Qty	Maint Qty
313	Corrosion	RUST STAINS COMING THROUGH PROTECTIVE COATING.	2	1	Each
515	Effectiveness (Steel Protective Coatings)	paint failure with spot rust	2	1	1 Square Feet

General Comments

Span 78 Beam 4

Prestressed Concrete Girder

Element Number	Element Name	Total Qty	CS1 Qty	CS2 Qty	CS3 Qty	CS4 Qty
109	Prestressed Concrete Open Girder/Beam	60	59	0	1	0 Feet

Element Number	Defect Type	Defect Description	CS	CS Qty	Maint Qty
109	Delamination/Spall	bottom right flange at bent 77, spall [8in x 8in x 2in] with [2] two exposed rusted strands [no section loss]	3	1	1 Feet
109	Cracking (PSC)	SPAN 78 BEAM 4 LEFT BOTTOM FLANGE OVER BENT 78. HAS A 10" LONG HAIRLINE CRACK.	1	1	Feet

General Comments

Span 78 Beam 4 Near Bearing

Fixed Bearing

Element Number	Element Name	Total Qty	CS1 Qty	CS2 Qty	CS3 Qty	CS4 Qty	
313	Fixed Bearing	1	0	1	0	0	Each
515	Steel Protective Coating	2	1	1	0	0	Square Feet

Element Number	Defect Type	Defect Description	CS	CS Qty	Maint Qty	
313	Corrosion	RUST STAINS COMING THROUGH PROTECTIVE COATING.	2	1		Each
515	Effectiveness (Steel Protective Coatings)	paint failure with spot rust	2	1	1	Square Feet

General Comments

Span 78 Beam 4 Far Bearing

Fixed Bearing

Element Number	Element Name	Total Qty	CS1 Qty	CS2 Qty	CS3 Qty	CS4 Qty	
313	Fixed Bearing	1	0	1	0	0	Each
515	Steel Protective Coating	2	1	1	0	0	Square Feet

Element Number	Defect Type	Defect Description	CS	CS Qty	Maint Qty	
313	Corrosion	RUST STAINS COMING THROUGH PROTECTIVE COATING.	2	1		Each
515	Effectiveness (Steel Protective Coatings)	paint failure with spot rust	2	1	1	Square Feet

General Comments

Span 79 Deck

Reinforced Concrete Deck

Element Number	Element Name	Total Qty	CS1 Qty	CS2 Qty	CS3 Qty	CS4 Qty	
12	Reinforced Concrete Deck	2,022	1,716	306	0	0	Square Feet

Element Number	Defect Type	Defect Description	CS	CS Qty	Maint Qty	
12	Cracking (RC and Other)	SPAN 79 BOTTOM OF DECK HAS SCATTERED MAP CRACKING.	2	300	300	Square Feet
12	Patched Areas	in both lanes at bent 79, multiple sound patches [up to 2ft x 6in]	2	6		Square Feet

General Comments

Span 79 Beam 1 Near Bearing

Fixed Bearing

Element Number	Element Name	Total Qty	CS1 Qty	CS2 Qty	CS3 Qty	CS4 Qty	
313	Fixed Bearing	1	0	1	0	0	Each
515	Steel Protective Coating	2	1	1	0	0	Square Feet

Element Number	Defect Type	Defect Description	CS	CS Qty	Maint Qty	
313	Corrosion	RUST STAINS COMING THROUGH PROTECTIVE COATING.	2	1		Each
515	Effectiveness (Steel Protective Coatings)	paint failure with spot rust	2	1	1	Square Feet

General Comments

Span 79 **Beam 1 Far Bearing****Fixed Bearing**

Element Number	Element Name	Total Qty	CS1 Qty	CS2 Qty	CS3 Qty	CS4 Qty	
313	Fixed Bearing	1	0	1	0	0	Each
515	Steel Protective Coating	2	1	1	0	0	Square Feet

Element Number	Defect Type	Defect Description	CS	CS Qty	Maint Qty	
313	Corrosion	RUST STAINS COMING THROUGH PROTECTIVE COATING.	2	1		Each
515	Effectiveness (Steel Protective Coatings)	paint failure with spot rust	2	1	1	Square Feet

General Comments

Span 79 **Beam 2 Near Bearing****Fixed Bearing**

Element Number	Element Name	Total Qty	CS1 Qty	CS2 Qty	CS3 Qty	CS4 Qty	
313	Fixed Bearing	1	0	1	0	0	Each
515	Steel Protective Coating	2	1	1	0	0	Square Feet

Element Number	Defect Type	Defect Description	CS	CS Qty	Maint Qty	
313	Corrosion	RUST STAINS COMING THROUGH PROTECTIVE COATING.	2	1		Each
515	Effectiveness (Steel Protective Coatings)	paint failure with spot rust	2	1	1	Square Feet

General Comments

Span 79 **Beam 2 Far Bearing****Fixed Bearing**

Element Number	Element Name	Total Qty	CS1 Qty	CS2 Qty	CS3 Qty	CS4 Qty	
313	Fixed Bearing	1	0	1	0	0	Each
515	Steel Protective Coating	2	1	1	0	0	Square Feet

Element Number	Defect Type	Defect Description	CS	CS Qty	Maint Qty	
313	Corrosion	RUST STAINS COMING THROUGH PROTECTIVE COATING.	2	1		Each
515	Effectiveness (Steel Protective Coatings)	paint failure with spot rust	2	1	1	Square Feet

General Comments

Span 79 **Beam 3****Prestressed Concrete Girder**

Element Number	Element Name	Total Qty	CS1 Qty	CS2 Qty	CS3 Qty	CS4 Qty	
109	Prestressed Concrete Open Girder/Beam	60	59	1	0	0	Feet

Element Number	Defect Type	Defect Description	CS	CS Qty	Maint Qty	
109	Patched Area	SPAN 79 BEAM 3 RIGHT BOTTOM FLANGE OVER BENT 78. sound patch [8in x 10in]	2	1		Feet

General Comments

Span 79 **Beam 3 Near Bearing**
Fixed Bearing

Element Number	Element Name	Total Qty	CS1 Qty	CS2 Qty	CS3 Qty	CS4 Qty	
313	Fixed Bearing	1	0	1	0	0	Each
515	Steel Protective Coating	2	1	1	0	0	Square Feet

Element Number	Defect Type	Defect Description	CS	CS Qty	Maint Qty	
313	Corrosion	RUST STAINS COMING THROUGH PROTECTIVE COATING.	2	1		Each
515	Effectiveness (Steel Protective Coatings)	paint failure with spot rust	2	1	1	Square Feet

General Comments

Span 79 **Beam 3 Far Bearing**
Fixed Bearing

Element Number	Element Name	Total Qty	CS1 Qty	CS2 Qty	CS3 Qty	CS4 Qty	
313	Fixed Bearing	1	0	1	0	0	Each
515	Steel Protective Coating	2	1	1	0	0	Square Feet

Element Number	Defect Type	Defect Description	CS	CS Qty	Maint Qty	
313	Corrosion	RUST STAINS COMING THROUGH PROTECTIVE COATING.	2	1		Each
515	Effectiveness (Steel Protective Coatings)	paint failure with spot rust	2	1	1	Square Feet

General Comments

Span 79 **Beam 4**
Prestressed Concrete Girder

Element Number	Element Name	Total Qty	CS1 Qty	CS2 Qty	CS3 Qty	CS4 Qty	
109	Prestressed Concrete Open Girder/Beam	60	59	1	0	0	Feet

Element Number	Defect Type	Defect Description	CS	CS Qty	Maint Qty	
109	Patched Area	SPAN 79 BEAM 4 LEFT BOTTOM FLANGE OVER BENT 78. sound patch [7in x 9in]	2	1		Feet

General Comments

Span 79 **Beam 4 Near Bearing**
Fixed Bearing

Element Number	Element Name	Total Qty	CS1 Qty	CS2 Qty	CS3 Qty	CS4 Qty	
313	Fixed Bearing	1	0	1	0	0	Each
515	Steel Protective Coating	2	1	1	0	0	Square Feet

Element Number	Defect Type	Defect Description	CS	CS Qty	Maint Qty	
313	Corrosion	RUST STAINS COMING THROUGH PROTECTIVE COATING.	2	1		Each
515	Effectiveness (Steel Protective Coatings)	paint failure with spot rust	2	1	1	Square Feet

General Comments

Span 79 **Beam 4 Far Bearing**
Fixed Bearing

Element Number	Element Name	Total Qty	CS1 Qty	CS2 Qty	CS3 Qty	CS4 Qty
313	Fixed Bearing	1	0	1	0	0 Each
515	Steel Protective Coating	2	1	1	0	0 Square Feet

Element Number	Defect Type	Defect Description	CS	CS Qty	Maint Qty
313	Corrosion	RUST STAINS COMING THROUGH PROTECTIVE COATING.	2	1	Each
515	Effectiveness (Steel Protective Coatings)	paint failure with spot rust	2	1	1 Square Feet

General Comments

Span 80 **Deck**
Reinforced Concrete Deck

Element Number	Element Name	Total Qty	CS1 Qty	CS2 Qty	CS3 Qty	CS4 Qty
12	Reinforced Concrete Deck	2,022	1,748	274	0	0 Square Feet

Element Number	Defect Type	Defect Description	CS	CS Qty	Maint Qty
12	Cracking (RC and Other)	SPAN 80 BOTTOM OF DECK HAS SCATTERED MAP CRACKING.	2	250	250 Square Feet
12	Cracking (RC and Other)	throughout surface, multiple longitudinal cracks [1/32in x 1ft]	2	24	24 Square Feet

General Comments

Span 80 **Beam 1**
Prestressed Concrete Girder

Element Number	Element Name	Total Qty	CS1 Qty	CS2 Qty	CS3 Qty	CS4 Qty
109	Prestressed Concrete Open Girder/Beam	60	59	0	1	0 Feet

Element Number	Defect Type	Defect Description	CS	CS Qty	Maint Qty
109	Delamination/Spall	SPAN 80 BEAM 1 RIGHT END OVER BENT 80. HAS A CRACK/SPALL AND DELAMINATED AREA. AREA IS: 2" x 4" x 3" DEEP.	3	1	1 Feet

General Comments

Span 80 **Beam 1 Near Bearing**
Fixed Bearing

Element Number	Element Name	Total Qty	CS1 Qty	CS2 Qty	CS3 Qty	CS4 Qty
313	Fixed Bearing	1	0	1	0	0 Each
515	Steel Protective Coating	2	1	1	0	0 Square Feet

Element Number	Defect Type	Defect Description	CS	CS Qty	Maint Qty
313	Corrosion	RUST STAINS COMING THROUGH PROTECTIVE COATING.	2	1	Each
515	Effectiveness (Steel Protective Coatings)	paint failure with spot rust	2	1	1 Square Feet

General Comments

Span 80 **Beam 1 Far Bearing****Fixed Bearing**

Element Number	Element Name	Total Qty	CS1 Qty	CS2 Qty	CS3 Qty	CS4 Qty	
313	Fixed Bearing	1	0	1	0	0	Each
515	Steel Protective Coating	2	1	1	0	0	Square Feet

Element Number	Defect Type	Defect Description	CS	CS Qty	Maint Qty	
313	Corrosion	RUST STAINS COMING THROUGH PROTECTIVE COATING.	2	1		Each
515	Effectiveness (Steel Protective Coatings)	paint failure with spot rust	2	1	1	Square Feet

General Comments

Span 80 **Beam 2****Prestressed Concrete Girder**

Element Number	Element Name	Total Qty	CS1 Qty	CS2 Qty	CS3 Qty	CS4 Qty	
109	Prestressed Concrete Open Girder/Beam	60	58	0	2	0	Feet

Element Number	Defect Type	Defect Description	CS	CS Qty	Maint Qty	
109	Delamination/Spall	SPAN 80 BEAM 2 LEFT BOTTOM FLANGE OVER BENT 79. HAS A CRACK/SPALL AND DELAMINATED AREA. AREA IS: 4" x 8" x 1" DEEP.	3	1	1	Feet
109	Delamination/Spall	SPAN 80 BEAM 2 RIGHT BOTTOM FLANGE OVER BENT 80. HAS A SPALL. AREA IS: 7" x 9" x 2" DEEP.	3	1	1	Feet

General Comments

Span 80 **Beam 2 Near Bearing****Fixed Bearing**

Element Number	Element Name	Total Qty	CS1 Qty	CS2 Qty	CS3 Qty	CS4 Qty	
313	Fixed Bearing	1	0	1	0	0	Each
515	Steel Protective Coating	2	1	1	0	0	Square Feet

Element Number	Defect Type	Defect Description	CS	CS Qty	Maint Qty	
313	Corrosion	RUST STAINS COMING THROUGH PROTECTIVE COATING.	2	1		Each
515	Effectiveness (Steel Protective Coatings)	paint failure with spot rust	2	1	1	Square Feet

General Comments

Span 80 **Beam 2 Far Bearing****Fixed Bearing**

Element Number	Element Name	Total Qty	CS1 Qty	CS2 Qty	CS3 Qty	CS4 Qty	
313	Fixed Bearing	1	0	1	0	0	Each
515	Steel Protective Coating	2	1	1	0	0	Square Feet

Element Number	Defect Type	Defect Description	CS	CS Qty	Maint Qty	
313	Corrosion	RUST STAINS COMING THROUGH PROTECTIVE COATING.	2	1		Each

515	Effectiveness (Steel Protective Coatings)	paint failure with spot rust	2	1	1	1	Square Feet
General Comments							

Span 80 **Beam 3 Near Bearing**
Fixed Bearing

Element Number	Element Name	Total Qty	CS1 Qty	CS2 Qty	CS3 Qty	CS4 Qty	
313	Fixed Bearing	1	0	1	0	0	Each
515	Steel Protective Coating	2	1	1	0	0	Square Feet
Element Number	Defect Type	Defect Description	CS	CS Qty	Maint Qty		
313	Corrosion	RUST STAINS COMING THROUGH PROTECTIVE COATING.	2	1		Each	
515	Effectiveness (Steel Protective Coatings)	paint failure with spot rust	2	1	1	Square Feet	
General Comments							

Span 80 **Beam 3 Far Bearing**
Fixed Bearing

Element Number	Element Name	Total Qty	CS1 Qty	CS2 Qty	CS3 Qty	CS4 Qty	
313	Fixed Bearing	1	0	1	0	0	Each
515	Steel Protective Coating	2	1	1	0	0	Square Feet
Element Number	Defect Type	Defect Description	CS	CS Qty	Maint Qty		
313	Corrosion	RUST STAINS COMING THROUGH PROTECTIVE COATING.	2	1		Each	
515	Effectiveness (Steel Protective Coatings)	paint failure with spot rust	2	1	1	Square Feet	
General Comments							

Span 80 **Beam 4 Near Bearing**
Fixed Bearing

Element Number	Element Name	Total Qty	CS1 Qty	CS2 Qty	CS3 Qty	CS4 Qty	
313	Fixed Bearing	1	0	1	0	0	Each
515	Steel Protective Coating	2	1	1	0	0	Square Feet
Element Number	Defect Type	Defect Description	CS	CS Qty	Maint Qty		
313	Corrosion	RUST STAINS COMING THROUGH PROTECTIVE COATING.	2	1		Each	
515	Effectiveness (Steel Protective Coatings)	paint failure with spot rust	2	1	1	Square Feet	
General Comments							

Span 80 Beam 4 Far Bearing

Fixed Bearing

Element Number	Element Name	Total Qty	CS1 Qty	CS2 Qty	CS3 Qty	CS4 Qty	
313	Fixed Bearing	1	0	1	0	0	Each
515	Steel Protective Coating	2	1	1	0	0	Square Feet

Element Number	Defect Type	Defect Description	CS	CS Qty	Maint Qty	
313	Corrosion	RUST STAINS COMING THROUGH PROTECTIVE COATING.	2	1		Each
515	Effectiveness (Steel Protective Coatings)	paint failure with spot rust	2	1	1	Square Feet

General Comments

Span 81 Deck

Reinforced Concrete Deck

Element Number	Element Name	Total Qty	CS1 Qty	CS2 Qty	CS3 Qty	CS4 Qty	
12	Reinforced Concrete Deck	2,022	1,710	312	0	0	Square Feet

Element Number	Defect Type	Defect Description	CS	CS Qty	Maint Qty	
12	Cracking (RC and Other)	SPAN 81 BOTTOM OF DECK HAS SCATTERED MAP CRACKING.	2	250	250	Square Feet
12	Cracking (RC and Other)	throughout surface, multiple longitudinal cracks [1/32in x 8ft]	2	60	60	Square Feet
12	Patched Areas	in left lane at bent 81, sound patch [2ft x 6in]	2	2		Square Feet

General Comments

Span 81 Beam 1

Prestressed Concrete Girder

Element Number	Element Name	Total Qty	CS1 Qty	CS2 Qty	CS3 Qty	CS4 Qty	
109	Prestressed Concrete Open Girder/Beam	60	59	0	1	0	Feet

Element Number	Defect Type	Defect Description	CS	CS Qty	Maint Qty	
109	Cracking (PSC)	SPAN 81 BEAM 1 RIGHT BOTTOM FLANGE OVER BENT 81. HAS A 1/16" CRACK x 8" LONG.	3	1	1	Feet

General Comments

Span 81 Beam 1 Near Bearing

Fixed Bearing

Element Number	Element Name	Total Qty	CS1 Qty	CS2 Qty	CS3 Qty	CS4 Qty	
313	Fixed Bearing	1	0	1	0	0	Each
515	Steel Protective Coating	2	1	1	0	0	Square Feet

Element Number	Defect Type	Defect Description	CS	CS Qty	Maint Qty	
313	Corrosion	RUST STAINS COMING THROUGH PROTECTIVE COATING.	2	1		Each
515	Effectiveness (Steel Protective Coatings)	paint failure with spot rust	2	1	1	Square Feet

General Comments

Span 81 Beam 1 Far Bearing

Fixed Bearing

Element Number	Element Name	Total Qty	CS1 Qty	CS2 Qty	CS3 Qty	CS4 Qty	
313	Fixed Bearing	1	0	1	0	0	Each
515	Steel Protective Coating	2	1	1	0	0	Square Feet

Element Number	Defect Type	Defect Description	CS	CS Qty	Maint Qty	
313	Corrosion	RUST STAINS COMING THROUGH PROTECTIVE COATING.	2	1		Each
515	Effectiveness (Steel Protective Coatings)	paint failure with spot rust	2	1	1	Square Feet

General Comments

Span 81 Beam 2 Near Bearing

Fixed Bearing

Element Number	Element Name	Total Qty	CS1 Qty	CS2 Qty	CS3 Qty	CS4 Qty	
313	Fixed Bearing	1	0	1	0	0	Each
515	Steel Protective Coating	2	1	1	0	0	Square Feet

Element Number	Defect Type	Defect Description	CS	CS Qty	Maint Qty	
313	Corrosion	RUST STAINS COMING THROUGH PROTECTIVE COATING.	2	1		Each
515	Effectiveness (Steel Protective Coatings)	paint failure with spot rust	2	1	1	Square Feet

General Comments

Span 81 Beam 2 Far Bearing

Fixed Bearing

Element Number	Element Name	Total Qty	CS1 Qty	CS2 Qty	CS3 Qty	CS4 Qty	
313	Fixed Bearing	1	0	1	0	0	Each
515	Steel Protective Coating	2	1	1	0	0	Square Feet

Element Number	Defect Type	Defect Description	CS	CS Qty	Maint Qty	
313	Corrosion	RUST STAINS COMING THROUGH PROTECTIVE COATING.	2	1		Each
515	Effectiveness (Steel Protective Coatings)	paint failure with spot rust	2	1	1	Square Feet

General Comments

Span 81 Beam 3 Near Bearing

Fixed Bearing

Element Number	Element Name	Total Qty	CS1 Qty	CS2 Qty	CS3 Qty	CS4 Qty	
313	Fixed Bearing	1	0	1	0	0	Each
515	Steel Protective Coating	2	1	1	0	0	Square Feet

Element Number	Defect Type	Defect Description	CS	CS Qty	Maint Qty	
313	Corrosion	RUST STAINS COMING THROUGH PROTECTIVE COATING.	2	1		Each
515	Effectiveness (Steel Protective Coatings)	paint failure with spot rust	2	1	1	Square Feet

General Comments

Span 81 **Beam 3 Far Bearing**
Fixed Bearing

Element Number	Element Name	Total Qty	CS1 Qty	CS2 Qty	CS3 Qty	CS4 Qty	
313	Fixed Bearing	1	0	1	0	0	Each
515	Steel Protective Coating	2	1	1	0	0	Square Feet

Element Number	Defect Type	Defect Description	CS	CS Qty	Maint Qty	
313	Corrosion	RUST STAINS COMING THROUGH PROTECTIVE COATING.	2	1		Each
515	Effectiveness (Steel Protective Coatings)	paint failure with spot rust	2	1	1	Square Feet

General Comments

Span 81 **Beam 4 Near Bearing**
Fixed Bearing

Element Number	Element Name	Total Qty	CS1 Qty	CS2 Qty	CS3 Qty	CS4 Qty	
313	Fixed Bearing	1	0	1	0	0	Each
515	Steel Protective Coating	2	1	1	0	0	Square Feet

Element Number	Defect Type	Defect Description	CS	CS Qty	Maint Qty	
313	Corrosion	RUST STAINS COMING THROUGH PROTECTIVE COATING.	2	1		Each
515	Effectiveness (Steel Protective Coatings)	paint failure with spot rust	2	1	1	Square Feet

General Comments

Span 81 **Beam 4 Far Bearing**
Fixed Bearing

Element Number	Element Name	Total Qty	CS1 Qty	CS2 Qty	CS3 Qty	CS4 Qty	
313	Fixed Bearing	1	0	1	0	0	Each
515	Steel Protective Coating	2	1	1	0	0	Square Feet

Element Number	Defect Type	Defect Description	CS	CS Qty	Maint Qty	
313	Corrosion	RUST STAINS COMING THROUGH PROTECTIVE COATING.	2	1		Each
515	Effectiveness (Steel Protective Coatings)	paint failure with spot rust	2	1	1	Square Feet

General Comments

Span 82 **Deck**
Reinforced Concrete Deck

Element Number	Element Name	Total Qty	CS1 Qty	CS2 Qty	CS3 Qty	CS4 Qty	
12	Reinforced Concrete Deck	2,022	1,692	324	6	0	Square Feet

Element Number	Defect Type	Defect Description	CS	CS Qty	Maint Qty	
----------------	-------------	--------------------	----	--------	-----------	--

Structure Number: 070007

Inspection Date: 03/03/2022

12	Delamination/Spall	5' WIDE X 12" TALL X 6" DEEP SPALL WITH EXPOSED REBAR WITH NO SECTION LOSS IN BAY DIAPHRAGM OVER BENT 81	3	5	5 Square Feet
12	Patched Areas	left lane at bent 81, failed patch [12in x 8in]	3	1	1 Square Feet
12	Cracking (RC and Other)	SPAN 82 BOTTOM OF DECK HAS SCATTERED MAP CRACKING.	2	300	300 Square Feet
12	Cracking (RC and Other)	throughout surface, multiple longitudinal cracks [1/32in x 2ft]	2	24	24 Square Feet

General Comments

Span 82 Beam 1
Prestressed Concrete Girder

Element Number	Element Name	Total Qty	CS1 Qty	CS2 Qty	CS3 Qty	CS4 Qty
109	Prestressed Concrete Open Girder/Beam	60	58	2	0	0 Feet

Element Number	Defect Type	Defect Description	CS	CS Qty	Maint Qty
109	Delamination/Spall	left side of bottom flange at bent 81, delamination [6in x 8in]	2	1	1 Feet
109	Patched Area	SPAN 82 BEAM 1 RIGHT BOTTOM FLANGE OVER BENT 82. sound patch [8in x 10in]	2	1	Feet
109	Patched Area	SPAN 82 BEAM 1 RIGHT BOTTOM FLANGE OVER BENT 81. sound patch [7in x 12in]	2		Feet

General Comments

Span 82 Beam 1 Near Bearing
Fixed Bearing

Element Number	Element Name	Total Qty	CS1 Qty	CS2 Qty	CS3 Qty	CS4 Qty
313	Fixed Bearing	1	0	1	0	0 Each
515	Steel Protective Coating	2	1	1	0	0 Square Feet

Element Number	Defect Type	Defect Description	CS	CS Qty	Maint Qty
313	Corrosion	RUST STAINS COMING THROUGH PROTECTIVE COATING.	2	1	Each
515	Effectiveness (Steel Protective Coatings)	paint failure with spot rust	2	1	1 Square Feet

General Comments

Span 82 Beam 1 Far Bearing
Fixed Bearing

Element Number	Element Name	Total Qty	CS1 Qty	CS2 Qty	CS3 Qty	CS4 Qty
313	Fixed Bearing	1	0	1	0	0 Each
515	Steel Protective Coating	2	1	1	0	0 Square Feet

Element Number	Defect Type	Defect Description	CS	CS Qty	Maint Qty
313	Corrosion	RUST STAINS COMING THROUGH PROTECTIVE COATING.	2	1	Each
515	Effectiveness (Steel Protective Coatings)	paint failure with spot rust	2	1	1 Square Feet

General Comments

Span 82 Beam 2

Prestressed Concrete Girder

Element Number	Element Name	Total Qty	CS1 Qty	CS2 Qty	CS3 Qty	CS4 Qty	
109	Prestressed Concrete Open Girder/Beam	60	56	4	0	0	Feet

Element Number	Defect Type	Defect Description	CS	CS Qty	Maint Qty	
109	Patched Area	SPAN 82 BEAM 2 LEFT SIDE OVER BENT 81. sound patch [11in x 24in]	2	2		Feet
109	Patched Area	SPAN 82 BEAM 2 LEFT BOTTOM FLANGE OVER BENT 82. sound patch [8in x 16in]	2	2		Feet
109	Patched Area	SPAN 82 BEAM 2 RIGHT BOTTOM FLANGE OVER BENT 81. sound patch [8in x 11in]	2			Feet

General Comments

Span 82 Beam 2 Near Bearing

Fixed Bearing

Element Number	Element Name	Total Qty	CS1 Qty	CS2 Qty	CS3 Qty	CS4 Qty	
313	Fixed Bearing	1	0	1	0	0	Each
515	Steel Protective Coating	2	1	1	0	0	Square Feet

Element Number	Defect Type	Defect Description	CS	CS Qty	Maint Qty	
313	Corrosion	RUST STAINS COMING THROUGH PROTECTIVE COATING.	2	1		Each
515	Effectiveness (Steel Protective Coatings)	paint failure with spot rust	2	1	1	Square Feet

General Comments

Span 82 Beam 2 Far Bearing

Fixed Bearing

Element Number	Element Name	Total Qty	CS1 Qty	CS2 Qty	CS3 Qty	CS4 Qty	
313	Fixed Bearing	1	0	1	0	0	Each
515	Steel Protective Coating	2	1	1	0	0	Square Feet

Element Number	Defect Type	Defect Description	CS	CS Qty	Maint Qty	
313	Corrosion	RUST STAINS COMING THROUGH PROTECTIVE COATING.	2	1		Each
515	Effectiveness (Steel Protective Coatings)	paint failure with spot rust	2	1	1	Square Feet

General Comments

Span 82 Beam 3 Near Bearing

Fixed Bearing

Element Number	Element Name	Total Qty	CS1 Qty	CS2 Qty	CS3 Qty	CS4 Qty	
313	Fixed Bearing	1	0	1	0	0	Each
515	Steel Protective Coating	2	1	1	0	0	Square Feet

Element Number	Defect Type	Defect Description	CS	CS Qty	Maint Qty	
313	Corrosion	RUST STAINS COMING THROUGH PROTECTIVE COATING.	2	1		Each
515	Effectiveness (Steel Protective Coatings)	paint failure with spot rust	2	1	1	Square Feet

General Comments

Span 82 Beam 3 Far Bearing

Fixed Bearing

Element Number	Element Name	Total Qty	CS1 Qty	CS2 Qty	CS3 Qty	CS4 Qty	
313	Fixed Bearing	1	0	1	0	0	Each
515	Steel Protective Coating	2	1	1	0	0	Square Feet

Element Number	Defect Type	Defect Description	CS	CS Qty	Maint Qty	
313	Corrosion	RUST STAINS COMING THROUGH PROTECTIVE COATING.	2	1		Each
515	Effectiveness (Steel Protective Coatings)	paint failure with spot rust	2	1	1	Square Feet

General Comments

Span 82 Beam 4

Prestressed Concrete Girder

Element Number	Element Name	Total Qty	CS1 Qty	CS2 Qty	CS3 Qty	CS4 Qty	
109	Prestressed Concrete Open Girder/Beam	60	59	1	0	0	Feet

Element Number	Defect Type	Defect Description	CS	CS Qty	Maint Qty	
109	Delamination/Spall	left side of bottom flange at bent 81, spall [6in x 3in x 1in deep]	2	1	1	Feet

General Comments

Span 82 Beam 4 Near Bearing

Fixed Bearing

Element Number	Element Name	Total Qty	CS1 Qty	CS2 Qty	CS3 Qty	CS4 Qty	
313	Fixed Bearing	1	0	1	0	0	Each
515	Steel Protective Coating	2	1	1	0	0	Square Feet

Element Number	Defect Type	Defect Description	CS	CS Qty	Maint Qty	
313	Corrosion	RUST STAINS COMING THROUGH PROTECTIVE COATING.	2	1		Each
515	Effectiveness (Steel Protective Coatings)	paint failure with spot rust	2	1	1	Square Feet

General Comments

Span 82 Beam 4 Far Bearing

Fixed Bearing

Element Number	Element Name	Total Qty	CS1 Qty	CS2 Qty	CS3 Qty	CS4 Qty	
313	Fixed Bearing	1	0	1	0	0	Each
515	Steel Protective Coating	2	1	1	0	0	Square Feet

Element Number	Defect Type	Defect Description	CS	CS Qty	Maint Qty	
313	Corrosion	RUST STAINS COMING THROUGH PROTECTIVE COATING.	2	1		Each
515	Effectiveness (Steel Protective Coatings)	paint failure with spot rust	2	1	1	Square Feet

General Comments

Span 83 Deck

Reinforced Concrete Deck

Element Number	Element Name	Total Qty	CS1 Qty	CS2 Qty	CS3 Qty	CS4 Qty	
12	Reinforced Concrete Deck	2,022	1,320	702	0	0	Square Feet

Element Number	Defect Type	Defect Description	CS	CS Qty	Maint Qty	
12	Patched Areas	in left lane at bent 83, sound patch [2ft x 1 ft]	2	2		Square Feet
12	Cracking (RC and Other)	SPAN 83 BOTTOM OF DECK HAS SCATTERED MAP CRACKING.	2	700	700	Square Feet

General Comments

Span 83 Beam 1 Near Bearing

Fixed Bearing

Element Number	Element Name	Total Qty	CS1 Qty	CS2 Qty	CS3 Qty	CS4 Qty	
313	Fixed Bearing	1	0	1	0	0	Each
515	Steel Protective Coating	2	1	1	0	0	Square Feet

Element Number	Defect Type	Defect Description	CS	CS Qty	Maint Qty	
313	Corrosion	RUST STAINS COMING THROUGH PROTECTIVE COATING.	2	1		Each
515	Effectiveness (Steel Protective Coatings)	paint failure with spot rust	2	1	1	Square Feet

General Comments

Span 83 Beam 1 Far Bearing

Fixed Bearing

Element Number	Element Name	Total Qty	CS1 Qty	CS2 Qty	CS3 Qty	CS4 Qty	
313	Fixed Bearing	1	0	1	0	0	Each
515	Steel Protective Coating	2	1	1	0	0	Square Feet

Element Number	Defect Type	Defect Description	CS	CS Qty	Maint Qty	
313	Corrosion	RUST STAINS COMING THROUGH PROTECTIVE COATING.	2	1		Each
515	Effectiveness (Steel Protective Coatings)	paint failure with spot rust	2	1	1	Square Feet

General Comments

Span 83 Beam 2

Prestressed Concrete Girder

Element Number	Element Name	Total Qty	CS1 Qty	CS2 Qty	CS3 Qty	CS4 Qty	
109	Prestressed Concrete Open Girder/Beam	60	58	2	0	0	Feet

Element Number	Defect Type	Defect Description	CS	CS Qty	Maint Qty	
109	Patched Area	SPAN 83 BOTTOM OF BEAM 2 AT BENT 83. sound patch [10in x 8in]	2			Feet
109	Patched Area	SPAN 83 BEAM 2 END AND LEFT SIDE OVER BENT 83. sound patch [10in x 18in]	2	2		Feet

109 Patched Area SPAN 83 BEAM 2 RIGHT BOTTOM FLANGE OVER BENT 83. 2 Feet
 sound patch [8in x 10in]

General Comments

Span 83 Beam 2 Near Bearing

Fixed Bearing

Element Number	Element Name	Total Qty	CS1 Qty	CS2 Qty	CS3 Qty	CS4 Qty	
313	Fixed Bearing	1	0	1	0	0	Each
515	Steel Protective Coating	2	1	1	0	0	Square Feet

Element Number	Defect Type	Defect Description	CS	CS Qty	Maint Qty	
313	Corrosion	RUST STAINS COMING THROUGH PROTECTIVE COATING.	2	1		Each
515	Effectiveness (Steel Protective Coatings)	paint failure with spot rust	2	1	1	Square Feet

General Comments

Span 83 Beam 2 Far Bearing

Fixed Bearing

Element Number	Element Name	Total Qty	CS1 Qty	CS2 Qty	CS3 Qty	CS4 Qty	
313	Fixed Bearing	1	0	1	0	0	Each
515	Steel Protective Coating	2	1	1	0	0	Square Feet

Element Number	Defect Type	Defect Description	CS	CS Qty	Maint Qty	
313	Corrosion	RUST STAINS COMING THROUGH PROTECTIVE COATING.	2	1		Each
515	Effectiveness (Steel Protective Coatings)	paint failure with spot rust	2	1	1	Square Feet

General Comments

Span 83 Beam 3 Near Bearing

Fixed Bearing

Element Number	Element Name	Total Qty	CS1 Qty	CS2 Qty	CS3 Qty	CS4 Qty	
313	Fixed Bearing	1	0	1	0	0	Each
515	Steel Protective Coating	2	1	1	0	0	Square Feet

Element Number	Defect Type	Defect Description	CS	CS Qty	Maint Qty	
313	Corrosion	RUST STAINS COMING THROUGH PROTECTIVE COATING.	2	1		Each
515	Effectiveness (Steel Protective Coatings)	paint failure with spot rust	2	1	1	Square Feet

General Comments

Span 83 Beam 3 Far Bearing
Fixed Bearing

Element Number	Element Name	Total Qty	CS1 Qty	CS2 Qty	CS3 Qty	CS4 Qty	
313	Fixed Bearing	1	0	1	0	0	Each
515	Steel Protective Coating	2	1	1	0	0	Square Feet

Element Number	Defect Type	Defect Description	CS	CS Qty	Maint Qty	
313	Corrosion	RUST STAINS COMING THROUGH PROTECTIVE COATING.	2	1		Each
515	Effectiveness (Steel Protective Coatings)	paint failure with spot rust	2	1	1	Square Feet

General Comments

Span 83 Beam 4
Prestressed Concrete Girder

Element Number	Element Name	Total Qty	CS1 Qty	CS2 Qty	CS3 Qty	CS4 Qty	
109	Prestressed Concrete Open Girder/Beam	60	58	1	1	0	Feet

Element Number	Defect Type	Defect Description	CS	CS Qty	Maint Qty	
109	Delamination/Spall	SPAN 83 BOTTOM OF BEAM 4 AT BENT 82 on both sides. HAS A SPALLED AREA. AREA IS: 7" x 5" x 3/4" DEEP.	3	1	1	Feet
109	Delamination/Spall	left side of bottom flange at bent 83, spall [3in x 3in x 1in deep]	2	1	1	Feet

General Comments

Span 83 Beam 4 Near Bearing
Fixed Bearing

Element Number	Element Name	Total Qty	CS1 Qty	CS2 Qty	CS3 Qty	CS4 Qty	
313	Fixed Bearing	1	0	1	0	0	Each
515	Steel Protective Coating	2	1	1	0	0	Square Feet

Element Number	Defect Type	Defect Description	CS	CS Qty	Maint Qty	
313	Corrosion	RUST STAINS COMING THROUGH PROTECTIVE COATING.	2	1		Each
515	Effectiveness (Steel Protective Coatings)	paint failure with spot rust	2	1	1	Square Feet

General Comments

Span 83 Beam 4 Far Bearing
Fixed Bearing

Element Number	Element Name	Total Qty	CS1 Qty	CS2 Qty	CS3 Qty	CS4 Qty	
313	Fixed Bearing	1	0	1	0	0	Each
515	Steel Protective Coating	2	1	1	0	0	Square Feet

Element Number	Defect Type	Defect Description	CS	CS Qty	Maint Qty	
313	Corrosion	RUST STAINS COMING THROUGH PROTECTIVE COATING.	2	1		Each
515	Effectiveness (Steel Protective Coatings)	paint failure with spot rust	2	1	1	Square Feet

General Comments

Span 84 Deck
Reinforced Concrete Deck

Element Number	Element Name	Total Qty	CS1 Qty	CS2 Qty	CS3 Qty	CS4 Qty	
12	Reinforced Concrete Deck	2,022	1,408	614	0	0	Square Feet

Element Number	Defect Type	Defect Description	CS	CS Qty	Maint Qty	
12	Cracking (RC and Other)	throughout surface, multiple longitudinal cracks [1/32in x 2ft]	2	12	12	Square Feet
12	Cracking (RC and Other)	SPAN 84 BOTTOM OF DECK HAS SCATTERED MAP CRACKING.	2	600	600	Square Feet
12	Patched Areas	in left lane at bent 83, sound patch [2ft x 1ft]	2	2		Square Feet

General Comments

Span 84 Beam 1 Near Bearing
Fixed Bearing

Element Number	Element Name	Total Qty	CS1 Qty	CS2 Qty	CS3 Qty	CS4 Qty	
313	Fixed Bearing	1	0	1	0	0	Each
515	Steel Protective Coating	2	1	1	0	0	Square Feet

Element Number	Defect Type	Defect Description	CS	CS Qty	Maint Qty	
313	Corrosion	RUST STAINS COMING THROUGH PROTECTIVE COATING.	2	1		Each
515	Effectiveness (Steel Protective Coatings)	paint failure with spot rust	2	1	1	Square Feet

General Comments

Span 84 Beam 1 Far Bearing
Fixed Bearing

Element Number	Element Name	Total Qty	CS1 Qty	CS2 Qty	CS3 Qty	CS4 Qty	
313	Fixed Bearing	1	0	1	0	0	Each
515	Steel Protective Coating	2	1	1	0	0	Square Feet

Element Number	Defect Type	Defect Description	CS	CS Qty	Maint Qty	
313	Corrosion	RUST STAINS COMING THROUGH PROTECTIVE COATING.	2	1		Each
515	Effectiveness (Steel Protective Coatings)	paint failure with spot rust	2	1	1	Square Feet

General Comments

Span 84 Beam 2
Prestressed Concrete Girder

Element Number	Element Name	Total Qty	CS1 Qty	CS2 Qty	CS3 Qty	CS4 Qty	
109	Prestressed Concrete Open Girder/Beam	60	58	2	0	0	Feet

Element Number	Defect Type	Defect Description	CS	CS Qty	Maint Qty	
109	Patched Area	SPAN 84 BOTTOM OF BEAM 2 AT BENT 83. sound patch [8in x 8in]	2	1		Feet

109 Patched Area SPAN 84 BEAM 2 LEFT BOTTOM FLANGE OVER BENT 83. 2 1 Feet
 sound patch [8in x 11in]

General Comments

Span 84 Beam 2 Near Bearing

Fixed Bearing

Element Number	Element Name	Total Qty	CS1 Qty	CS2 Qty	CS3 Qty	CS4 Qty	
313	Fixed Bearing	1	0	1	0	0	Each
515	Steel Protective Coating	2	1	1	0	0	Square Feet

Element Number	Defect Type	Defect Description	CS	CS Qty	Maint Qty	
313	Corrosion	RUST STAINS COMING THROUGH PROTECTIVE COATING.	2	1		Each
515	Effectiveness (Steel Protective Coatings)	paint failure with spot rust	2	1	1	Square Feet

General Comments

Span 84 Beam 2 Far Bearing

Fixed Bearing

Element Number	Element Name	Total Qty	CS1 Qty	CS2 Qty	CS3 Qty	CS4 Qty	
313	Fixed Bearing	1	0	1	0	0	Each
515	Steel Protective Coating	2	1	1	0	0	Square Feet

Element Number	Defect Type	Defect Description	CS	CS Qty	Maint Qty	
313	Corrosion	RUST STAINS COMING THROUGH PROTECTIVE COATING.	2	1		Each
515	Effectiveness (Steel Protective Coatings)	paint failure with spot rust	2	1	1	Square Feet

General Comments

Span 84 Beam 3

Prestressed Concrete Girder

Element Number	Element Name	Total Qty	CS1 Qty	CS2 Qty	CS3 Qty	CS4 Qty	
109	Prestressed Concrete Open Girder/Beam	60	58	0	2	0	Feet

Element Number	Defect Type	Defect Description	CS	CS Qty	Maint Qty	
109	Delamination/Spall	SPAN 84 BEAM 3 RIGHT WEB. HAS A SPALLED AREA WITH REBAR VISIBLE. LOCATED 3' FROM END OF BEAM OVER BENT 83. AREA IS: 3" x 7" x 1/2" DEEP.	3	1	1	Feet
109	Delamination/Spall	SPAN 84 END OF BEAM 3 OVER BENT 83. HAS A SPALLED AREA. AREA IS: 8" x 11" x 1" DEEP.	3	1	1	Feet

General Comments

Span 84 **Beam 3 Near Bearing**
Fixed Bearing

Element Number	Element Name	Total Qty	CS1 Qty	CS2 Qty	CS3 Qty	CS4 Qty	
313	Fixed Bearing	1	0	1	0	0	Each
515	Steel Protective Coating	2	1	1	0	0	Square Feet

Element Number	Defect Type	Defect Description	CS	CS Qty	Maint Qty	
313	Corrosion	RUST STAINS COMING THROUGH PROTECTIVE COATING.	2	1		Each
515	Effectiveness (Steel Protective Coatings)	paint failure with spot rust	2	1	1	Square Feet

General Comments

Span 84 **Beam 3 Far Bearing**
Fixed Bearing

Element Number	Element Name	Total Qty	CS1 Qty	CS2 Qty	CS3 Qty	CS4 Qty	
313	Fixed Bearing	1	0	1	0	0	Each
515	Steel Protective Coating	2	1	1	0	0	Square Feet

Element Number	Defect Type	Defect Description	CS	CS Qty	Maint Qty	
313	Corrosion	RUST STAINS COMING THROUGH PROTECTIVE COATING.	2	1		Each
515	Effectiveness (Steel Protective Coatings)	paint failure with spot rust	2	1	1	Square Feet

General Comments

Span 84 **Beam 4**
Prestressed Concrete Girder

Element Number	Element Name	Total Qty	CS1 Qty	CS2 Qty	CS3 Qty	CS4 Qty	
109	Prestressed Concrete Open Girder/Beam	60	59	0	1	0	Feet

Element Number	Defect Type	Defect Description	CS	CS Qty	Maint Qty	
109	Delamination/Spall	bottom of bottom flange at bent 84, spall [4in diameter x 1/2in deep] with exposed rusted reinforcing [up to 5% section loss]	3	1	1	Feet

General Comments

Span 84 **Beam 4 Near Bearing**
Fixed Bearing

Element Number	Element Name	Total Qty	CS1 Qty	CS2 Qty	CS3 Qty	CS4 Qty	
313	Fixed Bearing	1	0	1	0	0	Each
515	Steel Protective Coating	2	1	1	0	0	Square Feet

Element Number	Defect Type	Defect Description	CS	CS Qty	Maint Qty	
313	Corrosion	RUST STAINS COMING THROUGH PROTECTIVE COATING.	2	1		Each
515	Effectiveness (Steel Protective Coatings)	paint failure with spot rust	2	1	1	Square Feet

General Comments

Span 84 Beam 4 Far Bearing

Fixed Bearing

Element Number	Element Name	Total Qty	CS1 Qty	CS2 Qty	CS3 Qty	CS4 Qty	
313	Fixed Bearing	1	0	1	0	0	Each
515	Steel Protective Coating	2	1	1	0	0	Square Feet

Element Number	Defect Type	Defect Description	CS	CS Qty	Maint Qty	
313	Corrosion	RUST STAINS COMING THROUGH PROTECTIVE COATING.	2	1		Each
515	Effectiveness (Steel Protective Coatings)	paint failure with spot rust	2	1	1	Square Feet

General Comments

Span 85 Deck

Reinforced Concrete Deck

Element Number	Element Name	Total Qty	CS1 Qty	CS2 Qty	CS3 Qty	CS4 Qty	
12	Reinforced Concrete Deck	2,022	1,600	418	4	0	Square Feet

Element Number	Defect Type	Defect Description	CS	CS Qty	Maint Qty	
12	Delamination/Spall	4' LONG X 8" TALL X 8" WIDE DELAMINATED PATCH IN RIGHT OVERHANG 15' FROM BENT 84	3	4	4	Square Feet
12	Patched Areas	in right curb at midspan, sound patch [6ft x 2ft]	2	12		Square Feet
12	Patched Areas	in left lane at bent 85, multiple sound patches [up to 2ft x 1ft]	2	6		Square Feet
12	Cracking (RC and Other)	SPAN 85 BOTTOM OF DECK HAS SCATTERED MAP CRACKING.	2	400	400	Square Feet

General Comments

Span 85 Beam 1 Near Bearing

Fixed Bearing

Element Number	Element Name	Total Qty	CS1 Qty	CS2 Qty	CS3 Qty	CS4 Qty	
313	Fixed Bearing	1	0	1	0	0	Each
515	Steel Protective Coating	2	1	1	0	0	Square Feet

Element Number	Defect Type	Defect Description	CS	CS Qty	Maint Qty	
313	Corrosion	RUST STAINS COMING THROUGH PROTECTIVE COATING.	2	1		Each
515	Effectiveness (Steel Protective Coatings)	paint failure with spot rust	2	1	1	Square Feet

General Comments

Span 85 Beam 1 Far Bearing

Fixed Bearing

Element Number	Element Name	Total Qty	CS1 Qty	CS2 Qty	CS3 Qty	CS4 Qty	
313	Fixed Bearing	1	0	1	0	0	Each
515	Steel Protective Coating	2	1	1	0	0	Square Feet

Element Number	Defect Type	Defect Description	CS	CS Qty	Maint Qty	
313	Corrosion	RUST STAINS COMING THROUGH PROTECTIVE COATING.	2	1		Each

515	Effectiveness (Steel Protective Coatings)	paint failure with spot rust	2	1	1	Square Feet
General Comments						

Span 85 Beam 2

Prestressed Concrete Girder

Element Number	Element Name	Total Qty	CS1 Qty	CS2 Qty	CS3 Qty	CS4 Qty	
109	Prestressed Concrete Open Girder/Beam	60	59	1	0	0	Feet
Element Number	Defect Type	Defect Description	CS	CS Qty	Maint Qty		
109	Patched Area	SPAN 85 BEAM 2 RIGHT BOTTOM FLANGE OVER BENT 84. sound patch [5in x 7in]	2	1			Feet
General Comments							

Span 85 Beam 2 Near Bearing

Fixed Bearing

Element Number	Element Name	Total Qty	CS1 Qty	CS2 Qty	CS3 Qty	CS4 Qty	
313	Fixed Bearing	1	0	1	0	0	Each
515	Steel Protective Coating	2	1	1	0	0	Square Feet
Element Number	Defect Type	Defect Description	CS	CS Qty	Maint Qty		
313	Corrosion	RUST STAINS COMING THROUGH PROTECTIVE COATING.	2	1			Each
515	Effectiveness (Steel Protective Coatings)	paint failure with spot rust	2	1		1	Square Feet
General Comments							

Span 85 Beam 2 Far Bearing

Fixed Bearing

Element Number	Element Name	Total Qty	CS1 Qty	CS2 Qty	CS3 Qty	CS4 Qty	
313	Fixed Bearing	1	0	1	0	0	Each
515	Steel Protective Coating	2	1	1	0	0	Square Feet
Element Number	Defect Type	Defect Description	CS	CS Qty	Maint Qty		
313	Corrosion	RUST STAINS COMING THROUGH PROTECTIVE COATING.	2	1			Each
515	Effectiveness (Steel Protective Coatings)	paint failure with spot rust	2	1		1	Square Feet
General Comments							

Span 85 Beam 3 Near Bearing

Fixed Bearing

Element Number	Element Name	Total Qty	CS1 Qty	CS2 Qty	CS3 Qty	CS4 Qty	
313	Fixed Bearing	1	0	1	0	0	Each
515	Steel Protective Coating	2	1	1	0	0	Square Feet
Element Number	Defect Type	Defect Description	CS	CS Qty	Maint Qty		
313	Corrosion	RUST STAINS COMING THROUGH PROTECTIVE COATING.	2	1			Each

515	Effectiveness (Steel Protective Coatings)	paint failure with spot rust	2	1	1	Square Feet
General Comments						

Span 85 **Beam 3 Far Bearing**
Fixed Bearing

Element Number	Element Name	Total Qty	CS1 Qty	CS2 Qty	CS3 Qty	CS4 Qty	
313	Fixed Bearing	1	0	1	0	0	Each
515	Steel Protective Coating	2	1	1	0	0	Square Feet
Element Number	Defect Type	Defect Description	CS	CS Qty	Maint Qty		
313	Corrosion	RUST STAINS COMING THROUGH PROTECTIVE COATING.	2	1			Each
515	Effectiveness (Steel Protective Coatings)	paint failure with spot rust	2	1		1	Square Feet
General Comments							

Span 85 **Beam 4**
Prestressed Concrete Girder

Element Number	Element Name	Total Qty	CS1 Qty	CS2 Qty	CS3 Qty	CS4 Qty	
109	Prestressed Concrete Open Girder/Beam	60	58	0	2	0	Feet
Element Number	Defect Type	Defect Description	CS	CS Qty	Maint Qty		
109	Delamination/Spall	SPAN 85 RIGHT BOTTOM EDGE OF BEAM 4. HAS A SPALLED AREA WITH 1 CABLE VISIBLE. LOCATED 24' FROM BENT 85. AREA IS: 5" x 16" x 1" DEEP.	3	2		2	Feet
General Comments							

Span 85 **Beam 4 Near Bearing**
Fixed Bearing

Element Number	Element Name	Total Qty	CS1 Qty	CS2 Qty	CS3 Qty	CS4 Qty	
313	Fixed Bearing	1	0	1	0	0	Each
515	Steel Protective Coating	2	1	1	0	0	Square Feet
Element Number	Defect Type	Defect Description	CS	CS Qty	Maint Qty		
313	Corrosion	RUST STAINS COMING THROUGH PROTECTIVE COATING.	2	1			Each
515	Effectiveness (Steel Protective Coatings)	paint failure with spot rust	2	1		1	Square Feet
General Comments							

Span 85 **Beam 4 Far Bearing**
Fixed Bearing

Element Number	Element Name	Total Qty	CS1 Qty	CS2 Qty	CS3 Qty	CS4 Qty	
313	Fixed Bearing	1	0	1	0	0	Each
515	Steel Protective Coating	2	1	1	0	0	Square Feet
Element Number	Defect Type	Defect Description	CS	CS Qty	Maint Qty		

Structure Number: 070007

Inspection Date: 03/03/2022

313	Corrosion	RUST STAINS COMING THROUGH PROTECTIVE COATING.	2	1	Each
515	Effectiveness (Steel Protective Coatings)	paint failure with spot rust	2	1	1 Square Feet

General Comments

Span 86 Deck

Reinforced Concrete Deck

Element Number	Element Name	Total Qty	CS1 Qty	CS2 Qty	CS3 Qty	CS4 Qty
12	Reinforced Concrete Deck	2,022	1,722	300	0	0 Square Feet

Element Number	Defect Type	Defect Description	CS	CS Qty	Maint Qty
12	Cracking (RC and Other)	SPAN 86 BOTTOM OF DECK HAS SCATTERED MAP CRACKING.	2	300	300 Square Feet

General Comments

Span 86 Beam 1 Near Bearing

Fixed Bearing

Element Number	Element Name	Total Qty	CS1 Qty	CS2 Qty	CS3 Qty	CS4 Qty
313	Fixed Bearing	1	0	1	0	0 Each
515	Steel Protective Coating	2	1	1	0	0 Square Feet

Element Number	Defect Type	Defect Description	CS	CS Qty	Maint Qty
313	Corrosion	RUST STAINS COMING THROUGH PROTECTIVE COATING.	2	1	Each
515	Effectiveness (Steel Protective Coatings)	paint failure with spot rust	2	1	1 Square Feet

General Comments

Span 86 Beam 1 Far Bearing

Fixed Bearing

Element Number	Element Name	Total Qty	CS1 Qty	CS2 Qty	CS3 Qty	CS4 Qty
313	Fixed Bearing	1	0	1	0	0 Each
515	Steel Protective Coating	2	1	1	0	0 Square Feet

Element Number	Defect Type	Defect Description	CS	CS Qty	Maint Qty
313	Corrosion	RUST STAINS COMING THROUGH PROTECTIVE COATING.	2	1	Each
515	Effectiveness (Steel Protective Coatings)	paint failure with spot rust	2	1	1 Square Feet

General Comments

Span 86 Beam 2 Near Bearing

Fixed Bearing

Element Number	Element Name	Total Qty	CS1 Qty	CS2 Qty	CS3 Qty	CS4 Qty
313	Fixed Bearing	1	0	1	0	0 Each
515	Steel Protective Coating	2	1	1	0	0 Square Feet

Element Number	Defect Type	Defect Description	CS	CS Qty	Maint Qty
----------------	-------------	--------------------	----	--------	-----------

Structure Number: 070007

Inspection Date: 03/03/2022

313	Corrosion	RUST STAINS COMING THROUGH PROTECTIVE COATING.	2	1	Each
515	Effectiveness (Steel Protective Coatings)	paint failure with spot rust	2	1	1 Square Feet

General Comments

Span 86 Beam 2 Far Bearing

Fixed Bearing

Element Number	Element Name	Total Qty	CS1 Qty	CS2 Qty	CS3 Qty	CS4 Qty
313	Fixed Bearing	1	0	1	0	0 Each
515	Steel Protective Coating	2	1	1	0	0 Square Feet

Element Number	Defect Type	Defect Description	CS	CS Qty	Maint Qty
313	Corrosion	RUST STAINS COMING THROUGH PROTECTIVE COATING.	2	1	Each
515	Effectiveness (Steel Protective Coatings)	paint failure with spot rust	2	1	1 Square Feet

General Comments

Span 86 Beam 3

Prestressed Concrete Girder

Element Number	Element Name	Total Qty	CS1 Qty	CS2 Qty	CS3 Qty	CS4 Qty
109	Prestressed Concrete Open Girder/Beam	60	58	2	0	0 Feet

Element Number	Defect Type	Defect Description	CS	CS Qty	Maint Qty
109	Patched Area	SPAN 86 BEAM 3 LEFT BOTTOM FLANGE OVER BENT 85. sound patch [3in x 10in]	2	1	Feet
109	Patched Area	SPAN 86 BEAM 3 RIGHT BOTTOM FLANGE OVER BENT 86. sound patch [6in x 6in]	2	1	Feet
109	Patched Area	SPAN 86 BEAM 3 LEFT BOTTOM FLANGE OVER BENT 86. sound patch [6in x 12in]	2		Feet

General Comments

Span 86 Beam 3 Near Bearing

Fixed Bearing

Element Number	Element Name	Total Qty	CS1 Qty	CS2 Qty	CS3 Qty	CS4 Qty
313	Fixed Bearing	1	0	1	0	0 Each
515	Steel Protective Coating	2	1	1	0	0 Square Feet

Element Number	Defect Type	Defect Description	CS	CS Qty	Maint Qty
313	Corrosion	RUST STAINS COMING THROUGH PROTECTIVE COATING.	2	1	Each
515	Effectiveness (Steel Protective Coatings)	paint failure with spot rust	2	1	1 Square Feet

General Comments

Span 86 Beam 3 Far Bearing

Fixed Bearing

Element Number	Element Name	Total Qty	CS1 Qty	CS2 Qty	CS3 Qty	CS4 Qty	
313	Fixed Bearing	1	0	1	0	0	Each
515	Steel Protective Coating	2	1	1	0	0	Square Feet

Element Number	Defect Type	Defect Description	CS	CS Qty	Maint Qty	
313	Corrosion	RUST STAINS COMING THROUGH PROTECTIVE COATING.	2	1		Each
515	Effectiveness (Steel Protective Coatings)	paint failure with spot rust	2	1	1	Square Feet

General Comments

Span 86 Beam 4

Prestressed Concrete Girder

Element Number	Element Name	Total Qty	CS1 Qty	CS2 Qty	CS3 Qty	CS4 Qty	
109	Prestressed Concrete Open Girder/Beam	60	59	1	0	0	Feet

Element Number	Defect Type	Defect Description	CS	CS Qty	Maint Qty	
109	Patched Area	SPAN 86 BEAM 4 LEFT BOTTOM FLANGE OVER BENT 85. sound patch [7in x 8in]	2	1		Feet

General Comments

Span 86 Beam 4 Near Bearing

Fixed Bearing

Element Number	Element Name	Total Qty	CS1 Qty	CS2 Qty	CS3 Qty	CS4 Qty	
313	Fixed Bearing	1	0	1	0	0	Each
515	Steel Protective Coating	2	1	1	0	0	Square Feet

Element Number	Defect Type	Defect Description	CS	CS Qty	Maint Qty	
313	Corrosion	RUST STAINS COMING THROUGH PROTECTIVE COATING.	2	1		Each
515	Effectiveness (Steel Protective Coatings)	paint failure with spot rust	2	1	1	Square Feet

General Comments

Span 86 Beam 4 Far Bearing

Fixed Bearing

Element Number	Element Name	Total Qty	CS1 Qty	CS2 Qty	CS3 Qty	CS4 Qty	
313	Fixed Bearing	1	0	1	0	0	Each
515	Steel Protective Coating	2	1	1	0	0	Square Feet

Element Number	Defect Type	Defect Description	CS	CS Qty	Maint Qty	
313	Corrosion	RUST STAINS COMING THROUGH PROTECTIVE COATING.	2	1		Each
515	Effectiveness (Steel Protective Coatings)	paint failure with spot rust	2	1	1	Square Feet

General Comments

Span 87 Deck

Reinforced Concrete Deck

Element Number	Element Name	Total Qty	CS1 Qty	CS2 Qty	CS3 Qty	CS4 Qty
12	Reinforced Concrete Deck	2,022	1,522	500	0	0 Square Feet

Element Number	Defect Type	Defect Description	CS	CS Qty	Maint Qty
12	Cracking (RC and Other)	SPAN 87 BOTTOM OF DECK HAS SCATTERED MAP CRACKING.	2	500	500 Square Feet

General Comments

Span 87 Expansion Joint over Bent 86

Standard Joint

Element Number	Element Name	Total Qty	CS1 Qty	CS2 Qty	CS3 Qty	CS4 Qty
301	Pourable Joint Seal	34	33	0	0	1 Feet

Element Number	Defect Type	Defect Description	CS	CS Qty	Maint Qty
301	Seal Adhesion	in right lane, loss of seal adhesion [1ft x full depth]	4	1	1 Feet

General Comments

Span 87 Beam 1

Prestressed Concrete Girder

Element Number	Element Name	Total Qty	CS1 Qty	CS2 Qty	CS3 Qty	CS4 Qty
109	Prestressed Concrete Open Girder/Beam	60	57	2	1	0 Feet

Element Number	Defect Type	Defect Description	CS	CS Qty	Maint Qty
109	Delamination/Spall	SPAN 87 END OF BEAM 1 OVER BENT 86. HAS A SPALLED AREA. AREA IS: 7" x 7" x 2" DEEP.	3	1	1 Feet
109	Patched Area	SPAN 87 BEAM 1 RIGHT BOTTOM FLANGE OVER BENT 87. sound patch [7in x 9in]	2	1	Feet
109	Patched Area	SPAN 87 BOTTOM OF BEAM 1 AT BENT 87. sound patch [6in x 7in]	2	1	Feet

General Comments

Span 87 Beam 1 Near Bearing

Fixed Bearing

Element Number	Element Name	Total Qty	CS1 Qty	CS2 Qty	CS3 Qty	CS4 Qty
313	Fixed Bearing	1	0	1	0	0 Each
515	Steel Protective Coating	2	1	1	0	0 Square Feet

Element Number	Defect Type	Defect Description	CS	CS Qty	Maint Qty
313	Corrosion	RUST STAINS COMING THROUGH PROTECTIVE COATING.	2	1	Each
515	Effectiveness (Steel Protective Coatings)	paint failure with spot rust	2	1	1 Square Feet

General Comments

Span 87 Beam 1 Far Bearing

Fixed Bearing

Element Number	Element Name	Total Qty	CS1 Qty	CS2 Qty	CS3 Qty	CS4 Qty	
313	Fixed Bearing	1	0	1	0	0	Each
515	Steel Protective Coating	2	1	1	0	0	Square Feet

Element Number	Defect Type	Defect Description	CS	CS Qty	Maint Qty	
313	Corrosion	RUST STAINS COMING THROUGH PROTECTIVE COATING.	2	1		Each
515	Effectiveness (Steel Protective Coatings)	paint failure with spot rust	2	1	1	Square Feet

General Comments

Span 87 Beam 2 Near Bearing

Fixed Bearing

Element Number	Element Name	Total Qty	CS1 Qty	CS2 Qty	CS3 Qty	CS4 Qty	
313	Fixed Bearing	1	0	1	0	0	Each
515	Steel Protective Coating	2	1	1	0	0	Square Feet

Element Number	Defect Type	Defect Description	CS	CS Qty	Maint Qty	
313	Corrosion	RUST STAINS COMING THROUGH PROTECTIVE COATING.	2	1		Each
515	Effectiveness (Steel Protective Coatings)	paint failure with spot rust	2	1	1	Square Feet

General Comments

Span 87 Beam 2 Far Bearing

Fixed Bearing

Element Number	Element Name	Total Qty	CS1 Qty	CS2 Qty	CS3 Qty	CS4 Qty	
313	Fixed Bearing	1	0	1	0	0	Each
515	Steel Protective Coating	2	1	1	0	0	Square Feet

Element Number	Defect Type	Defect Description	CS	CS Qty	Maint Qty	
313	Corrosion	RUST STAINS COMING THROUGH PROTECTIVE COATING.	2	1		Each
515	Effectiveness (Steel Protective Coatings)	paint failure with spot rust	2	1	1	Square Feet

General Comments

Span 87 Beam 3

Prestressed Concrete Girder

Element Number	Element Name	Total Qty	CS1 Qty	CS2 Qty	CS3 Qty	CS4 Qty	
109	Prestressed Concrete Open Girder/Beam	60	59	1	0	0	Feet

Element Number	Defect Type	Defect Description	CS	CS Qty	Maint Qty	
109	Delamination/Spall	right side of bottom flange at bent 87, spall [4in x 4in x 1in deep]	2	1	1	Feet

General Comments

Span 87 **Beam 3 Near Bearing**
Fixed Bearing

Element Number	Element Name	Total Qty	CS1 Qty	CS2 Qty	CS3 Qty	CS4 Qty	
313	Fixed Bearing	1	0	1	0	0	Each
515	Steel Protective Coating	2	1	1	0	0	Square Feet

Element Number	Defect Type	Defect Description	CS	CS Qty	Maint Qty	
313	Corrosion	RUST STAINS COMING THROUGH PROTECTIVE COATING.	2	1		Each
515	Effectiveness (Steel Protective Coatings)	paint failure with spot rust	2	1	1	Square Feet

General Comments

Span 87 **Beam 3 Far Bearing**
Fixed Bearing

Element Number	Element Name	Total Qty	CS1 Qty	CS2 Qty	CS3 Qty	CS4 Qty	
313	Fixed Bearing	1	0	1	0	0	Each
515	Steel Protective Coating	2	1	1	0	0	Square Feet

Element Number	Defect Type	Defect Description	CS	CS Qty	Maint Qty	
313	Corrosion	RUST STAINS COMING THROUGH PROTECTIVE COATING.	2	1		Each
515	Effectiveness (Steel Protective Coatings)	paint failure with spot rust	2	1	1	Square Feet

General Comments

Span 87 **Beam 4 Near Bearing**
Fixed Bearing

Element Number	Element Name	Total Qty	CS1 Qty	CS2 Qty	CS3 Qty	CS4 Qty	
313	Fixed Bearing	1	0	1	0	0	Each
515	Steel Protective Coating	2	1	1	0	0	Square Feet

Element Number	Defect Type	Defect Description	CS	CS Qty	Maint Qty	
313	Corrosion	RUST STAINS COMING THROUGH PROTECTIVE COATING.	2	1		Each
515	Effectiveness (Steel Protective Coatings)	paint failure with spot rust	2	1	1	Square Feet

General Comments

Span 87 **Beam 4 Far Bearing**
Fixed Bearing

Element Number	Element Name	Total Qty	CS1 Qty	CS2 Qty	CS3 Qty	CS4 Qty	
313	Fixed Bearing	1	0	1	0	0	Each
515	Steel Protective Coating	2	1	1	0	0	Square Feet

Element Number	Defect Type	Defect Description	CS	CS Qty	Maint Qty	
313	Corrosion	RUST STAINS COMING THROUGH PROTECTIVE COATING.	2	1		Each
515	Effectiveness (Steel Protective Coatings)	paint failure with spot rust	2	1	1	Square Feet

General Comments

Span 88 Deck

Reinforced Concrete Deck

Element Number	Element Name	Total Qty	CS1 Qty	CS2 Qty	CS3 Qty	CS4 Qty	
12	Reinforced Concrete Deck	2,022	1,120	902	0	0	Square Feet

Element Number	Defect Type	Defect Description	CS	CS Qty	Maint Qty	
12	Patched Areas	at centerline over bent 88, sound patch [1ft x 6ft]	2	2		Square Feet
12	Cracking (RC and Other)	SPAN 88 BOTTOM OF DECK HAS SCATTERED MAP CRACKING.	2	900	900	Square Feet

General Comments

Span 88 Beam 1 Near Bearing

Fixed Bearing

Element Number	Element Name	Total Qty	CS1 Qty	CS2 Qty	CS3 Qty	CS4 Qty	
313	Fixed Bearing	1	0	1	0	0	Each
515	Steel Protective Coating	2	1	1	0	0	Square Feet

Element Number	Defect Type	Defect Description	CS	CS Qty	Maint Qty	
313	Corrosion	RUST STAINS COMING THROUGH PROTECTIVE COATING.	2	1		Each
515	Effectiveness (Steel Protective Coatings)	paint failure with spot rust	2	1	1	Square Feet

General Comments

Span 88 Beam 1 Far Bearing

Fixed Bearing

Element Number	Element Name	Total Qty	CS1 Qty	CS2 Qty	CS3 Qty	CS4 Qty	
313	Fixed Bearing	1	0	1	0	0	Each
515	Steel Protective Coating	2	1	1	0	0	Square Feet

Element Number	Defect Type	Defect Description	CS	CS Qty	Maint Qty	
313	Corrosion	RUST STAINS COMING THROUGH PROTECTIVE COATING.	2	1		Each
515	Effectiveness (Steel Protective Coatings)	paint failure with spot rust	2	1	1	Square Feet

General Comments

Span 88 Beam 2

Prestressed Concrete Girder

Element Number	Element Name	Total Qty	CS1 Qty	CS2 Qty	CS3 Qty	CS4 Qty	
109	Prestressed Concrete Open Girder/Beam	60	58	1	1	0	Feet

Element Number	Defect Type	Defect Description	CS	CS Qty	Maint Qty	
109	Cracking (PSC)	SPAN 88 BEAM 2 RIGHT BOTTOM FLANGE OVER BENT 88. HAS A 8" LONG x 1/16" CRACK.	3	1	1	Feet
109	Patched Area	SPAN 88 BEAM 2 LEFT BOTTOM FLANGE OVER BENT 87. sound patch [7in x 9in]	2	1		Feet

General Comments

Span 88 Beam 2 Near Bearing

Fixed Bearing

Element Number	Element Name	Total Qty	CS1 Qty	CS2 Qty	CS3 Qty	CS4 Qty	
313	Fixed Bearing	1	0	1	0	0	Each
515	Steel Protective Coating	2	1	1	0	0	Square Feet

Element Number	Defect Type	Defect Description	CS	CS Qty	Maint Qty	
313	Corrosion	RUST STAINS COMING THROUGH PROTECTIVE COATING.	2	1		Each
515	Effectiveness (Steel Protective Coatings)	paint failure with spot rust	2	1	1	Square Feet

General Comments

Span 88 Beam 2 Far Bearing

Fixed Bearing

Element Number	Element Name	Total Qty	CS1 Qty	CS2 Qty	CS3 Qty	CS4 Qty	
313	Fixed Bearing	1	0	1	0	0	Each
515	Steel Protective Coating	2	1	1	0	0	Square Feet

Element Number	Defect Type	Defect Description	CS	CS Qty	Maint Qty	
313	Corrosion	RUST STAINS COMING THROUGH PROTECTIVE COATING.	2	1		Each
515	Effectiveness (Steel Protective Coatings)	paint failure with spot rust	2	1	1	Square Feet

General Comments

Span 88 Beam 3

Prestressed Concrete Girder

Element Number	Element Name	Total Qty	CS1 Qty	CS2 Qty	CS3 Qty	CS4 Qty	
109	Prestressed Concrete Open Girder/Beam	60	57	0	3	0	Feet

Element Number	Defect Type	Defect Description	CS	CS Qty	Maint Qty	
109	Delamination/Spall	SPAN 88 BEAM 3 RIGHT BOTTOM FLANGE OVER BENT 88. DELAMINATED AREA THAT IS 2' LONG X 18" TALL	3			Feet
109	Exposed Rebar	PAR: 3' LONG X 10" TALL X 3" DEEP SPALL WITH EXPOSED STRANDS WITH SECTION LOSS ON BOTTOM LEFT FLANGE AT BENT 88	3	3	3	Feet

General Comments

Span 88 Beam 3 Near Bearing

Fixed Bearing

Element Number	Element Name	Total Qty	CS1 Qty	CS2 Qty	CS3 Qty	CS4 Qty	
313	Fixed Bearing	1	0	1	0	0	Each
515	Steel Protective Coating	2	1	1	0	0	Square Feet

Element Number	Defect Type	Defect Description	CS	CS Qty	Maint Qty	
----------------	-------------	--------------------	----	--------	-----------	--

Structure Number: 070007Inspection Date: 03/03/2022

313	Corrosion	RUST STAINS COMING THROUGH PROTECTIVE COATING.	2	1	Each
515	Effectiveness (Steel Protective Coatings)	paint failure with spot rust	2	1	1 Square Feet

General Comments

Span 88 Beam 3 Far Bearing

Fixed Bearing

Element Number	Element Name	Total Qty	CS1 Qty	CS2 Qty	CS3 Qty	CS4 Qty
313	Fixed Bearing	1	0	1	0	0 Each
515	Steel Protective Coating	2	1	1	0	0 Square Feet

Element Number	Defect Type	Defect Description	CS	CS Qty	Maint Qty
313	Corrosion	RUST STAINS COMING THROUGH PROTECTIVE COATING.	2	1	Each
515	Effectiveness (Steel Protective Coatings)	paint failure with spot rust	2	1	1 Square Feet

General Comments

Span 88 Beam 4

Prestressed Concrete Girder

Element Number	Element Name	Total Qty	CS1 Qty	CS2 Qty	CS3 Qty	CS4 Qty
109	Prestressed Concrete Open Girder/Beam	60	47	12	1	0 Feet

Element Number	Defect Type	Defect Description	CS	CS Qty	Maint Qty
109	Cracking (PSC)	right side of bottom flange at bent 88, vertical crack [18in x 0.03in]	3	1	1 Feet
109	Delamination/Spall	SPAN 88 BEAM 4 LEFT BOTTOM FLANGE OVER BENT 88. HAS A SPALLED AREA. AREA IS: 3" x 5" x 1" DEEP.	2		1 Feet
109	Cracking (PSC)	starting at bent 87, cracks and voids [up to 1 deep, cracking [up to 1/8in wide] connecting voids with additional voids	2	12	12 Feet

General Comments

Span 88 Beam 4 Near Bearing

Fixed Bearing

Element Number	Element Name	Total Qty	CS1 Qty	CS2 Qty	CS3 Qty	CS4 Qty
313	Fixed Bearing	1	0	1	0	0 Each
515	Steel Protective Coating	2	1	1	0	0 Square Feet

Element Number	Defect Type	Defect Description	CS	CS Qty	Maint Qty
313	Corrosion	RUST STAINS COMING THROUGH PROTECTIVE COATING.	2	1	Each
515	Effectiveness (Steel Protective Coatings)	paint failure with spot rust	2	1	1 Square Feet

General Comments

Span 88 Beam 4 Far Bearing

Fixed Bearing

Element Number	Element Name	Total Qty	CS1 Qty	CS2 Qty	CS3 Qty	CS4 Qty	
313	Fixed Bearing	1	0	1	0	0	Each
515	Steel Protective Coating	2	1	1	0	0	Square Feet

Element Number	Defect Type	Defect Description	CS	CS Qty	Maint Qty	
313	Corrosion	RUST STAINS COMING THROUGH PROTECTIVE COATING.	2	1		Each
515	Effectiveness (Steel Protective Coatings)	paint failure with spot rust	2	1	1	Square Feet

General Comments

Span 89 Deck

Reinforced Concrete Deck

Element Number	Element Name	Total Qty	CS1 Qty	CS2 Qty	CS3 Qty	CS4 Qty	
12	Reinforced Concrete Deck	2,022	801	1,221	0	0	Square Feet

Element Number	Defect Type	Defect Description	CS	CS Qty	Maint Qty	
12	Cracking (RC and Other)	SPAN 89 BOTTOM OF DECK HAS SCATTERED MAP CRACKING.	2	1,100	1,100	Square Feet
12	Abrasion/Wear (PSC/RC)	10ft from bent 89, area of abrasion [up to 1/4in deep]	2	120		Square Feet
12	Patched Areas	in left lane at bent 88, sound patch [12in x 6in]	2	1		Square Feet

General Comments

Span 89 Beam 1

Prestressed Concrete Girder

Element Number	Element Name	Total Qty	CS1 Qty	CS2 Qty	CS3 Qty	CS4 Qty	
109	Prestressed Concrete Open Girder/Beam	60	59	0	1	0	Feet

Element Number	Defect Type	Defect Description	CS	CS Qty	Maint Qty	
109	Delamination/Spall	SPAN 89 BEAM 1 RIGHT BOTTOM FLANGE OVER BENT 89. HAS A SPALLED AREA WITH 1 CABLE EXPOSED. AREA IS: 3" x 6" x 6" DEEP. THIS AREA HAS AN EPOXY REPAIR.	3	1	1	Feet

General Comments

Span 89 Beam 1 Near Bearing

Fixed Bearing

Element Number	Element Name	Total Qty	CS1 Qty	CS2 Qty	CS3 Qty	CS4 Qty	
313	Fixed Bearing	1	0	1	0	0	Each
515	Steel Protective Coating	2	1	1	0	0	Square Feet

Element Number	Defect Type	Defect Description	CS	CS Qty	Maint Qty	
313	Corrosion	RUST STAINS COMING THROUGH PROTECTIVE COATING.	2	1		Each
515	Effectiveness (Steel Protective Coatings)	paint failure with spot rust	2	1	1	Square Feet

General Comments

Span 89 Beam 1 Far Bearing

Fixed Bearing

Element Number	Element Name	Total Qty	CS1 Qty	CS2 Qty	CS3 Qty	CS4 Qty
313	Fixed Bearing	1	0	1	0	0 Each
515	Steel Protective Coating	2	1	1	0	0 Square Feet

Element Number	Defect Type	Defect Description	CS	CS Qty	Maint Qty
313	Corrosion	RUST STAINS COMING THROUGH PROTECTIVE COATING.	2	1	Each
515	Effectiveness (Steel Protective Coatings)	paint failure with spot rust	2	1	1 Square Feet
General Comments					

Span 89 Beam 2

Prestressed Concrete Girder

Element Number	Element Name	Total Qty	CS1 Qty	CS2 Qty	CS3 Qty	CS4 Qty
109	Prestressed Concrete Open Girder/Beam	60	58	1	1	0 Feet

Element Number	Defect Type	Defect Description	CS	CS Qty	Maint Qty
109	Delamination/Spall	SPAN 89 BOTTOM OF BEAM 2 AT BENT 88. HAS A CRACK/SPALL AND DELAMINATED AREA. AREA IS: 6" x 8" x 1" DEEP.	3	1	1 Feet
109	Patched Area	SPAN 89 BEAM 2 LEFT BOTTOM FLANGE OVER BENT 88. sound patch [6in x 8in]	2	1	Feet
General Comments					

Span 89 Beam 2 Near Bearing

Fixed Bearing

Element Number	Element Name	Total Qty	CS1 Qty	CS2 Qty	CS3 Qty	CS4 Qty
313	Fixed Bearing	1	0	1	0	0 Each
515	Steel Protective Coating	2	1	1	0	0 Square Feet

Element Number	Defect Type	Defect Description	CS	CS Qty	Maint Qty
313	Corrosion	RUST STAINS COMING THROUGH PROTECTIVE COATING.	2	1	Each
515	Effectiveness (Steel Protective Coatings)	paint failure with spot rust	2	1	1 Square Feet
General Comments					

Span 89 Beam 2 Far Bearing

Fixed Bearing

Element Number	Element Name	Total Qty	CS1 Qty	CS2 Qty	CS3 Qty	CS4 Qty
313	Fixed Bearing	1	0	1	0	0 Each
515	Steel Protective Coating	2	1	1	0	0 Square Feet

Element Number	Defect Type	Defect Description	CS	CS Qty	Maint Qty
313	Corrosion	RUST STAINS COMING THROUGH PROTECTIVE COATING.	2	1	Each
515	Effectiveness (Steel Protective Coatings)	paint failure with spot rust	2	1	1 Square Feet

General Comments

Span 89 Beam 3

Prestressed Concrete Girder

Element Number	Element Name	Total Qty	CS1 Qty	CS2 Qty	CS3 Qty	CS4 Qty
109	Prestressed Concrete Open Girder/Beam	60	57	3	0	0 Feet

Element Number	Defect Type	Defect Description	CS	CS Qty	Maint Qty
109	Patched Area	SPAN 89 BEAM 3 RIGHT BOTTOM FLANGE OVER BENT 88. sound patch [7in x 8in]	2	1	Feet
109	Patched Area	SPAN 89 BEAM 3 LEFT BOTTOM FLANGE OVER BENT 89. sound patch [8in x 16in]	2	2	Feet
109	Patched Area	SPAN 89 BEAM 3 LEFT BOTTOM FLANGE OVER BENT 88. sound patch [7in x 7in]	2		Feet

General Comments

Span 89 Beam 3 Near Bearing

Fixed Bearing

Element Number	Element Name	Total Qty	CS1 Qty	CS2 Qty	CS3 Qty	CS4 Qty
313	Fixed Bearing	1	0	1	0	0 Each
515	Steel Protective Coating	2	1	1	0	0 Square Feet

Element Number	Defect Type	Defect Description	CS	CS Qty	Maint Qty
313	Corrosion	RUST STAINS COMING THROUGH PROTECTIVE COATING.	2	1	Each
515	Effectiveness (Steel Protective Coatings)	paint failure with spot rust	2	1	1 Square Feet

General Comments

Span 89 Beam 3 Far Bearing

Fixed Bearing

Element Number	Element Name	Total Qty	CS1 Qty	CS2 Qty	CS3 Qty	CS4 Qty
313	Fixed Bearing	1	0	1	0	0 Each
515	Steel Protective Coating	2	1	1	0	0 Square Feet

Element Number	Defect Type	Defect Description	CS	CS Qty	Maint Qty
313	Corrosion	RUST STAINS COMING THROUGH PROTECTIVE COATING.	2	1	Each
515	Effectiveness (Steel Protective Coatings)	paint failure with spot rust	2	1	1 Square Feet

General Comments

Span 89 Beam 4

Prestressed Concrete Girder

Element Number	Element Name	Total Qty	CS1 Qty	CS2 Qty	CS3 Qty	CS4 Qty
109	Prestressed Concrete Open Girder/Beam	60	59	1	0	0 Feet

Element Number	Defect Type	Defect Description	CS	CS Qty	Maint Qty
----------------	-------------	--------------------	----	--------	-----------

109 Patched Area SPAN 89 BEAM 4 LEFT BOTTOM FLANGE OVER BENT 89. 2 1 Feet
 sound patch [9in x 12in]

General Comments

Span 89 Beam 4 Near Bearing

Fixed Bearing

Element Number	Element Name	Total Qty	CS1 Qty	CS2 Qty	CS3 Qty	CS4 Qty	
313	Fixed Bearing	1	0	1	0	0	Each
515	Steel Protective Coating	2	1	1	0	0	Square Feet

Element Number	Defect Type	Defect Description	CS	CS Qty	Maint Qty	
313	Corrosion	RUST STAINS COMING THROUGH PROTECTIVE COATING.	2	1		Each
515	Effectiveness (Steel Protective Coatings)	paint failure with spot rust	2	1	1	Square Feet

General Comments

Span 89 Beam 4 Far Bearing

Fixed Bearing

Element Number	Element Name	Total Qty	CS1 Qty	CS2 Qty	CS3 Qty	CS4 Qty	
313	Fixed Bearing	1	0	1	0	0	Each
515	Steel Protective Coating	2	1	1	0	0	Square Feet

Element Number	Defect Type	Defect Description	CS	CS Qty	Maint Qty	
313	Corrosion	RUST STAINS COMING THROUGH PROTECTIVE COATING.	2	1		Each
515	Effectiveness (Steel Protective Coatings)	paint failure with spot rust	2	1	1	Square Feet

General Comments

Span 90 Deck

Reinforced Concrete Deck

Element Number	Element Name	Total Qty	CS1 Qty	CS2 Qty	CS3 Qty	CS4 Qty	
12	Reinforced Concrete Deck	2,022	1,620	402	0	0	Square Feet

Element Number	Defect Type	Defect Description	CS	CS Qty	Maint Qty	
12	Cracking (RC and Other)	SPAN 90 BOTTOM OF DECK HAS SCATTERED MAP CRACKING.	2	400	400	Square Feet
12	Patched Areas	in left lane at bent 90, [2] two sound patches [up to 18in x 6in]	2	2		Square Feet

General Comments

Span 90 Beam 1

Prestressed Concrete Girder

Element Number	Element Name	Total Qty	CS1 Qty	CS2 Qty	CS3 Qty	CS4 Qty	
109	Prestressed Concrete Open Girder/Beam	60	59	1	0	0	Feet

Element Number	Defect Type	Defect Description	CS	CS Qty	Maint Qty	
----------------	-------------	--------------------	----	--------	-----------	--

109 Patched Area SPAN 90 BEAM 1 RIGHT BOTTOM FLANGE OVER BENT 90. 2 1 Feet
 sound patch [7in x 7in]

General Comments

Span 90 Beam 1 Near Bearing

Fixed Bearing

Element Number	Element Name	Total Qty	CS1 Qty	CS2 Qty	CS3 Qty	CS4 Qty	
313	Fixed Bearing	1	0	1	0	0	Each
515	Steel Protective Coating	2	1	1	0	0	Square Feet

Element Number	Defect Type	Defect Description	CS	CS Qty	Maint Qty	
313	Corrosion	RUST STAINS COMING THROUGH PROTECTIVE COATING.	2	1		Each
515	Effectiveness (Steel Protective Coatings)	paint failure with spot rust	2	1	1	Square Feet

General Comments

Span 90 Beam 1 Far Bearing

Fixed Bearing

Element Number	Element Name	Total Qty	CS1 Qty	CS2 Qty	CS3 Qty	CS4 Qty	
313	Fixed Bearing	1	0	1	0	0	Each
515	Steel Protective Coating	2	1	1	0	0	Square Feet

Element Number	Defect Type	Defect Description	CS	CS Qty	Maint Qty	
313	Corrosion	RUST STAINS COMING THROUGH PROTECTIVE COATING.	2	1		Each
515	Effectiveness (Steel Protective Coatings)	paint failure with spot rust	2	1	1	Square Feet

General Comments

Span 90 Beam 2 Near Bearing

Fixed Bearing

Element Number	Element Name	Total Qty	CS1 Qty	CS2 Qty	CS3 Qty	CS4 Qty	
313	Fixed Bearing	1	0	1	0	0	Each
515	Steel Protective Coating	2	1	1	0	0	Square Feet

Element Number	Defect Type	Defect Description	CS	CS Qty	Maint Qty	
313	Corrosion	RUST STAINS COMING THROUGH PROTECTIVE COATING.	2	1		Each
515	Effectiveness (Steel Protective Coatings)	paint failure with spot rust	2	1	1	Square Feet

General Comments

Span 90 Beam 2 Far Bearing

Fixed Bearing

Element Number	Element Name	Total Qty	CS1 Qty	CS2 Qty	CS3 Qty	CS4 Qty	
313	Fixed Bearing	1	0	1	0	0	Each
515	Steel Protective Coating	2	1	1	0	0	Square Feet

Element Number	Defect Type	Defect Description	CS	CS Qty	Maint Qty	
313	Corrosion	RUST STAINS COMING THROUGH PROTECTIVE COATING.	2	1		Each
515	Effectiveness (Steel Protective Coatings)	paint failure with spot rust	2	1	1	Square Feet

General Comments

Span 90 Beam 3

Prestressed Concrete Girder

Element Number	Element Name	Total Qty	CS1 Qty	CS2 Qty	CS3 Qty	CS4 Qty	
109	Prestressed Concrete Open Girder/Beam	60	58	2	0	0	Feet

Element Number	Defect Type	Defect Description	CS	CS Qty	Maint Qty	
109	Patched Area	SPAN 90 BEAM 3 RIGHT BOTTOM FLANGE OVER BENT 89. sound patch [10in x 13in]	2	1		Feet
109	Patched Area	SPAN 90 BEAM 3 LEFT BOTTOM FLANGE OVER BENT 90. sound patch [10in x 11in]	2	1		Feet

General Comments

Span 90 Beam 3 Near Bearing

Fixed Bearing

Element Number	Element Name	Total Qty	CS1 Qty	CS2 Qty	CS3 Qty	CS4 Qty	
313	Fixed Bearing	1	0	1	0	0	Each
515	Steel Protective Coating	2	1	1	0	0	Square Feet

Element Number	Defect Type	Defect Description	CS	CS Qty	Maint Qty	
313	Corrosion	RUST STAINS COMING THROUGH PROTECTIVE COATING.	2	1		Each
515	Effectiveness (Steel Protective Coatings)	paint failure with spot rust	2	1	1	Square Feet

General Comments

Span 90 Beam 3 Far Bearing

Fixed Bearing

Element Number	Element Name	Total Qty	CS1 Qty	CS2 Qty	CS3 Qty	CS4 Qty	
313	Fixed Bearing	1	0	1	0	0	Each
515	Steel Protective Coating	2	1	1	0	0	Square Feet

Element Number	Defect Type	Defect Description	CS	CS Qty	Maint Qty	
313	Corrosion	RUST STAINS COMING THROUGH PROTECTIVE COATING.	2	1		Each
515	Effectiveness (Steel Protective Coatings)	paint failure with spot rust	2	1	1	Square Feet

General Comments

Span 90 Beam 4

Prestressed Concrete Girder

Element Number	Element Name	Total Qty	CS1 Qty	CS2 Qty	CS3 Qty	CS4 Qty	
109	Prestressed Concrete Open Girder/Beam	60	59	1	0	0	Feet

Element Number	Defect Type	Defect Description	CS	CS Qty	Maint Qty	
109	Patched Area	SPAN 90 BEAM 4 LEFT BOTTOM FLANGE OVER BENT 89. sound patch [7in x 12in]	2	1		Feet
General Comments						

Span 90 Beam 4 Near Bearing

Fixed Bearing

Element Number	Element Name	Total Qty	CS1 Qty	CS2 Qty	CS3 Qty	CS4 Qty	
313	Fixed Bearing	1	0	1	0	0	Each
515	Steel Protective Coating	2	1	1	0	0	Square Feet

Element Number	Defect Type	Defect Description	CS	CS Qty	Maint Qty	
313	Corrosion	RUST STAINS COMING THROUGH PROTECTIVE COATING.	2	1		Each
515	Effectiveness (Steel Protective Coatings)	paint failure with spot rust	2	1	1	Square Feet
General Comments						

Span 90 Beam 4 Far Bearing

Fixed Bearing

Element Number	Element Name	Total Qty	CS1 Qty	CS2 Qty	CS3 Qty	CS4 Qty	
313	Fixed Bearing	1	0	1	0	0	Each
515	Steel Protective Coating	2	1	1	0	0	Square Feet

Element Number	Defect Type	Defect Description	CS	CS Qty	Maint Qty	
313	Corrosion	RUST STAINS COMING THROUGH PROTECTIVE COATING.	2	1		Each
515	Effectiveness (Steel Protective Coatings)	paint failure with spot rust	2	1	1	Square Feet
General Comments						

Span 91 Deck

Reinforced Concrete Deck

Element Number	Element Name	Total Qty	CS1 Qty	CS2 Qty	CS3 Qty	CS4 Qty	
12	Reinforced Concrete Deck	2,022	1,322	700	0	0	Square Feet

Element Number	Defect Type	Defect Description	CS	CS Qty	Maint Qty	
12	Cracking (RC and Other)	SPAN 91 BOTTOM OF DECK HAS SCATTERED MAP CRACKING.	2	600	600	Square Feet
12	Cracking (RC and Other)	throughout surface, multiple longitudinal cracks [1/32in x 2ft]	2	100	100	Square Feet
General Comments						

Span 91 Beam 1

Prestressed Concrete Girder

Element Number	Element Name	Total Qty	CS1 Qty	CS2 Qty	CS3 Qty	CS4 Qty
109	Prestressed Concrete Open Girder/Beam	60	59	1	0	0 Feet

Element Number	Defect Type	Defect Description	CS	CS Qty	Maint Qty
109	Patched Area	SPAN 91 BEAM 1 RIGHT BOTTOM FLANGE OVER BENT 90. sound patch [7in x 12in]	2	1	Feet

General Comments

Span 91 Beam 1 Near Bearing

Fixed Bearing

Element Number	Element Name	Total Qty	CS1 Qty	CS2 Qty	CS3 Qty	CS4 Qty
313	Fixed Bearing	1	0	1	0	0 Each
515	Steel Protective Coating	2	1	1	0	0 Square Feet

Element Number	Defect Type	Defect Description	CS	CS Qty	Maint Qty
313	Corrosion	RUST STAINS COMING THROUGH PROTECTIVE COATING.	2	1	Each
515	Effectiveness (Steel Protective Coatings)	paint failure with spot rust	2	1	1 Square Feet

General Comments

Span 91 Beam 1 Far Bearing

Fixed Bearing

Element Number	Element Name	Total Qty	CS1 Qty	CS2 Qty	CS3 Qty	CS4 Qty
313	Fixed Bearing	1	0	1	0	0 Each
515	Steel Protective Coating	2	1	1	0	0 Square Feet

Element Number	Defect Type	Defect Description	CS	CS Qty	Maint Qty
313	Corrosion	RUST STAINS COMING THROUGH PROTECTIVE COATING.	2	1	Each
515	Effectiveness (Steel Protective Coatings)	paint failure with spot rust	2	1	1 Square Feet

General Comments

Span 91 Beam 2

Prestressed Concrete Girder

Element Number	Element Name	Total Qty	CS1 Qty	CS2 Qty	CS3 Qty	CS4 Qty
109	Prestressed Concrete Open Girder/Beam	60	59	1	0	0 Feet

Element Number	Defect Type	Defect Description	CS	CS Qty	Maint Qty
109	Patched Area	SPAN 91 BEAM 2 LEFT BOTTOM FLANGE OVER BENT 90. sound patch [11in x 13in]	2		Feet
109	Patched Area	SPAN 91 BEAM 2 RIGHT BOTTOM FLANGE OVER BENT 90. sound patch [9in x 9in]	2	1	Feet

General Comments

Span 91 **Beam 2 Near Bearing**
Fixed Bearing

Element Number	Element Name	Total Qty	CS1 Qty	CS2 Qty	CS3 Qty	CS4 Qty	
313	Fixed Bearing	1	0	1	0	0	Each
515	Steel Protective Coating	2	2	0	0	0	Square Feet

Element Number	Defect Type	Defect Description	CS	CS Qty	Maint Qty	
313	Corrosion	RUST STAINS COMING THROUGH PROTECTIVE COATING.	2	1		Each

General Comments

Span 91 **Beam 2 Far Bearing**
Fixed Bearing

Element Number	Element Name	Total Qty	CS1 Qty	CS2 Qty	CS3 Qty	CS4 Qty	
313	Fixed Bearing	1	0	1	0	0	Each
515	Steel Protective Coating	2	1	1	0	0	Square Feet

Element Number	Defect Type	Defect Description	CS	CS Qty	Maint Qty	
313	Corrosion	RUST STAINS COMING THROUGH PROTECTIVE COATING.	2	1		Each
515	Effectiveness (Steel Protective Coatings)	paint failure with spot rust	2	1	1	Square Feet

General Comments

Span 91 **Beam 3 Near Bearing**
Fixed Bearing

Element Number	Element Name	Total Qty	CS1 Qty	CS2 Qty	CS3 Qty	CS4 Qty	
313	Fixed Bearing	1	0	1	0	0	Each
515	Steel Protective Coating	2	1	1	0	0	Square Feet

Element Number	Defect Type	Defect Description	CS	CS Qty	Maint Qty	
313	Corrosion	RUST STAINS COMING THROUGH PROTECTIVE COATING.	2	1		Each
515	Effectiveness (Steel Protective Coatings)	paint failure with spot rust	2	1	1	Square Feet

General Comments

Span 91 **Beam 3 Far Bearing**
Fixed Bearing

Element Number	Element Name	Total Qty	CS1 Qty	CS2 Qty	CS3 Qty	CS4 Qty	
313	Fixed Bearing	1	0	1	0	0	Each
515	Steel Protective Coating	2	1	1	0	0	Square Feet

Element Number	Defect Type	Defect Description	CS	CS Qty	Maint Qty	
313	Corrosion	RUST STAINS COMING THROUGH PROTECTIVE COATING.	2	1		Each
515	Effectiveness (Steel Protective Coatings)	paint failure with spot rust	2	1	1	Square Feet

General Comments

Span 91 Beam 4 Near Bearing

Fixed Bearing

Element Number	Element Name	Total Qty	CS1 Qty	CS2 Qty	CS3 Qty	CS4 Qty	
313	Fixed Bearing	1	0	1	0	0	Each
515	Steel Protective Coating	2	1	1	0	0	Square Feet

Element Number	Defect Type	Defect Description	CS	CS Qty	Maint Qty	
313	Corrosion	RUST STAINS COMING THROUGH PROTECTIVE COATING.	2	1		Each
515	Effectiveness (Steel Protective Coatings)	paint failure with spot rust	2	1	1	Square Feet

General Comments

Span 91 Beam 4 Far Bearing

Fixed Bearing

Element Number	Element Name	Total Qty	CS1 Qty	CS2 Qty	CS3 Qty	CS4 Qty	
313	Fixed Bearing	1	0	1	0	0	Each
515	Steel Protective Coating	2	1	1	0	0	Square Feet

Element Number	Defect Type	Defect Description	CS	CS Qty	Maint Qty	
313	Corrosion	RUST STAINS COMING THROUGH PROTECTIVE COATING.	2	1		Each
515	Effectiveness (Steel Protective Coatings)	paint failure with spot rust	2	1	1	Square Feet

General Comments

Span 92 Deck

Reinforced Concrete Deck

Element Number	Element Name	Total Qty	CS1 Qty	CS2 Qty	CS3 Qty	CS4 Qty	
12	Reinforced Concrete Deck	2,022	1,542	480	0	0	Square Feet

Element Number	Defect Type	Defect Description	CS	CS Qty	Maint Qty	
12	Cracking (RC and Other)	SPAN 92 BOTTOM OF DECK HAS SCATTERED MAP CRACKING.	2	400	400	Square Feet
12	Cracking (RC and Other)	throughout surface, multiple longitudinal cracks [1/32in x 2ft]	2	80	80	Square Feet

General Comments

Span 92 Expansion Joint over Bent 91

Standard Joint

Element Number	Element Name	Total Qty	CS1 Qty	CS2 Qty	CS3 Qty	CS4 Qty	
301	Pourable Joint Seal	34	33	0	0	1	Feet

Element Number	Defect Type	Defect Description	CS	CS Qty	Maint Qty	
301	Seal Adhesion	at centerline, loss of seal adhesion [1ft x full depth]	4	1	1	Feet

General Comments

Span 92 Beam 1 Near Bearing

Fixed Bearing

Element Number	Element Name	Total Qty	CS1 Qty	CS2 Qty	CS3 Qty	CS4 Qty	
313	Fixed Bearing	1	0	1	0	0	Each
515	Steel Protective Coating	2	1	1	0	0	Square Feet

Element Number	Defect Type	Defect Description	CS	CS Qty	Maint Qty	
313	Corrosion	RUST STAINS COMING THROUGH PROTECTIVE COATING.	2	1		Each
515	Effectiveness (Steel Protective Coatings)	paint failure with spot rust	2	1	1	Square Feet

General Comments

Span 92 Beam 1 Far Bearing

Fixed Bearing

Element Number	Element Name	Total Qty	CS1 Qty	CS2 Qty	CS3 Qty	CS4 Qty	
313	Fixed Bearing	1	0	1	0	0	Each
515	Steel Protective Coating	2	1	1	0	0	Square Feet

Element Number	Defect Type	Defect Description	CS	CS Qty	Maint Qty	
313	Corrosion	RUST STAINS COMING THROUGH PROTECTIVE COATING.	2	1		Each
515	Effectiveness (Steel Protective Coatings)	paint failure with spot rust	2	1	1	Square Feet

General Comments

Span 92 Beam 2

Prestressed Concrete Girder

Element Number	Element Name	Total Qty	CS1 Qty	CS2 Qty	CS3 Qty	CS4 Qty	
109	Prestressed Concrete Open Girder/Beam	60	57	1	2	0	Feet

Element Number	Defect Type	Defect Description	CS	CS Qty	Maint Qty	
109	Delamination/Spall	SPAN 92 BOTTOM OF BEAM 2 AT BENT 91. HAS A CRACK/SPALL AND DELAMINATED AREA WITH REBAR VISIBLE. AREA IS: 7" x 20" x 1" DEEP.	3	2	2	Feet
109	Patched Area	SPAN 92 BEAM 2 LEFT BOTTOM FLANGE OVER BENT 91. sound patch [7in x 12in]	2	1		Feet

General Comments

Span 92 Beam 2 Near Bearing

Fixed Bearing

Element Number	Element Name	Total Qty	CS1 Qty	CS2 Qty	CS3 Qty	CS4 Qty	
313	Fixed Bearing	1	0	1	0	0	Each
515	Steel Protective Coating	2	1	1	0	0	Square Feet

Element Number	Defect Type	Defect Description	CS	CS Qty	Maint Qty	
313	Corrosion	RUST STAINS COMING THROUGH PROTECTIVE COATING.	2	1		Each
515	Effectiveness (Steel Protective Coatings)	paint failure with spot rust	2	1	1	Square Feet

General Comments

Span 92 Beam 2 Far Bearing

Fixed Bearing

Element Number	Element Name	Total Qty	CS1 Qty	CS2 Qty	CS3 Qty	CS4 Qty	
313	Fixed Bearing	1	0	1	0	0	Each
515	Steel Protective Coating	2	1	1	0	0	Square Feet

Element Number	Defect Type	Defect Description	CS	CS Qty	Maint Qty	
313	Corrosion	RUST STAINS COMING THROUGH PROTECTIVE COATING.	2	1		Each
515	Effectiveness (Steel Protective Coatings)	paint failure with spot rust	2	1	1	Square Feet

General Comments

Span 92 Beam 3

Prestressed Concrete Girder

Element Number	Element Name	Total Qty	CS1 Qty	CS2 Qty	CS3 Qty	CS4 Qty	
109	Prestressed Concrete Open Girder/Beam	60	59	1	0	0	Feet

Element Number	Defect Type	Defect Description	CS	CS Qty	Maint Qty	
109	Patched Area	SPAN 92 BEAM 3 LEFT BOTTOM FLANGE OVER BENT 91. sound patch [6in x 6in]	2	1		Feet

General Comments

Span 92 Beam 3 Near Bearing

Fixed Bearing

Element Number	Element Name	Total Qty	CS1 Qty	CS2 Qty	CS3 Qty	CS4 Qty	
313	Fixed Bearing	1	0	1	0	0	Each
515	Steel Protective Coating	2	1	1	0	0	Square Feet

Element Number	Defect Type	Defect Description	CS	CS Qty	Maint Qty	
313	Corrosion	RUST STAINS COMING THROUGH PROTECTIVE COATING.	2	1		Each
515	Effectiveness (Steel Protective Coatings)	paint failure with spot rust	2	1	1	Square Feet

General Comments

Span 92 Beam 3 Far Bearing

Fixed Bearing

Element Number	Element Name	Total Qty	CS1 Qty	CS2 Qty	CS3 Qty	CS4 Qty	
313	Fixed Bearing	1	0	1	0	0	Each
515	Steel Protective Coating	2	1	1	0	0	Square Feet

Element Number	Defect Type	Defect Description	CS	CS Qty	Maint Qty	
313	Corrosion	RUST STAINS COMING THROUGH PROTECTIVE COATING.	2	1		Each
515	Effectiveness (Steel Protective Coatings)	paint failure with spot rust	2	1	1	Square Feet

General Comments

Span 92 Beam 4

Prestressed Concrete Girder

Element Number	Element Name	Total Qty	CS1 Qty	CS2 Qty	CS3 Qty	CS4 Qty	
109	Prestressed Concrete Open Girder/Beam	60	59	1	0	0	Feet

Element Number	Defect Type	Defect Description	CS	CS Qty	Maint Qty	
109	Patched Area	SPAN 92 BEAM 4 LEFT BOTTOM FLANGE OVER BENT 91. sound patch [8in x 9in]	2	1		Feet

General Comments

Span 92 Beam 4 Near Bearing

Fixed Bearing

Element Number	Element Name	Total Qty	CS1 Qty	CS2 Qty	CS3 Qty	CS4 Qty	
313	Fixed Bearing	1	0	1	0	0	Each
515	Steel Protective Coating	2	1	1	0	0	Square Feet

Element Number	Defect Type	Defect Description	CS	CS Qty	Maint Qty	
313	Corrosion	RUST STAINS COMING THROUGH PROTECTIVE COATING.	2	1		Each
515	Effectiveness (Steel Protective Coatings)	paint failure with spot rust	2	1	1	Square Feet

General Comments

Span 92 Beam 4 Far Bearing

Fixed Bearing

Element Number	Element Name	Total Qty	CS1 Qty	CS2 Qty	CS3 Qty	CS4 Qty	
313	Fixed Bearing	1	0	1	0	0	Each
515	Steel Protective Coating	2	1	1	0	0	Square Feet

Element Number	Defect Type	Defect Description	CS	CS Qty	Maint Qty	
313	Corrosion	RUST STAINS COMING THROUGH PROTECTIVE COATING.	2	1		Each
515	Effectiveness (Steel Protective Coatings)	paint failure with spot rust	2	1	1	Square Feet

General Comments

Span 93 Deck

Reinforced Concrete Deck

Element Number	Element Name	Total Qty	CS1 Qty	CS2 Qty	CS3 Qty	CS4 Qty	
12	Reinforced Concrete Deck	2,022	1,662	360	0	0	Square Feet

Element Number	Defect Type	Defect Description	CS	CS Qty	Maint Qty	
12	Cracking (RC and Other)	SPAN 93 BOTTOM OF DECK HAS SCATTERED MAP CRACKING.	2	300	300	Square Feet
12	Cracking (RC and Other)	throughout surface, multiple longitudinal cracks [1/32in x 1ft]	2	60	60	Square Feet

General Comments

Span 93 Beam 1
Prestressed Concrete Girder

Element Number	Element Name	Total Qty	CS1 Qty	CS2 Qty	CS3 Qty	CS4 Qty	
109	Prestressed Concrete Open Girder/Beam	60	59	1	0	0	Feet

Element Number	Defect Type	Defect Description	CS	CS Qty	Maint Qty	
109	Patched Area	SPAN 93 BEAM 1 RIGHT BOTTOM FLANGE OVER BENT 93. sound patch [8in x 10in]	2	1		Feet

General Comments

Span 93 Beam 1 Near Bearing
Fixed Bearing

Element Number	Element Name	Total Qty	CS1 Qty	CS2 Qty	CS3 Qty	CS4 Qty	
313	Fixed Bearing	1	0	1	0	0	Each
515	Steel Protective Coating	2	1	1	0	0	Square Feet

Element Number	Defect Type	Defect Description	CS	CS Qty	Maint Qty	
313	Corrosion	RUST STAINS COMING THROUGH PROTECTIVE COATING.	2	1		Each
515	Effectiveness (Steel Protective Coatings)	paint failure with spot rust	2	1	1	Square Feet

General Comments

Span 93 Beam 1 Far Bearing
Fixed Bearing

Element Number	Element Name	Total Qty	CS1 Qty	CS2 Qty	CS3 Qty	CS4 Qty	
313	Fixed Bearing	1	0	1	0	0	Each
515	Steel Protective Coating	2	1	1	0	0	Square Feet

Element Number	Defect Type	Defect Description	CS	CS Qty	Maint Qty	
313	Corrosion	RUST STAINS COMING THROUGH PROTECTIVE COATING.	2	1		Each
515	Effectiveness (Steel Protective Coatings)	paint failure with spot rust	2	1	1	Square Feet

General Comments

Span 93 Beam 2
Prestressed Concrete Girder

Element Number	Element Name	Total Qty	CS1 Qty	CS2 Qty	CS3 Qty	CS4 Qty	
109	Prestressed Concrete Open Girder/Beam	60	58	2	0	0	Feet

Element Number	Defect Type	Defect Description	CS	CS Qty	Maint Qty	
109	Patched Area	SPAN 93 BEAM 2 LEFT BOTTOM FLANGE OVER BENT 93. sound patch [9in x 14in]	2	2		Feet
109	Patched Area	SPAN 93 BEAM 2 RIGHT BOTTOM FLANGE OVER BENT 93. sound patch [10in x 10in]	2			Feet

General Comments

Span 93 Beam 2 Near Bearing

Fixed Bearing

Element Number	Element Name	Total Qty	CS1 Qty	CS2 Qty	CS3 Qty	CS4 Qty	
313	Fixed Bearing	1	0	1	0	0	Each
515	Steel Protective Coating	2	1	1	0	0	Square Feet

Element Number	Defect Type	Defect Description	CS	CS Qty	Maint Qty	
313	Corrosion	RUST STAINS COMING THROUGH PROTECTIVE COATING.	2	1		Each
515	Effectiveness (Steel Protective Coatings)	paint failure with spot rust	2	1	1	Square Feet

General Comments

Span 93 Beam 2 Far Bearing

Fixed Bearing

Element Number	Element Name	Total Qty	CS1 Qty	CS2 Qty	CS3 Qty	CS4 Qty	
313	Fixed Bearing	1	0	1	0	0	Each
515	Steel Protective Coating	2	1	1	0	0	Square Feet

Element Number	Defect Type	Defect Description	CS	CS Qty	Maint Qty	
313	Corrosion	RUST STAINS COMING THROUGH PROTECTIVE COATING.	2	1		Each
515	Effectiveness (Steel Protective Coatings)	paint failure with spot rust	2	1	1	Square Feet

General Comments

Span 93 Beam 3

Prestressed Concrete Girder

Element Number	Element Name	Total Qty	CS1 Qty	CS2 Qty	CS3 Qty	CS4 Qty	
109	Prestressed Concrete Open Girder/Beam	60	58	2	0	0	Feet

Element Number	Defect Type	Defect Description	CS	CS Qty	Maint Qty	
109	Patched Area	SPAN 93 BOTTOM OF BEAM 3 AT BENT 92. sound patch [5in x 8in]	2	1		Feet
109	Patched Area	SPAN 93 BEAM 3 LEFT BOTTOM FLANGE OVER BENT 92. sound patch [8in x 11in]	2	1		Feet

General Comments

Span 93 Beam 3 Near Bearing

Fixed Bearing

Element Number	Element Name	Total Qty	CS1 Qty	CS2 Qty	CS3 Qty	CS4 Qty	
313	Fixed Bearing	1	0	1	0	0	Each
515	Steel Protective Coating	2	1	1	0	0	Square Feet

Element Number	Defect Type	Defect Description	CS	CS Qty	Maint Qty	
313	Corrosion	RUST STAINS COMING THROUGH PROTECTIVE COATING.	2	1		Each
515	Effectiveness (Steel Protective Coatings)	paint failure with spot rust	2	1	1	Square Feet

General Comments

Span 93 **Beam 3 Far Bearing****Fixed Bearing**

Element Number	Element Name	Total Qty	CS1 Qty	CS2 Qty	CS3 Qty	CS4 Qty	
313	Fixed Bearing	1	0	1	0	0	Each
515	Steel Protective Coating	2	1	1	0	0	Square Feet

Element Number	Defect Type	Defect Description	CS	CS Qty	Maint Qty	
313	Corrosion	RUST STAINS COMING THROUGH PROTECTIVE COATING.	2	1		Each
515	Effectiveness (Steel Protective Coatings)	paint failure with spot rust	2	1	1	Square Feet

General Comments

Span 93 **Beam 4 Near Bearing****Fixed Bearing**

Element Number	Element Name	Total Qty	CS1 Qty	CS2 Qty	CS3 Qty	CS4 Qty	
313	Fixed Bearing	1	0	1	0	0	Each
515	Steel Protective Coating	2	1	1	0	0	Square Feet

Element Number	Defect Type	Defect Description	CS	CS Qty	Maint Qty	
313	Corrosion	RUST STAINS COMING THROUGH PROTECTIVE COATING.	2	1		Each
515	Effectiveness (Steel Protective Coatings)	paint failure with spot rust	2	1	1	Square Feet

General Comments

Span 93 **Beam 4 Far Bearing****Fixed Bearing**

Element Number	Element Name	Total Qty	CS1 Qty	CS2 Qty	CS3 Qty	CS4 Qty	
313	Fixed Bearing	1	0	1	0	0	Each
515	Steel Protective Coating	2	1	1	0	0	Square Feet

Element Number	Defect Type	Defect Description	CS	CS Qty	Maint Qty	
313	Corrosion	RUST STAINS COMING THROUGH PROTECTIVE COATING.	2	1		Each
515	Effectiveness (Steel Protective Coatings)	paint failure with spot rust	2	1	1	Square Feet

General Comments

Span 94 **Deck****Reinforced Concrete Deck**

Element Number	Element Name	Total Qty	CS1 Qty	CS2 Qty	CS3 Qty	CS4 Qty	
12	Reinforced Concrete Deck	2,022	1,118	904	0	0	Square Feet

Element Number	Defect Type	Defect Description	CS	CS Qty	Maint Qty	
12	Cracking (RC and Other)	SPAN 94 BOTTOM OF DECK HAS SCATTERED MAP CRACKING.	2	900	900	Square Feet
12	Patched Areas	in left lane at bent 94, sound patch [4ft x 1.5ft]	2	4		Square Feet

General Comments

Span 94 Beam 1 Near Bearing

Fixed Bearing

Element Number	Element Name	Total Qty	CS1 Qty	CS2 Qty	CS3 Qty	CS4 Qty	
313	Fixed Bearing	1	0	1	0	0	Each
515	Steel Protective Coating	2	1	1	0	0	Square Feet

Element Number	Defect Type	Defect Description	CS	CS Qty	Maint Qty	
313	Corrosion	RUST STAINS COMING THROUGH PROTECTIVE COATING.	2	1		Each
515	Effectiveness (Steel Protective Coatings)	paint failure with spot rust	2	1	1	Square Feet

General Comments

Span 94 Beam 1 Far Bearing

Fixed Bearing

Element Number	Element Name	Total Qty	CS1 Qty	CS2 Qty	CS3 Qty	CS4 Qty	
313	Fixed Bearing	1	0	1	0	0	Each
515	Steel Protective Coating	2	1	1	0	0	Square Feet

Element Number	Defect Type	Defect Description	CS	CS Qty	Maint Qty	
313	Corrosion	RUST STAINS COMING THROUGH PROTECTIVE COATING.	2	1		Each
515	Effectiveness (Steel Protective Coatings)	paint failure with spot rust	2	1	1	Square Feet

General Comments

Span 94 Beam 2

Prestressed Concrete Girder

Element Number	Element Name	Total Qty	CS1 Qty	CS2 Qty	CS3 Qty	CS4 Qty	
109	Prestressed Concrete Open Girder/Beam	60	59	1	0	0	Feet

Element Number	Defect Type	Defect Description	CS	CS Qty	Maint Qty	
109	Patched Area	SPAN 94 BEAM 2 LEFT BOTTOM FLANGE OVER BENT 93. sound patch [6in x 6in]	2	1		Feet
109	Patched Area	SPAN 94 BEAM 2 RIGHT BOTTOM FLANGE OVER BENT 93. sound patch [10in x 10in]	2			Feet

General Comments

Span 94 Beam 2 Near Bearing

Fixed Bearing

Element Number	Element Name	Total Qty	CS1 Qty	CS2 Qty	CS3 Qty	CS4 Qty	
313	Fixed Bearing	1	0	1	0	0	Each
515	Steel Protective Coating	2	1	1	0	0	Square Feet

Element Number	Defect Type	Defect Description	CS	CS Qty	Maint Qty	
313	Corrosion	RUST STAINS COMING THROUGH PROTECTIVE COATING.	2	1		Each

Structure Number: 070007

Inspection Date: 03/03/2022

515	Effectiveness (Steel Protective Coatings)	paint failure with spot rust	2	1	1	1	Square Feet
General Comments							

Span 94 Beam 2 Far Bearing

Fixed Bearing

Element Number	Element Name	Total Qty	CS1 Qty	CS2 Qty	CS3 Qty	CS4 Qty	
313	Fixed Bearing	1	0	1	0	0	Each
515	Steel Protective Coating	2	1	1	0	0	Square Feet

Element Number	Defect Type	Defect Description	CS	CS Qty	Maint Qty	
313	Corrosion	RUST STAINS COMING THROUGH PROTECTIVE COATING.	2	1		Each
515	Effectiveness (Steel Protective Coatings)	paint failure with spot rust	2	1	1	Square Feet
General Comments						

Span 94 Beam 3 Near Bearing

Fixed Bearing

Element Number	Element Name	Total Qty	CS1 Qty	CS2 Qty	CS3 Qty	CS4 Qty	
313	Fixed Bearing	1	0	1	0	0	Each
515	Steel Protective Coating	2	1	1	0	0	Square Feet

Element Number	Defect Type	Defect Description	CS	CS Qty	Maint Qty	
313	Corrosion	RUST STAINS COMING THROUGH PROTECTIVE COATING.	2	1		Each
515	Effectiveness (Steel Protective Coatings)	paint failure with spot rust	2	1	1	Square Feet
General Comments						

Span 94 Beam 3 Far Bearing

Fixed Bearing

Element Number	Element Name	Total Qty	CS1 Qty	CS2 Qty	CS3 Qty	CS4 Qty	
313	Fixed Bearing	1	0	1	0	0	Each
515	Steel Protective Coating	2	1	1	0	0	Square Feet

Element Number	Defect Type	Defect Description	CS	CS Qty	Maint Qty	
313	Corrosion	RUST STAINS COMING THROUGH PROTECTIVE COATING.	2	1		Each
515	Effectiveness (Steel Protective Coatings)	paint failure with spot rust	2	1	1	Square Feet
General Comments						

Span 94 Beam 4 Near Bearing

Fixed Bearing

Element Number	Element Name	Total Qty	CS1 Qty	CS2 Qty	CS3 Qty	CS4 Qty	
313	Fixed Bearing	1	0	1	0	0	Each
515	Steel Protective Coating	2	1	1	0	0	Square Feet

Element Number	Defect Type	Defect Description	CS	CS Qty	Maint Qty	
313	Corrosion	RUST STAINS COMING THROUGH PROTECTIVE COATING.	2	1		Each
515	Effectiveness (Steel Protective Coatings)	paint failure with spot rust	2	1	1	Square Feet

General Comments

Span 94 Beam 4 Far Bearing

Fixed Bearing

Element Number	Element Name	Total Qty	CS1 Qty	CS2 Qty	CS3 Qty	CS4 Qty	
313	Fixed Bearing	1	0	1	0	0	Each
515	Steel Protective Coating	2	1	1	0	0	Square Feet

Element Number	Defect Type	Defect Description	CS	CS Qty	Maint Qty	
313	Corrosion	RUST STAINS COMING THROUGH PROTECTIVE COATING.	2	1		Each
515	Effectiveness (Steel Protective Coatings)	paint failure with spot rust	2	1	1	Square Feet

General Comments

Span 95 Deck

Reinforced Concrete Deck

Element Number	Element Name	Total Qty	CS1 Qty	CS2 Qty	CS3 Qty	CS4 Qty	
12	Reinforced Concrete Deck	2,045	1,841	204	0	0	Square Feet

Element Number	Defect Type	Defect Description	CS	CS Qty	Maint Qty	
12	Cracking (RC and Other)	SPAN 95 BOTTOM OF DECK HAS SCATTERED MAP CRACKING.	2	200	200	Square Feet
12	Patched Areas	in left lane at bent 94, sound patch [4ft x 1.5ft]	2	4		Square Feet
12	Cracking (RC and Other)	throughout surface, areas of hairline map cracking	1	120		Square Feet

General Comments

Span 95 Beam 1 Near Bearing

Fixed Bearing

Element Number	Element Name	Total Qty	CS1 Qty	CS2 Qty	CS3 Qty	CS4 Qty	
313	Fixed Bearing	1	0	1	0	0	Each
515	Steel Protective Coating	2	1	1	0	0	Square Feet

Element Number	Defect Type	Defect Description	CS	CS Qty	Maint Qty	
313	Corrosion	RUST STAINS COMING THROUGH PROTECTIVE COATING.	2	1		Each
515	Effectiveness (Steel Protective Coatings)	paint failure with spot rust	2	1	1	Square Feet

General Comments

Span 95 Beam 1 Far Bearing

Fixed Bearing

Element Number	Element Name	Total Qty	CS1 Qty	CS2 Qty	CS3 Qty	CS4 Qty	
313	Fixed Bearing	1	0	1	0	0	Each
515	Steel Protective Coating	2	1	0	1	0	Square Feet

Element Number	Defect Type	Defect Description	CS	CS Qty	Maint Qty	
313	Corrosion	throughout bearing, spot rust	2	1		Each
515	Effectiveness (Steel Protective Coatings)	throughout bearing, limited paint effectiveness with spot rust	3	1	1	Square Feet

General Comments

Span 95 Beam 2

Prestressed Concrete Girder

Element Number	Element Name	Total Qty	CS1 Qty	CS2 Qty	CS3 Qty	CS4 Qty	
109	Prestressed Concrete Open Girder/Beam	60	59	1	0	0	Feet

Element Number	Defect Type	Defect Description	CS	CS Qty	Maint Qty	
109	Delamination/Spall	10" LONG X 10" TALL X 2" DEEP SPALL WITH 2 EXPOSED STRANDS WITH NO SECTION LOSS ON BOTTOM RIGHT FLANGE AT BENT 94	3			Feet
109	Delamination/Spall	SPAN 95 BEAM 2 LEFT BOTTOM FLANGE OVER BENT 94. HAS A CRACK AND DELAMINATED AREA. AREA IS: 5" x 6"	2	1	1	Feet

General Comments

Span 95 Beam 2 Near Bearing

Fixed Bearing

Element Number	Element Name	Total Qty	CS1 Qty	CS2 Qty	CS3 Qty	CS4 Qty	
313	Fixed Bearing	1	0	1	0	0	Each
515	Steel Protective Coating	2	1	1	0	0	Square Feet

Element Number	Defect Type	Defect Description	CS	CS Qty	Maint Qty	
313	Corrosion	RUST STAINS COMING THROUGH PROTECTIVE COATING.	2	1		Each
515	Effectiveness (Steel Protective Coatings)	paint failure with spot rust	2	1	1	Square Feet

General Comments

Span 95 Beam 2 Far Bearing

Fixed Bearing

Element Number	Element Name	Total Qty	CS1 Qty	CS2 Qty	CS3 Qty	CS4 Qty	
313	Fixed Bearing	1	0	1	0	0	Each
515	Steel Protective Coating	2	1	1	0	0	Square Feet

Element Number	Defect Type	Defect Description	CS	CS Qty	Maint Qty	
----------------	-------------	--------------------	----	--------	-----------	--

Structure Number: 070007

Inspection Date: 03/03/2022

313	Corrosion	RUST STAINS COMING THROUGH PROTECTIVE COATING.	2	1	Each
515	Effectiveness (Steel Protective Coatings)	paint failure with spot rust	2	1	1 Square Feet

General Comments

Span 95 Beam 3 Near Bearing

Fixed Bearing

Element Number	Element Name	Total Qty	CS1 Qty	CS2 Qty	CS3 Qty	CS4 Qty
313	Fixed Bearing	1	0	1	0	0 Each
515	Steel Protective Coating	2	1	1	0	0 Square Feet

Element Number	Defect Type	Defect Description	CS	CS Qty	Maint Qty
313	Corrosion	RUST STAINS COMING THROUGH PROTECTIVE COATING.	2	1	Each
515	Effectiveness (Steel Protective Coatings)	paint failure with spot rust	2	1	1 Square Feet

General Comments

Span 95 Beam 3 Far Bearing

Fixed Bearing

Element Number	Element Name	Total Qty	CS1 Qty	CS2 Qty	CS3 Qty	CS4 Qty
313	Fixed Bearing	1	0	1	0	0 Each
515	Steel Protective Coating	2	1	1	0	0 Square Feet

Element Number	Defect Type	Defect Description	CS	CS Qty	Maint Qty
313	Corrosion	RUST STAINS COMING THROUGH PROTECTIVE COATING.	2	1	Each
515	Effectiveness (Steel Protective Coatings)	paint failure with spot rust	2	1	1 Square Feet

General Comments

Span 95 Beam 4 Near Bearing

Fixed Bearing

Element Number	Element Name	Total Qty	CS1 Qty	CS2 Qty	CS3 Qty	CS4 Qty
313	Fixed Bearing	1	0	1	0	0 Each
515	Steel Protective Coating	2	1	1	0	0 Square Feet

Element Number	Defect Type	Defect Description	CS	CS Qty	Maint Qty
313	Corrosion	RUST STAINS COMING THROUGH PROTECTIVE COATING.	2	1	Each
515	Effectiveness (Steel Protective Coatings)	paint failure with spot rust	2	1	1 Square Feet

General Comments

Span 95

Beam 4 Far Bearing

Fixed Bearing

Element Number	Element Name	Total Qty	CS1 Qty	CS2 Qty	CS3 Qty	CS4 Qty	
313	Fixed Bearing	1	0	1	0	0	Each
515	Steel Protective Coating	2	1	0	1	0	Square Feet

Element Number	Defect Type	Defect Description	CS	CS Qty	Maint Qty	
313	Corrosion	throughout bearing, spot rust	2	1		Each
515	Effectiveness (Steel Protective Coatings)	throughout bearing, limited paint effectiveness with spot rust	3	1	1	Square Feet

General Comments

Element Condition and Maintenance Data

Structure Number: 070007

Inspection Date: 03/03/2022

Bent 1	Footing
Reinforced Concrete Footing	

Element Number	Element Name	Total Qty	CS1 Qty	CS2 Qty	CS3 Qty	CS4 Qty	
220	Reinforced Concrete Pile Cap/Footing	31	0	31	0	0	Feet

Element Number	Defect Type	Defect Description	CS	CS Qty	Maint Qty	
220	Cracking (RC and Other)	U/W INSPECTION; MULTIPLE RANDOM HAIRLINE CRACKS ON THE BOTTOM OF THE FOOTING.	2	29		Feet
220	Patched Area	Southwest and Northwest corners, sound patches [up to 2ft long x 3ft high]	2	2		Feet

General Comments

Bent 1	Cap 1
Reinforced Concrete Pier Cap	

Element Number	Element Name	Total Qty	CS1 Qty	CS2 Qty	CS3 Qty	CS4 Qty	
234	Reinforced Concrete Pier Cap	29	7	22	0	0	Feet

Element Number	Defect Type	Defect Description	CS	CS Qty	Maint Qty	
234	Cracking (RC and Other)	1/32" VERTICAL CRACKING ON CAP	2	3		Feet
234	Delamination/Spall	East end at top, spall [1.5in x 3in x 1/2in deep]	2	1	1	Feet
234	Patched Area	along North face and underside, multiple sound patches [up to 6ft x up to 3ft]	2	18		Feet

General Comments

Bent 1	Foundation Pile 1
Prestressed Concrete Footing Pile	

Element Number	Element Name	Total Qty	CS1 Qty	CS2 Qty	CS3 Qty	CS4 Qty	
226	Prestressed Concrete Pile	1	0	0	1	0	Each

Element Number	Defect Type	Defect Description	CS	CS Qty	Maint Qty	
226	Abrasion/Wear (PSC/RC)	U/W INSPECTION, SCALING 1/2" - 3/4" DEEP WITH LOOSE AGGREGATE X 360° FROM WATERLINE DOWN 4'. (4 LINEAR FT. OF PILE INSPECTED).	3	1	4	Each

General Comments

Bent 1	Foundation Pile 2
Prestressed Concrete Footing Pile	

Element Number	Element Name	Total Qty	CS1 Qty	CS2 Qty	CS3 Qty	CS4 Qty	
226	Prestressed Concrete Pile	1	0	0	1	0	Each

Element Number	Defect Type	Defect Description	CS	CS Qty	Maint Qty	
226	Abrasion/Wear (PSC/RC)	U/W INSPECTION, SCALING 1/2" - 3/4" DEEP WITH LOOSE AGGREGATE X 360° FROM WATERLINE DOWN 4'. (4 LINEAR FT. OF PILE INSPECTED)	3	1	4	Each

General Comments

Bent 1 Foundation Pile 3

Prestressed Concrete Footing Pile

Element Number	Element Name	Total Qty	CS1 Qty	CS2 Qty	CS3 Qty	CS4 Qty
226	Prestressed Concrete Pile	1	0	0	1	0 Each

Element Number	Defect Type	Defect Description	CS	CS Qty	Maint Qty
226	Abrasion/Wear (PSC/RC)	U/W INSPECTION, SCALING 1/2" - 3/4" DEEP WITH LOOSE AGGREGATE X 360* FROM WATERLINE DOWN 4'. (4 LINEAR FT. OF PILE INSPECTED)	3	1	4 Each

General Comments

Bent 1 Foundation Pile 4

Prestressed Concrete Footing Pile

Element Number	Element Name	Total Qty	CS1 Qty	CS2 Qty	CS3 Qty	CS4 Qty
226	Prestressed Concrete Pile	1	0	0	1	0 Each

Element Number	Defect Type	Defect Description	CS	CS Qty	Maint Qty
226	Abrasion/Wear (PSC/RC)	U/W INSPECTION, SCALING 1/2" - 3/4" DEEP WITH LOOSE AGGREGATE X 360* FROM WATERLINE DOWN 4'. (4 LINEAR FT. OF PILE INSPECTED)	3	1	4 Each

General Comments

Bent 1 Foundation Pile 5

Prestressed Concrete Footing Pile

Element Number	Element Name	Total Qty	CS1 Qty	CS2 Qty	CS3 Qty	CS4 Qty
226	Prestressed Concrete Pile	1	0	0	1	0 Each

Element Number	Defect Type	Defect Description	CS	CS Qty	Maint Qty
226	Abrasion/Wear (PSC/RC)	U/W INSPECTION, SCALING 1/2" - 3/4" DEEP WITH LOOSE AGGREGATE X 360* FROM WATERLINE DOWN 4'. (4 LINEAR FT. OF PILE INSPECTED)	3	1	4 Each

General Comments

Bent 1 Foundation Pile 6

Prestressed Concrete Footing Pile

Element Number	Element Name	Total Qty	CS1 Qty	CS2 Qty	CS3 Qty	CS4 Qty
226	Prestressed Concrete Pile	1	0	0	1	0 Each

Element Number	Defect Type	Defect Description	CS	CS Qty	Maint Qty
226	Abrasion/Wear (PSC/RC)	U/W INSPECTION, SCALING 1/2" - 3/4" DEEP WITH LOOSE AGGREGATE X 360* FROM WATERLINE DOWN 4'. (4 LINEAR FT. OF PILE INSPECTED)	3	1	4 Each

General Comments

Bent 1 Foundation Pile 7
Prestressed Concrete Footing Pile

Element Number	Element Name	Total Qty	CS1 Qty	CS2 Qty	CS3 Qty	CS4 Qty
226	Prestressed Concrete Pile	1	0	0	1	0 Each

Element Number	Defect Type	Defect Description	CS	CS Qty	Maint Qty
226	Abrasion/Wear (PSC/RC)	U/W INSPECTION, SCALING 1/2" - 3/4" DEEP WITH LOOSE AGGREGATE X 360° FROM WATERLINE DOWN 4'. (4 LINEAR FT. OF PILE INSPECTED)	3	1	4 Each

General Comments

Bent 1 Foundation Pile 8
Prestressed Concrete Footing Pile

Element Number	Element Name	Total Qty	CS1 Qty	CS2 Qty	CS3 Qty	CS4 Qty
226	Prestressed Concrete Pile	1	0	0	1	0 Each

Element Number	Defect Type	Defect Description	CS	CS Qty	Maint Qty
226	Abrasion/Wear (PSC/RC)	U/W INSPECTION, SCALING 1/2" - 3/4" DEEP WITH LOOSE AGGREGATE X 360° FROM WATERLINE DOWN 4'. (4 LINEAR FT. OF PILE INSPECTED)	3	1	4 Each

General Comments

Bent 1 Foundation Pile 9
Prestressed Concrete Footing Pile

Element Number	Element Name	Total Qty	CS1 Qty	CS2 Qty	CS3 Qty	CS4 Qty
226	Prestressed Concrete Pile	1	1	0	0	0 Each

Element Number	Defect Type	Defect Description	CS	CS Qty	Maint Qty
226	Cracking (PSC)	U/W INSPECTION; FACES 5, 6 AND 7 HAVE HAIRLINE TO 1/16" WIDE VERTICAL CRACKS FROM FOOTING TO MUDLINE. 4 FEET OF PILE INSPECTED. PILE HAS BEEN JACKETED.	1	1	Each

General Comments

PILE HAS BEEN JACKETED

Bent 1 Foundation Pile 10
Prestressed Concrete Footing Pile

Element Number	Element Name	Total Qty	CS1 Qty	CS2 Qty	CS3 Qty	CS4 Qty
226	Prestressed Concrete Pile	1	0	0	1	0 Each

Element Number	Defect Type	Defect Description	CS	CS Qty	Maint Qty
226	Abrasion/Wear (PSC/RC)	U/W INSPECTION, SCALING 1/2" - 3/4" DEEP WITH LOOSE AGGREGATE X 360° FROM WATERLINE DOWN 4'. (4 LINEAR FT. OF PILE INSPECTED)	3	1	4 Each

General Comments

End Bent 1 Abutment

Reinforced Concrete Abutment

Element Number	Element Name	Total Qty	CS1 Qty	CS2 Qty	CS3 Qty	CS4 Qty	
215	Reinforced Concrete Abutment	34	30	4	0	0	Feet

Element Number	Defect Type	Defect Description	CS	CS Qty	Maint Qty	
215	Delamination/Spall	along length of backwall, multiple delaminations at beam penetrations [6in x 6in]	2	4	4	Feet

General Comments

End Bent 1 End Bent 1 Cap

Reinforced Concrete Pier Cap

Element Number	Element Name	Total Qty	CS1 Qty	CS2 Qty	CS3 Qty	CS4 Qty	
234	Reinforced Concrete Pier Cap	36	0	36	0	0	Feet

Element Number	Defect Type	Defect Description	CS	CS Qty	Maint Qty	
234	Patched Area	along North face, sound patch [full width x 2ft high]	2	36		Feet

General Comments

Bent 2 Footing

Reinforced Concrete Footing

Element Number	Element Name	Total Qty	CS1 Qty	CS2 Qty	CS3 Qty	CS4 Qty	
220	Reinforced Concrete Pile Cap/Footing	31	0	31	0	0	Feet

Element Number	Defect Type	Defect Description	CS	CS Qty	Maint Qty	
220	Cracking (RC and Other)	U/W INSPECTION; MULTIPLE RANDOM HAIRLINE CRACKS ON THE BOTTOM OF THE FOOTING.	2	24		Feet
220	Patched Area	along North and South faces, multiple sound patches [up to 3ft x 1ft]	2	7		Feet

General Comments

Bent 2 Cap 1

Reinforced Concrete Pier Cap

Element Number	Element Name	Total Qty	CS1 Qty	CS2 Qty	CS3 Qty	CS4 Qty	
234	Reinforced Concrete Pier Cap	29	6	23	0	0	Feet

Element Number	Defect Type	Defect Description	CS	CS Qty	Maint Qty	
234	Patched Area	along both sides and underside, multiple sound patches [up to 8ft x up to full height]	2	23		Feet

General Comments

Bent 2 Pile 1

Reinforced Concrete Column

Element Number	Element Name	Total Qty	CS1 Qty	CS2 Qty	CS3 Qty	CS4 Qty
205	Reinforced Concrete Column	1	0	1	0	0 Each

Element Number	Defect Type	Defect Description	CS	CS Qty	Maint Qty
205	Patched Area	at Northwest corner, sound patch [up to 7ft x 2ft]	2	1	Each

General Comments

Bent 2 Pile 2

Reinforced Concrete Column

Element Number	Element Name	Total Qty	CS1 Qty	CS2 Qty	CS3 Qty	CS4 Qty
205	Reinforced Concrete Column	1	0	1	0	0 Each

Element Number	Defect Type	Defect Description	CS	CS Qty	Maint Qty
205	Patched Area	along East face, sound patch [up to 6ft x up to full width] WITH 1/32" VERTICAL CRACKING	2	1	Each

General Comments

Bent 2 Foundation Pile 1

Prestressed Concrete Footing Pile

Element Number	Element Name	Total Qty	CS1 Qty	CS2 Qty	CS3 Qty	CS4 Qty
226	Prestressed Concrete Pile	1	0	0	1	0 Each

Element Number	Defect Type	Defect Description	CS	CS Qty	Maint Qty
226	Abrasion/Wear (PSC/RC)	U/W INSPECTION, SCALING 1/2" - 3/4" DEEP WITH LOOSE AGGREGATE X 360° FROM WATERLINE DOWN 4'. (4 LINEAR FT. OF PILE INSPECTED)	3	1	4 Each

General Comments

Bent 2 Foundation Pile 2

Prestressed Concrete Footing Pile

Element Number	Element Name	Total Qty	CS1 Qty	CS2 Qty	CS3 Qty	CS4 Qty
226	Prestressed Concrete Pile	1	0	0	1	0 Each

Element Number	Defect Type	Defect Description	CS	CS Qty	Maint Qty
226	Abrasion/Wear (PSC/RC)	U/W INSPECTION, SCALING 1/2" - 3/4" DEEP WITH LOOSE AGGREGATE X 360° FROM WATERLINE DOWN 4'. (4 LINEAR FT. OF PILE INSPECTED)	3	1	4 Each

General Comments

Bent 2 Foundation Pile 3

Prestressed Concrete Footing Pile

Element Number	Element Name	Total Qty	CS1 Qty	CS2 Qty	CS3 Qty	CS4 Qty
226	Prestressed Concrete Pile	1	0	0	1	0 Each

Element Number	Defect Type	Defect Description	CS	CS Qty	Maint Qty
226	Abrasion/Wear (PSC/RC)	U/W INSPECTION, SCALING 1/2" - 3/4" DEEP WITH LOOSE AGGREGATE X 360* FROM WATERLINE DOWN 4'. (4 LINEAR FT. OF PILE INSPECTED)	3	1	4 Each

General Comments

Bent 2 Foundation Pile 4

Prestressed Concrete Footing Pile

Element Number	Element Name	Total Qty	CS1 Qty	CS2 Qty	CS3 Qty	CS4 Qty
226	Prestressed Concrete Pile	1	0	0	1	0 Each

Element Number	Defect Type	Defect Description	CS	CS Qty	Maint Qty
226	Abrasion/Wear (PSC/RC)	U/W INSPECTION, SCALING 1/2" - 3/4" DEEP WITH LOOSE AGGREGATE X 360* FROM WATERLINE DOWN 4'. (4 LINEAR FT. OF PILE INSPECTED)	3	1	4 Each

General Comments

Bent 2 Foundation Pile 5

Prestressed Concrete Footing Pile

Element Number	Element Name	Total Qty	CS1 Qty	CS2 Qty	CS3 Qty	CS4 Qty
226	Prestressed Concrete Pile	1	0	0	1	0 Each

Element Number	Defect Type	Defect Description	CS	CS Qty	Maint Qty
226	Abrasion/Wear (PSC/RC)	U/W INSPECTION, SCALING 1/2" - 3/4" DEEP WITH LOOSE AGGREGATE X 360* FROM WATERLINE DOWN 4'. (4 LINEAR FT. OF PILE INSPECTED)	3	1	4 Each

General Comments

Bent 2 Foundation Pile 6

Prestressed Concrete Footing Pile

Element Number	Element Name	Total Qty	CS1 Qty	CS2 Qty	CS3 Qty	CS4 Qty
226	Prestressed Concrete Pile	1	0	0	1	0 Each

Element Number	Defect Type	Defect Description	CS	CS Qty	Maint Qty
226	Abrasion/Wear (PSC/RC)	U/W INSPECTION, SCALING 1/2" - 3/4" DEEP WITH LOOSE AGGREGATE X 360* FROM WATERLINE DOWN 4'. (4 LINEAR FT. OF PILE INSPECTED)	3	1	4 Each

General Comments

Bent 2 Foundation Pile 7

Prestressed Concrete Footing Pile

Element Number	Element Name	Total Qty	CS1 Qty	CS2 Qty	CS3 Qty	CS4 Qty
226	Prestressed Concrete Pile	1	0	0	1	0 Each

Element Number	Defect Type	Defect Description	CS	CS Qty	Maint Qty
226	Abrasion/Wear (PSC/RC)	U/W INSPECTION, SCALING 1/2" - 3/4" DEEP WITH LOOSE AGGREGATE X 360* FROM WATERLINE DOWN 4'. (4 LINEAR FT. OF PILE INSPECTED)	3	1	4 Each

General Comments

Bent 2 Foundation Pile 8

Prestressed Concrete Footing Pile

Element Number	Element Name	Total Qty	CS1 Qty	CS2 Qty	CS3 Qty	CS4 Qty
226	Prestressed Concrete Pile	1	0	0	1	0 Each

Element Number	Defect Type	Defect Description	CS	CS Qty	Maint Qty
226	Abrasion/Wear (PSC/RC)	U/W INSPECTION, SCALING 1/2" - 3/4" DEEP WITH LOOSE AGGREGATE X 360* FROM WATERLINE DOWN 4'. (4 LINEAR FT. OF PILE INSPECTED)	3	1	4 Each

General Comments

Bent 2 Foundation Pile 9

Prestressed Concrete Footing Pile

Element Number	Element Name	Total Qty	CS1 Qty	CS2 Qty	CS3 Qty	CS4 Qty
226	Prestressed Concrete Pile	1	0	0	1	0 Each

Element Number	Defect Type	Defect Description	CS	CS Qty	Maint Qty
226	Abrasion/Wear (PSC/RC)	U/W INSPECTION, SCALING 1/2" - 3/4" DEEP WITH LOOSE AGGREGATE X 360* FROM WATERLINE DOWN 4'. (4 LINEAR FT. OF PILE INSPECTED)	3	1	4 Each

General Comments

Bent 2 Foundation Pile 10

Prestressed Concrete Footing Pile

Element Number	Element Name	Total Qty	CS1 Qty	CS2 Qty	CS3 Qty	CS4 Qty
226	Prestressed Concrete Pile	1	0	0	1	0 Each

Element Number	Defect Type	Defect Description	CS	CS Qty	Maint Qty
226	Abrasion/Wear (PSC/RC)	U/W INSPECTION, SCALING 1/2" - 3/4" DEEP WITH LOOSE AGGREGATE X 360* FROM WATERLINE DOWN 4'. (4 LINEAR FT. OF PILE INSPECTED)	3	1	4 Each

General Comments

End Bent 2 Abutment

Reinforced Concrete Abutment

Element Number	Element Name	Total Qty	CS1 Qty	CS2 Qty	CS3 Qty	CS4 Qty	
215	Reinforced Concrete Abutment	34	32	0	2	0	Feet

Element Number	Defect Type	Defect Description	CS	CS Qty	Maint Qty	
215	Cracking (RC and Other)	at beam 1 and 4 penetration, transverse crack [12in x 1/16in]	3	2	2	Feet

General Comments

End Bent 2 End Bent 2 Cap

Reinforced Concrete Pier Cap

Element Number	Element Name	Total Qty	CS1 Qty	CS2 Qty	CS3 Qty	CS4 Qty	
234	Reinforced Concrete Pier Cap	36	31	5	0	0	Feet

Element Number	Defect Type	Defect Description	CS	CS Qty	Maint Qty	
234	Cracking (RC and Other)	1/16" HORIZONTAL CRACKING UNDER LEFT OVERHANG	2	5		Feet

General Comments

Bent 3 Footing

Reinforced Concrete Footing

Element Number	Element Name	Total Qty	CS1 Qty	CS2 Qty	CS3 Qty	CS4 Qty	
220	Reinforced Concrete Pile Cap/Footing	31	0	31	0	0	Feet

Element Number	Defect Type	Defect Description	CS	CS Qty	Maint Qty	
220	Cracking (RC and Other)	U/W INSPECTION; MULTIPLE RANDOM HAIRLINE CRACKS ON THE BOTTOM OF THE FOOTING.	2	23		Feet
220	Patched Area	along North face, multiple sound patches [up to 5ft x 1ft]	2	8		Feet

General Comments

Bent 3 Cap 1

Reinforced Concrete Pier Cap

Element Number	Element Name	Total Qty	CS1 Qty	CS2 Qty	CS3 Qty	CS4 Qty	
234	Reinforced Concrete Pier Cap	29	23	6	0	0	Feet

Element Number	Defect Type	Defect Description	CS	CS Qty	Maint Qty	
234	Patched Area	North face of cap at both ends, multiple sound patches [3ft x up to 2ft]	2	6		Feet

General Comments

Bent 3 Foundation Pile 1

Prestressed Concrete Footing Pile

Element Number	Element Name	Total Qty	CS1 Qty	CS2 Qty	CS3 Qty	CS4 Qty
226	Prestressed Concrete Pile	1	0	0	1	0 Each

Element Number	Defect Type	Defect Description	CS	CS Qty	Maint Qty
226	Abrasion/Wear (PSC/RC)	U/W INSPECTION, SCALING 1/2" - 3/4" DEEP WITH LOOSE AGGREGATE X 360" FROM WATERLINE DOWN 4'. (4 LINEAR FT. OF PILE INSPECTED)	3	1	4 Each

General Comments

Bent 3 Foundation Pile 2

Prestressed Concrete Footing Pile

Element Number	Element Name	Total Qty	CS1 Qty	CS2 Qty	CS3 Qty	CS4 Qty
226	Prestressed Concrete Pile	1	0	0	1	0 Each

Element Number	Defect Type	Defect Description	CS	CS Qty	Maint Qty
226	Abrasion/Wear (PSC/RC)	U/W INSPECTION, SCALING 1/2" - 3/4" DEEP WITH LOOSE AGGREGATE X 360" FROM WATERLINE DOWN 4'. (4 LINEAR FT. OF PILE INSPECTED)	3	1	4 Each

General Comments

Bent 3 Foundation Pile 3

Prestressed Concrete Footing Pile

Element Number	Element Name	Total Qty	CS1 Qty	CS2 Qty	CS3 Qty	CS4 Qty
226	Prestressed Concrete Pile	1	1	0	0	0 Each

Element Number	Defect Type	Defect Description	CS	CS Qty	Maint Qty
226	Cracking (PSC)	U/W INSPECTION; FACE 8 HAS A 1/16" WIDE VERTICAL CRACK FROM FOOTING TO MUDLINE. CRACK TAPERS TO HAIRLINE AT MUDLINE. PILE HAS BENN JACKETED.	1	1	Each

General Comments

PILE HAS BEEN JACKETED

Bent 3 Foundation Pile 4

Prestressed Concrete Footing Pile

Element Number	Element Name	Total Qty	CS1 Qty	CS2 Qty	CS3 Qty	CS4 Qty
226	Prestressed Concrete Pile	1	0	0	1	0 Each

Element Number	Defect Type	Defect Description	CS	CS Qty	Maint Qty
226	Abrasion/Wear (PSC/RC)	U/W INSPECTION, SCALING 1/2" - 3/4" DEEP WITH LOOSE AGGREGATE X 360" FROM WATERLINE DOWN 4'. (4 LINEAR FT. OF PILE INSPECTED)	3	1	4 Each

General Comments

Bent 3 Foundation Pile 5

Prestressed Concrete Footing Pile

Element Number	Element Name	Total Qty	CS1 Qty	CS2 Qty	CS3 Qty	CS4 Qty
226	Prestressed Concrete Pile	1	0	0	1	0 Each

Element Number	Defect Type	Defect Description	CS	CS Qty	Maint Qty
226	Abrasion/Wear (PSC/RC)	U/W INSPECTION, SCALING 1/2" - 3/4" DEEP WITH LOOSE AGGREGATE X 360* FROM WATERLINE DOWN 4'. (4 LINEAR FT. OF PILE INSPECTED)	3	1	4 Each

General Comments

Bent 3 Foundation Pile 6

Prestressed Concrete Footing Pile

Element Number	Element Name	Total Qty	CS1 Qty	CS2 Qty	CS3 Qty	CS4 Qty
226	Prestressed Concrete Pile	1	0	0	1	0 Each

Element Number	Defect Type	Defect Description	CS	CS Qty	Maint Qty
226	Abrasion/Wear (PSC/RC)	U/W INSPECTION, SCALING 1/2" - 3/4" DEEP WITH LOOSE AGGREGATE X 360* FROM WATERLINE DOWN 4'. (4 LINEAR FT. OF PILE INSPECTED)	3	1	4 Each

General Comments

Bent 3 Foundation Pile 7

Prestressed Concrete Footing Pile

Element Number	Element Name	Total Qty	CS1 Qty	CS2 Qty	CS3 Qty	CS4 Qty
226	Prestressed Concrete Pile	1	0	0	1	0 Each

Element Number	Defect Type	Defect Description	CS	CS Qty	Maint Qty
226	Cracking (PSC)	U/W INSPECTION, MULTIPLE H/L CRACKS, MULTIPLE FACES, GENERALLY THESE CRACKS ARE LOST IN THE SCALING AREA. SCALING 1/2" - 3/4" DEEP WITH LOOSE AGGREGATE X 360* FROM WATERLINE DOWN 4'. (4 LINEAR FT. OF PILE INSPECTED)	3	1	4 Each

General Comments

Bent 3 Foundation Pile 8

Prestressed Concrete Footing Pile

Element Number	Element Name	Total Qty	CS1 Qty	CS2 Qty	CS3 Qty	CS4 Qty
226	Prestressed Concrete Pile	1	0	0	1	0 Each

Element Number	Defect Type	Defect Description	CS	CS Qty	Maint Qty
226	Abrasion/Wear (PSC/RC)	U/W INSPECTION, SCALING 1/2" - 3/4" DEEP WITH LOOSE AGGREGATE X 360* FROM WATERLINE DOWN 4'. (4 LINEAR FT. OF PILE INSPECTED)	3	1	4 Each

General Comments

Bent 3 Foundation Pile 9**Prestressed Concrete Footing Pile**

Element Number	Element Name	Total Qty	CS1 Qty	CS2 Qty	CS3 Qty	CS4 Qty
226	Prestressed Concrete Pile	1	0	0	1	0 Each

Element Number	Defect Type	Defect Description	CS	CS Qty	Maint Qty
226	Abrasion/Wear (PSC/RC)	U/W INSPECTION, SCALING 1/2" - 3/4" DEEP WITH LOOSE AGGREGATE X 360° FROM WATERLINE DOWN 4'. (4 LINEAR FT. OF PILE INSPECTED)	3	1	4 Each

General Comments

Bent 3 Foundation Pile 10**Prestressed Concrete Footing Pile**

Element Number	Element Name	Total Qty	CS1 Qty	CS2 Qty	CS3 Qty	CS4 Qty
226	Prestressed Concrete Pile	1	0	0	1	0 Each

Element Number	Defect Type	Defect Description	CS	CS Qty	Maint Qty
226	Abrasion/Wear (PSC/RC)	U/W INSPECTION, SCALING 1/2" - 3/4" DEEP WITH LOOSE AGGREGATE X 360° FROM WATERLINE DOWN 4'. (4 LINEAR FT. OF PILE INSPECTED)	3	1	4 Each

General Comments

Bent 4 Footing**Reinforced Concrete Footing**

Element Number	Element Name	Total Qty	CS1 Qty	CS2 Qty	CS3 Qty	CS4 Qty
220	Reinforced Concrete Pile Cap/Footing	31	0	31	0	0 Feet

Element Number	Defect Type	Defect Description	CS	CS Qty	Maint Qty
220	Cracking (RC and Other)	1/32" VERTICAL CRACKING ALONG ALL FACES	2		Feet
220	Cracking (RC and Other)	U/W INSPECTION; MULTIPLE RANDOM HAIRLINE CRACKS ON THE BOTTOM OF THE FOOTING.	2	28	Feet
220	Patched Area	Northwest and Southwest corners, multiple sound patches [up to 3ft x 1ft]	2	3	Feet

General Comments

Bent 4 Cap 1**Reinforced Concrete Pier Cap**

Element Number	Element Name	Total Qty	CS1 Qty	CS2 Qty	CS3 Qty	CS4 Qty
234	Reinforced Concrete Pier Cap	29	0	28	1	0 Feet

Element Number	Defect Type	Defect Description	CS	CS Qty	Maint Qty
234	Efflorescence/Rust Staining	at East end, vertical crack [up to 26in x up to 1/32in] with efflorescence and rust stain	3	1	1 Feet
234	Patched Area	along cap, multiple sound patches [up to 15ft x up to 3ft]	2	28	Feet

General Comments

Bent 4 Pile 1

Reinforced Concrete Column

Element Number	Element Name	Total Qty	CS1 Qty	CS2 Qty	CS3 Qty	CS4 Qty
205	Reinforced Concrete Column	1	0	1	0	0 Each

Element Number	Defect Type	Defect Description	CS	CS Qty	Maint Qty
205	Delamination/Spall	East face of pile, sound patch [15ft x up to full width] with hairline transverse cracks and moisture staining	2	1	15 Each

General Comments

Bent 4 Foundation Pile 1

Prestressed Concrete Footing Pile

Element Number	Element Name	Total Qty	CS1 Qty	CS2 Qty	CS3 Qty	CS4 Qty
226	Prestressed Concrete Pile	1	1	0	0	0 Each

Element Number	Defect Type	Defect Description	CS	CS Qty	Maint Qty
226	Cracking (PSC)	U/W INSPECTION; FACES 5, 6 AND 7 HAVE HAIRLINE TO 1/16" WIDE VERTICAL CRACKS FROM FOOTING TO MUDLINE. 4 FEET OF PILE INSPECTED. PILE HAS BEEN JACKETED.	1	1	Each

General Comments

PILE HAS BEEN JACKETED.

Bent 4 Foundation Pile 2

Prestressed Concrete Footing Pile

Element Number	Element Name	Total Qty	CS1 Qty	CS2 Qty	CS3 Qty	CS4 Qty
226	Prestressed Concrete Pile	1	0	0	1	0 Each

Element Number	Defect Type	Defect Description	CS	CS Qty	Maint Qty
226	Abrasion/Wear (PSC/RC)	U/W INSPECTION, SCALING 1/2" - 3/4" DEEP WITH LOOSE AGGREGATE X 360° FROM WATERLINE DOWN 4'. (4 LINEAR FT. OF PILE INSPECTED)	3	1	4 Each

General Comments

Bent 4 Foundation Pile 3

Prestressed Concrete Footing Pile

Element Number	Element Name	Total Qty	CS1 Qty	CS2 Qty	CS3 Qty	CS4 Qty
226	Prestressed Concrete Pile	1	0	0	1	0 Each

Element Number	Defect Type	Defect Description	CS	CS Qty	Maint Qty
226	Cracking (PSC)	U/W INSPECTION, MULTIPLE H/L CRACKS, MULTIPLE FACES, GENERALLY THESE CRACKS ARE LOST IN THE SCALING AREA. SCALING 1/2" - 3/4" DEEP WITH LOOSE AGGREGATE X 360° FROM WATERLINE DOWN 4'. (4 LINEAR FT. OF PILE INSPECTED)	3	1	4 Each

General Comments

Bent 4 Foundation Pile 4

Prestressed Concrete Footing Pile

Element Number	Element Name	Total Qty	CS1 Qty	CS2 Qty	CS3 Qty	CS4 Qty
226	Prestressed Concrete Pile	1	0	0	1	0 Each

Element Number	Defect Type	Defect Description	CS	CS Qty	Maint Qty
226	Abrasion/Wear (PSC/RC)	U/W INSPECTION, SCALING 1/2" - 3/4" DEEP WITH LOOSE AGGREGATE X 360* FROM WATERLINE DOWN 4'. (4 LINEAR FT. OF PILE INSPECTED)	3	1	4 Each

General Comments

Bent 4 Foundation Pile 5

Prestressed Concrete Footing Pile

Element Number	Element Name	Total Qty	CS1 Qty	CS2 Qty	CS3 Qty	CS4 Qty
226	Prestressed Concrete Pile	1	0	0	1	0 Each

Element Number	Defect Type	Defect Description	CS	CS Qty	Maint Qty
226	Abrasion/Wear (PSC/RC)	U/W INSPECTION, SCALING 1/2" - 3/4" DEEP WITH LOOSE AGGREGATE X 360* FROM WATERLINE DOWN 4'. (4 LINEAR FT. OF PILE INSPECTED)	3	1	4 Each

General Comments

Bent 4 Foundation Pile 6

Prestressed Concrete Footing Pile

Element Number	Element Name	Total Qty	CS1 Qty	CS2 Qty	CS3 Qty	CS4 Qty
226	Prestressed Concrete Pile	1	0	0	1	0 Each

Element Number	Defect Type	Defect Description	CS	CS Qty	Maint Qty
226	Cracking (PSC)	U/W INSPECTION, MULTIPLE H/L CRACKS, MULTIPLE FACES, GENERALLY THESE CRACKS ARE LOST IN THE SCALING AREA. SCALING 1/2" - 3/4" DEEP WITH LOOSE AGGREGATE X 360* FROM WATERLINE DOWN 4'. (4 LINEAR FT. OF PILE INSPECTED)	3	1	4 Each

General Comments

Bent 4 Foundation Pile 7

Prestressed Concrete Footing Pile

Element Number	Element Name	Total Qty	CS1 Qty	CS2 Qty	CS3 Qty	CS4 Qty
226	Prestressed Concrete Pile	1	0	0	1	0 Each

Element Number	Defect Type	Defect Description	CS	CS Qty	Maint Qty
226	Cracking (PSC)	U/W INSPECTION, MULTIPLE H/L - 1/16" CRACKS, MULTIPLE FACES, GENERALLY THESE CRACKS ARE LOST IN THE SCALING AREA. SCALING 1/2" - 3/4" DEEP WITH LOOSE AGGREGATE X 360* FROM WATERLINE DOWN 4'. (4 LINEAR FT. OF PILE INSPECTED)	3	1	4 Each

General Comments

Bent 4 Foundation Pile 8

Prestressed Concrete Footing Pile

Element Number	Element Name	Total Qty	CS1 Qty	CS2 Qty	CS3 Qty	CS4 Qty
226	Prestressed Concrete Pile	1	0	0	1	0 Each

Element Number	Defect Type	Defect Description	CS	CS Qty	Maint Qty
226	Cracking (PSC)	U/W INSPECTION, MULTIPLE H/L CRACKS, MULTIPLE FACES, GENERALLY THESE CRACKS ARE LOST IN THE SCALING AREA. SCALING 1/2" - 3/4" DEEP WITH LOOSE AGGREGATE X 360° FROM WATERLINE DOWN 4'. (4 LINEAR FT. OF PILE INSPECTED)	3	1	4 Each

General Comments

Bent 4 Foundation Pile 9

Prestressed Concrete Footing Pile

Element Number	Element Name	Total Qty	CS1 Qty	CS2 Qty	CS3 Qty	CS4 Qty
226	Prestressed Concrete Pile	1	0	0	1	0 Each

Element Number	Defect Type	Defect Description	CS	CS Qty	Maint Qty
226	Abrasion/Wear (PSC/RC)	U/W INSPECTION, SCALING 1/2" - 3/4" DEEP WITH LOOSE AGGREGATE X 360° FROM WATERLINE DOWN 4'. (4 LINEAR FT. OF PILE INSPECTED)	3	1	4 Each

General Comments

Bent 4 Foundation Pile 10

Prestressed Concrete Footing Pile

Element Number	Element Name	Total Qty	CS1 Qty	CS2 Qty	CS3 Qty	CS4 Qty
226	Prestressed Concrete Pile	1	0	0	1	0 Each

Element Number	Defect Type	Defect Description	CS	CS Qty	Maint Qty
226	Cracking (PSC)	U/W INSPECTION, MULTIPLE H/L CRACKS, MULTIPLE FACES, GENERALLY THESE CRACKS ARE LOST IN THE SCALING AREA. SCALING 1/2" - 3/4" DEEP WITH LOOSE AGGREGATE X 360° FROM WATERLINE DOWN 4'. (4 LINEAR FT. OF PILE INSPECTED)	3	1	4 Each

General Comments

Bent 5 Footing

Reinforced Concrete Footing

Element Number	Element Name	Total Qty	CS1 Qty	CS2 Qty	CS3 Qty	CS4 Qty
220	Reinforced Concrete Pile Cap/Footing	31	0	31	0	0 Feet

Element Number	Defect Type	Defect Description	CS	CS Qty	Maint Qty
220	Cracking (RC and Other)	U/W INSPECTION; MULTIPLE RANDOM HAIRLINE CRACKS ON THE BOTTOM OF THE FOOTING.	2	31	Feet

General Comments

Bent 5 Cap 1**Reinforced Concrete Pier Cap**

Element Number	Element Name	Total Qty	CS1 Qty	CS2 Qty	CS3 Qty	CS4 Qty
234	Reinforced Concrete Pier Cap	29	15	14	0	0 Feet

Element Number	Defect Type	Defect Description	CS	CS Qty	Maint Qty
234	Patched Area	along both sides, multiple sound patches [up to 3ft x up to full height]	2	14	Feet

General Comments

Bent 5 Foundation Pile 1**Prestressed Concrete Footing Pile**

Element Number	Element Name	Total Qty	CS1 Qty	CS2 Qty	CS3 Qty	CS4 Qty
226	Prestressed Concrete Pile	1	0	0	1	0 Each

Element Number	Defect Type	Defect Description	CS	CS Qty	Maint Qty
226	Abrasion/Wear (PSC/RC)	U/W INSPECTION, SCALING 1/2" - 3/4" DEEP WITH LOOSE AGGREGATE X 360* FROM WATERLINE DOWN 4'. (4 LINEAR FT. OF PILE INSPECTED)	3	1	4 Each

General Comments

Bent 5 Pile 2**Reinforced Concrete Column**

Element Number	Element Name	Total Qty	CS1 Qty	CS2 Qty	CS3 Qty	CS4 Qty
205	Reinforced Concrete Column	1	0	1	0	0 Each

Element Number	Defect Type	Defect Description	CS	CS Qty	Maint Qty
205	Cracking (RC and Other)	BENT 5 PILE 2 HAS SCATTERED CRACKS [up to 1/32in]. TOTAL MAINTENANCE QUANTITY IS: 10'	2	1	Each

General Comments

Bent 5 Foundation Pile 2**Prestressed Concrete Footing Pile**

Element Number	Element Name	Total Qty	CS1 Qty	CS2 Qty	CS3 Qty	CS4 Qty
226	Prestressed Concrete Pile	1	0	0	1	0 Each

Element Number	Defect Type	Defect Description	CS	CS Qty	Maint Qty
226	Cracking (PSC)	U/W INSPECTION, MULTIPLE H/L - 1/16" CRACKS, MULTIPLE FACES, GENERALLY THESE CRACKS ARE LOST IN THE SCALING AREA. SCALING 1/2" - 3/4" DEEP WITH LOOSE AGGREGATE X 360* FROM WATERLINE DOWN 4'. (4 LINEAR FT. OF PILE INSPECTED)	3	1	4 Each

General Comments

Bent 5 Foundation Pile 3

Prestressed Concrete Footing Pile

Element Number	Element Name	Total Qty	CS1 Qty	CS2 Qty	CS3 Qty	CS4 Qty
226	Prestressed Concrete Pile	1	0	0	1	0 Each

Element Number	Defect Type	Defect Description	CS	CS Qty	Maint Qty
226	Abrasion/Wear (PSC/RC)	U/W INSPECTION, SCALING 1/2" - 3/4" DEEP WITH LOOSE AGGREGATE X 360" FROM WATERLINE DOWN 4'. (4 LINEAR FT. OF PILE INSPECTED)	3	1	4 Each

General Comments

Bent 5 Foundation Pile 4

Prestressed Concrete Footing Pile

Element Number	Element Name	Total Qty	CS1 Qty	CS2 Qty	CS3 Qty	CS4 Qty
226	Prestressed Concrete Pile	1	0	0	1	0 Each

Element Number	Defect Type	Defect Description	CS	CS Qty	Maint Qty
226	Cracking (PSC)	U/W INSPECTION, MULTIPLE H/L CRACKS, MULTIPLE FACES, GENERALLY THESE CRACKS ARE LOST IN THE SCALING AREA. SCALING 1/2" - 3/4" DEEP WITH LOOSE AGGREGATE X 360" FROM WATERLINE DOWN 4'. (4 LINEAR FT. OF PILE INSPECTED)	3	1	4 Each

General Comments

Bent 5 Foundation Pile 5

Prestressed Concrete Footing Pile

Element Number	Element Name	Total Qty	CS1 Qty	CS2 Qty	CS3 Qty	CS4 Qty
226	Prestressed Concrete Pile	1	0	0	1	0 Each

Element Number	Defect Type	Defect Description	CS	CS Qty	Maint Qty
226	Abrasion/Wear (PSC/RC)	U/W INSPECTION, SCALING 1/2" - 3/4" DEEP WITH LOOSE AGGREGATE X 360" FROM WATERLINE DOWN 4'. (4 LINEAR FT. OF PILE INSPECTED)	3	1	4 Each

General Comments

Bent 5 Foundation Pile 6

Prestressed Concrete Footing Pile

Element Number	Element Name	Total Qty	CS1 Qty	CS2 Qty	CS3 Qty	CS4 Qty
226	Prestressed Concrete Pile	1	0	0	1	0 Each

Element Number	Defect Type	Defect Description	CS	CS Qty	Maint Qty
226	Abrasion/Wear (PSC/RC)	U/W INSPECTION, SCALING 1/2" - 3/4" DEEP WITH LOOSE AGGREGATE X 360" FROM WATERLINE DOWN 4'. (4 LINEAR FT. OF PILE INSPECTED)	3	1	4 Each

General Comments

Bent 5 Foundation Pile 7**Prestressed Concrete Footing Pile**

Element Number	Element Name	Total Qty	CS1 Qty	CS2 Qty	CS3 Qty	CS4 Qty	
226	Prestressed Concrete Pile	1	0	0	1	0	Each

Element Number	Defect Type	Defect Description	CS	CS Qty	Maint Qty	
226	Cracking (PSC)	U/W INSPECTION, MULTIPLE H/L - 1/16" CRACKS, MULTIPLE FACES, GENERALLY THESE CRACKS ARE LOST IN THE SCALING AREA. SCALING 1/2" - 3/4" DEEP WITH LOOSE AGGREGATE X 360* FROM WATERLINE DOWN 4'. (4 LINEAR FT. OF PILE INSPECTED)	3	1	4	Each

General Comments

Bent 5 Foundation Pile 8**Prestressed Concrete Footing Pile**

Element Number	Element Name	Total Qty	CS1 Qty	CS2 Qty	CS3 Qty	CS4 Qty	
226	Prestressed Concrete Pile	1	0	0	1	0	Each

Element Number	Defect Type	Defect Description	CS	CS Qty	Maint Qty	
226	Abrasion/Wear (PSC/RC)	U/W INSPECTION, SCALING 1/2" - 3/4" DEEP WITH LOOSE AGGREGATE X 360* FROM WATERLINE DOWN 4'. (4 LINEAR FT. OF PILE INSPECTED)	3	1	4	Each

General Comments

Bent 5 Foundation Pile 9**Prestressed Concrete Footing Pile**

Element Number	Element Name	Total Qty	CS1 Qty	CS2 Qty	CS3 Qty	CS4 Qty	
226	Prestressed Concrete Pile	1	0	0	1	0	Each

Element Number	Defect Type	Defect Description	CS	CS Qty	Maint Qty	
226	Abrasion/Wear (PSC/RC)	U/W INSPECTION, SCALING 1/2" - 3/4" DEEP WITH LOOSE AGGREGATE X 360* FROM WATERLINE DOWN 4'. (4 LINEAR FT. OF PILE INSPECTED)	3	1	4	Each

General Comments

Bent 5 Foundation Pile 10**Prestressed Concrete Footing Pile**

Element Number	Element Name	Total Qty	CS1 Qty	CS2 Qty	CS3 Qty	CS4 Qty	
226	Prestressed Concrete Pile	1	0	0	1	0	Each

Element Number	Defect Type	Defect Description	CS	CS Qty	Maint Qty	
226	Cracking (PSC)	U/W INSPECTION, MULTIPLE H/L CRACKS, MULTIPLE FACES, GENERALLY THESE CRACKS ARE LOST IN THE SCALING AREA. SCALING 1/2" - 3/4" DEEP WITH LOOSE AGGREGATE X 360* FROM WATERLINE DOWN 4'. (4 LINEAR FT. OF PILE INSPECTED)	3	1	4	Each

General Comments

Bent 6 Footing**Reinforced Concrete Footing**

Element Number	Element Name	Total Qty	CS1 Qty	CS2 Qty	CS3 Qty	CS4 Qty
220	Reinforced Concrete Pile Cap/Footing	31	0	31	0	0 Feet

Element Number	Defect Type	Defect Description	CS	CS Qty	Maint Qty
220	Cracking (RC and Other)	U/W INSPECTION; MULTIPLE RANDOM HAIRLINE CRACKS ON THE BOTTOM OF THE FOOTING.	2	29	Feet
220	Patched Area	Northwest and Southwest corners, multiple sound patches [up to 2ft x 4ft]	2	2	Feet

General Comments

Bent 6 Cap 1**Reinforced Concrete Pier Cap**

Element Number	Element Name	Total Qty	CS1 Qty	CS2 Qty	CS3 Qty	CS4 Qty
234	Reinforced Concrete Pier Cap	29	0	25	4	0 Feet

Element Number	Defect Type	Defect Description	CS	CS Qty	Maint Qty
234	Exposed Rebar	PAR: 4' LONG X 2' TALL X 10" DEEP SPALL WITH EXPOSED REBAR ON SOUTH FACE UNDER GIRDER 3 WITH 18" LONG X 6" DEEP LOSS OF BEARING	3	4	4 Feet
234	Patched Area	6' LONG X 12" TALL NEW REPAIR TO SOUTH FACE UNDER BAY 1	2	6	Feet
234	Patched Area	along both faces, multiple sound patches [5ft x up to full height]	2	19	Feet
234	Delamination/Spall	South face and top in bay 1, spall [55in x 11in x up to 5in] with multiple exposed rusted reinforcing [up to 1/16in section loss] (REPAIRED PRIOR TO 2022 INSPECTION)	1		Feet

General Comments

Bent 6 Foundation Pile 1**Prestressed Concrete Footing Pile**

Element Number	Element Name	Total Qty	CS1 Qty	CS2 Qty	CS3 Qty	CS4 Qty
226	Prestressed Concrete Pile	1	0	0	1	0 Each

Element Number	Defect Type	Defect Description	CS	CS Qty	Maint Qty
226	Cracking (PSC)	U/W INSPECTION, MULTIPLE H/L - 1/16" CRACKS, MULTIPLE FACES, GENERALLY THESE CRACKS ARE LOST IN THE SCALING AREA. SCALING 1/2" - 3/4" DEEP WITH LOOSE AGGREGATE X 360° FROM WATERLINE DOWN 4'. (5 LINEAR FT. OF PILE INSPECTED)	3	1	4 Each

General Comments

Bent 6 Pile 2**Reinforced Concrete Column**

Element Number	Element Name	Total Qty	CS1 Qty	CS2 Qty	CS3 Qty	CS4 Qty
205	Reinforced Concrete Column	1	0	1	0	0 Each

Element Number	Defect Type	Defect Description	CS	CS Qty	Maint Qty
205	Patched Area	along pile, multiple sound patches [up to 5ft x up to full width]	2	1	Each

General Comments

Bent 6 Foundation Pile 2**Prestressed Concrete Footing Pile**

Element Number	Element Name	Total Qty	CS1 Qty	CS2 Qty	CS3 Qty	CS4 Qty
226	Prestressed Concrete Pile	1	0	0	1	0 Each

Element Number	Defect Type	Defect Description	CS	CS Qty	Maint Qty
226	Cracking (PSC)	U/W INSPECTION, MULTIPLE H/L - 1/16" CRACKS, MULTIPLE FACES, GENERALLY THESE CRACKS ARE LOST IN THE SCALING AREA. SCALING 1/2" - 3/4" DEEP WITH LOOSE AGGREGATE X 360* FROM WATERLINE DOWN 4'. (5 LINEAR FT. OF PILE INSPECTED)	3	1	4 Each

General Comments

Bent 6 Foundation Pile 3**Prestressed Concrete Footing Pile**

Element Number	Element Name	Total Qty	CS1 Qty	CS2 Qty	CS3 Qty	CS4 Qty
226	Prestressed Concrete Pile	1	0	0	1	0 Each

Element Number	Defect Type	Defect Description	CS	CS Qty	Maint Qty
226	Cracking (PSC)	U/W INSPECTION, MULTIPLE H/L - 1/16" CRACKS, MULTIPLE FACES, GENERALLY THESE CRACKS ARE LOST IN THE SCALING AREA. SCALING 1/2" - 3/4" DEEP WITH LOOSE AGGREGATE X 360* FROM WATERLINE DOWN 4'. (5 LINEAR FT. OF PILE INSPECTED)	3	1	4 Each

General Comments

Bent 6 Foundation Pile 4**Prestressed Concrete Footing Pile**

Element Number	Element Name	Total Qty	CS1 Qty	CS2 Qty	CS3 Qty	CS4 Qty
226	Prestressed Concrete Pile	1	0	0	1	0 Each

Element Number	Defect Type	Defect Description	CS	CS Qty	Maint Qty
226	Cracking (PSC)	U/W INSPECTION, MULTIPLE H/L - 1/32" CRACKS, MULTIPLE FACES, GENERALLY THESE CRACKS ARE LOST IN THE SCALING AREA. SCALING 1/2" - 3/4" DEEP WITH LOOSE AGGREGATE X 360* FROM WATERLINE DOWN 4'. (5 LINEAR FT. OF PILE INSPECTED)	3	1	4 Each

General Comments

Bent 6 Foundation Pile 5**Prestressed Concrete Footing Pile**

Element Number	Element Name	Total Qty	CS1 Qty	CS2 Qty	CS3 Qty	CS4 Qty
226	Prestressed Concrete Pile	1	0	0	1	0 Each

Element Number	Defect Type	Defect Description	CS	CS Qty	Maint Qty
----------------	-------------	--------------------	----	--------	-----------

226	Cracking (PSC)	U/W INSPECTION, MULTIPLE H/L - 1/16" CRACKS, MULTIPLE FACES, GENERALLY THESE CRACKS ARE LOST IN THE SCALING AREA. SCALING 1/2" - 3/4" DEEP WITH LOOSE AGGREGATE X 360* FROM WATERLINE DOWN 4'. (5 LINEAR FT. OF PILE INSPECTED)	3	1	4	Each
-----	----------------	---	---	---	---	------

General Comments

Bent 6 Foundation Pile 6

Prestressed Concrete Footing Pile

Element Number	Element Name	Total Qty	CS1 Qty	CS2 Qty	CS3 Qty	CS4 Qty
226	Prestressed Concrete Pile	1	0	0	1	0 Each

Element Number	Defect Type	Defect Description	CS	CS Qty	Maint Qty
226	Cracking (PSC)	U/W INSPECTION, MULTIPLE H/L CRACKS, MULTIPLE FACES, GENERALLY THESE CRACKS ARE LOST IN THE SCALING AREA. SCALING 1/2" - 3/4" DEEP WITH LOOSE AGGREGATE X 360* FROM WATERLINE DOWN 4'. (5 LINEAR FT. OF PILE INSPECTED)	3	1	4 Each

General Comments

Bent 6 Foundation Pile 7

Prestressed Concrete Footing Pile

Element Number	Element Name	Total Qty	CS1 Qty	CS2 Qty	CS3 Qty	CS4 Qty
226	Prestressed Concrete Pile	1	0	0	1	0 Each

Element Number	Defect Type	Defect Description	CS	CS Qty	Maint Qty
226	Cracking (PSC)	U/W INSPECTION, MULTIPLE H/L - 1/16" CRACKS, MULTIPLE FACES, GENERALLY THESE CRACKS ARE LOST IN THE SCALING AREA. SCALING 1/2" - 3/4" DEEP WITH LOOSE AGGREGATE X 360* FROM WATERLINE DOWN 4'. (5 LINEAR FT. OF PILE INSPECTED)	3	1	4 Each

General Comments

Bent 6 Foundation Pile 8

Prestressed Concrete Footing Pile

Element Number	Element Name	Total Qty	CS1 Qty	CS2 Qty	CS3 Qty	CS4 Qty
226	Prestressed Concrete Pile	1	0	0	1	0 Each

Element Number	Defect Type	Defect Description	CS	CS Qty	Maint Qty
226	Abrasion/Wear (PSC/RC)	U/W INSPECTION, SCALING 1/2" - 3/4" DEEP WITH LOOSE AGGREGATE X 360* FROM WATERLINE DOWN 4'. (5 LINEAR FT. OF PILE INSPECTED)	3	1	4 Each

General Comments

Bent 6 Foundation Pile 9

Prestressed Concrete Footing Pile

Element Number	Element Name	Total Qty	CS1 Qty	CS2 Qty	CS3 Qty	CS4 Qty
226	Prestressed Concrete Pile	1	0	0	1	0 Each

Element Number	Defect Type	Defect Description	CS	CS Qty	Maint Qty
----------------	-------------	--------------------	----	--------	-----------

226	Abrasion/Wear (PSC/RC)	U/W INSPECTION, SCALING 1/2" - 3/4" DEEP WITH LOOSE AGGREGATE X 360° FROM WATERLINE DOWN 4'. (5 LINEAR FT. OF PILE INSPECTED)	3	1	4	Each
-----	---------------------------	---	---	---	---	------

General Comments

Bent 6 Foundation Pile 10 Prestressed Concrete Footing Pile

Element Number	Element Name	Total Qty	CS1 Qty	CS2 Qty	CS3 Qty	CS4 Qty	
226	Prestressed Concrete Pile	1	0	0	1	0	Each

Element Number	Defect Type	Defect Description	CS	CS Qty	Maint Qty	
226	Cracking (PSC)	U/W INSPECTION, MULTIPLE H/L - 1/16" CRACKS, MULTIPLE FACES, GENERALLY THESE CRACKS ARE LOST IN THE SCALING AREA. SCALING 1/2" - 3/4" DEEP WITH LOOSE AGGREGATE X 360° FROM WATERLINE DOWN 4'. (5 LINEAR FT. OF PILE INSPECTED)	3	1	4	Each

General Comments

Bent 7 Footing Reinforced Concrete Footing

Element Number	Element Name	Total Qty	CS1 Qty	CS2 Qty	CS3 Qty	CS4 Qty	
220	Reinforced Concrete Pile Cap/Footing	32	0	32	0	0	Feet

Element Number	Defect Type	Defect Description	CS	CS Qty	Maint Qty	
220	Cracking (RC and Other)	U/W INSPECTION; MULTIPLE RANDOM HAIRLINE CRACKS ON THE BOTTOM OF THE FOOTING.	2	32		Feet

General Comments

Bent 7 Foundation Pile 1 Prestressed Concrete Footing Pile

Element Number	Element Name	Total Qty	CS1 Qty	CS2 Qty	CS3 Qty	CS4 Qty	
226	Prestressed Concrete Pile	1	1	0	0	0	Each

Element Number	Defect Type	Defect Description	CS	CS Qty	Maint Qty	
226	Cracking (PSC)	U/W INSPECTION; MULTIPLE H/L TO 1/16" WIDE VERTICAL CRACKS, MULTIPLE FACES, W/L DOWN 5', GENERALLY THESE CRACKS ARE LOST IN THE SCALING AREA. SCALING TO 1/2" - 3/4" DEEP WITH LOOSE AGGREGATE X 360° FROM WATERLINE DOWN 5'. (5 LINEAR FT. OF PILE INSPECTED) PILE HAS BEEN JACKETED.	1	1		Each

General Comments

PILE HAS BEEN JACKETED.

Bent 7 Cap 1 Reinforced Concrete Pier Cap

Element Number	Element Name	Total Qty	CS1 Qty	CS2 Qty	CS3 Qty	CS4 Qty	
234	Reinforced Concrete Pier Cap	29	6	23	0	0	Feet

Element Number	Defect Type	Defect Description	CS	CS Qty	Maint Qty	
234	Cracking (RC and Other)	along West face, multiple vertical cracks [up to 2ft x up to 1/32in]	2	3		Feet

234 Patched Area throughout cap, multiple sound patches [up to 8ft x up to 1/32in] 2 20 Feet

General Comments

Bent 7 Foundation Pile 2

Prestressed Concrete Footing Pile

Element Number	Element Name	Total Qty	CS1 Qty	CS2 Qty	CS3 Qty	CS4 Qty	
226	Prestressed Concrete Pile	1	1	0	0	0	Each

Element Number	Defect Type	Defect Description	CS	CS Qty	Maint Qty	
226	Cracking (PSC)	U/W INSPECTION; MULTIPLE H/L TO 1/16" WIDE VERTICAL CRACKS, MULTIPLE FACES, W/L DOWN 5', GENERALLY THESE CRACKS ARE LOST IN THE SCALING AREA. SCALING TO 1/2" - 3/4" DEEP WITH LOOSE AGGREGATE X 360° FROM WATERLINE DOWN 5'. (5 LINEAR FT. OF PILE INSPECTED) PILE HAS BEEN JACKETED.	1	1		Each

General Comments

PILE HAS BEEN JACKETED.

Bent 7 Foundation Pile 3

Prestressed Concrete Footing Pile

Element Number	Element Name	Total Qty	CS1 Qty	CS2 Qty	CS3 Qty	CS4 Qty	
226	Prestressed Concrete Pile	1	1	0	0	0	Each

Element Number	Defect Type	Defect Description	CS	CS Qty	Maint Qty	
226	Cracking (PSC)	U/W INSPECTION; MULTIPLE H/L TO 1/16" WIDE VERTICAL CRACKS, MULTIPLE FACES, W/L DOWN 5', GENERALLY THESE CRACKS ARE LOST IN THE SCALING AREA. SCALING TO 1/2" - 3/4" DEEP WITH LOOSE AGGREGATE X 360° FROM WATERLINE DOWN 5'. (5 LINEAR FT. OF PILE INSPECTED) PILE HAS BEEN JACKETED.	1	1		Each

General Comments

PILE HAS BEEN JACKETED.

Bent 7 Foundation Pile 4

Prestressed Concrete Footing Pile

Element Number	Element Name	Total Qty	CS1 Qty	CS2 Qty	CS3 Qty	CS4 Qty	
226	Prestressed Concrete Pile	1	1	0	0	0	Each

Element Number	Defect Type	Defect Description	CS	CS Qty	Maint Qty	
226	Cracking (PSC)	U/W INSPECTION; MULTIPLE H/L TO 1/16" WIDE VERTICAL CRACKS, MULTIPLE FACES, W/L DOWN 5', GENERALLY THESE CRACKS ARE LOST IN THE SCALING AREA. SCALING TO 1/2" - 3/4" DEEP WITH LOOSE AGGREGATE X 360° FROM WATERLINE DOWN 5'. (5 LINEAR FT. OF PILE INSPECTED) PILE HAS BEEN JACKETED.	1	1		Each

General Comments

PILE HAS BEEN JACKETED.

Bent 7 Foundation Pile 5

Prestressed Concrete Footing Pile

Element Number	Element Name	Total Qty	CS1 Qty	CS2 Qty	CS3 Qty	CS4 Qty	
226	Prestressed Concrete Pile	1	1	0	0	0	Each

Element Number	Defect Type	Defect Description	CS	CS Qty	Maint Qty	
226	Cracking (PSC)	U/W INSPECTION; MULTIPLE H/L TO 1/16" WIDE VERTICAL CRACKS, MULTIPLE FACES, W/L DOWN 5', GENERALLY THESE CRACKS ARE LOST IN THE SCALING AREA. SCALING TO 1/2" - 3/4" DEEP WITH LOOSE AGGREGATE X 360° FROM WATERLINE DOWN 5'. (5 LINEAR FT. OF PILE INSPECTED) PILE HAS BEEN JACKETED.	1	1		Each

General Comments

PILE HAS BEEN JACKETED.

Bent 7 Foundation Pile 6

Prestressed Concrete Footing Pile

Element Number	Element Name	Total Qty	CS1 Qty	CS2 Qty	CS3 Qty	CS4 Qty	
226	Prestressed Concrete Pile	1	1	0	0	0	Each

Element Number	Defect Type	Defect Description	CS	CS Qty	Maint Qty	
226	Cracking (PSC)	U/W INSPECTION; MULTIPLE H/L TO 1/16" WIDE VERTICAL CRACKS, MULTIPLE FACES, W/L DOWN 5', GENERALLY THESE CRACKS ARE LOST IN THE SCALING AREA. SCALING TO 1/2" - 3/4" DEEP WITH LOOSE AGGREGATE X 360° FROM WATERLINE DOWN 5'. (5 LINEAR FT. OF PILE INSPECTED) PILE HAS BEEN JACKETED.	1	1		Each

General Comments

PILE HAS BEEN JACKETED.

Bent 7 Foundation Pile 7

Prestressed Concrete Footing Pile

Element Number	Element Name	Total Qty	CS1 Qty	CS2 Qty	CS3 Qty	CS4 Qty	
226	Prestressed Concrete Pile	1	1	0	0	0	Each

Element Number	Defect Type	Defect Description	CS	CS Qty	Maint Qty	
226	Cracking (PSC)	U/W INSPECTION; MULTIPLE H/L TO 1/16" WIDE VERTICAL CRACKS, MULTIPLE FACES, W/L DOWN 5', GENERALLY THESE CRACKS ARE LOST IN THE SCALING AREA. SCALING TO 1/2" - 3/4" DEEP WITH LOOSE AGGREGATE X 360° FROM WATERLINE DOWN 5'. (5 LINEAR FT. OF PILE INSPECTED) PILE HAS BEEN JACKETED.	1	1		Each

General Comments

PILE HAS BEEN JACKETED.

Bent 7 Foundation Pile 8

Prestressed Concrete Footing Pile

Element Number	Element Name	Total Qty	CS1 Qty	CS2 Qty	CS3 Qty	CS4 Qty	
226	Prestressed Concrete Pile	1	1	0	0	0	Each

Element Number	Defect Type	Defect Description	CS	CS Qty	Maint Qty	
----------------	-------------	--------------------	----	--------	-----------	--

226	Cracking (PSC)	U/W INSPECTION; MULTIPLE H/L TO 1/16" WIDE VERTICAL CRACKS, MULTIPLE FACES, W/L DOWN 5', GENERALLY THESE CRACKS ARE LOST IN THE SCALING AREA. SCALING TO 1/2" - 3/4" DEEP WITH LOOSE AGGREGATE X 360* FROM WATERLINE DOWN 5'. (5 LINEAR FT. OF PILE INSPECTED) PILE HAS BEEN JACKETED.	1	1	Each
-----	----------------	--	---	---	------

General Comments

PILE HAS BEEN JACKETED.

Bent 7 Foundation Pile 9**Prestressed Concrete Footing Pile**

Element Number	Element Name	Total Qty	CS1 Qty	CS2 Qty	CS3 Qty	CS4 Qty	
226	Prestressed Concrete Pile	1	1	0	0	0	Each

Element Number	Defect Type	Defect Description	CS	CS Qty	Maint Qty	
226	Cracking (PSC)	U/W INSPECTION; MULTIPLE H/L TO 1/16" WIDE VERTICAL CRACKS, MULTIPLE FACES, W/L DOWN 5', GENERALLY THESE CRACKS ARE LOST IN THE SCALING AREA. SCALING TO 1/2" - 3/4" DEEP WITH LOOSE AGGREGATE X 360* FROM WATERLINE DOWN 5'. (5 LINEAR FT. OF PILE INSPECTED) PILE HAS BEEN JACKETED.	1	1		Each

General Comments

PILE HAS BEEN JACKETED.

Bent 7 Foundation Pile 10**Prestressed Concrete Footing Pile**

Element Number	Element Name	Total Qty	CS1 Qty	CS2 Qty	CS3 Qty	CS4 Qty	
226	Prestressed Concrete Pile	1	1	0	0	0	Each

Element Number	Defect Type	Defect Description	CS	CS Qty	Maint Qty	
226	Cracking (PSC)	U/W INSPECTION; MULTIPLE H/L TO 1/16" WIDE VERTICAL CRACKS, MULTIPLE FACES, W/L DOWN 5', GENERALLY THESE CRACKS ARE LOST IN THE SCALING AREA. SCALING TO 1/2" - 3/4" DEEP WITH LOOSE AGGREGATE X 360* FROM WATERLINE DOWN 5'. (5 LINEAR FT. OF PILE INSPECTED) PILE HAS BEEN JACKETED.	1	1		Each

General Comments

PILE HAS BEEN JACKETED.

Bent 7 Foundation Pile 11**Prestressed Concrete Footing Pile**

Element Number	Element Name	Total Qty	CS1 Qty	CS2 Qty	CS3 Qty	CS4 Qty	
226	Prestressed Concrete Pile	1	1	0	0	0	Each

Element Number	Defect Type	Defect Description	CS	CS Qty	Maint Qty	
226	Cracking (PSC)	U/W INSPECTION; MULTIPLE H/L TO 1/16" WIDE VERTICAL CRACKS, MULTIPLE FACES, W/L DOWN 5', GENERALLY THESE CRACKS ARE LOST IN THE SCALING AREA. SCALING TO 1/2" - 3/4" DEEP WITH LOOSE AGGREGATE X 360* FROM WATERLINE DOWN 5'. (5 LINEAR FT. OF PILE INSPECTED) PILE HAS BEEN JACKETED.	1	1		Each

General Comments

PILE HAS BEEN JACKETED.

Bent 7 Foundation Pile 12**Prestressed Concrete Footing Pile**

Element Number	Element Name	Total Qty	CS1 Qty	CS2 Qty	CS3 Qty	CS4 Qty
226	Prestressed Concrete Pile	1	1	0	0	0 Each

Element Number	Defect Type	Defect Description	CS	CS Qty	Maint Qty
226	Cracking (PSC)	U/W INSPECTION; MULTIPLE H/L TO 1/16" WIDE VERTICAL CRACKS, MULTIPLE FACES, W/L DOWN 5', GENERALLY THESE CRACKS ARE LOST IN THE SCALING AREA. SCALING TO 1/2" - 3/4" DEEP WITH LOOSE AGGREGATE X 360° FROM WATERLINE DOWN 5'. (5 LINEAR FT. OF PILE INSPECTED) PILE HAS BEEN JACKETED.	1	1	Each

General Comments

PILE HAS BEEN JACKETED.

Bent 8 Footing**Reinforced Concrete Footing**

Element Number	Element Name	Total Qty	CS1 Qty	CS2 Qty	CS3 Qty	CS4 Qty
220	Reinforced Concrete Pile Cap/Footing	32	0	32	0	0 Feet

Element Number	Defect Type	Defect Description	CS	CS Qty	Maint Qty
220	Cracking (RC and Other)	U/W INSPECTION; MULTIPLE RANDOM HAIRLINE CRACKS ON THE BOTTOM OF THE FOOTING.	2	32	Feet

General Comments

Bent 8 Foundation Pile 1**Prestressed Concrete Footing Pile**

Element Number	Element Name	Total Qty	CS1 Qty	CS2 Qty	CS3 Qty	CS4 Qty
226	Prestressed Concrete Pile	1	0	0	1	0 Each

Element Number	Defect Type	Defect Description	CS	CS Qty	Maint Qty
226	Cracking (PSC)	U/W INSPECTION, MULTIPLE H/L CRACKS, MULTIPLE FACES, GENERALLY THESE CRACKS ARE LOST IN THE SCALING AREA. SCALING 1/2" - 3/4" DEEP WITH LOOSE AGGREGATE X 360° FROM WATERLINE DOWN 4'. (5 LINEAR FT. OF PILE INSPECTED)	3	1	4 Each

General Comments

Bent 8 Cap 1**Reinforced Concrete Pier Cap**

Element Number	Element Name	Total Qty	CS1 Qty	CS2 Qty	CS3 Qty	CS4 Qty
234	Reinforced Concrete Pier Cap	29	0	29	0	0 Feet

Element Number	Defect Type	Defect Description	CS	CS Qty	Maint Qty
234	Cracking (RC and Other)	throughout, multiple vertical cracks and horizontal cracks [up to 18in x up to 1/32in]	2	14	Feet
234	Patched Area	BENT 8 CAP HAS SCATTERED PATCHED AREAS THAT ARE SOUND. [up to 48in x 12in]	2	15	Feet

General Comments

Bent 8 Foundation Pile 2

Prestressed Concrete Footing Pile

Element Number	Element Name	Total Qty	CS1 Qty	CS2 Qty	CS3 Qty	CS4 Qty
226	Prestressed Concrete Pile	1	0	0	1	0 Each

Element Number	Defect Type	Defect Description	CS	CS Qty	Maint Qty
226	Cracking (PSC)	U/W INSPECTION, MULTIPLE H/L - 1/16" CRACKS, MULTIPLE FACES, GENERALLY THESE CRACKS ARE LOST IN THE SCALING AREA. SCALING 1/2" - 3/4" DEEP WITH LOOSE AGGREGATE X 360* FROM WATERLINE DOWN 4'. (5 LINEAR FT. OF PILE INSPECTED)	3	1	4 Each

General Comments

Bent 8 Foundation Pile 3

Prestressed Concrete Footing Pile

Element Number	Element Name	Total Qty	CS1 Qty	CS2 Qty	CS3 Qty	CS4 Qty
226	Prestressed Concrete Pile	1	0	0	1	0 Each

Element Number	Defect Type	Defect Description	CS	CS Qty	Maint Qty
226	Cracking (PSC)	U/W INSPECTION, MULTIPLE H/L CRACKS, MULTIPLE FACES, THESE CRACKS ARE LOST IN THE SCALING AREA. SCALING 1/2" - 3/4" DEEP WITH LOOSE AGGREGATE X 360* FROM WATERLINE DOWN 4'. (5 LINEAR FT. OF PILE INSPECTED)	3	1	4 Each

General Comments

Bent 8 Foundation Pile 4

Prestressed Concrete Footing Pile

Element Number	Element Name	Total Qty	CS1 Qty	CS2 Qty	CS3 Qty	CS4 Qty
226	Prestressed Concrete Pile	1	0	0	1	0 Each

Element Number	Defect Type	Defect Description	CS	CS Qty	Maint Qty
226	Abrasion/Wear (PSC/RC)	U/W INSPECTION, SCALING 1/2" - 3/4" DEEP WITH LOOSE AGGREGATE X 360* FROM WATERLINE DOWN 4'. (4 LINEAR FT. OF PILE INSPECTED)	3	1	4 Each

General Comments

Bent 8 Foundation Pile 5

Prestressed Concrete Footing Pile

Element Number	Element Name	Total Qty	CS1 Qty	CS2 Qty	CS3 Qty	CS4 Qty
226	Prestressed Concrete Pile	1	0	0	1	0 Each

Element Number	Defect Type	Defect Description	CS	CS Qty	Maint Qty
226	Cracking (PSC)	U/W INSPECTION, MULTIPLE H/L CRACKS, MULTIPLE FACES, THESE CRACKS ARE LOST IN THE SCALING AREA. SCALING 1/2" - 3/4" DEEP WITH LOOSE AGGREGATE X 360* FROM WATERLINE DOWN 4'. (5 LINEAR FT. OF PILE INSPECTED)	3	1	4 Each

General Comments

Bent 8 Foundation Pile 6**Prestressed Concrete Footing Pile**

Element Number	Element Name	Total Qty	CS1 Qty	CS2 Qty	CS3 Qty	CS4 Qty
226	Prestressed Concrete Pile	1	0	0	1	0 Each

Element Number	Defect Type	Defect Description	CS	CS Qty	Maint Qty
226	Cracking (PSC)	U/W INSPECTION, MULTIPLE H/L CRACKS, MULTIPLE FACES, GENERALLY THESE CRACKS ARE LOST IN THE SCALING AREA. SCALING 1/2" - 3/4" DEEP WITH LOOSE AGGREGATE X 360* FROM WATERLINE DOWN 4'. (5 LINEAR FT. OF PILE INSPECTED)	3	1	4 Each

General Comments

Bent 8 Foundation Pile 7**Prestressed Concrete Footing Pile**

Element Number	Element Name	Total Qty	CS1 Qty	CS2 Qty	CS3 Qty	CS4 Qty
226	Prestressed Concrete Pile	1	0	0	1	0 Each

Element Number	Defect Type	Defect Description	CS	CS Qty	Maint Qty
226	Cracking (PSC)	U/W INSPECTION, MULTIPLE H/L - 1/32" CRACKS, MULTIPLE FACES, THESE CRACKS ARE LOST IN THE SCALING AREA. SCALING 1/2" - 3/4" DEEP WITH LOOSE AGGREGATE X 360* FROM WATERLINE DOWN 4'. (5 LINEAR FT. OF PILE INSPECTED)	3	1	4 Each

General Comments

Bent 8 Foundation Pile 8**Prestressed Concrete Footing Pile**

Element Number	Element Name	Total Qty	CS1 Qty	CS2 Qty	CS3 Qty	CS4 Qty
226	Prestressed Concrete Pile	1	0	0	1	0 Each

Element Number	Defect Type	Defect Description	CS	CS Qty	Maint Qty
226	Abrasion/Wear (PSC/RC)	U/W INSPECTION, SCALING 1/2" - 3/4" DEEP WITH LOOSE AGGREGATE X 360* FROM WATERLINE DOWN 4'. (4 LINEAR FT. OF PILE INSPECTED)	3	1	4 Each

General Comments

Bent 8 Foundation Pile 9**Prestressed Concrete Footing Pile**

Element Number	Element Name	Total Qty	CS1 Qty	CS2 Qty	CS3 Qty	CS4 Qty
226	Prestressed Concrete Pile	1	0	0	1	0 Each

Element Number	Defect Type	Defect Description	CS	CS Qty	Maint Qty
226	Abrasion/Wear (PSC/RC)	U/W INSPECTION, SCALING 1/2" - 3/4" DEEP WITH LOOSE AGGREGATE X 360* FROM WATERLINE DOWN 4'. (4 LINEAR FT. OF PILE INSPECTED)	3	1	4 Each

General Comments

Bent 8 Foundation Pile 10**Prestressed Concrete Footing Pile**

Element Number	Element Name	Total Qty	CS1 Qty	CS2 Qty	CS3 Qty	CS4 Qty
226	Prestressed Concrete Pile	1	0	0	1	0 Each

Element Number	Defect Type	Defect Description	CS	CS Qty	Maint Qty
226	Abrasion/Wear (PSC/RC)	U/W INSPECTION, SCALING 1/2" - 3/4" DEEP WITH LOOSE AGGREGATE X 360° FROM WATERLINE DOWN 4'. (4 LINEAR FT. OF PILE INSPECTED)	3	1	4 Each

General Comments

Bent 8 Foundation Pile 11**Prestressed Concrete Footing Pile**

Element Number	Element Name	Total Qty	CS1 Qty	CS2 Qty	CS3 Qty	CS4 Qty
226	Prestressed Concrete Pile	1	0	0	1	0 Each

Element Number	Defect Type	Defect Description	CS	CS Qty	Maint Qty
226	Cracking (PSC)	U/W INSPECTION, MULTIPLE H/L - 1/16" CRACKS, MULTIPLE FACES, THESE CRACKS ARE LOST IN THE SCALING AREA. SCALING 1/2" - 3/4" DEEP WITH LOOSE AGGREGATE X 360° FROM WATERLINE DOWN 4'. (5 LINEAR FT. OF PILE INSPECTED)	3	1	4 Each

General Comments

Bent 8 Foundation Pile 12**Prestressed Concrete Footing Pile**

Element Number	Element Name	Total Qty	CS1 Qty	CS2 Qty	CS3 Qty	CS4 Qty
226	Prestressed Concrete Pile	1	0	0	1	0 Each

Element Number	Defect Type	Defect Description	CS	CS Qty	Maint Qty
226	Cracking (PSC)	U/W INSPECTION, MULTIPLE H/L CRACKS, MULTIPLE FACES, GENERALLY THESE CRACKS ARE LOST IN THE SCALING AREA. SCALING 1/2" - 3/4" DEEP WITH LOOSE AGGREGATE X 360° FROM WATERLINE DOWN 4'. (5 LINEAR FT. OF PILE INSPECTED)	3	1	4 Each

General Comments

Bent 9 Footing**Reinforced Concrete Footing**

Element Number	Element Name	Total Qty	CS1 Qty	CS2 Qty	CS3 Qty	CS4 Qty
220	Reinforced Concrete Pile Cap/Footing	32	0	32	0	0 Feet

Element Number	Defect Type	Defect Description	CS	CS Qty	Maint Qty
220	Cracking (RC and Other)	U/W INSPECTION; MULTIPLE RANDOM HAIRLINE CRACKS ON THE BOTTOM OF THE FOOTING.	2	32	Feet

General Comments

Bent 9 Foundation Pile 1**Prestressed Concrete Footing Pile**

Element Number	Element Name	Total Qty	CS1 Qty	CS2 Qty	CS3 Qty	CS4 Qty	
226	Prestressed Concrete Pile	1	0	0	1	0	Each

Element Number	Defect Type	Defect Description	CS	CS Qty	Maint Qty	
226	Cracking (PSC)	U/W INSPECTION, MULTIPLE H/L - 1/16" CRACKS, MULTIPLE FACES, GENERALLY THESE CRACKS ARE LOST IN THE SCALING AREA. SCALING 1/2" - 3/4" DEEP WITH LOOSE AGGREGATE X 360* FROM WATERLINE DOWN 4'.	3	1	4	Each

General Comments

Bent 9 Cap 1**Reinforced Concrete Pier Cap**

Element Number	Element Name	Total Qty	CS1 Qty	CS2 Qty	CS3 Qty	CS4 Qty	
234	Reinforced Concrete Pier Cap	29	1	28	0	0	Feet

Element Number	Defect Type	Defect Description	CS	CS Qty	Maint Qty	
234	Patched Area	along North face and South face, multiple sound patches [up to 10ft x up to full height]	2	28		Feet

General Comments

Bent 9 Pile 2**Reinforced Concrete Column**

Element Number	Element Name	Total Qty	CS1 Qty	CS2 Qty	CS3 Qty	CS4 Qty	
205	Reinforced Concrete Column	1	0	1	0	0	Each

Element Number	Defect Type	Defect Description	CS	CS Qty	Maint Qty	
205	Patched Area	at Southwest corner, sound patch [12ft high x 3ft]	2	1		Each

General Comments

Bent 9 Foundation Pile 2**Prestressed Concrete Footing Pile**

Element Number	Element Name	Total Qty	CS1 Qty	CS2 Qty	CS3 Qty	CS4 Qty	
226	Prestressed Concrete Pile	1	0	0	1	0	Each

Element Number	Defect Type	Defect Description	CS	CS Qty	Maint Qty	
226	Cracking (PSC)	U/W INSPECTION, MULTIPLE H/L - 1/16" CRACKS, MULTIPLE FACES, GENERALLY THESE CRACKS ARE LOST IN THE SCALING AREA. SCALING 1/2" - 3/4" DEEP WITH LOOSE AGGREGATE X 360* FROM WATERLINE DOWN 4'. (4 LINEAR FT. OF PILE INSPECTED)	3	1	4	Each

General Comments

Bent 9 Foundation Pile 3**Prestressed Concrete Footing Pile**

Element Number	Element Name	Total Qty	CS1 Qty	CS2 Qty	CS3 Qty	CS4 Qty
226	Prestressed Concrete Pile	1	0	0	1	0 Each

Element Number	Defect Type	Defect Description	CS	CS Qty	Maint Qty
226	Cracking (PSC)	U/W INSPECTION, MULTIPLE H/L - 1/16" CRACKS, MULTIPLE FACES, GENERALLY THESE CRACKS ARE LOST IN THE SCALING AREA. SCALING 1/2" - 3/4" DEEP WITH LOOSE AGGREGATE X 360* FROM WATERLINE DOWN 4'. (4 LINEAR FT. OF PILE INSPECTED)	3	1	4 Each

General Comments

Bent 9 Foundation Pile 4**Prestressed Concrete Footing Pile**

Element Number	Element Name	Total Qty	CS1 Qty	CS2 Qty	CS3 Qty	CS4 Qty
226	Prestressed Concrete Pile	1	0	0	1	0 Each

Element Number	Defect Type	Defect Description	CS	CS Qty	Maint Qty
226	Cracking (PSC)	U/W INSPECTION, MULTIPLE H/L - 1/16" CRACKS, MULTIPLE FACES, GENERALLY THESE CRACKS ARE LOST IN THE SCALING AREA. SCALING 1/2" - 3/4" DEEP WITH LOOSE AGGREGATE X 360* FROM WATERLINE DOWN 4'. (4 LINEAR FT. OF PILE INSPECTED)	3	1	4 Each

General Comments

Bent 9 Foundation Pile 5**Prestressed Concrete Footing Pile**

Element Number	Element Name	Total Qty	CS1 Qty	CS2 Qty	CS3 Qty	CS4 Qty
226	Prestressed Concrete Pile	1	0	0	1	0 Each

Element Number	Defect Type	Defect Description	CS	CS Qty	Maint Qty
226	Abrasion/Wear (PSC/RC)	U/W INSPECTION, SCALING 1/2" - 3/4" DEEP WITH LOOSE AGGREGATE X 360* FROM WATERLINE DOWN 4'. (4 LINEAR FT. OF PILE INSPECTED)	3	1	4 Each

General Comments

Bent 9 Foundation Pile 6**Prestressed Concrete Footing Pile**

Element Number	Element Name	Total Qty	CS1 Qty	CS2 Qty	CS3 Qty	CS4 Qty
226	Prestressed Concrete Pile	1	0	0	1	0 Each

Element Number	Defect Type	Defect Description	CS	CS Qty	Maint Qty
226	Cracking (PSC)	U/W INSPECTION, MULTIPLE H/L CRACKS, MULTIPLE FACES, GENERALLY THESE CRACKS ARE LOST IN THE SCALING AREA. SCALING 1/2" - 3/4" DEEP WITH LOOSE AGGREGATE X 360* FROM WATERLINE DOWN 4'. (4 LINEAR FT. OF PILE INSPECTED)	3	1	4 Each

General Comments

Bent 9 Foundation Pile 7

Prestressed Concrete Footing Pile

Element Number	Element Name	Total Qty	CS1 Qty	CS2 Qty	CS3 Qty	CS4 Qty
226	Prestressed Concrete Pile	1	0	0	1	0 Each

Element Number	Defect Type	Defect Description	CS	CS Qty	Maint Qty
226	Cracking (PSC)	U/W INSPECTION, MULTIPLE H/L - 1/16" CRACKS, MULTIPLE FACES, GENERALLY THESE CRACKS ARE LOST IN THE SCALING AREA. SCALING 1/2" - 3/4" DEEP WITH LOOSE AGGREGATE X 360* FROM WATERLINE DOWN 4'. (4 LINEAR FT. OF PILE INSPECTED)	3	1	4 Each

General Comments

Bent 9 Foundation Pile 8

Prestressed Concrete Footing Pile

Element Number	Element Name	Total Qty	CS1 Qty	CS2 Qty	CS3 Qty	CS4 Qty
226	Prestressed Concrete Pile	1	0	0	1	0 Each

Element Number	Defect Type	Defect Description	CS	CS Qty	Maint Qty
226	Cracking (PSC)	U/W INSPECTION, H/L CRACKS ON F-1, CRACKS ARE LOST IN THE SCALING AREA. SCALING 1/2" - 3/4" DEEP WITH LOOSE AGGREGATE X 360* FROM WATERLINE DOWN 4'. (4 LINEAR FT. OF PILE INSPECTED)	3	1	4 Each

General Comments

Bent 9 Foundation Pile 9

Prestressed Concrete Footing Pile

Element Number	Element Name	Total Qty	CS1 Qty	CS2 Qty	CS3 Qty	CS4 Qty
226	Prestressed Concrete Pile	1	0	0	1	0 Each

Element Number	Defect Type	Defect Description	CS	CS Qty	Maint Qty
226	Cracking (PSC)	U/W INSPECTION, MULTIPLE H/L - 1/16" CRACKS, MULTIPLE FACES, GENERALLY THESE CRACKS ARE LOST IN THE SCALING AREA. SCALING 1/2" - 3/4" DEEP WITH LOOSE AGGREGATE X 360* FROM WATERLINE DOWN 4'. (4 LINEAR FT. OF PILE INSPECTED)	3	1	4 Each

General Comments

Bent 9 Foundation Pile 10

Prestressed Concrete Footing Pile

Element Number	Element Name	Total Qty	CS1 Qty	CS2 Qty	CS3 Qty	CS4 Qty
226	Prestressed Concrete Pile	1	0	0	1	0 Each

Element Number	Defect Type	Defect Description	CS	CS Qty	Maint Qty
226	Cracking (PSC)	U/W INSPECTION, MULTIPLE H/L - 1/16" CRACKS, MULTIPLE FACES, GENERALLY THESE CRACKS ARE LOST IN THE SCALING AREA. SCALING 1/2" - 3/4" DEEP WITH LOOSE AGGREGATE X 360* FROM WATERLINE DOWN 4'. (4 LINEAR FT. OF PILE INSPECTED)	3	1	4 Each

General Comments

Bent 9 Foundation Pile 11

Prestressed Concrete Footing Pile

Element Number	Element Name	Total Qty	CS1 Qty	CS2 Qty	CS3 Qty	CS4 Qty	
226	Prestressed Concrete Pile	1	0	0	1	0	Each

Element Number	Defect Type	Defect Description	CS	CS Qty	Maint Qty	
226	Cracking (PSC)	U/W INSPECTION, MULTIPLE H/L - 1/16" CRACKS, MULTIPLE FACES, GENERALLY THESE CRACKS ARE LOST IN THE SCALING AREA. SCALING 1/2" - 3/4" DEEP WITH LOOSE AGGREGATE X 360* FROM WATERLINE DOWN 4'. (4 LINEAR FT. OF PILE INSPECTED)	3	1	4	Each

General Comments

Bent 9 Foundation Pile 12

Prestressed Concrete Footing Pile

Element Number	Element Name	Total Qty	CS1 Qty	CS2 Qty	CS3 Qty	CS4 Qty	
226	Prestressed Concrete Pile	1	0	0	1	0	Each

Element Number	Defect Type	Defect Description	CS	CS Qty	Maint Qty	
226	Cracking (PSC)	U/W INSPECTION, MULTIPLE H/L - 1/16" CRACKS, MULTIPLE FACES, GENERALLY THESE CRACKS ARE LOST IN THE SCALING AREA. SCALING 1/2" - 3/4" DEEP WITH LOOSE AGGREGATE X 360* FROM WATERLINE DOWN 4'. (4 LINEAR FT. OF PILE INSPECTED)	3	1	4	Each

General Comments

Bent 10 Footing

Reinforced Concrete Footing

Element Number	Element Name	Total Qty	CS1 Qty	CS2 Qty	CS3 Qty	CS4 Qty	
220	Reinforced Concrete Pile Cap/Footing	32	0	32	0	0	Feet

Element Number	Defect Type	Defect Description	CS	CS Qty	Maint Qty	
220	Cracking (RC and Other)	at centerline, [3] three vertical cracks [1/32in x full height]	2	3		Feet
220	Cracking (RC and Other)	U/W INSPECTION; MULTIPLE RANDOM HAIRLINE CRACKS ON THE BOTTOM OF THE FOOTING.	2	29		Feet

General Comments

Bent 10 Foundation Pile 1

Prestressed Concrete Footing Pile

Element Number	Element Name	Total Qty	CS1 Qty	CS2 Qty	CS3 Qty	CS4 Qty	
226	Prestressed Concrete Pile	1	0	0	1	0	Each

Element Number	Defect Type	Defect Description	CS	CS Qty	Maint Qty	
226	Cracking (PSC)	U/W INSPECTION, MULTIPLE H/L - 1/16" CRACKS, MULTIPLE FACES, GENERALLY THESE CRACKS ARE LOST IN THE SCALING AREA. SCALING 1/2" - 3/4" DEEP WITH LOOSE AGGREGATE X 360* FROM WATERLINE DOWN 4'. (4 LINEAR FT. OF PILE INSPECTED)	3	1	4	Each

General Comments

Bent 10 Cap 1**Reinforced Concrete Pier Cap**

Element Number	Element Name	Total Qty	CS1 Qty	CS2 Qty	CS3 Qty	CS4 Qty
234	Reinforced Concrete Pier Cap	29	4	25	0	0 Feet

Element Number	Defect Type	Defect Description	CS	CS Qty	Maint Qty
234	Delamination/Spall	Northeast corner, delamination [20in x 8in x 5in high]	2	2	2 Feet
234	Patched Area	5' LONG X FULL WIDTH NEW REPAIR TO UNDERSIDE OF CAP	2	5	Feet
234	Patched Area	along North face and South face, multiple sound patches [up to 6ft x up to 2.5ft]	2	18	Feet
234	Delamination/Spall	BENT 10 BOTTOM OF CAP BETWEEN PILES 1 AND 2. HAS A SPALLED AND DELAMINATED AREA WITH REBAR VISIBLE. AREA IS: 16" x 16" x 1 1/2" DEEP. (REPAIRED PRIOR TO 2022 INSPECTION)	1		Feet

General Comments

Bent 10 Pile 2**Reinforced Concrete Column**

Element Number	Element Name	Total Qty	CS1 Qty	CS2 Qty	CS3 Qty	CS4 Qty
205	Reinforced Concrete Column	1	0	1	0	0 Each

Element Number	Defect Type	Defect Description	CS	CS Qty	Maint Qty
205	Delamination/Spall	BENT 10 PILE 2 SOUTH FACE. HAS A CRACKED AND DELAMINATED AREA. LOCATED 38" FROM BOTTOM OF CAP. AREA IS: 21" x 47"	2	1	4 Each

General Comments

Bent 10 Foundation Pile 2**Prestressed Concrete Footing Pile**

Element Number	Element Name	Total Qty	CS1 Qty	CS2 Qty	CS3 Qty	CS4 Qty
226	Prestressed Concrete Pile	1	0	0	1	0 Each

Element Number	Defect Type	Defect Description	CS	CS Qty	Maint Qty
226	Abrasion/Wear (PSC/RC)	U/W INSPECTION, SCALING 1/2" - 3/4" DEEP WITH LOOSE AGGREGATE X 360° FROM WATERLINE DOWN 4'. (4 LINEAR FT. OF PILE INSPECTED)	3		4 Each
226	Delamination/Spall	U/W INSPECTION, PAR ISSUED: BENT 10, PILE 2, SPALLED TO 2.5" DEEP ON FACES 4, 5 AND 6 FROM 1' BELOW WATERLINE, DOWN 16". NO STEEL EXPOSED.	3	1	2 Each

General Comments

Bent 10 Foundation Pile 3**Prestressed Concrete Footing Pile**

Element Number	Element Name	Total Qty	CS1 Qty	CS2 Qty	CS3 Qty	CS4 Qty
226	Prestressed Concrete Pile	1	0	0	1	0 Each

Element Number	Defect Type	Defect Description	CS	CS Qty	Maint Qty
----------------	-------------	--------------------	----	--------	-----------

Structure Number: 070007

Inspection Date: 03/03/2022

226	Cracking (PSC)	U/W INSPECTION, MULTIPLE H/L - 1/16" CRACKS, MULTIPLE FACES, GENERALLY THESE CRACKS ARE LOST IN THE SCALING AREA. SCALING 1/2" - 3/4" DEEP WITH LOOSE AGGREGATE X 360* FROM WATERLINE DOWN 4'. (4 LINEAR FT. OF PILE INSPECTED)	3	1	4	Each
-----	----------------	---	---	---	---	------

General Comments

Bent 10 Foundation Pile 4

Prestressed Concrete Footing Pile

Element Number	Element Name	Total Qty	CS1 Qty	CS2 Qty	CS3 Qty	CS4 Qty
226	Prestressed Concrete Pile	1	0	0	1	0 Each

Element Number	Defect Type	Defect Description	CS	CS Qty	Maint Qty
226	Cracking (PSC)	U/W INSPECTION, MULTIPLE H/L CRACKS, MULTIPLE FACES, GENERALLY THESE CRACKS ARE LOST IN THE SCALING AREA. SCALING 1/2" - 3/4" DEEP WITH LOOSE AGGREGATE X 360* FROM WATERLINE DOWN 4'. (4 LINEAR FT. OF PILE INSPECTED)	3	1	4 Each

General Comments

Bent 10 Foundation Pile 5

Prestressed Concrete Footing Pile

Element Number	Element Name	Total Qty	CS1 Qty	CS2 Qty	CS3 Qty	CS4 Qty
226	Prestressed Concrete Pile	1	0	0	1	0 Each

Element Number	Defect Type	Defect Description	CS	CS Qty	Maint Qty
226	Cracking (PSC)	U/W INSPECTION, MULTIPLE H/L - 1/16" CRACKS, MULTIPLE FACES, GENERALLY THESE CRACKS ARE LOST IN THE SCALING AREA. SCALING 1/2" - 3/4" DEEP WITH LOOSE AGGREGATE X 360* FROM WATERLINE DOWN 4'. (4 LINEAR FT. OF PILE INSPECTED)	3	1	4 Each

General Comments

Bent 10 Foundation Pile 6

Prestressed Concrete Footing Pile

Element Number	Element Name	Total Qty	CS1 Qty	CS2 Qty	CS3 Qty	CS4 Qty
226	Prestressed Concrete Pile	1	0	0	1	0 Each

Element Number	Defect Type	Defect Description	CS	CS Qty	Maint Qty
226	Cracking (PSC)	U/W INSPECTION, MULTIPLE H/L - 1/16" CRACKS, MULTIPLE FACES, GENERALLY THESE CRACKS ARE LOST IN THE SCALING AREA. SCALING 1/2" - 3/4" DEEP WITH LOOSE AGGREGATE X 360* FROM WATERLINE DOWN 4'. (4 LINEAR FT. OF PILE INSPECTED)	3	1	4 Each

General Comments

Bent 10 Foundation Pile 7

Prestressed Concrete Footing Pile

Element Number	Element Name	Total Qty	CS1 Qty	CS2 Qty	CS3 Qty	CS4 Qty
226	Prestressed Concrete Pile	1	0	0	1	0 Each

Element Number	Defect Type	Defect Description	CS	CS Qty	Maint Qty
226	Cracking (PSC)	U/W INSPECTION, MULTIPLE H/L - 1/16" CRACKS, MULTIPLE FACES, GENERALLY THESE CRACKS ARE LOST IN THE SCALING AREA. SCALING 1/2" - 3/4" DEEP WITH LOOSE AGGREGATE X 360* FROM WATERLINE DOWN 4'. (4 LINEAR FT. OF PILE INSPECTED)	3	1	4 Each

General Comments

Bent 10 Foundation Pile 8

Prestressed Concrete Footing Pile

Element Number	Element Name	Total Qty	CS1 Qty	CS2 Qty	CS3 Qty	CS4 Qty
226	Prestressed Concrete Pile	1	0	0	1	0 Each

Element Number	Defect Type	Defect Description	CS	CS Qty	Maint Qty
226	Cracking (PSC)	U/W INSPECTION, MULTIPLE H/L CRACKS, MULTIPLE FACES, GENERALLY THESE CRACKS ARE LOST IN THE SCALING AREA. SCALING 1/2" - 3/4" DEEP WITH LOOSE AGGREGATE X 360* FROM WATERLINE DOWN 4'. (4 LINEAR FT. OF PILE INSPECTED)	3	1	4 Each

General Comments

Bent 10 Foundation Pile 9

Prestressed Concrete Footing Pile

Element Number	Element Name	Total Qty	CS1 Qty	CS2 Qty	CS3 Qty	CS4 Qty
226	Prestressed Concrete Pile	1	0	0	1	0 Each

Element Number	Defect Type	Defect Description	CS	CS Qty	Maint Qty
226	Cracking (PSC)	U/W INSPECTION, MULTIPLE H/L - 1/16" CRACKS, MULTIPLE FACES, GENERALLY THESE CRACKS ARE LOST IN THE SCALING AREA. SCALING 1/2" - 3/4" DEEP WITH LOOSE AGGREGATE X 360* FROM WATERLINE DOWN 4'. (4 LINEAR FT. OF PILE INSPECTED)	3	1	4 Each

General Comments

Bent 10 Foundation Pile 10

Prestressed Concrete Footing Pile

Element Number	Element Name	Total Qty	CS1 Qty	CS2 Qty	CS3 Qty	CS4 Qty
226	Prestressed Concrete Pile	1	0	0	1	0 Each

Element Number	Defect Type	Defect Description	CS	CS Qty	Maint Qty
226	Cracking (PSC)	U/W INSPECTION, MULTIPLE H/L CRACKS, MULTIPLE FACES, GENERALLY THESE CRACKS ARE LOST IN THE SCALING AREA. SCALING 1/2" - 3/4" DEEP WITH LOOSE AGGREGATE X 360* FROM WATERLINE DOWN 4'. (4 LINEAR FT. OF PILE INSPECTED)	3	1	4 Each

General Comments

Bent 10 Foundation Pile 11
Prestressed Concrete Footing Pile

Element Number	Element Name	Total Qty	CS1 Qty	CS2 Qty	CS3 Qty	CS4 Qty
226	Prestressed Concrete Pile	1	0	0	1	0 Each

Element Number	Defect Type	Defect Description	CS	CS Qty	Maint Qty
226	Abrasion/Wear (PSC/RC)	U/W INSPECTION, SCALING 1/2" - 3/4" DEEP WITH LOOSE AGGREGATE X 360* FROM WATERLINE DOWN 4'. (4 LINEAR FT. OF PILE INSPECTED)	3	1	4 Each

General Comments

Bent 10 Foundation Pile 12
Prestressed Concrete Footing Pile

Element Number	Element Name	Total Qty	CS1 Qty	CS2 Qty	CS3 Qty	CS4 Qty
226	Prestressed Concrete Pile	1	0	0	1	0 Each

Element Number	Defect Type	Defect Description	CS	CS Qty	Maint Qty
226	Cracking (PSC)	U/W INSPECTION, MULTIPLE H/L - 1/16" CRACKS, MULTIPLE FACES, GENERALLY THESE CRACKS ARE LOST IN THE SCALING AREA. SCALING 1/2" - 3/4" DEEP WITH LOOSE AGGREGATE X 360* FROM WATERLINE DOWN 4'. (4 LINEAR FT. OF PILE INSPECTED)	3	1	4 Each

General Comments

Bent 11 Footing
Reinforced Concrete Footing

Element Number	Element Name	Total Qty	CS1 Qty	CS2 Qty	CS3 Qty	CS4 Qty
220	Reinforced Concrete Pile Cap/Footing	32	0	32	0	0 Feet

Element Number	Defect Type	Defect Description	CS	CS Qty	Maint Qty
220	Cracking (RC and Other)	U/W INSPECTION; MULTIPLE RANDOM HAIRLINE CRACKS ON THE BOTTOM OF THE FOOTING.	2	32	Feet

General Comments

Bent 11 Foundation Pile 1
Prestressed Concrete Footing Pile

Element Number	Element Name	Total Qty	CS1 Qty	CS2 Qty	CS3 Qty	CS4 Qty
226	Prestressed Concrete Pile	1	1	0	0	0 Each

Element Number	Defect Type	Defect Description	CS	CS Qty	Maint Qty
226	Abrasion/Wear (PSC/RC)	U/W INSPECTION, SCALING 1/2" - 3/4" DEEP WITH LOOSE AGGREGATE X 360* FROM WATERLINE DOWN 4'. (4 LINEAR FT. OF PILE INSPECTED) PILE HAS BEEN JACKETED	1	1	Each

General Comments

PILE HAS BEEN JACKETED

Bent 11 Cap 1**Reinforced Concrete Pier Cap**

Element Number	Element Name	Total Qty	CS1 Qty	CS2 Qty	CS3 Qty	CS4 Qty
234	Reinforced Concrete Pier Cap	29	10	19	0	0 Feet

Element Number	Defect Type	Defect Description	CS	CS Qty	Maint Qty
234	Delamination/Spall	BENT 11 CAP SOUTH FACE BAY 1. HAS A CRACKED AND DELAMINATED AREA. AREA IS: 31" x 34"	2	3	3 Feet
234	Delamination/Spall	BENT 11 CAP SOUTH FACE UNDER BEAM 2. HAS A CRACKED AND DELAMINATED AREA. AREA IS: 34" x 36"	2	3	3 Feet
234	Patched Area	along South face of cap, multiple sound patches [up to 8ft x up to full height]	2	13	Feet

General Comments

Bent 11 Pile 2**Reinforced Concrete Column**

Element Number	Element Name	Total Qty	CS1 Qty	CS2 Qty	CS3 Qty	CS4 Qty
205	Reinforced Concrete Column	1	0	0	1	0 Each

Element Number	Defect Type	Defect Description	CS	CS Qty	Maint Qty
205	Delamination/Spall	West face, delamination [8ft high x 2ft] with vertical crack [1/32in x 12in high] and efflorescence	3	1	1 Each

General Comments

Bent 11 Foundation Pile 2**Prestressed Concrete Footing Pile**

Element Number	Element Name	Total Qty	CS1 Qty	CS2 Qty	CS3 Qty	CS4 Qty
226	Prestressed Concrete Pile	1	1	0	0	0 Each

Element Number	Defect Type	Defect Description	CS	CS Qty	Maint Qty
226	Abrasion/Wear (PSC/RC)	U/W INSPECTION, SCALING 1/2" - 3/4" DEEP WITH LOOSE AGGREGATE X 360* FROM WATERLINE DOWN 4'. (4 LINEAR FT. OF PILE INSPECTED) PILE HAS BEEN JACKETED.	1	1	Each

General Comments

PILE HAS BEEN JACKETED

Bent 11 Foundation Pile 3**Prestressed Concrete Footing Pile**

Element Number	Element Name	Total Qty	CS1 Qty	CS2 Qty	CS3 Qty	CS4 Qty
226	Prestressed Concrete Pile	1	0	0	1	0 Each

Element Number	Defect Type	Defect Description	CS	CS Qty	Maint Qty
226	Cracking (PSC)	U/W INSPECTION, MULTIPLE H/L - 1/16" CRACKS, MULTIPLE FACES, GENERALLY THESE CRACKS ARE LOST IN THE SCALING AREA. SCALING 1/2" - 3/4" DEEP WITH LOOSE AGGREGATE X 360* FROM WATERLINE DOWN 4'. (4 LINEAR FT. OF PILE INSPECTED)	3	1	4 Each

General Comments

Bent 11 Foundation Pile 4

Prestressed Concrete Footing Pile

Element Number	Element Name	Total Qty	CS1 Qty	CS2 Qty	CS3 Qty	CS4 Qty
226	Prestressed Concrete Pile	1	0	0	1	0 Each

Element Number	Defect Type	Defect Description	CS	CS Qty	Maint Qty
226	Cracking (PSC)	U/W INSPECTION, MULTIPLE H/L - 1/32" CRACKS, MULTIPLE FACES, GENERALLY THESE CRACKS ARE LOST IN THE SCALING AREA. SCALING 1/2" - 3/4" DEEP WITH LOOSE AGGREGATE X 360* FROM WATERLINE DOWN 4'. (4 LINEAR FT. OF PILE INSPECTED)	3	1	4 Each

General Comments

Bent 11 Foundation Pile 5

Prestressed Concrete Footing Pile

Element Number	Element Name	Total Qty	CS1 Qty	CS2 Qty	CS3 Qty	CS4 Qty
226	Prestressed Concrete Pile	1	0	0	1	0 Each

Element Number	Defect Type	Defect Description	CS	CS Qty	Maint Qty
226	Cracking (PSC)	U/W INSPECTION, MULTIPLE H/L - 1/16" CRACKS, MULTIPLE FACES, GENERALLY THESE CRACKS ARE LOST IN THE SCALING AREA. SCALING 1/2" - 3/4" DEEP WITH LOOSE AGGREGATE X 360* FROM WATERLINE DOWN 4'. (4 LINEAR FT. OF PILE INSPECTED)	3	1	4 Each

General Comments

Bent 11 Foundation Pile 6

Prestressed Concrete Footing Pile

Element Number	Element Name	Total Qty	CS1 Qty	CS2 Qty	CS3 Qty	CS4 Qty
226	Prestressed Concrete Pile	1	0	0	1	0 Each

Element Number	Defect Type	Defect Description	CS	CS Qty	Maint Qty
226	Cracking (PSC)	U/W INSPECTION, MULTIPLE H/L - 1/32" CRACKS, MULTIPLE FACES, GENERALLY THESE CRACKS ARE LOST IN THE SCALING AREA. SCALING 1/2" - 3/4" DEEP WITH LOOSE AGGREGATE X 360* FROM WATERLINE DOWN 4'. (4 LINEAR FT. OF PILE INSPECTED)	3	1	4 Each

General Comments

Bent 11 Foundation Pile 7

Prestressed Concrete Footing Pile

Element Number	Element Name	Total Qty	CS1 Qty	CS2 Qty	CS3 Qty	CS4 Qty
226	Prestressed Concrete Pile	1	0	0	1	0 Each

Element Number	Defect Type	Defect Description	CS	CS Qty	Maint Qty
226	Cracking (PSC)	U/W INSPECTION, MULTIPLE H/L - 1/16" CRACKS, MULTIPLE FACES, GENERALLY THESE CRACKS ARE LOST IN THE SCALING AREA. SCALING 1/2" - 3/4" DEEP WITH LOOSE AGGREGATE X 360* FROM WATERLINE DOWN 4'. (4 LINEAR FT. OF PILE INSPECTED)	3	1	4 Each

General Comments

Bent 11 Foundation Pile 8**Prestressed Concrete Footing Pile**

Element Number	Element Name	Total Qty	CS1 Qty	CS2 Qty	CS3 Qty	CS4 Qty
226	Prestressed Concrete Pile	1	0	0	1	0 Each

Element Number	Defect Type	Defect Description	CS	CS Qty	Maint Qty
226	Cracking (PSC)	U/W INSPECTION, MULTIPLE H/L - 1/16" CRACKS, MULTIPLE FACES, GENERALLY THESE CRACKS ARE LOST IN THE SCALING AREA. SCALING 1/2" - 3/4" DEEP WITH LOOSE AGGREGATE X 360* FROM WATERLINE DOWN 4'. (4 LINEAR FT. OF PILE INSPECTED)	3	1	4 Each

General Comments

Bent 11 Foundation Pile 9**Prestressed Concrete Footing Pile**

Element Number	Element Name	Total Qty	CS1 Qty	CS2 Qty	CS3 Qty	CS4 Qty
226	Prestressed Concrete Pile	1	0	0	1	0 Each

Element Number	Defect Type	Defect Description	CS	CS Qty	Maint Qty
226	Cracking (PSC)	U/W INSPECTION, MULTIPLE H/L - 1/16" CRACKS, MULTIPLE FACES, GENERALLY THESE CRACKS ARE LOST IN THE SCALING AREA. SCALING 1/2" - 3/4" DEEP WITH LOOSE AGGREGATE X 360* FROM WATERLINE DOWN 4'. (4 LINEAR FT. OF PILE INSPECTED)	3	1	4 Each

General Comments

Bent 11 Foundation Pile 10**Prestressed Concrete Footing Pile**

Element Number	Element Name	Total Qty	CS1 Qty	CS2 Qty	CS3 Qty	CS4 Qty
226	Prestressed Concrete Pile	1	0	0	1	0 Each

Element Number	Defect Type	Defect Description	CS	CS Qty	Maint Qty
226	Cracking (PSC)	U/W INSPECTION, MULTIPLE H/L CRACKS, MULTIPLE FACES, GENERALLY THESE CRACKS ARE LOST IN THE SCALING AREA. SCALING 1/2" - 3/4" DEEP WITH LOOSE AGGREGATE X 360* FROM WATERLINE DOWN 4'. (4 LINEAR FT. OF PILE INSPECTED)	3	1	4 Each

General Comments

Bent 11 Foundation Pile 11**Prestressed Concrete Footing Pile**

Element Number	Element Name	Total Qty	CS1 Qty	CS2 Qty	CS3 Qty	CS4 Qty
226	Prestressed Concrete Pile	1	0	0	1	0 Each

Element Number	Defect Type	Defect Description	CS	CS Qty	Maint Qty
226	Cracking (PSC)	U/W INSPECTION, MULTIPLE H/L - 1/16" CRACKS, MULTIPLE FACES, GENERALLY THESE CRACKS ARE LOST IN THE SCALING AREA. SCALING 1/2" - 3/4" DEEP WITH LOOSE AGGREGATE X 360* FROM WATERLINE DOWN 4'. (4 LINEAR FT. OF PILE INSPECTED)	3	1	4 Each

General Comments

Bent 11 Foundation Pile 12

Prestressed Concrete Footing Pile

Element Number	Element Name	Total Qty	CS1 Qty	CS2 Qty	CS3 Qty	CS4 Qty	
226	Prestressed Concrete Pile	1	1	0	0	0	Each

Element Number	Defect Type	Defect Description	CS	CS Qty	Maint Qty	
226	Abrasion/Wear (PSC/RC)	U/W INSPECTION, SCALING 1/2" - 3/4" DEEP WITH LOOSE AGGREGATE X 360" FROM WATERLINE DOWN 4'. (4 LINEAR FT. OF PILE INSPECTED) PILE HAS BEEN JACKETED.	1	1		Each

General Comments

PILE HAS BEEN JACKETED

Bent 12 Footing

Reinforced Concrete Footing

Element Number	Element Name	Total Qty	CS1 Qty	CS2 Qty	CS3 Qty	CS4 Qty	
220	Reinforced Concrete Pile Cap/Footing	32	0	32	0	0	Feet

Element Number	Defect Type	Defect Description	CS	CS Qty	Maint Qty	
220	Cracking (RC and Other)	U/W INSPECTION; MULTIPLE RANDOM HAIRLINE CRACKS ON THE BOTTOM OF THE FOOTING.	2	32		Feet

General Comments

Bent 12 Foundation Pile 1

Prestressed Concrete Footing Pile

Element Number	Element Name	Total Qty	CS1 Qty	CS2 Qty	CS3 Qty	CS4 Qty	
226	Prestressed Concrete Pile	1	1	0	0	0	Each

Element Number	Defect Type	Defect Description	CS	CS Qty	Maint Qty	
226	Abrasion/Wear (PSC/RC)	U/W INSPECTION, SCALING 1/2" - 3/4" DEEP WITH LOOSE AGGREGATE X 360" FROM WATERLINE DOWN 4'. (4 LINEAR FT. OF PILE INSPECTED) PILE HAS BEEN JACKETED.	1	1		Each

General Comments

PILE HAS BEEN JACKETED

Bent 12 Cap 1

Reinforced Concrete Pier Cap

Element Number	Element Name	Total Qty	CS1 Qty	CS2 Qty	CS3 Qty	CS4 Qty	
234	Reinforced Concrete Pier Cap	29	18	11	0	0	Feet

Element Number	Defect Type	Defect Description	CS	CS Qty	Maint Qty	
234	Patched Area	along South face, multiple sound patches [up to 7ft x full height]	2	11		Feet

General Comments

Bent 12 Foundation Pile 2
Prestressed Concrete Footing Pile

Element Number	Element Name	Total Qty	CS1 Qty	CS2 Qty	CS3 Qty	CS4 Qty
226	Prestressed Concrete Pile	1	1	0	0	0 Each

Element Number	Defect Type	Defect Description	CS	CS Qty	Maint Qty
226	Cracking (PSC)	U/W INSPECTION, FACE 4 HAS A 1/16" WIDE CRACK FROM CAP TO MUDLINE. CRACK TAPERS TO HAIRLINE AT THE MUDLINE. PILE HAS BEEN JACKETED	1	1	Each

General Comments
 PILE HAS BEEN JACKETED

Bent 12 Foundation Pile 3
Prestressed Concrete Footing Pile

Element Number	Element Name	Total Qty	CS1 Qty	CS2 Qty	CS3 Qty	CS4 Qty
226	Prestressed Concrete Pile	1	1	0	0	0 Each

Element Number	Defect Type	Defect Description	CS	CS Qty	Maint Qty
226	Abrasion/Wear (PSC/RC)	U/W INSPECTION, SCALING 1/2" - 3/4" DEEP WITH LOOSE AGGREGATE X 360" FROM WATERLINE DOWN 4'. (4 LINEAR FT. OF PILE INSPECTED) PILE HAS BEEN JACKETED.	1	1	Each

General Comments
 PILE HAS BEEN JACKETED

Bent 12 Foundation Pile 4
Prestressed Concrete Footing Pile

Element Number	Element Name	Total Qty	CS1 Qty	CS2 Qty	CS3 Qty	CS4 Qty
226	Prestressed Concrete Pile	1	1	0	0	0 Each

Element Number	Defect Type	Defect Description	CS	CS Qty	Maint Qty
226	Abrasion/Wear (PSC/RC)	U/W INSPECTION, SCALING 1/2" - 3/4" DEEP WITH LOOSE AGGREGATE X 360" FROM WATERLINE DOWN 4'. (4 LINEAR FT. OF PILE INSPECTED) PILE HAS BEEN JACKETED.	1	1	Each

General Comments
 PILE HAS BEEN JACKETED

Bent 12 Foundation Pile 5
Prestressed Concrete Footing Pile

Element Number	Element Name	Total Qty	CS1 Qty	CS2 Qty	CS3 Qty	CS4 Qty
226	Prestressed Concrete Pile	1	1	0	0	0 Each

Element Number	Defect Type	Defect Description	CS	CS Qty	Maint Qty
226	Abrasion/Wear (PSC/RC)	U/W INSPECTION, SCALING 1/2" - 3/4" DEEP WITH LOOSE AGGREGATE X 360" FROM WATERLINE DOWN 4'. (4 LINEAR FT. OF PILE INSPECTED) PILE HAS BEEN JACKETED.	1	1	Each

General Comments
 PILE HAS BEEN JACKETED

Bent 12 Foundation Pile 6**Prestressed Concrete Footing Pile**

Element Number	Element Name	Total Qty	CS1 Qty	CS2 Qty	CS3 Qty	CS4 Qty
226	Prestressed Concrete Pile	1	1	0	0	0 Each

Element Number	Defect Type	Defect Description	CS	CS Qty	Maint Qty
226	Abrasion/Wear (PSC/RC)	U/W INSPECTION, SCALING 1/2" - 3/4" DEEP WITH LOOSE AGGREGATE X 360* FROM WATERLINE DOWN 4'. (4 LINEAR FT. OF PILE INSPECTED) PILE HAS BEEN JACKETED.	1	1	Each

General Comments

PILE HAS BEEN JACKETED

Bent 12 Foundation Pile 7**Prestressed Concrete Footing Pile**

Element Number	Element Name	Total Qty	CS1 Qty	CS2 Qty	CS3 Qty	CS4 Qty
226	Prestressed Concrete Pile	1	1	0	0	0 Each

Element Number	Defect Type	Defect Description	CS	CS Qty	Maint Qty
226	Abrasion/Wear (PSC/RC)	U/W INSPECTION, SCALING 1/2" - 3/4" DEEP WITH LOOSE AGGREGATE X 360* FROM WATERLINE DOWN 4'. (4 LINEAR FT. OF PILE INSPECTED) PILE HAS BEEN JACKETED.	1	1	Each

General Comments

PILE HAS BEEN JACKETED

Bent 12 Foundation Pile 8**Prestressed Concrete Footing Pile**

Element Number	Element Name	Total Qty	CS1 Qty	CS2 Qty	CS3 Qty	CS4 Qty
226	Prestressed Concrete Pile	1	1	0	0	0 Each

Element Number	Defect Type	Defect Description	CS	CS Qty	Maint Qty
226	Abrasion/Wear (PSC/RC)	U/W INSPECTION, SCALING 1/2" - 3/4" DEEP WITH LOOSE AGGREGATE X 360* FROM WATERLINE DOWN 4'. (4 LINEAR FT. OF PILE INSPECTED) PILE HAS BEEN JACKETED.	1	1	Each

General Comments

PILE HAS BEEN JACKETED

Bent 12 Foundation Pile 9**Prestressed Concrete Footing Pile**

Element Number	Element Name	Total Qty	CS1 Qty	CS2 Qty	CS3 Qty	CS4 Qty
226	Prestressed Concrete Pile	1	1	0	0	0 Each

Element Number	Defect Type	Defect Description	CS	CS Qty	Maint Qty
226	Abrasion/Wear (PSC/RC)	U/W INSPECTION, SCALING 1/2" - 3/4" DEEP WITH LOOSE AGGREGATE X 360* FROM WATERLINE DOWN 4'. (4 LINEAR FT. OF PILE INSPECTED) PILE HAS BEEN JACKETED.	1	1	Each

General Comments

PILE HAS BEEN JACKETED

Bent 12 Foundation Pile 10**Prestressed Concrete Footing Pile**

Element Number	Element Name	Total Qty	CS1 Qty	CS2 Qty	CS3 Qty	CS4 Qty	
226	Prestressed Concrete Pile	1	1	0	0	0	Each

Element Number	Defect Type	Defect Description	CS	CS Qty	Maint Qty	
226	Abrasion/Wear (PSC/RC)	U/W INSPECTION, SCALING 1/2" - 3/4" DEEP WITH LOOSE AGGREGATE X 360* FROM WATERLINE DOWN 4'. (4 LINEAR FT. OF PILE INSPECTED) PILE HAS BEEN JACKETED.	1	1		Each

General Comments

PILE HAS BEEN JACKETED

Bent 12 Foundation Pile 11**Prestressed Concrete Footing Pile**

Element Number	Element Name	Total Qty	CS1 Qty	CS2 Qty	CS3 Qty	CS4 Qty	
226	Prestressed Concrete Pile	1	1	0	0	0	Each

Element Number	Defect Type	Defect Description	CS	CS Qty	Maint Qty	
226	Abrasion/Wear (PSC/RC)	U/W INSPECTION, SCALING 1/2" - 3/4" DEEP WITH LOOSE AGGREGATE X 360* FROM WATERLINE DOWN 4'. (4 LINEAR FT. OF PILE INSPECTED) PILE HAS BEEN JACKETED.	1	1		Each

General Comments

PILE HAS BEEN JACKETED

Bent 12 Foundation Pile 12**Prestressed Concrete Footing Pile**

Element Number	Element Name	Total Qty	CS1 Qty	CS2 Qty	CS3 Qty	CS4 Qty	
226	Prestressed Concrete Pile	1	1	0	0	0	Each

Element Number	Defect Type	Defect Description	CS	CS Qty	Maint Qty	
226	Abrasion/Wear (PSC/RC)	U/W INSPECTION, SCALING 1/2" - 3/4" DEEP WITH LOOSE AGGREGATE X 360* FROM WATERLINE DOWN 4'. (4 LINEAR FT. OF PILE INSPECTED) PILE HAS BEEN JACKETED.	1	1		Each

General Comments

PILE HAS BEEN JACKETED

Bent 13 Footing**Reinforced Concrete Footing**

Element Number	Element Name	Total Qty	CS1 Qty	CS2 Qty	CS3 Qty	CS4 Qty	
220	Reinforced Concrete Pile Cap/Footing	32	0	32	0	0	Feet

Element Number	Defect Type	Defect Description	CS	CS Qty	Maint Qty	
220	Cracking (RC and Other)	U/W INSPECTION; MULTIPLE RANDOM HAIRLINE CRACKS ON THE BOTTOM OF THE FOOTING.	2	32		Feet

General Comments

Bent 13 Foundation Pile 1

Prestressed Concrete Footing Pile

Element Number	Element Name	Total Qty	CS1 Qty	CS2 Qty	CS3 Qty	CS4 Qty
226	Prestressed Concrete Pile	1	0	0	1	0 Each

Element Number	Defect Type	Defect Description	CS	CS Qty	Maint Qty
226	Cracking (PSC)	U/W INSPECTION, MULTIPLE H/L - 1/16" CRACKS, MULTIPLE FACES, GENERALLY THESE CRACKS ARE LOST IN THE SCALING AREA. SCALING 1/2" - 3/4" DEEP WITH LOOSE AGGREGATE X 360* FROM WATERLINE DOWN 4'. (5 LINEAR FT. OF PILE INSPECTED)	3	1	4 Each

General Comments

Bent 13 Cap 1

Reinforced Concrete Pier Cap

Element Number	Element Name	Total Qty	CS1 Qty	CS2 Qty	CS3 Qty	CS4 Qty
234	Reinforced Concrete Pier Cap	29	0	29	0	0 Feet

Element Number	Defect Type	Defect Description	CS	CS Qty	Maint Qty
234	Patched Area	along South face and North face, multiple sound patches [up to 6ft x up to full height]	2	11	Feet
234	Patched Area	BENT 13 CAP HAS SCATTERED PATCHED AREAS WITH SOME HAIRLINE CRACKS. PATCHES ARE SOUND.	2	18	Feet

General Comments

Bent 13 Foundation Pile 2

Prestressed Concrete Footing Pile

Element Number	Element Name	Total Qty	CS1 Qty	CS2 Qty	CS3 Qty	CS4 Qty
226	Prestressed Concrete Pile	1	0	0	1	0 Each

Element Number	Defect Type	Defect Description	CS	CS Qty	Maint Qty
226	Cracking (PSC)	U/W INSPECTION, MULTIPLE H/L - 1/16" CRACKS, MULTIPLE FACES, GENERALLY THESE CRACKS ARE LOST IN THE SCALING AREA. SCALING 1/2" - 3/4" DEEP WITH LOOSE AGGREGATE X 360* FROM WATERLINE DOWN 4'. (5 LINEAR FT. OF PILE INSPECTED)	3	1	4 Each

General Comments

Bent 13 Foundation Pile 3

Prestressed Concrete Footing Pile

Element Number	Element Name	Total Qty	CS1 Qty	CS2 Qty	CS3 Qty	CS4 Qty
226	Prestressed Concrete Pile	1	0	0	1	0 Each

Element Number	Defect Type	Defect Description	CS	CS Qty	Maint Qty
226	Abrasion/Wear (PSC/RC)	U/W INSPECTION, SCALING 1/2" - 3/4" DEEP WITH LOOSE AGGREGATE X 360* FROM WATERLINE DOWN 4'. (5 LINEAR FT. OF PILE INSPECTED)	3	1	4 Each

General Comments

Bent 13 Foundation Pile 4**Prestressed Concrete Footing Pile**

Element Number	Element Name	Total Qty	CS1 Qty	CS2 Qty	CS3 Qty	CS4 Qty
226	Prestressed Concrete Pile	1	0	0	1	0 Each

Element Number	Defect Type	Defect Description	CS	CS Qty	Maint Qty
226	Cracking (PSC)	U/W INSPECTION, MULTIPLE H/L - 1/32" CRACKS, MULTIPLE FACES, GENERALLY THESE CRACKS ARE LOST IN THE SCALING AREA. SCALING 1/2" - 3/4" DEEP WITH LOOSE AGGREGATE X 360* FROM WATERLINE DOWN 4'. (5 LINEAR FT. OF PILE INSPECTED)	3	1	4 Each

General Comments

Bent 13 Foundation Pile 5**Prestressed Concrete Footing Pile**

Element Number	Element Name	Total Qty	CS1 Qty	CS2 Qty	CS3 Qty	CS4 Qty
226	Prestressed Concrete Pile	1	0	0	1	0 Each

Element Number	Defect Type	Defect Description	CS	CS Qty	Maint Qty
226	Abrasion/Wear (PSC/RC)	U/W INSPECTION, SCALING 1/2" - 3/4" DEEP WITH LOOSE AGGREGATE X 360* FROM WATERLINE DOWN 4'. (5 LINEAR FT. OF PILE INSPECTED)	3	1	4 Each

General Comments

Bent 13 Foundation Pile 6**Prestressed Concrete Footing Pile**

Element Number	Element Name	Total Qty	CS1 Qty	CS2 Qty	CS3 Qty	CS4 Qty
226	Prestressed Concrete Pile	1	0	0	1	0 Each

Element Number	Defect Type	Defect Description	CS	CS Qty	Maint Qty
226	Cracking (PSC)	U/W INSPECTION, MULTIPLE H/L - 1/16" CRACKS, MULTIPLE FACES, GENERALLY THESE CRACKS ARE LOST IN THE SCALING AREA. SCALING 1/2" - 3/4" DEEP WITH LOOSE AGGREGATE X 360* FROM WATERLINE DOWN 4'. (5 LINEAR FT. OF PILE INSPECTED)	3	1	4 Each

General Comments

Bent 13 Foundation Pile 7**Prestressed Concrete Footing Pile**

Element Number	Element Name	Total Qty	CS1 Qty	CS2 Qty	CS3 Qty	CS4 Qty
226	Prestressed Concrete Pile	1	0	0	1	0 Each

Element Number	Defect Type	Defect Description	CS	CS Qty	Maint Qty
226	Abrasion/Wear (PSC/RC)	U/W INSPECTION, SCALING 1/2" - 3/4" DEEP WITH LOOSE AGGREGATE X 360* FROM WATERLINE DOWN 4'. (5 LINEAR FT. OF PILE INSPECTED)	3	1	4 Each

General Comments

Bent 13 Foundation Pile 8

Prestressed Concrete Footing Pile

Element Number	Element Name	Total Qty	CS1 Qty	CS2 Qty	CS3 Qty	CS4 Qty
226	Prestressed Concrete Pile	1	0	0	1	0 Each

Element Number	Defect Type	Defect Description	CS	CS Qty	Maint Qty
226	Cracking (PSC)	U/W INSPECTION, MULTIPLE H/L - 1/16" CRACKS, MULTIPLE FACES, GENERALLY THESE CRACKS ARE LOST IN THE SCALING AREA. SCALING 1/2" - 3/4" DEEP WITH LOOSE AGGREGATE X 360° FROM WATERLINE DOWN 4'. (5 LINEAR FT. OF PILE INSPECTED)	3	1	4 Each

General Comments

Bent 13 Foundation Pile 9

Prestressed Concrete Footing Pile

Element Number	Element Name	Total Qty	CS1 Qty	CS2 Qty	CS3 Qty	CS4 Qty
226	Prestressed Concrete Pile	1	0	0	1	0 Each

Element Number	Defect Type	Defect Description	CS	CS Qty	Maint Qty
226	Cracking (PSC)	U/W INSPECTION, MULTIPLE H/L - 1/16" CRACKS, MULTIPLE FACES, GENERALLY THESE CRACKS ARE LOST IN THE SCALING AREA. SCALING 1/2" - 3/4" DEEP WITH LOOSE AGGREGATE X 360° FROM WATERLINE DOWN 4'. (5 LINEAR FT. OF PILE INSPECTED)	3	1	4 Each

General Comments

Bent 13 Foundation Pile 10

Prestressed Concrete Footing Pile

Element Number	Element Name	Total Qty	CS1 Qty	CS2 Qty	CS3 Qty	CS4 Qty
226	Prestressed Concrete Pile	1	0	0	1	0 Each

Element Number	Defect Type	Defect Description	CS	CS Qty	Maint Qty
226	Cracking (PSC)	U/W INSPECTION, F-6 CRACKED 1-16" - 1/8", SPALLED TO 1/4" X 13" LONG X 1/2" DEEP. MULTIPLE H/L - 1/16" CRACKS, MULTIPLE FACES, GENERALLY THESE CRACKS ARE LOST IN THE SCALING AREA. SCALING 1/2" - 3/4" DEEP WITH LOOSE AGGREGATE X 360° FROM WATERLINE DOWN 4'. (5 LINEAR FT. OF PILE INSPECTED)	3	1	4 Each

General Comments

Bent 13 Foundation Pile 11

Prestressed Concrete Footing Pile

Element Number	Element Name	Total Qty	CS1 Qty	CS2 Qty	CS3 Qty	CS4 Qty
226	Prestressed Concrete Pile	1	0	0	1	0 Each

Element Number	Defect Type	Defect Description	CS	CS Qty	Maint Qty
226	Abrasion/Wear (PSC/RC)	U/W INSPECTION, SCALING 1/2" - 3/4" DEEP WITH LOOSE AGGREGATE X 360° FROM WATERLINE DOWN 4'. (5 LINEAR FT. OF PILE INSPECTED)	3	1	4 Each

General Comments

Bent 13 Foundation Pile 12

Prestressed Concrete Footing Pile

Element Number	Element Name	Total Qty	CS1 Qty	CS2 Qty	CS3 Qty	CS4 Qty	
226	Prestressed Concrete Pile	1	0	0	1	0	Each

Element Number	Defect Type	Defect Description	CS	CS Qty	Maint Qty	
226	Abrasion/Wear (PSC/RC)	U/W INSPECTION, SCALING 1/2" - 3/4" DEEP WITH LOOSE AGGREGATE X 360* FROM WATERLINE DOWN 4'. (5 LINEAR FT. OF PILE INSPECTED)	3	1	4	Each

General Comments

Bent 14 Footing

Reinforced Concrete Footing

Element Number	Element Name	Total Qty	CS1 Qty	CS2 Qty	CS3 Qty	CS4 Qty	
220	Reinforced Concrete Pile Cap/Footing	32	0	32	0	0	Feet

Element Number	Defect Type	Defect Description	CS	CS Qty	Maint Qty	
220	Cracking (RC and Other)	U/W INSPECTION; MULTIPLE RANDOM HAIRLINE CRACKS ON THE BOTTOM OF THE FOOTING.	2	32		Feet

General Comments

Bent 14 Foundation Pile 1

Prestressed Concrete Footing Pile

Element Number	Element Name	Total Qty	CS1 Qty	CS2 Qty	CS3 Qty	CS4 Qty	
226	Prestressed Concrete Pile	1	0	0	1	0	Each

Element Number	Defect Type	Defect Description	CS	CS Qty	Maint Qty	
226	Cracking (PSC)	U/W INSPECTION, MULTIPLE H/L - 1/16" CRACKS, MULTIPLE FACES, GENERALLY THESE CRACKS ARE LOST IN THE SCALING AREA. SCALING 1/2" - 3/4" DEEP WITH LOOSE AGGREGATE X 360* FROM WATERLINE DOWN 4'. (7 LINEAR FT. OF PILE INSPECTED)	3	1	4	Each

General Comments

Bent 14 Cap 1

Reinforced Concrete Pier Cap

Element Number	Element Name	Total Qty	CS1 Qty	CS2 Qty	CS3 Qty	CS4 Qty	
234	Reinforced Concrete Pier Cap	29	11	13	5	0	Feet

Element Number	Defect Type	Defect Description	CS	CS Qty	Maint Qty	
234	Delamination/Spall	South face under beam 2, spall/delamination [56in x full height x 3in deep] with exposed rusted reinforcing [up to 20% section loss]	3	5	5	Feet
234	Patched Area	North face and South face, multiple sound patches [up to 5ft long x up to full height]	2	13		Feet

General Comments

Bent 14 Foundation Pile 2

Prestressed Concrete Footing Pile

Element Number	Element Name	Total Qty	CS1 Qty	CS2 Qty	CS3 Qty	CS4 Qty
226	Prestressed Concrete Pile	1	0	0	1	0 Each

Element Number	Defect Type	Defect Description	CS	CS Qty	Maint Qty
226	Cracking (PSC)	U/W INSPECTION, MULTIPLE H/L - 1/8" CRACKS, MULTIPLE FACES, GENERALLY THESE CRACKS ARE LOST IN THE SCALING AREA. SCALING 1/2" - 3/4" DEEP WITH LOOSE AGGREGATE X 360* FROM WATERLINE DOWN 4'. (7 LINEAR FT. OF PILE INSPECTED)	3	1	4 Each

General Comments

Bent 14 Foundation Pile 3

Prestressed Concrete Footing Pile

Element Number	Element Name	Total Qty	CS1 Qty	CS2 Qty	CS3 Qty	CS4 Qty
226	Prestressed Concrete Pile	1	0	0	1	0 Each

Element Number	Defect Type	Defect Description	CS	CS Qty	Maint Qty
226	Abrasion/Wear (PSC/RC)	U/W INSPECTION, SCALING 1/2" - 3/4" DEEP WITH LOOSE AGGREGATE X 360* FROM WATERLINE DOWN 4'. (7 LINEAR FT. OF PILE INSPECTED)	3	1	4 Each

General Comments

Bent 14 Foundation Pile 5

Prestressed Concrete Footing Pile

Element Number	Element Name	Total Qty	CS1 Qty	CS2 Qty	CS3 Qty	CS4 Qty
226	Prestressed Concrete Pile	1	0	0	1	0 Each

Element Number	Defect Type	Defect Description	CS	CS Qty	Maint Qty
226	Abrasion/Wear (PSC/RC)	U/W INSPECTION, SCALING 1/2" - 3/4" DEEP WITH LOOSE AGGREGATE X 360* FROM WATERLINE DOWN 4'. (7 LINEAR FT. OF PILE INSPECTED)	3	1	4 Each

General Comments

Bent 14 Foundation Pile 6

Prestressed Concrete Footing Pile

Element Number	Element Name	Total Qty	CS1 Qty	CS2 Qty	CS3 Qty	CS4 Qty
226	Prestressed Concrete Pile	1	0	0	1	0 Each

Element Number	Defect Type	Defect Description	CS	CS Qty	Maint Qty
226	Cracking (PSC)	U/W INSPECTION, MULTIPLE H/L CRACKS, MULTIPLE FACES, GENERALLY THESE CRACKS ARE LOST IN THE SCALING AREA. SCALING 1/2" - 3/4" DEEP WITH LOOSE AGGREGATE X 360* FROM WATERLINE DOWN 4'. (7 LINEAR FT. OF PILE INSPECTED)	3	1	4 Each

General Comments

Bent 14 Foundation Pile 7

Prestressed Concrete Footing Pile

Element Number	Element Name	Total Qty	CS1 Qty	CS2 Qty	CS3 Qty	CS4 Qty
226	Prestressed Concrete Pile	1	0	0	1	0 Each

Element Number	Defect Type	Defect Description	CS	CS Qty	Maint Qty
226	Cracking (PSC)	U/W INSPECTION, MULTIPLE H/L - 1/16" CRACKS, MULTIPLE FACES, GENERALLY THESE CRACKS ARE LOST IN THE SCALING AREA. SCALING 1/2" - 3/4" DEEP WITH LOOSE AGGREGATE X 360* FROM WATERLINE DOWN 4'. (7 LINEAR FT. OF PILE INSPECTED)	3	1	4 Each

General Comments

Bent 14 Foundation Pile 8

Prestressed Concrete Footing Pile

Element Number	Element Name	Total Qty	CS1 Qty	CS2 Qty	CS3 Qty	CS4 Qty
226	Prestressed Concrete Pile	1	0	0	1	0 Each

Element Number	Defect Type	Defect Description	CS	CS Qty	Maint Qty
226	Cracking (PSC)	U/W INSPECTION, MULTIPLE H/L - 1/16" CRACKS, MULTIPLE FACES, GENERALLY THESE CRACKS ARE LOST IN THE SCALING AREA. SCALING 1/2" - 3/4" DEEP WITH LOOSE AGGREGATE X 360* FROM WATERLINE DOWN 4'. (7 LINEAR FT. OF PILE INSPECTED)	3	1	4 Each

General Comments

Bent 14 Foundation Pile 9

Prestressed Concrete Footing Pile

Element Number	Element Name	Total Qty	CS1 Qty	CS2 Qty	CS3 Qty	CS4 Qty
226	Prestressed Concrete Pile	1	0	0	1	0 Each

Element Number	Defect Type	Defect Description	CS	CS Qty	Maint Qty
226	Cracking (PSC)	U/W INSPECTION, MULTIPLE H/L - 1/16" CRACKS X 1' LONG, MULTIPLE FACES, GENERALLY THESE CRACKS ARE LOST IN THE SCALING AREA. SCALING 1/2" - 3/4" DEEP WITH LOOSE AGGREGATE X 360* FROM WATERLINE DOWN 4'. (7 LINEAR FT. OF PILE INSPECTED)	3	1	4 Each

General Comments

Bent 14 Foundation Pile 10

Prestressed Concrete Footing Pile

Element Number	Element Name	Total Qty	CS1 Qty	CS2 Qty	CS3 Qty	CS4 Qty
226	Prestressed Concrete Pile	1	0	0	1	0 Each

Element Number	Defect Type	Defect Description	CS	CS Qty	Maint Qty
226	Cracking (PSC)	U/W INSPECTION, MULTIPLE H/L - 1/16" CRACKS, MULTIPLE FACES, GENERALLY THESE CRACKS ARE LOST IN THE SCALING AREA. SCALING 1/2" - 3/4" DEEP WITH LOOSE AGGREGATE X 360* FROM WATERLINE DOWN 4'. (7 LINEAR FT. OF PILE INSPECTED)	3	1	4 Each

General Comments

Bent 14 **Foundation Pile 11****Prestressed Concrete Footing Pile**

Element Number	Element Name	Total Qty	CS1 Qty	CS2 Qty	CS3 Qty	CS4 Qty
226	Prestressed Concrete Pile	1	0	0	1	0 Each

Element Number	Defect Type	Defect Description	CS	CS Qty	Maint Qty
226	Cracking (PSC)	U/W INSPECTION, MULTIPLE H/L - 1/16" CRACKS, MULTIPLE FACES, GENERALLY THESE CRACKS ARE LOST IN THE SCALING AREA. SCALING 1/2" - 3/4" DEEP WITH LOOSE AGGREGATE X 360° FROM WATERLINE DOWN 4'. (7 LINEAR FT. OF PILE INSPECTED)	3	1	4 Each

General Comments

Bent 14 **Foundation Pile 12****Prestressed Concrete Footing Pile**

Element Number	Element Name	Total Qty	CS1 Qty	CS2 Qty	CS3 Qty	CS4 Qty
226	Prestressed Concrete Pile	1	0	0	1	0 Each

Element Number	Defect Type	Defect Description	CS	CS Qty	Maint Qty
226	Cracking (PSC)	U/W INSPECTION, MULTIPLE H/L - 1/16" CRACKS, MULTIPLE FACES, GENERALLY THESE CRACKS ARE LOST IN THE SCALING AREA. SCALING 1/2" - 3/4" DEEP WITH LOOSE AGGREGATE X 360° FROM WATERLINE DOWN 4'. (7 LINEAR FT. OF PILE INSPECTED)	3	1	4 Each

General Comments

Bent 15 **Footing****Reinforced Concrete Footing**

Element Number	Element Name	Total Qty	CS1 Qty	CS2 Qty	CS3 Qty	CS4 Qty
220	Reinforced Concrete Pile Cap/Footing	32	0	32	0	0 Feet

Element Number	Defect Type	Defect Description	CS	CS Qty	Maint Qty
220	Cracking (RC and Other)	along West face and South face, multiple vertical cracks [1/32in x full height]	2	15	Feet
220	Cracking (RC and Other)	U/W INSPECTION; MULTIPLE RANDOM HAIRLINE CRACKS ON THE BOTTOM OF THE FOOTING.	2	17	Feet

General Comments

Bent 15 **Pile 1****Reinforced Concrete Column**

Element Number	Element Name	Total Qty	CS1 Qty	CS2 Qty	CS3 Qty	CS4 Qty
205	Reinforced Concrete Column	1	0	1	0	0 Each

Element Number	Defect Type	Defect Description	CS	CS Qty	Maint Qty
205	Patched Area	BENT 15 PILE 1 WEST, SOUTH AND EAST FACE. HAS A CRACKED AREA WITH SCATTERED CRACKS. LOCATED 36" FROM BOTTOM OF CAP. PATCH APPEARS TO BE SOUND.	2		Each

205 Patched Area North face and Northeast corner, sound patch [5ft x up to full width] 2 1 Each

General Comments

Bent 15 Foundation Pile 1

Prestressed Concrete Footing Pile

Element Number	Element Name	Total Qty	CS1 Qty	CS2 Qty	CS3 Qty	CS4 Qty	
226	Prestressed Concrete Pile	1	0	0	1	0	Each

Element Number	Defect Type	Defect Description	CS	CS Qty	Maint Qty	
226	Cracking (PSC)	U/W INSPECTION, MULTIPLE H/L - 1/16" CRACKS, MULTIPLE FACES, GENERALLY THESE CRACKS ARE LOST IN THE SCALING AREA. SCALING 1/2" - 3/4" DEEP WITH LOOSE AGGREGATE X 360" FROM WATERLINE DOWN 4'. (12 LINEAR FT. OF PILE INSPECTED)	3	1	4	Each

General Comments

Bent 15 Cap 1

Reinforced Concrete Pier Cap

Element Number	Element Name	Total Qty	CS1 Qty	CS2 Qty	CS3 Qty	CS4 Qty	
234	Reinforced Concrete Pier Cap	29	11	18	0	0	Feet

Element Number	Defect Type	Defect Description	CS	CS Qty	Maint Qty	
234	Patched Area	along North face and South face, multiple sound patches [up to 8ft long x up to full height]	2	18		Feet

General Comments

Bent 15 Foundation Pile 2

Prestressed Concrete Footing Pile

Element Number	Element Name	Total Qty	CS1 Qty	CS2 Qty	CS3 Qty	CS4 Qty	
226	Prestressed Concrete Pile	1	0	0	1	0	Each

Element Number	Defect Type	Defect Description	CS	CS Qty	Maint Qty	
226	Cracking (PSC)	U/W INSPECTION, MULTIPLE H/L - 1/16" CRACKS, MULTIPLE FACES, GENERALLY THESE CRACKS ARE LOST IN THE SCALING AREA. SCALING 1/2" - 1" DEEP WITH LOOSE AGGREGATE X 360" FROM WATERLINE DOWN 4'. (12 LINEAR FT. OF PILE INSPECTED)	3	1	4	Each

General Comments

Bent 15 Foundation Pile 3

Prestressed Concrete Footing Pile

Element Number	Element Name	Total Qty	CS1 Qty	CS2 Qty	CS3 Qty	CS4 Qty	
226	Prestressed Concrete Pile	1	0	0	1	0	Each

Element Number	Defect Type	Defect Description	CS	CS Qty	Maint Qty	
226	Abrasion/Wear (PSC/RC)	U/W INSPECTION, SCALING 1/2" - 3/4" DEEP WITH LOOSE AGGREGATE X 360" FROM WATERLINE DOWN 4'. (12 LINEAR FT. OF PILE INSPECTED)	3	1	4	Each

General Comments

Bent 15 Foundation Pile 4**Prestressed Concrete Footing Pile**

Element Number	Element Name	Total Qty	CS1 Qty	CS2 Qty	CS3 Qty	CS4 Qty
226	Prestressed Concrete Pile	1	0	0	1	0 Each

Element Number	Defect Type	Defect Description	CS	CS Qty	Maint Qty
226	Cracking (PSC)	U/W INSPECTION, MULTIPLE H/L - 1/16" CRACKS, MULTIPLE FACES, GENERALLY THESE CRACKS ARE LOST IN THE SCALING AREA. SCALING 1/2" - 3/4" DEEP WITH LOOSE AGGREGATE X 360* FROM WATERLINE DOWN 4'. (12 LINEAR FT. OF PILE INSPECTED)	3	1	4 Each

General Comments

Bent 15 Foundation Pile 5**Prestressed Concrete Footing Pile**

Element Number	Element Name	Total Qty	CS1 Qty	CS2 Qty	CS3 Qty	CS4 Qty
226	Prestressed Concrete Pile	1	0	0	1	0 Each

Element Number	Defect Type	Defect Description	CS	CS Qty	Maint Qty
226	Cracking (PSC)	U/W INSPECTION, MULTIPLE H/L - 1/16" CRACKS, MULTIPLE FACES, GENERALLY THESE CRACKS ARE LOST IN THE SCALING AREA. SCALING 1/2" - 3/4" DEEP WITH LOOSE AGGREGATE X 360* FROM WATERLINE DOWN 4'. (12 LINEAR FT. OF PILE INSPECTED)	3	1	4 Each

General Comments

Bent 15 Foundation Pile 6**Prestressed Concrete Footing Pile**

Element Number	Element Name	Total Qty	CS1 Qty	CS2 Qty	CS3 Qty	CS4 Qty
226	Prestressed Concrete Pile	1	0	0	1	0 Each

Element Number	Defect Type	Defect Description	CS	CS Qty	Maint Qty
226	Abrasion/Wear (PSC/RC)	U/W INSPECTION, SCALING 1/2" - 3/4" DEEP WITH LOOSE AGGREGATE X 360* FROM WATERLINE DOWN 4'. (12 LINEAR FT. OF PILE INSPECTED)	3	1	4 Each

General Comments

Bent 15 Foundation Pile 7**Prestressed Concrete Footing Pile**

Element Number	Element Name	Total Qty	CS1 Qty	CS2 Qty	CS3 Qty	CS4 Qty
226	Prestressed Concrete Pile	1	0	0	1	0 Each

Element Number	Defect Type	Defect Description	CS	CS Qty	Maint Qty
226	Cracking (PSC)	U/W INSPECTION, MULTIPLE H/L - 1/16" CRACKS, MULTIPLE FACES, GENERALLY THESE CRACKS ARE LOST IN THE SCALING AREA. SCALING 1/2" - 3/4" DEEP WITH LOOSE AGGREGATE X 360* FROM WATERLINE DOWN 4'. (12 LINEAR FT. OF PILE INSPECTED)	3	1	4 Each

General Comments

Bent 15 **Foundation Pile 8****Prestressed Concrete Footing Pile**

Element Number	Element Name	Total Qty	CS1 Qty	CS2 Qty	CS3 Qty	CS4 Qty
226	Prestressed Concrete Pile	1	0	0	1	0 Each

Element Number	Defect Type	Defect Description	CS	CS Qty	Maint Qty
226	Cracking (PSC)	U/W INSPECTION, MULTIPLE H/L - 1/16" CRACKS, MULTIPLE FACES, GENERALLY THESE CRACKS ARE LOST IN THE SCALING AREA. SCALING 1/2" - 3/4" DEEP WITH LOOSE AGGREGATE X 360* FROM WATERLINE DOWN 4'. (4 LINEAR FT. OF PILE INSPECTED)	3	1	4 Each

General Comments

Bent 15 **Foundation Pile 9****Prestressed Concrete Footing Pile**

Element Number	Element Name	Total Qty	CS1 Qty	CS2 Qty	CS3 Qty	CS4 Qty
226	Prestressed Concrete Pile	1	0	0	1	0 Each

Element Number	Defect Type	Defect Description	CS	CS Qty	Maint Qty
226	Cracking (PSC)	U/W INSPECTION, MULTIPLE H/L - 1/16" CRACKS, MULTIPLE FACES, GENERALLY THESE CRACKS ARE LOST IN THE SCALING AREA. SCALING 1/2" - 3/4" DEEP WITH LOOSE AGGREGATE X 360* FROM WATERLINE DOWN 4'. (12 LINEAR FT. OF PILE INSPECTED)	3	1	4 Each

General Comments

Bent 15 **Foundation Pile 10****Prestressed Concrete Footing Pile**

Element Number	Element Name	Total Qty	CS1 Qty	CS2 Qty	CS3 Qty	CS4 Qty
226	Prestressed Concrete Pile	1	0	0	1	0 Each

Element Number	Defect Type	Defect Description	CS	CS Qty	Maint Qty
226	Cracking (PSC)	U/W INSPECTION, MULTIPLE H/L - 1/16" CRACKS, MULTIPLE FACES, GENERALLY THESE CRACKS ARE LOST IN THE SCALING AREA. SCALING 1/2" - 3/4" DEEP WITH LOOSE AGGREGATE X 360* FROM WATERLINE DOWN 4'. (12 LINEAR FT. OF PILE INSPECTED)	3	1	4 Each

General Comments

Bent 15 **Foundation Pile 11****Prestressed Concrete Footing Pile**

Element Number	Element Name	Total Qty	CS1 Qty	CS2 Qty	CS3 Qty	CS4 Qty
226	Prestressed Concrete Pile	1	0	0	1	0 Each

Element Number	Defect Type	Defect Description	CS	CS Qty	Maint Qty
----------------	-------------	--------------------	----	--------	-----------

Structure Number: 070007

Inspection Date: 03/03/2022

226	Cracking (PSC)	U/W INSPECTION, MULTIPLE H/L 1/16" -1/8" CRACKS, SPALLED TO 1/4", MULTIPLE FACES, GENERALLY THESE CRACKS ARE LOST IN THE SCALING AREA. SCALING 1/2" - 3/4" DEEP WITH LOOSE AGGREGATE X 360* FROM WATERLINE DOWN 4'. (12 LINEAR FT. OF PILE INSPECTED)	3	1	4	Each
-----	----------------	---	---	---	---	------

General Comments

Bent 15 **Foundation Pile 12**
Prestressed Concrete Footing Pile

Element Number	Element Name	Total Qty	CS1 Qty	CS2 Qty	CS3 Qty	CS4 Qty	
226	Prestressed Concrete Pile	1	0	0	1	0	Each

Element Number	Defect Type	Defect Description	CS	CS Qty	Maint Qty	
226	Cracking (PSC)	U/W INSPECTION, F-6 MULTIPLE H/L 1/16" -1/8" CRACKS, SPALLED TO 1/4", GENERALLY THESE CRACKS ARE LOST IN THE SCALING AREA. SCALING 1/2" - 3/4" DEEP WITH LOOSE AGGREGATE X 360* FROM WATERLINE DOWN 4'. (12 LINEAR FT. OF PILE INSPECTED)	3	1	4	Each

General Comments

Bent 16 **Footing**
Reinforced Concrete Footing

Element Number	Element Name	Total Qty	CS1 Qty	CS2 Qty	CS3 Qty	CS4 Qty	
220	Reinforced Concrete Pile Cap/Footing	33	0	33	0	0	Feet

Element Number	Defect Type	Defect Description	CS	CS Qty	Maint Qty	
220	Cracking (RC and Other)	U/W INSPECTION; MULTIPLE RANDOM HAIRLINE CRACKS ON THE BOTTOM OF THE FOOTING.	2	28		Feet
220	Patched Area	at Southwest and Northwest corners and North face, multiple sound patches [up to 5ft x 2ft]	2	5		Feet

General Comments

Bent 16 **Cap 1**
Reinforced Concrete Pier Cap

Element Number	Element Name	Total Qty	CS1 Qty	CS2 Qty	CS3 Qty	CS4 Qty	
234	Reinforced Concrete Pier Cap	29	22	6	1	0	Feet

Element Number	Defect Type	Defect Description	CS	CS Qty	Maint Qty	
234	Delamination/Spall	BENT 16 CAP NORTH FACE AT BEAM 4. HAS A SPALLED AREA. AREA IS: 4" x 9" x 2 1/2" DEEP.	3	1	1	Feet
234	Patched Area	along cap, sound patch	2	2		Feet
234	Patched Area	BENT 16 CAP NORTH FACE HAS 2 PATCHED AREAS WITH SCATTERED HAIRLINE CRACKS. LOCATED IN BAY 2 AND UNDER BEAM 4. PATCHES ARE SOUND.	2	4		Feet

General Comments

Bent 16 Foundation Pile 1

Prestressed Concrete Footing Pile

Element Number	Element Name	Total Qty	CS1 Qty	CS2 Qty	CS3 Qty	CS4 Qty
226	Prestressed Concrete Pile	1	0	0	1	0 Each

Element Number	Defect Type	Defect Description	CS	CS Qty	Maint Qty
226	Cracking (PSC)	U/W INSPECTION, MULTIPLE H/L - 1/16" CRACKS, GENERALLY THESE CRACKS ARE LOST IN THE SCALING AREA. SCALING 1/2" - 1" DEEP WITH LOOSE AGGREGATE X 360* FROM WATERLINE DOWN 4'. (17 LINEAR FT. OF PILE INSPECTED)	3	1	4 Each

General Comments

Bent 16 Foundation Pile 2

Prestressed Concrete Footing Pile

Element Number	Element Name	Total Qty	CS1 Qty	CS2 Qty	CS3 Qty	CS4 Qty
226	Prestressed Concrete Pile	1	0	0	1	0 Each

Element Number	Defect Type	Defect Description	CS	CS Qty	Maint Qty
226	Cracking (PSC)	U/W INSPECTION, MULTIPLE H/L - 1/16" CRACKS, MULTIPLE FACES, GENERALLY THESE CRACKS ARE LOST IN THE SCALING AREA. SCALING 1/2" - 3/4" DEEP WITH LOOSE AGGREGATE X 360* FROM WATERLINE DOWN 4'. (17 LINEAR FT. OF PILE INSPECTED)	3	1	4 Each

General Comments

Bent 16 Foundation Pile 3

Prestressed Concrete Footing Pile

Element Number	Element Name	Total Qty	CS1 Qty	CS2 Qty	CS3 Qty	CS4 Qty
226	Prestressed Concrete Pile	1	0	0	1	0 Each

Element Number	Defect Type	Defect Description	CS	CS Qty	Maint Qty
226	Abrasion/Wear (PSC/RC)	U/W INSPECTION, SCALING 1/2" - 3/4" DEEP WITH LOOSE AGGREGATE X 360* FROM WATERLINE DOWN 4'. (17 LINEAR FT. OF PILE INSPECTED)	3	1	4 Each

General Comments

Bent 16 Foundation Pile 4

Prestressed Concrete Footing Pile

Element Number	Element Name	Total Qty	CS1 Qty	CS2 Qty	CS3 Qty	CS4 Qty
226	Prestressed Concrete Pile	1	0	0	1	0 Each

Element Number	Defect Type	Defect Description	CS	CS Qty	Maint Qty
226	Cracking (PSC)	U/W INSPECTION, MULTIPLE H/L - 1/32" CRACKS, MULTIPLE FACES, GENERALLY THESE CRACKS ARE LOST IN THE SCALING AREA. SCALING 1/2" - 3/4" DEEP WITH LOOSE AGGREGATE X 360* FROM WATERLINE DOWN 4'. (17 LINEAR FT. OF PILE INSPECTED)	3	1	4 Each

General Comments

Bent 16 Foundation Pile 5

Prestressed Concrete Footing Pile

Element Number	Element Name	Total Qty	CS1 Qty	CS2 Qty	CS3 Qty	CS4 Qty
226	Prestressed Concrete Pile	1	0	0	1	0 Each

Element Number	Defect Type	Defect Description	CS	CS Qty	Maint Qty
226	Cracking (PSC)	U/W INSPECTION, MULTIPLE H/L - 1/32" CRACKS, MULTIPLE FACES, GENERALLY THESE CRACKS ARE LOST IN THE SCALING AREA. SCALING 1/2" - 3/4" DEEP WITH LOOSE AGGREGATE X 360* FROM WATERLINE DOWN 4'. (17 LINEAR FT. OF PILE INSPECTED)	3	1	4 Each

General Comments

Bent 16 Foundation Pile 6

Prestressed Concrete Footing Pile

Element Number	Element Name	Total Qty	CS1 Qty	CS2 Qty	CS3 Qty	CS4 Qty
226	Prestressed Concrete Pile	1	0	0	1	0 Each

Element Number	Defect Type	Defect Description	CS	CS Qty	Maint Qty
226	Cracking (PSC)	U/W INSPECTION, MULTIPLE H/L - 1/16" CRACKS, MULTIPLE FACES, GENERALLY THESE CRACKS ARE LOST IN THE SCALING AREA. SCALING 1/2" - 3/4" DEEP WITH LOOSE AGGREGATE X 360* FROM WATERLINE DOWN 4'. (17 LINEAR FT. OF PILE INSPECTED)	3	1	4 Each

General Comments

Bent 16 Foundation Pile 7

Prestressed Concrete Footing Pile

Element Number	Element Name	Total Qty	CS1 Qty	CS2 Qty	CS3 Qty	CS4 Qty
226	Prestressed Concrete Pile	1	0	0	1	0 Each

Element Number	Defect Type	Defect Description	CS	CS Qty	Maint Qty
226	Cracking (PSC)	U/W INSPECTION, MULTIPLE H/L - 1/16" CRACKS, MULTIPLE FACES, GENERALLY THESE CRACKS ARE LOST IN THE SCALING AREA. SCALING 1/2" - 3/4" DEEP WITH LOOSE AGGREGATE X 360* FROM WATERLINE DOWN 4'. (17 LINEAR FT. OF PILE INSPECTED)	3	1	4 Each

General Comments

Bent 16 Foundation Pile 8

Prestressed Concrete Footing Pile

Element Number	Element Name	Total Qty	CS1 Qty	CS2 Qty	CS3 Qty	CS4 Qty
226	Prestressed Concrete Pile	1	0	0	1	0 Each

Element Number	Defect Type	Defect Description	CS	CS Qty	Maint Qty
226	Cracking (PSC)	U/W INSPECTION, MULTIPLE H/L - 1/16" CRACKS, MULTIPLE FACES, GENERALLY THESE CRACKS ARE LOST IN THE SCALING AREA. SCALING 1/2" - 3/4" DEEP WITH LOOSE AGGREGATE X 360* FROM WATERLINE DOWN 4'. (17 LINEAR FT. OF PILE INSPECTED)	3	1	4 Each

General Comments

Bent 16 Foundation Pile 9**Prestressed Concrete Footing Pile**

Element Number	Element Name	Total Qty	CS1 Qty	CS2 Qty	CS3 Qty	CS4 Qty
226	Prestressed Concrete Pile	1	0	0	1	0 Each

Element Number	Defect Type	Defect Description	CS	CS Qty	Maint Qty
226	Abrasion/Wear (PSC/RC)	U/W INSPECTION, SCALING 1/2" - 3/4" DEEP WITH LOOSE AGGREGATE X 360* FROM WATERLINE DOWN 4'. (17 LINEAR FT. OF PILE INSPECTED)	3	1	4 Each

General Comments

Bent 16 Foundation Pile 10**Prestressed Concrete Footing Pile**

Element Number	Element Name	Total Qty	CS1 Qty	CS2 Qty	CS3 Qty	CS4 Qty
226	Prestressed Concrete Pile	1	0	0	1	0 Each

Element Number	Defect Type	Defect Description	CS	CS Qty	Maint Qty
226	Cracking (PSC)	U/W INSPECTION, MULTIPLE H/L - 1/16" CRACKS, MULTIPLE FACES, GENERALLY THESE CRACKS ARE LOST IN THE SCALING AREA. SCALING 1/2" - 3/4" DEEP WITH LOOSE AGGREGATE X 360* FROM WATERLINE DOWN 4'. (17 LINEAR FT. OF PILE INSPECTED)	3	1	4 Each

General Comments

Bent 16 Foundation Pile 11**Prestressed Concrete Footing Pile**

Element Number	Element Name	Total Qty	CS1 Qty	CS2 Qty	CS3 Qty	CS4 Qty
226	Prestressed Concrete Pile	1	0	0	1	0 Each

Element Number	Defect Type	Defect Description	CS	CS Qty	Maint Qty
226	Cracking (PSC)	U/W INSPECTION, MULTIPLE H/L - 1/16" CRACKS, MULTIPLE FACES, GENERALLY THESE CRACKS ARE LOST IN THE SCALING AREA. SCALING 1/2" - 3/4" DEEP WITH LOOSE AGGREGATE X 360* FROM WATERLINE DOWN 4'. (17 LINEAR FT. OF PILE INSPECTED)	3	1	4 Each

General Comments

Bent 16 Foundation Pile 12**Prestressed Concrete Footing Pile**

Element Number	Element Name	Total Qty	CS1 Qty	CS2 Qty	CS3 Qty	CS4 Qty
226	Prestressed Concrete Pile	1	0	0	1	0 Each

Element Number	Defect Type	Defect Description	CS	CS Qty	Maint Qty
226	Cracking (PSC)	U/W INSPECTION, MULTIPLE H/L - 1/16" CRACKS, MULTIPLE FACES, GENERALLY THESE CRACKS ARE LOST IN THE SCALING AREA. SCALING 1/2" - 3/4" DEEP WITH LOOSE AGGREGATE X 360* FROM WATERLINE DOWN 4'. (17 LINEAR FT. OF PILE INSPECTED)	3	1	4 Each

General Comments

Bent 17 Footing**Reinforced Concrete Footing**

Element Number	Element Name	Total Qty	CS1 Qty	CS2 Qty	CS3 Qty	CS4 Qty	
220	Reinforced Concrete Pile Cap/Footing	33	21	12	0	0	Feet

Element Number	Defect Type	Defect Description	CS	CS Qty	Maint Qty	
220	Cracking (RC and Other)	BENT 17 FOOTING HAS SCATTERED CRACKS.	2	12		Feet
220	Cracking (RC and Other)	U/W INSPECTION; MULTIPLE RANDOM HAIRLINE CRACKS ON THE BOTTOM OF THE FOOTING.	2			Feet

General Comments

Bent 17 Cap 1**Reinforced Concrete Pier Cap**

Element Number	Element Name	Total Qty	CS1 Qty	CS2 Qty	CS3 Qty	CS4 Qty	
234	Reinforced Concrete Pier Cap	29	25	4	0	0	Feet

Element Number	Defect Type	Defect Description	CS	CS Qty	Maint Qty	
234	Delamination/Spall	BENT 17 CAP BOTTOM AND NORTH FACE AT WEST END. HAS A CRACKED AND DELAMINATED AREA. AREA IS: FROM BOTTOM EDGE BACK 4", FROM BOTTOM EDGE UP 7" x 20".	2	2	2	Feet
234	Patched Area	at Southwest corner, sound patch [2ft x 1ft]	2	2		Feet

General Comments

Bent 17 Foundation Pile 1**Prestressed Concrete Footing Pile**

Element Number	Element Name	Total Qty	CS1 Qty	CS2 Qty	CS3 Qty	CS4 Qty	
226	Prestressed Concrete Pile	1	0	0	1	0	Each

Element Number	Defect Type	Defect Description	CS	CS Qty	Maint Qty	
226	Abrasion/Wear (PSC/RC)	U/W INSPECTION; SCALING TO 1/2" - 3/4" DEEP WITH LOOSE AGGREGATE X 360*.	3	1	5	Each

General Comments

Bent 17 Foundation Pile 16**Prestressed Concrete Footing Pile**

Element Number	Element Name	Total Qty	CS1 Qty	CS2 Qty	CS3 Qty	CS4 Qty	
226	Prestressed Concrete Pile	1	0	0	1	0	Each

Element Number	Defect Type	Defect Description	CS	CS Qty	Maint Qty	
226	Abrasion/Wear (PSC/RC)	U/W INSPECTION; SCALING TO 1/2" - 3/4" DEEP WITH LOOSE AGGREGATE X 360* FROM WATERLINE DOWN 5'.	3	1	5	Each

General Comments

Bent 17 Foundation Pile 2

Prestressed Concrete Footing Pile

Element Number	Element Name	Total Qty	CS1 Qty	CS2 Qty	CS3 Qty	CS4 Qty
226	Prestressed Concrete Pile	1	0	0	1	0 Each

Element Number	Defect Type	Defect Description	CS	CS Qty	Maint Qty
226	Abrasion/Wear (PSC/RC)	U/W INSPECTION; SCALING TO 1/2" - 3/4" DEEP WITH LOOSE AGGREGATE X 360*.	3	1	5 Each

General Comments

Bent 17 Foundation Pile 3

Prestressed Concrete Footing Pile

Element Number	Element Name	Total Qty	CS1 Qty	CS2 Qty	CS3 Qty	CS4 Qty
226	Prestressed Concrete Pile	1	0	0	1	0 Each

Element Number	Defect Type	Defect Description	CS	CS Qty	Maint Qty
226	Cracking (PSC)	U/W INSPECTION, MULTIPLE H/L - 1/16" CRACKS, MULTIPLE FACES, GENERALLY THESE CRACKS ARE LOST IN THE SCALING AREA. SCALING 1/2" - 3/4" DEEP WITH LOOSE AGGREGATE X 360* FROM WATERLINE DOWN 5'.	3	1	5 Each

General Comments

Bent 17 Foundation Pile 4

Prestressed Concrete Footing Pile

Element Number	Element Name	Total Qty	CS1 Qty	CS2 Qty	CS3 Qty	CS4 Qty
226	Prestressed Concrete Pile	1	0	0	1	0 Each

Element Number	Defect Type	Defect Description	CS	CS Qty	Maint Qty
226	Cracking (PSC)	U/W INSPECTION, MULTIPLE H/L - 1/16" CRACKS, MULTIPLE FACES, GENERALLY THESE CRACKS ARE LOST IN THE SCALING AREA. SCALING 1/16-1/8" DEEP WITH LOOSE AGGREGATE X 360* FROM WATERLINE DOWN 5'.	3	1	5 Each

General Comments

Bent 17 Foundation Pile 5

Prestressed Concrete Footing Pile

Element Number	Element Name	Total Qty	CS1 Qty	CS2 Qty	CS3 Qty	CS4 Qty
226	Prestressed Concrete Pile	1	0	0	1	0 Each

Element Number	Defect Type	Defect Description	CS	CS Qty	Maint Qty
226	Cracking (PSC)	U/W INSPECTION; MULTIPLE H/L - 1/16" CRACKS, MULTIPLE FACES, GENERALLY THESE CRACKS ARE LOST IN THE SCALING AREA. SCALING 1/2" - 3/4" DEEP WITH LOOSE AGGREGATE X 360* FROM WATERLINE DOWN 5'.	3	1	5 Each

General Comments

Bent 17 Foundation Pile 6

Prestressed Concrete Footing Pile

Element Number	Element Name	Total Qty	CS1 Qty	CS2 Qty	CS3 Qty	CS4 Qty
226	Prestressed Concrete Pile	1	0	0	1	0 Each

Element Number	Defect Type	Defect Description	CS	CS Qty	Maint Qty
226	Cracking (PSC)	U/W INSPECTION, MULTIPLE H/L - 1/16" CRACKS, MULTIPLE FACES, GENERALLY THESE CRACKS ARE LOST IN THE SCALING AREA. SCALING 1/2" - 3/4" DEEP WITH LOOSE AGGREGATE X 360* FROM WATERLINE DOWN 5'.	3	1	5 Each

General Comments

Bent 17 Foundation Pile 7

Prestressed Concrete Footing Pile

Element Number	Element Name	Total Qty	CS1 Qty	CS2 Qty	CS3 Qty	CS4 Qty
226	Prestressed Concrete Pile	1	0	0	1	0 Each

Element Number	Defect Type	Defect Description	CS	CS Qty	Maint Qty
226	Cracking (PSC)	U/W INSPECTION, MULTIPLE 1/16-1/8" CRACKS, MULTIPLE FACES, GENERALLY THESE CRACKS ARE LOST IN THE SCALING AREA. SCALING 1/2" - 3/4" DEEP WITH LOOSE AGGREGATE X 360* FROM WATERLINE DOWN 5'.	3	1	5 Each

General Comments

Bent 17 Foundation Pile 8

Prestressed Concrete Footing Pile

Element Number	Element Name	Total Qty	CS1 Qty	CS2 Qty	CS3 Qty	CS4 Qty
226	Prestressed Concrete Pile	1	0	1	0	0 Each

Element Number	Defect Type	Defect Description	CS	CS Qty	Maint Qty
226	Abrasion/Wear (PSC/RC)	U/W INSPECTION; SCALING TO 1/8-1/4".	2	1	Each

General Comments

Bent 17 Foundation Pile 9

Prestressed Concrete Footing Pile

Element Number	Element Name	Total Qty	CS1 Qty	CS2 Qty	CS3 Qty	CS4 Qty
226	Prestressed Concrete Pile	1	0	0	1	0 Each

Element Number	Defect Type	Defect Description	CS	CS Qty	Maint Qty
226	Cracking (PSC)	U/W INSPECTION, F-5 HAS MULTIPLE H/L CRACKS, THESE CRACKS ARE LOST IN THE SCALING AREA. SCALING 1/2" - 3/4" DEEP WITH LOOSE AGGREGATE X 360* FROM WATERLINE DOWN 5'.	3	1	5 Each

General Comments

Bent 17 **Foundation Pile 10****Prestressed Concrete Footing Pile**

Element Number	Element Name	Total Qty	CS1 Qty	CS2 Qty	CS3 Qty	CS4 Qty
226	Prestressed Concrete Pile	1	0	0	1	0 Each

Element Number	Defect Type	Defect Description	CS	CS Qty	Maint Qty
226	Cracking (PSC)	U/W INSPECTION, MULTIPLE H/L - 1/16" CRACKS, MULTIPLE FACES, GENERALLY THESE CRACKS ARE LOST IN THE SCALING AREA. SCALING 1/2" - 3/4" DEEP WITH LOOSE AGGREGATE X 360* FROM WATERLINE DOWN 5'.	3	1	5 Each

General Comments

Bent 17 **Foundation Pile 11****Prestressed Concrete Footing Pile**

Element Number	Element Name	Total Qty	CS1 Qty	CS2 Qty	CS3 Qty	CS4 Qty
226	Prestressed Concrete Pile	1	0	0	1	0 Each

Element Number	Defect Type	Defect Description	CS	CS Qty	Maint Qty
226	Cracking (PSC)	U/W INSPECTION, F-1 HAS MULTIPLE H/L-1/16" CRACKS, THESE CRACKS ARE LOST IN THE SCALING AREA. SCALING 1/2" - 3/4" DEEP WITH LOOSE AGGREGATE X 360* FROM WATERLINE DOWN 5'.	3	1	5 Each

General Comments

Bent 17 **Foundation Pile 12****Prestressed Concrete Footing Pile**

Element Number	Element Name	Total Qty	CS1 Qty	CS2 Qty	CS3 Qty	CS4 Qty
226	Prestressed Concrete Pile	1	0	0	1	0 Each

Element Number	Defect Type	Defect Description	CS	CS Qty	Maint Qty
226	Cracking (PSC)	U/W INSPECTION, F-5 HAS MULTIPLE H/L CRACKS, THESE CRACKS ARE LOST IN THE SCALING AREA. SCALING 1/2" - 3/4" DEEP WITH LOOSE AGGREGATE X 360* FROM WATERLINE DOWN 5'.	3	1	5 Each

General Comments

Bent 17 **Foundation Pile 13****Prestressed Concrete Footing Pile**

Element Number	Element Name	Total Qty	CS1 Qty	CS2 Qty	CS3 Qty	CS4 Qty
226	Prestressed Concrete Pile	1	0	0	1	0 Each

Element Number	Defect Type	Defect Description	CS	CS Qty	Maint Qty
226	Cracking (PSC)	U/W INSPECTION, MULTIPLE H/L - 1/16" CRACKS, MULTIPLE FACES, GENERALLY THESE CRACKS ARE LOST IN THE SCALING AREA. SCALING 1/2" - 3/4" DEEP WITH LOOSE AGGREGATE X 360* FROM WATERLINE DOWN 5'.	3	1	5 Each

General Comments

Bent 17 **Foundation Pile 14****Prestressed Concrete Footing Pile**

Element Number	Element Name	Total Qty	CS1 Qty	CS2 Qty	CS3 Qty	CS4 Qty
226	Prestressed Concrete Pile	1	0	0	1	0 Each

Element Number	Defect Type	Defect Description	CS	CS Qty	Maint Qty
226	Cracking (PSC)	U/W INSPECTION, MULTIPLE H/L - 1/16" CRACKS, MULTIPLE FACES, GENERALLY THESE CRACKS ARE LOST IN THE SCALING AREA. SCALING 1/2" - 3/4" DEEP WITH LOOSE AGGREGATE X 360* FROM WATERLINE DOWN 5'.	3	1	5 Each

General Comments

Bent 17 **Foundation Pile 15****Prestressed Concrete Footing Pile**

Element Number	Element Name	Total Qty	CS1 Qty	CS2 Qty	CS3 Qty	CS4 Qty
226	Prestressed Concrete Pile	1	0	0	1	0 Each

Element Number	Defect Type	Defect Description	CS	CS Qty	Maint Qty
226	Cracking (PSC)	U/W INSPECTION, MULTIPLE H/L - 1/16" CRACKS, MULTIPLE FACES, GENERALLY THESE CRACKS ARE LOST IN THE SCALING AREA. SCALING 1/2" - 3/4" DEEP WITH LOOSE AGGREGATE X 360* FROM WATERLINE DOWN 5'.	3	1	5 Each

General Comments

Bent 17 **Foundation Pile 17****Prestressed Concrete Footing Pile**

Element Number	Element Name	Total Qty	CS1 Qty	CS2 Qty	CS3 Qty	CS4 Qty
226	Prestressed Concrete Pile	1	0	0	1	0 Each

Element Number	Defect Type	Defect Description	CS	CS Qty	Maint Qty
226	Abrasion/Wear (PSC/RC)	U/W INSPECTION; SCALING TO 1/2" - 3/4" DEEP WITH LOOSE AGGREGATE X 360* FROM WATERLINE DOWN 5'.	3	1	5 Each

General Comments

Bent 17 **Foundation Pile 18****Prestressed Concrete Footing Pile**

Element Number	Element Name	Total Qty	CS1 Qty	CS2 Qty	CS3 Qty	CS4 Qty
226	Prestressed Concrete Pile	1	0	0	1	0 Each

Element Number	Defect Type	Defect Description	CS	CS Qty	Maint Qty
226	Cracking (PSC)	U/W INSPECTION, MULTIPLE H/L - 1/16" CRACKS, MULTIPLE FACES, GENERALLY THESE CRACKS ARE LOST IN THE SCALING AREA. SCALING 1/2" - 3/4" DEEP WITH LOOSE AGGREGATE X 360* FROM WATERLINE DOWN 5'.	3	1	5 Each

General Comments

Bent 17 Foundation Pile 19

Prestressed Concrete Footing Pile

Element Number	Element Name	Total Qty	CS1 Qty	CS2 Qty	CS3 Qty	CS4 Qty
226	Prestressed Concrete Pile	1	0	0	1	0 Each

Element Number	Defect Type	Defect Description	CS	CS Qty	Maint Qty
226	Cracking (PSC)	U/W INSPECTION, F-1 HAS A 1/16-18" CRACK SPALLED TO 1/4", THIS CRACK GETS LOST IN THE SCALING AREA. SCALING 1/2" - 3/4" DEEP WITH LOOSE AGGREGATE X 360° FROM WATERLINE DOWN 5'.	3	1	5 Each

General Comments

Bent 17 Foundation Pile 20

Prestressed Concrete Footing Pile

Element Number	Element Name	Total Qty	CS1 Qty	CS2 Qty	CS3 Qty	CS4 Qty
226	Prestressed Concrete Pile	1	1	0	0	0 Each

Element Number	Defect Type	Defect Description	CS	CS Qty	Maint Qty
226	Cracking (PSC)	U/W INSPECTION; SCALING TO 1/2" - 3/4" DEEP WITH LOOSE AGGREGATE X 360° FROM WATERLINE DOWN 5'. PILE HAS BEEN JACKETED.	1	1	Each

General Comments

PILE HAS BEEN JACKETED.

Bent 17 Foundation Pile 21

Prestressed Concrete Footing Pile

Element Number	Element Name	Total Qty	CS1 Qty	CS2 Qty	CS3 Qty	CS4 Qty
226	Prestressed Concrete Pile	1	0	0	1	0 Each

Element Number	Defect Type	Defect Description	CS	CS Qty	Maint Qty
226	Cracking (PSC)	U/W INSPECTION, MULTIPLE H/L - 1/16" CRACKS, MULTIPLE FACES. F-1 & F-8 HAVE A 1/8" CRACK, GENERALLY THESE CRACKS ARE LOST IN THE SCALING AREA. SCALING 1/2" - 3/4" DEEP WITH LOOSE AGGREGATE X 360° FROM WATERLINE DOWN 5'.	3	1	5 Each

General Comments

Bent 18 Footing

Reinforced Concrete Footing

Element Number	Element Name	Total Qty	CS1 Qty	CS2 Qty	CS3 Qty	CS4 Qty
220	Reinforced Concrete Pile Cap/Footing	33	0	33	0	0 Feet

Element Number	Defect Type	Defect Description	CS	CS Qty	Maint Qty
220	Cracking (RC and Other)	on all faces, multiple vertical cracks [up to 1/32in x full height]	2	4	Feet
220	Cracking (RC and Other)	U/W INSPECTION; MULTIPLE RANDOM HAIRLINE CRACKS ON THE BOTTOM OF THE FOOTING.	2	29	Feet

General Comments

Bent 18 Cap 1**Reinforced Concrete Pier Cap**

Element Number	Element Name	Total Qty	CS1 Qty	CS2 Qty	CS3 Qty	CS4 Qty
234	Reinforced Concrete Pier Cap	29	15	14	0	0 Feet

Element Number	Defect Type	Defect Description	CS	CS Qty	Maint Qty
234	Cracking (RC and Other)	BENT 18 CAP HAS SCATTERED CRACKS.	2	10	Feet
234	Patched Area	BENT 18 CAP NORTH FACE UNDER BEAM 1. sound patch [32in x 43in]	2	4	Feet

General Comments

Bent 18 Foundation Pile 1**Prestressed Concrete Footing Pile**

Element Number	Element Name	Total Qty	CS1 Qty	CS2 Qty	CS3 Qty	CS4 Qty
226	Prestressed Concrete Pile	1	1	0	0	0 Each

Element Number	Defect Type	Defect Description	CS	CS Qty	Maint Qty
226	Abrasion/Wear (PSC/RC)	U/W INSPECTION; SCALING TO 1/2" - 3/4" DEEP WITH LOOSE AGGREGATE X 360° FROM WATERLINE DOWN 5'. PILE HAS BEEN JACKETED.	1	1	Each

General Comments

PILE HAS BEEN JACKETED.

Bent 18 Pile 2**Reinforced Concrete Column**

Element Number	Element Name	Total Qty	CS1 Qty	CS2 Qty	CS3 Qty	CS4 Qty
205	Reinforced Concrete Column	1	0	1	0	0 Each

Element Number	Defect Type	Defect Description	CS	CS Qty	Maint Qty
205	Delamination/Spall	BENT 18 PILE 2 SOUTHEAST CORNER NEAR STRUT. HAS A CRACK AND DELAMINATED AREA WITH SOME EFFLO VISIBLE. AREA ON SOUTH FACE IS: 5" x 41". AREA ON EAST FACE IS: 15" x 41".	2	1	4 Each

General Comments

Bent 18 Foundation Pile 2**Prestressed Concrete Footing Pile**

Element Number	Element Name	Total Qty	CS1 Qty	CS2 Qty	CS3 Qty	CS4 Qty
226	Prestressed Concrete Pile	1	1	0	0	0 Each

Element Number	Defect Type	Defect Description	CS	CS Qty	Maint Qty
226	Abrasion/Wear (PSC/RC)	U/W INSPECTION; SCALING TO 1/2" - 3/4" DEEP WITH LOOSE AGGREGATE X 360° FROM WATERLINE DOWN 5'. PILE HAS BEEN JACKETED.	1	1	Each

General Comments

PILE HAS BEEN JACKETED.

Bent 18 Foundation Pile 3

Prestressed Concrete Footing Pile

Element Number	Element Name	Total Qty	CS1 Qty	CS2 Qty	CS3 Qty	CS4 Qty	
226	Prestressed Concrete Pile	1	1	0	0	0	Each

Element Number	Defect Type	Defect Description	CS	CS Qty	Maint Qty	
226	Abrasion/Wear (PSC/RC)	U/W INSPECTION; SCALING TO 1/2" - 3/4" DEEP WITH LOOSE AGGREGATE X 360° FROM WATERLINE DOWN 5'. PILE HAS BEEN JACKETED.	1	1		Each

General Comments

PILE HAS BEEN JACKETED.

Bent 18 Foundation Pile 4

Prestressed Concrete Footing Pile

Element Number	Element Name	Total Qty	CS1 Qty	CS2 Qty	CS3 Qty	CS4 Qty	
226	Prestressed Concrete Pile	1	1	0	0	0	Each

Element Number	Defect Type	Defect Description	CS	CS Qty	Maint Qty	
226	Abrasion/Wear (PSC/RC)	U/W INSPECTION; SCALING TO 1/2" - 3/4" DEEP WITH LOOSE AGGREGATE X 360° FROM WATERLINE DOWN 5'. PILE HAS BEEN JACKETED.	1	1		Each

General Comments

PILE HAS BEEN JACKETED.

Bent 18 Foundation Pile 5

Prestressed Concrete Footing Pile

Element Number	Element Name	Total Qty	CS1 Qty	CS2 Qty	CS3 Qty	CS4 Qty	
226	Prestressed Concrete Pile	1	1	0	0	0	Each

Element Number	Defect Type	Defect Description	CS	CS Qty	Maint Qty	
226	Abrasion/Wear (PSC/RC)	U/W INSPECTION; SCALING TO 1/2" - 3/4" DEEP WITH LOOSE AGGREGATE X 360° FROM WATERLINE DOWN 5'. PILE HAS BEEN JACKETED.	1	1		Each

General Comments

PILE HAS BEEN JACKETED.

Bent 18 Foundation Pile 6

Prestressed Concrete Footing Pile

Element Number	Element Name	Total Qty	CS1 Qty	CS2 Qty	CS3 Qty	CS4 Qty	
226	Prestressed Concrete Pile	1	1	0	0	0	Each

Element Number	Defect Type	Defect Description	CS	CS Qty	Maint Qty	
226	Abrasion/Wear (PSC/RC)	U/W INSPECTION; SCALING TO 1/2" - 3/4" DEEP WITH LOOSE AGGREGATE X 360° FROM WATERLINE DOWN 5'. PILE HAS BEEN JACKETED.	1	1		Each

General Comments

PILE HAS BEEN JACKETED.

Bent 18 Foundation Pile 7**Prestressed Concrete Footing Pile**

Element Number	Element Name	Total Qty	CS1 Qty	CS2 Qty	CS3 Qty	CS4 Qty	
226	Prestressed Concrete Pile	1	1	0	0	0	Each

Element Number	Defect Type	Defect Description	CS	CS Qty	Maint Qty	
226	Abrasion/Wear (PSC/RC)	U/W INSPECTION; SCALING TO 1/2" - 3/4" DEEP WITH LOOSE AGGREGATE X 360* FROM WATERLINE DOWN 5'. PILE HAS BEEN JACKETED.	1	1		Each

General Comments

PILE HAS BEEN JACKETED.

Bent 18 Foundation Pile 8**Prestressed Concrete Footing Pile**

Element Number	Element Name	Total Qty	CS1 Qty	CS2 Qty	CS3 Qty	CS4 Qty	
226	Prestressed Concrete Pile	1	1	0	0	0	Each

Element Number	Defect Type	Defect Description	CS	CS Qty	Maint Qty	
226	Abrasion/Wear (PSC/RC)	U/W INSPECTION; SCALING TO 1/2" - 3/4" DEEP WITH LOOSE AGGREGATE X 360* FROM WATERLINE DOWN 5'. PILE HAS BEEN JACKETED.	1	1		Each

General Comments

PILE HAS BEEN JACKETED.

Bent 18 Foundation Pile 9**Prestressed Concrete Footing Pile**

Element Number	Element Name	Total Qty	CS1 Qty	CS2 Qty	CS3 Qty	CS4 Qty	
226	Prestressed Concrete Pile	1	1	0	0	0	Each

Element Number	Defect Type	Defect Description	CS	CS Qty	Maint Qty	
226	Abrasion/Wear (PSC/RC)	U/W INSPECTION; SCALING TO 1/2" - 3/4" DEEP WITH LOOSE AGGREGATE X 360* FROM WATERLINE DOWN 5'. PILE HAS BEEN JACKETED.	1	1		Each

General Comments

PILE HAS BEEN JACKETED.

Bent 18 Foundation Pile 10**Prestressed Concrete Footing Pile**

Element Number	Element Name	Total Qty	CS1 Qty	CS2 Qty	CS3 Qty	CS4 Qty	
226	Prestressed Concrete Pile	1	1	0	0	0	Each

Element Number	Defect Type	Defect Description	CS	CS Qty	Maint Qty	
226	Abrasion/Wear (PSC/RC)	U/W INSPECTION; SCALING TO 1/2" - 3/4" DEEP WITH LOOSE AGGREGATE X 360* FROM WATERLINE DOWN 5'. PILE HAS BEEN JACKETED.	1	1		Each

General Comments

PILE HAS BEEN JACKETED.

Bent 18 Foundation Pile 11
Prestressed Concrete Footing Pile

Element Number	Element Name	Total Qty	CS1 Qty	CS2 Qty	CS3 Qty	CS4 Qty
226	Prestressed Concrete Pile	1	1	0	0	0 Each

Element Number	Defect Type	Defect Description	CS	CS Qty	Maint Qty
226	Abrasion/Wear (PSC/RC)	U/W INSPECTION; SCALING TO 1/2" - 3/4" DEEP WITH LOOSE AGGREGATE X 360° FROM WATERLINE DOWN 5'. PILE HAS BEEN JACKETED.	1	1	Each

General Comments
 PILE HAS BEEN JACKETED.

Bent 18 Foundation Pile 12
Prestressed Concrete Footing Pile

Element Number	Element Name	Total Qty	CS1 Qty	CS2 Qty	CS3 Qty	CS4 Qty
226	Prestressed Concrete Pile	1	1	0	0	0 Each

Element Number	Defect Type	Defect Description	CS	CS Qty	Maint Qty
226	Abrasion/Wear (PSC/RC)	U/W INSPECTION; SCALING TO 1/2" - 3/4" DEEP WITH LOOSE AGGREGATE X 360° FROM WATERLINE DOWN 5'. PILE HAS BEEN JACKETED.	1	1	Each

General Comments
 PILE HAS BEEN JACKETED.

Bent 18 Foundation Pile 13
Prestressed Concrete Footing Pile

Element Number	Element Name	Total Qty	CS1 Qty	CS2 Qty	CS3 Qty	CS4 Qty
226	Prestressed Concrete Pile	1	1	0	0	0 Each

Element Number	Defect Type	Defect Description	CS	CS Qty	Maint Qty
226	Abrasion/Wear (PSC/RC)	U/W INSPECTION; SCALING TO 1/2" - 3/4" DEEP WITH LOOSE AGGREGATE X 360° FROM WATERLINE DOWN 5'. PILE HAS BEEN JACKETED.	1	1	Each

General Comments
 PILE HAS BEEN JACKETED.

Bent 18 Foundation Pile 14
Prestressed Concrete Footing Pile

Element Number	Element Name	Total Qty	CS1 Qty	CS2 Qty	CS3 Qty	CS4 Qty
226	Prestressed Concrete Pile	1	1	0	0	0 Each

Element Number	Defect Type	Defect Description	CS	CS Qty	Maint Qty
226	Abrasion/Wear (PSC/RC)	U/W INSPECTION; SCALING TO 1/2" - 3/4" DEEP WITH LOOSE AGGREGATE X 360° FROM WATERLINE DOWN 5'. PILE HAS BEEN JACKETED.	1	1	Each

General Comments
 PILE HAS BEEN JACKETED.

Bent 18 Foundation Pile 15

Prestressed Concrete Footing Pile

Element Number	Element Name	Total Qty	CS1 Qty	CS2 Qty	CS3 Qty	CS4 Qty	
226	Prestressed Concrete Pile	1	1	0	0	0	Each

Element Number	Defect Type	Defect Description	CS	CS Qty	Maint Qty	
226	Abrasion/Wear (PSC/RC)	U/W INSPECTION; SCALING TO 1/2" - 3/4" DEEP WITH LOOSE AGGREGATE X 360* FROM WATERLINE DOWN 5'. PILE HAS BEEN JACKETED.	1	1		Each

General Comments

PILE HAS BEEN JACKETED.

Bent 18 Foundation Pile 16

Prestressed Concrete Footing Pile

Element Number	Element Name	Total Qty	CS1 Qty	CS2 Qty	CS3 Qty	CS4 Qty	
226	Prestressed Concrete Pile	1	1	0	0	0	Each

Element Number	Defect Type	Defect Description	CS	CS Qty	Maint Qty	
226	Abrasion/Wear (PSC/RC)	U/W INSPECTION; SCALING TO 1/2" - 3/4" DEEP WITH LOOSE AGGREGATE X 360* FROM WATERLINE DOWN 5'. PILE HAS BEEN JACKETED.	1	1		Each

General Comments

PILE HAS BEEN JACKETED.

Bent 18 Foundation Pile 17

Prestressed Concrete Footing Pile

Element Number	Element Name	Total Qty	CS1 Qty	CS2 Qty	CS3 Qty	CS4 Qty	
226	Prestressed Concrete Pile	1	1	0	0	0	Each

Element Number	Defect Type	Defect Description	CS	CS Qty	Maint Qty	
226	Abrasion/Wear (PSC/RC)	U/W INSPECTION; SCALING TO 1/2" - 3/4" DEEP WITH LOOSE AGGREGATE X 360* FROM WATERLINE DOWN 5'. PILE HAS BEEN JACKETED.	1	1		Each

General Comments

PILE HAS BEEN JACKETED.

Bent 18 Foundation Pile 18

Prestressed Concrete Footing Pile

Element Number	Element Name	Total Qty	CS1 Qty	CS2 Qty	CS3 Qty	CS4 Qty	
226	Prestressed Concrete Pile	1	1	0	0	0	Each

Element Number	Defect Type	Defect Description	CS	CS Qty	Maint Qty	
226	Abrasion/Wear (PSC/RC)	U/W INSPECTION; SCALING TO 1/2" - 3/4" DEEP WITH LOOSE AGGREGATE X 360* FROM WATERLINE DOWN 5'. PILE HAS BEEN JACKETED.	1	1		Each

General Comments

PILE HAS BEEN JACKETED.

Bent 18 Foundation Pile 19**Prestressed Concrete Footing Pile**

Element Number	Element Name	Total Qty	CS1 Qty	CS2 Qty	CS3 Qty	CS4 Qty	
226	Prestressed Concrete Pile	1	1	0	0	0	Each

Element Number	Defect Type	Defect Description	CS	CS Qty	Maint Qty	
226	Abrasion/Wear (PSC/RC)	U/W INSPECTION; SCALING TO 1/2" - 3/4" DEEP WITH LOOSE AGGREGATE X 360* FROM WATERLINE DOWN 5'. PILE HAS BEEN JACKETED.	1	1		Each

General Comments

PILE HAS BEEN JACKETED.

Bent 18 Foundation Pile 20**Prestressed Concrete Footing Pile**

Element Number	Element Name	Total Qty	CS1 Qty	CS2 Qty	CS3 Qty	CS4 Qty	
226	Prestressed Concrete Pile	1	1	0	0	0	Each

Element Number	Defect Type	Defect Description	CS	CS Qty	Maint Qty	
226	Abrasion/Wear (PSC/RC)	U/W INSPECTION; SCALING TO 1/2" - 3/4" DEEP WITH LOOSE AGGREGATE X 360* FROM WATERLINE DOWN 5'. PILE HAS BEEN JACKETED.	1	1		Each

General Comments

PILE HAS BEEN JACKETED.

Bent 18 Foundation Pile 21**Prestressed Concrete Footing Pile**

Element Number	Element Name	Total Qty	CS1 Qty	CS2 Qty	CS3 Qty	CS4 Qty	
226	Prestressed Concrete Pile	1	1	0	0	0	Each

Element Number	Defect Type	Defect Description	CS	CS Qty	Maint Qty	
226	Abrasion/Wear (PSC/RC)	U/W INSPECTION; SCALING TO 1/2" - 3/4" DEEP WITH LOOSE AGGREGATE X 360* FROM WATERLINE DOWN 5'. PILE HAS BEEN JACKETED.	1	1		Each

General Comments

PILE HAS BEEN JACKETED.

Bent 19 Footing**Reinforced Concrete Footing**

Element Number	Element Name	Total Qty	CS1 Qty	CS2 Qty	CS3 Qty	CS4 Qty	
220	Reinforced Concrete Pile Cap/Footing	33	0	33	0	0	Feet

Element Number	Defect Type	Defect Description	CS	CS Qty	Maint Qty	
220	Cracking (RC and Other)	BENT 19 FOOTING HAS SCATTERED CRACKS.	2	12		Feet
220	Cracking (RC and Other)	U/W INSPECTION; MULTIPLE RANDOM HAIRLINE CRACKS ON THE BOTTOM OF THE FOOTING.	2	21		Feet

General Comments

Bent 19 Cap 1**Reinforced Concrete Pier Cap**

Element Number	Element Name	Total Qty	CS1 Qty	CS2 Qty	CS3 Qty	CS4 Qty
234	Reinforced Concrete Pier Cap	29	9	20	0	0 Feet

Element Number	Defect Type	Defect Description	CS	CS Qty	Maint Qty
234	Patched Area	BENT 19 CAP NORTH FACE. HAS 2 PATCHED AREAS THAT ARE SOUND.	2	10	Feet
234	Patched Area	BENT 19 CAP SOUTH FACE HAS PATCHED AREAS WITH SOME HAIRLINE CRACKS. PATCHES ARE SOUND.	2	10	Feet

General Comments

Bent 19 Pile 1**Reinforced Concrete Column**

Element Number	Element Name	Total Qty	CS1 Qty	CS2 Qty	CS3 Qty	CS4 Qty
205	Reinforced Concrete Column	1	0	1	0	0 Each

Element Number	Defect Type	Defect Description	CS	CS Qty	Maint Qty
205	Delamination/Spall	BENT 19 PILE 1 SOUTHEAST CORNER HAS A CRACK AND DELAMINATED AREA. LOCATED 38" FROM BOTTOM OF CAP. AREA ON SOUTH FACE IS: 7" x 40". AREA ON EAST FACE IS: 30" x 42"	2	1	4 Each
205	Delamination/Spall	BENT 19 PILE 1 SOUTHWEST CORNER HAS A CRACK AND DELAMINATED AREA WITH SOME EFFLO VISIBLE. AREA ON WEST FACE IS: 8" x 72". AREA ON SOUTH FACE IS: 32" x 72". THIS AREA IS LOCATED NEAR STRUT.	2		6 Each

General Comments

Bent 19 Foundation Pile 1**Prestressed Concrete Footing Pile**

Element Number	Element Name	Total Qty	CS1 Qty	CS2 Qty	CS3 Qty	CS4 Qty
226	Prestressed Concrete Pile	1	0	0	1	0 Each

Element Number	Defect Type	Defect Description	CS	CS Qty	Maint Qty
226	Cracking (PSC)	U/W INSPECTION, MULTIPLE H/L CRACKS, MULTIPLE FACES, GENERALLY THESE CRACKS ARE LOST IN THE SCALING AREA. SCALING TO 1/4" FROM WATERLINE DOWN 3'.	3	1	3 Each

General Comments

Bent 19 Foundation Pile 2**Prestressed Concrete Footing Pile**

Element Number	Element Name	Total Qty	CS1 Qty	CS2 Qty	CS3 Qty	CS4 Qty
226	Prestressed Concrete Pile	1	0	0	1	0 Each

Element Number	Defect Type	Defect Description	CS	CS Qty	Maint Qty
226	Cracking (PSC)	U/W INSPECTION, MULTIPLE H/L CRACKS, MULTIPLE FACES, GENERALLY THESE CRACKS ARE LOST IN THE SCALING AREA. SCALING TO 1/4" FROM WATERLINE DOWN 3'.	3	1	3 Each

General Comments

Bent 19 Foundation Pile 3**Prestressed Concrete Footing Pile**

Element Number	Element Name	Total Qty	CS1 Qty	CS2 Qty	CS3 Qty	CS4 Qty	
226	Prestressed Concrete Pile	1	0	0	1	0	Each

Element Number	Defect Type	Defect Description	CS	CS Qty	Maint Qty	
226	Cracking (PSC)	U/W INSPECTION, MULTIPLE H/L CRACKS, MULTIPLE FACES, GENERALLY THESE CRACKS ARE LOST IN THE SCALING AREA. SCALING TO 1/4" FROM WATERLINE DOWN 3'.	3	1	3	Each

General Comments

Bent 19 Foundation Pile 4**Prestressed Concrete Footing Pile**

Element Number	Element Name	Total Qty	CS1 Qty	CS2 Qty	CS3 Qty	CS4 Qty	
226	Prestressed Concrete Pile	1	0	0	1	0	Each

Element Number	Defect Type	Defect Description	CS	CS Qty	Maint Qty	
226	Cracking (PSC)	U/W INSPECTION, MULTIPLE H/L CRACKS, MULTIPLE FACES, GENERALLY THESE CRACKS ARE LOST IN THE SCALING AREA. SCALING TO 1/4" FROM WATERLINE DOWN 3'.	3	1	3	Each

General Comments

Bent 19 Foundation Pile 5**Prestressed Concrete Footing Pile**

Element Number	Element Name	Total Qty	CS1 Qty	CS2 Qty	CS3 Qty	CS4 Qty	
226	Prestressed Concrete Pile	1	0	0	1	0	Each

Element Number	Defect Type	Defect Description	CS	CS Qty	Maint Qty	
226	Cracking (PSC)	U/W INSPECTION, MULTIPLE H/L CRACKS, MULTIPLE FACES, GENERALLY THESE CRACKS ARE LOST IN THE SCALING AREA. SCALING TO 1/4" FROM WATERLINE DOWN 3'.	3	1	3	Each

General Comments

Bent 19 Foundation Pile 6**Prestressed Concrete Footing Pile**

Element Number	Element Name	Total Qty	CS1 Qty	CS2 Qty	CS3 Qty	CS4 Qty	
226	Prestressed Concrete Pile	1	1	0	0	0	Each

Element Number	Defect Type	Defect Description	CS	CS Qty	Maint Qty	
226	Abrasion/Wear (PSC/RC)	U/W INSPECTION; SCALING TO 1/2" - 3/4" DEEP WITH LOOSE AGGREGATE X 360° FROM WATERLINE DOWN 3'. PILE HAS BEEN JACKETED.	1	1		Each

General Comments

PILE HAS BEEN JACKETED.

Bent 19 Foundation Pile 7

Prestressed Concrete Footing Pile

Element Number	Element Name	Total Qty	CS1 Qty	CS2 Qty	CS3 Qty	CS4 Qty	
226	Prestressed Concrete Pile	1	1	0	0	0	Each

Element Number	Defect Type	Defect Description	CS	CS Qty	Maint Qty	
226	Abrasion/Wear (PSC/RC)	U/W INSPECTION; SCALING TO 1/2" - 3/4" DEEP WITH LOOSE AGGREGATE X 360" FROM WATERLINE DOWN 3'. PILE HAS BEEN JACKETED.	1	1		Each

General Comments

PILE HAS BEEN JACKETED.

Bent 19 Foundation Pile 8

Prestressed Concrete Footing Pile

Element Number	Element Name	Total Qty	CS1 Qty	CS2 Qty	CS3 Qty	CS4 Qty	
226	Prestressed Concrete Pile	1	0	0	1	0	Each

Element Number	Defect Type	Defect Description	CS	CS Qty	Maint Qty	
226	Cracking (PSC)	U/W INSPECTION, MULTIPLE H/L CRACKS, MULTIPLE FACES, GENERALLY THESE CRACKS ARE LOST IN THE SCALING AREA. SCALING TO 1/4" FROM WATERLINE DOWN 3'.	3	1	3	Each

General Comments

Bent 19 Foundation Pile 9

Prestressed Concrete Footing Pile

Element Number	Element Name	Total Qty	CS1 Qty	CS2 Qty	CS3 Qty	CS4 Qty	
226	Prestressed Concrete Pile	1	0	0	1	0	Each

Element Number	Defect Type	Defect Description	CS	CS Qty	Maint Qty	
226	Cracking (PSC)	U/W INSPECTION, MULTIPLE H/L CRACKS, MULTIPLE FACES, GENERALLY THESE CRACKS ARE LOST IN THE SCALING AREA. SCALING TO 1/4" FROM WATERLINE DOWN 3'.	3	1	3	Each

General Comments

Bent 19 Foundation Pile 10

Prestressed Concrete Footing Pile

Element Number	Element Name	Total Qty	CS1 Qty	CS2 Qty	CS3 Qty	CS4 Qty	
226	Prestressed Concrete Pile	1	0	0	1	0	Each

Element Number	Defect Type	Defect Description	CS	CS Qty	Maint Qty	
226	Cracking (PSC)	U/W INSPECTION, MULTIPLE H/L CRACKS, MULTIPLE FACES, GENERALLY THESE CRACKS ARE LOST IN THE SCALING AREA. SCALING TO 1/4" FROM WATERLINE DOWN 3'.	3	1	3	Each

General Comments

Bent 19 Foundation Pile 11

Prestressed Concrete Footing Pile

Element Number	Element Name	Total Qty	CS1 Qty	CS2 Qty	CS3 Qty	CS4 Qty
226	Prestressed Concrete Pile	1	0	0	1	0 Each

Element Number	Defect Type	Defect Description	CS	CS Qty	Maint Qty
226	Cracking (PSC)	U/W INSPECTION, MULTIPLE H/L - 1/16" CRACKS, MULTIPLE FACES, GENERALLY THESE CRACKS ARE LOST IN THE SCALING AREA. SCALING TO 1/4" FROM WATERLINE DOWN 3'.	3	1	3 Each

General Comments

Bent 19 Foundation Pile 12

Prestressed Concrete Footing Pile

Element Number	Element Name	Total Qty	CS1 Qty	CS2 Qty	CS3 Qty	CS4 Qty
226	Prestressed Concrete Pile	1	0	0	1	0 Each

Element Number	Defect Type	Defect Description	CS	CS Qty	Maint Qty
226	Cracking (PSC)	U/W INSPECTION, MULTIPLE H/L - 1/16" CRACKS, MULTIPLE FACES, GENERALLY THESE CRACKS ARE LOST IN THE SCALING AREA. SCALING TO 1/4" FROM WATERLINE DOWN 3'.	3	1	3 Each

General Comments

Bent 20 Footing

Reinforced Concrete Footing

Element Number	Element Name	Total Qty	CS1 Qty	CS2 Qty	CS3 Qty	CS4 Qty
220	Reinforced Concrete Pile Cap/Footing	32	0	32	0	0 Feet

Element Number	Defect Type	Defect Description	CS	CS Qty	Maint Qty
220	Cracking (RC and Other)	BENT 20 FOOTING HAS SCATTERED CRACKS.	2	16	Feet
220	Cracking (RC and Other)	U/W INSPECTION; MULTIPLE RANDOM HAIRLINE CRACKS ON THE BOTTOM OF THE FOOTING.	2	16	Feet

General Comments

Bent 20 Cap 1

Reinforced Concrete Pier Cap

Element Number	Element Name	Total Qty	CS1 Qty	CS2 Qty	CS3 Qty	CS4 Qty
234	Reinforced Concrete Pier Cap	29	16	8	5	0 Feet

Element Number	Defect Type	Defect Description	CS	CS Qty	Maint Qty
234	Delamination/Spall	BENT 20 CAP BOTTOM AND SOUTH FACE AT PILE 2. HAS A SPALLED AREA WITH REBAR VISIBLE. AREA IS: FROM BOTTOM EDGE BACK 5", FROM BOTTOM EDGE UP 7" x 60".	3	5	5 Feet
234	Patched Area	BENT 20 CAP HAS SCATTERED PATCHED AREAS WITH SOME HAIRLINE CRACKS. PATCHES ARE SOUND.	2	8	Feet

General Comments

Bent 20 **Foundation Pile 1****Prestressed Concrete Footing Pile**

Element Number	Element Name	Total Qty	CS1 Qty	CS2 Qty	CS3 Qty	CS4 Qty
226	Prestressed Concrete Pile	1	0	0	1	0 Each

Element Number	Defect Type	Defect Description	CS	CS Qty	Maint Qty
226	Cracking (PSC)	U/W INSPECTION, MULTIPLE H/L CRACKS, MULTIPLE FACES, GENERALLY THESE CRACKS ARE LOST IN THE SCALING AREA. SCALING TO 1/4" FROM WATERLINE DOWN 3'.	3	1	3 Each

General Comments

Bent 20 **Foundation Pile 2****Prestressed Concrete Footing Pile**

Element Number	Element Name	Total Qty	CS1 Qty	CS2 Qty	CS3 Qty	CS4 Qty
226	Prestressed Concrete Pile	1	0	0	1	0 Each

Element Number	Defect Type	Defect Description	CS	CS Qty	Maint Qty
226	Cracking (PSC)	U/W INSPECTION, MULTIPLE H/L CRACKS, MULTIPLE FACES, GENERALLY THESE CRACKS ARE LOST IN THE SCALING AREA. SCALING TO 1/4" FROM WATERLINE DOWN 3'.	3	1	3 Each

General Comments

Bent 20 **Foundation Pile 3****Prestressed Concrete Footing Pile**

Element Number	Element Name	Total Qty	CS1 Qty	CS2 Qty	CS3 Qty	CS4 Qty
226	Prestressed Concrete Pile	1	0	0	1	0 Each

Element Number	Defect Type	Defect Description	CS	CS Qty	Maint Qty
226	Cracking (PSC)	U/W INSPECTION, MULTIPLE H/L CRACKS, MULTIPLE FACES, GENERALLY THESE CRACKS ARE LOST IN THE SCALING AREA. SCALING TO 1/4" FROM WATERLINE DOWN 3'.	3	1	3 Each

General Comments

Bent 20 **Foundation Pile 4****Prestressed Concrete Footing Pile**

Element Number	Element Name	Total Qty	CS1 Qty	CS2 Qty	CS3 Qty	CS4 Qty
226	Prestressed Concrete Pile	1	0	0	1	0 Each

Element Number	Defect Type	Defect Description	CS	CS Qty	Maint Qty
226	Cracking (PSC)	U/W INSPECTION, MULTIPLE H/L CRACKS, MULTIPLE FACES, GENERALLY THESE CRACKS ARE LOST IN THE SCALING AREA. SCALING TO 1/4" FROM WATERLINE DOWN 3'.	3	1	3 Each

General Comments

Bent 20 Foundation Pile 5
Prestressed Concrete Footing Pile

Element Number	Element Name	Total Qty	CS1 Qty	CS2 Qty	CS3 Qty	CS4 Qty
226	Prestressed Concrete Pile	1	0	0	1	0 Each

Element Number	Defect Type	Defect Description	CS	CS Qty	Maint Qty
226	Cracking (PSC)	U/W INSPECTION, MULTIPLE H/L - 1/16" CRACKS, MULTIPLE FACES, GENERALLY THESE CRACKS ARE LOST IN THE SCALING AREA. SCALING TO 1/4" FROM WATERLINE DOWN 3'.	3	1	3 Each

General Comments

Bent 20 Foundation Pile 6
Prestressed Concrete Footing Pile

Element Number	Element Name	Total Qty	CS1 Qty	CS2 Qty	CS3 Qty	CS4 Qty
226	Prestressed Concrete Pile	1	0	0	1	0 Each

Element Number	Defect Type	Defect Description	CS	CS Qty	Maint Qty
226	Cracking (PSC)	U/W INSPECTION, MULTIPLE H/L CRACKS, MULTIPLE FACES, GENERALLY THESE CRACKS ARE LOST IN THE SCALING AREA. SCALING TO 1/4" FROM WATERLINE DOWN 3'.	3	1	3 Each

General Comments

Bent 20 Foundation Pile 7
Prestressed Concrete Footing Pile

Element Number	Element Name	Total Qty	CS1 Qty	CS2 Qty	CS3 Qty	CS4 Qty
226	Prestressed Concrete Pile	1	0	0	1	0 Each

Element Number	Defect Type	Defect Description	CS	CS Qty	Maint Qty
226	Cracking (PSC)	U/W INSPECTION, MULTIPLE H/L CRACKS, MULTIPLE FACES, GENERALLY THESE CRACKS ARE LOST IN THE SCALING AREA. SCALING TO 1/4" FROM WATERLINE DOWN 3'.	3	1	3 Each

General Comments

Bent 20 Foundation Pile 8
Prestressed Concrete Footing Pile

Element Number	Element Name	Total Qty	CS1 Qty	CS2 Qty	CS3 Qty	CS4 Qty
226	Prestressed Concrete Pile	1	0	0	1	0 Each

Element Number	Defect Type	Defect Description	CS	CS Qty	Maint Qty
226	Cracking (PSC)	U/W INSPECTION, MULTIPLE H/L CRACKS, MULTIPLE FACES, GENERALLY THESE CRACKS ARE LOST IN THE SCALING AREA. SCALING TO 1/4" FROM WATERLINE DOWN 3'.	3	1	3 Each

General Comments

Bent 20 Foundation Pile 9

Prestressed Concrete Footing Pile

Element Number	Element Name	Total Qty	CS1 Qty	CS2 Qty	CS3 Qty	CS4 Qty
226	Prestressed Concrete Pile	1	0	0	1	0 Each

Element Number	Defect Type	Defect Description	CS	CS Qty	Maint Qty
226	Cracking (PSC)	U/W INSPECTION, MULTIPLE H/L CRACKS, MULTIPLE FACES, GENERALLY THESE CRACKS ARE LOST IN THE SCALING AREA. SCALING TO 1/4" FROM WATERLINE DOWN 3'.	3	1	3 Each

General Comments

Bent 20 Foundation Pile 10

Prestressed Concrete Footing Pile

Element Number	Element Name	Total Qty	CS1 Qty	CS2 Qty	CS3 Qty	CS4 Qty
226	Prestressed Concrete Pile	1	0	0	1	0 Each

Element Number	Defect Type	Defect Description	CS	CS Qty	Maint Qty
226	Cracking (PSC)	U/W INSPECTION, MULTIPLE H/L CRACKS, MULTIPLE FACES, GENERALLY THESE CRACKS ARE LOST IN THE SCALING AREA. SCALING TO 1/4" FROM WATERLINE DOWN 3'.	3	1	3 Each

General Comments

Bent 20 Foundation Pile 11

Prestressed Concrete Footing Pile

Element Number	Element Name	Total Qty	CS1 Qty	CS2 Qty	CS3 Qty	CS4 Qty
226	Prestressed Concrete Pile	1	0	0	1	0 Each

Element Number	Defect Type	Defect Description	CS	CS Qty	Maint Qty
226	Cracking (PSC)	U/W INSPECTION, MULTIPLE H/L CRACKS, MULTIPLE FACES, GENERALLY THESE CRACKS ARE LOST IN THE SCALING AREA. SCALING TO 1/4" FROM WATERLINE DOWN 3'.	3	1	3 Each

General Comments

Bent 20 Foundation Pile 12

Prestressed Concrete Footing Pile

Element Number	Element Name	Total Qty	CS1 Qty	CS2 Qty	CS3 Qty	CS4 Qty
226	Prestressed Concrete Pile	1	0	0	1	0 Each

Element Number	Defect Type	Defect Description	CS	CS Qty	Maint Qty
226	Cracking (PSC)	U/W INSPECTION, MULTIPLE H/L 1/16" CRACKS, MULTIPLE FACES, GENERALLY THESE CRACKS ARE LOST IN THE SCALING AREA. SCALING TO 1/4" FROM WATERLINE DOWN 3'.	3	1	3 Each

General Comments

Bent 21 Footing**Reinforced Concrete Footing**

Element Number	Element Name	Total Qty	CS1 Qty	CS2 Qty	CS3 Qty	CS4 Qty	
220	Reinforced Concrete Pile Cap/Footing	32	0	32	0	0	Feet

Element Number	Defect Type	Defect Description	CS	CS Qty	Maint Qty	
220	Cracking (RC and Other)	U/W INSPECTION; MULTIPLE RANDOM HAIRLINE CRACKS ON THE BOTTOM OF THE FOOTING.	2	16		Feet
220	Patched Area	at Northeast corner, sound patch [3ft x 1ft]	2	16		Feet

General Comments

Bent 21 Cap 1**Reinforced Concrete Pier Cap**

Element Number	Element Name	Total Qty	CS1 Qty	CS2 Qty	CS3 Qty	CS4 Qty	
234	Reinforced Concrete Pier Cap	29	8	21	0	0	Feet

Element Number	Defect Type	Defect Description	CS	CS Qty	Maint Qty	
234	Cracking (RC and Other)	BENT 21 CAP HAS SCATTERED CRACKS.	2	14		Feet
234	Patched Area	BENT 21 CAP SOUTH FACE BAY 3. sound patch [7in x 12in]	2	3		Feet
234	Patched Area	BENT 21 CAP TOP AND NORTH FACE AT BEAM 4. sound patch [16in x 29in]	2	1		Feet
234	Patched Area	BENT 21 CAP TOP AND NORTH FACE BAY 3. sound patch [24in x 32in]	2	3		Feet

General Comments

Bent 21 Foundation Pile 1**Prestressed Concrete Footing Pile**

Element Number	Element Name	Total Qty	CS1 Qty	CS2 Qty	CS3 Qty	CS4 Qty	
226	Prestressed Concrete Pile	1	1	0	0	0	Each

Element Number	Defect Type	Defect Description	CS	CS Qty	Maint Qty	
226	Abrasion/Wear (PSC/RC)	U/W INSPECTION; SCALING TO 1/2" - 3/4" DEEP WITH LOOSE AGGREGATE X 360° FROM WATERLINE DOWN 3'. PILE HAS BEEN JACKETED.	1	1		Each

General Comments

PILE HAS BEEN JACKETED.

Bent 21 Pile 2**Reinforced Concrete Column**

Element Number	Element Name	Total Qty	CS1 Qty	CS2 Qty	CS3 Qty	CS4 Qty	
205	Reinforced Concrete Column	1	0	1	0	0	Each

Element Number	Defect Type	Defect Description	CS	CS Qty	Maint Qty	
205	Cracking (RC and Other)	BENT 21 PILE 2 HAS SCATTERED CRACKS WITH SOME HONEYCOMBING.	2	1		Each

General Comments

Bent 21 Foundation Pile 2

Prestressed Concrete Footing Pile

Element Number	Element Name	Total Qty	CS1 Qty	CS2 Qty	CS3 Qty	CS4 Qty
226	Prestressed Concrete Pile	1	0	0	1	0 Each

Element Number	Defect Type	Defect Description	CS	CS Qty	Maint Qty
226	Cracking (PSC)	U/W INSPECTION, MULTIPLE H/L CRACKS, MULTIPLE FACES, GENERALLY THESE CRACKS ARE LOST IN THE SCALING AREA. SCALING TO 1/4" FROM WATERLINE DOWN 3'.	3	1	3 Each

General Comments

Bent 21 Foundation Pile 3

Prestressed Concrete Footing Pile

Element Number	Element Name	Total Qty	CS1 Qty	CS2 Qty	CS3 Qty	CS4 Qty
226	Prestressed Concrete Pile	1	0	0	1	0 Each

Element Number	Defect Type	Defect Description	CS	CS Qty	Maint Qty
226	Cracking (PSC)	U/W INSPECTION, MULTIPLE H/L CRACKS, MULTIPLE FACES, GENERALLY THESE CRACKS ARE LOST IN THE SCALING AREA. SCALING TO 1/4" FROM WATERLINE DOWN 3'.	3	1	3 Each

General Comments

Bent 21 Foundation Pile 4

Prestressed Concrete Footing Pile

Element Number	Element Name	Total Qty	CS1 Qty	CS2 Qty	CS3 Qty	CS4 Qty
226	Prestressed Concrete Pile	1	0	0	1	0 Each

Element Number	Defect Type	Defect Description	CS	CS Qty	Maint Qty
226	Cracking (PSC)	U/W INSPECTION, MULTIPLE H/L CRACKS, MULTIPLE FACES, GENERALLY THESE CRACKS ARE LOST IN THE SCALING AREA. SCALING TO 1/4" FROM WATERLINE DOWN 3'.	3	1	3 Each

General Comments

Bent 21 Foundation Pile 5

Prestressed Concrete Footing Pile

Element Number	Element Name	Total Qty	CS1 Qty	CS2 Qty	CS3 Qty	CS4 Qty
226	Prestressed Concrete Pile	1	0	0	1	0 Each

Element Number	Defect Type	Defect Description	CS	CS Qty	Maint Qty
226	Cracking (PSC)	U/W INSPECTION, MULTIPLE H/L CRACKS, MULTIPLE FACES, GENERALLY THESE CRACKS ARE LOST IN THE SCALING AREA. SCALING TO 1/4" FROM WATERLINE DOWN 3'.	3	1	3 Each

General Comments

Bent 21 Foundation Pile 6

Prestressed Concrete Footing Pile

Element Number	Element Name	Total Qty	CS1 Qty	CS2 Qty	CS3 Qty	CS4 Qty	
226	Prestressed Concrete Pile	1	0	1	0	0	Each

Element Number	Defect Type	Defect Description	CS	CS Qty	Maint Qty	
226	Abrasion/Wear (PSC/RC)	U/W INSPECTION; SCALING TO 1/8-1/4".	2	1		Each

General Comments

Bent 21 Foundation Pile 7

Prestressed Concrete Footing Pile

Element Number	Element Name	Total Qty	CS1 Qty	CS2 Qty	CS3 Qty	CS4 Qty	
226	Prestressed Concrete Pile	1	0	1	0	0	Each

Element Number	Defect Type	Defect Description	CS	CS Qty	Maint Qty	
226	Abrasion/Wear (PSC/RC)	U/W INSPECTION; SCALING TO 1/8-1/4".	2	1		Each

General Comments

Bent 21 Foundation Pile 8

Prestressed Concrete Footing Pile

Element Number	Element Name	Total Qty	CS1 Qty	CS2 Qty	CS3 Qty	CS4 Qty	
226	Prestressed Concrete Pile	1	0	1	0	0	Each

Element Number	Defect Type	Defect Description	CS	CS Qty	Maint Qty	
226	Abrasion/Wear (PSC/RC)	U/W INSPECTION; SCALING TO 1/8-1/4".	2	1		Each

General Comments

Bent 21 Foundation Pile 9

Prestressed Concrete Footing Pile

Element Number	Element Name	Total Qty	CS1 Qty	CS2 Qty	CS3 Qty	CS4 Qty	
226	Prestressed Concrete Pile	1	0	0	1	0	Each

Element Number	Defect Type	Defect Description	CS	CS Qty	Maint Qty	
226	Cracking (PSC)	U/W INSPECTION, MULTIPLE H/L - 1/16" CRACKS, MULTIPLE FACES, GENERALLY THESE CRACKS ARE LOST IN THE SCALING AREA. SCALING TO 1/4" FROM WATERLINE DOWN 3'.	3	1	3	Each

General Comments

Bent 21 **Foundation Pile 10****Prestressed Concrete Footing Pile**

Element Number	Element Name	Total Qty	CS1 Qty	CS2 Qty	CS3 Qty	CS4 Qty	
226	Prestressed Concrete Pile	1	0	0	1	0	Each

Element Number	Defect Type	Defect Description	CS	CS Qty	Maint Qty	
226	Cracking (PSC)	U/W INSPECTION, MULTIPLE H/L CRACKS, MULTIPLE FACES, GENERALLY THESE CRACKS ARE LOST IN THE SCALING AREA. SCALING TO 1/4" FROM WATERLINE DOWN 3'.	3	1	3	Each

General Comments

Bent 21 **Foundation Pile 11****Prestressed Concrete Footing Pile**

Element Number	Element Name	Total Qty	CS1 Qty	CS2 Qty	CS3 Qty	CS4 Qty	
226	Prestressed Concrete Pile	1	0	0	1	0	Each

Element Number	Defect Type	Defect Description	CS	CS Qty	Maint Qty	
226	Cracking (PSC)	U/W INSPECTION, MULTIPLE H/L CRACKS, MULTIPLE FACES, GENERALLY THESE CRACKS ARE LOST IN THE SCALING AREA. SCALING TO 1/4" FROM WATERLINE DOWN 3'.	3	1	3	Each

General Comments

Bent 21 **Foundation Pile 12****Prestressed Concrete Footing Pile**

Element Number	Element Name	Total Qty	CS1 Qty	CS2 Qty	CS3 Qty	CS4 Qty	
226	Prestressed Concrete Pile	1	0	0	1	0	Each

Element Number	Defect Type	Defect Description	CS	CS Qty	Maint Qty	
226	Cracking (PSC)	U/W INSPECTION, MULTIPLE H/L CRACKS, MULTIPLE FACES, GENERALLY THESE CRACKS ARE LOST IN THE SCALING AREA. SCALING TO 1/4" FROM WATERLINE DOWN 3'.	3	1	3	Each

General Comments

Bent 22 **Footing****Reinforced Concrete Footing**

Element Number	Element Name	Total Qty	CS1 Qty	CS2 Qty	CS3 Qty	CS4 Qty	
220	Reinforced Concrete Pile Cap/Footing	32	0	32	0	0	Feet

Element Number	Defect Type	Defect Description	CS	CS Qty	Maint Qty	
220	Cracking (RC and Other)	BENT 22 FOOTING HAS SCATTERED CRACKS.	2	20		Feet
220	Cracking (RC and Other)	U/W INSPECTION; MULTIPLE RANDOM HAIRLINE CRACKS ON THE BOTTOM OF THE FOOTING.	2	12		Feet

General Comments

Bent 22 Cap 1

Reinforced Concrete Pier Cap

Element Number	Element Name	Total Qty	CS1 Qty	CS2 Qty	CS3 Qty	CS4 Qty
234	Reinforced Concrete Pier Cap	29	13	16	0	0 Feet

Element Number	Defect Type	Defect Description	CS	CS Qty	Maint Qty
234	Delamination/Spall	BENT 22 CAP SOUTH FACE RIGHT OF BEAM 3. HAS A CRACKED AND DELAMINATED AREA. AREA IS: 19" x 24"	2	2	2 Feet
234	Patched Area	BENT 22 CAP HAS SCATTERED PATCHED AREAS WITH SOME HAIRLINE CRACKS. PATCHES ARE SOUND.	2	14	Feet

General Comments

Bent 22 Pile 1

Reinforced Concrete Column

Element Number	Element Name	Total Qty	CS1 Qty	CS2 Qty	CS3 Qty	CS4 Qty
205	Reinforced Concrete Column	1	0	1	0	0 Each

Element Number	Defect Type	Defect Description	CS	CS Qty	Maint Qty
205	Cracking (RC and Other)	BENT 22 PILE HAS SCATTERED CRACKS.	2	1	Each

General Comments

Bent 22 Foundation Pile 1

Prestressed Concrete Footing Pile

Element Number	Element Name	Total Qty	CS1 Qty	CS2 Qty	CS3 Qty	CS4 Qty
226	Prestressed Concrete Pile	1	0	0	1	0 Each

Element Number	Defect Type	Defect Description	CS	CS Qty	Maint Qty
226	Cracking (PSC)	U/W INSPECTION, MULTIPLE H/L CRACKS, MULTIPLE FACES, GENERALLY THESE CRACKS ARE LOST IN THE SCALING AREA. SCALING TO 1/4" FROM WATERLINE DOWN 3'.	3	1	3 Each

General Comments

Bent 22 Pile 2

Reinforced Concrete Column

Element Number	Element Name	Total Qty	CS1 Qty	CS2 Qty	CS3 Qty	CS4 Qty
205	Reinforced Concrete Column	1	0	1	0	0 Each

Element Number	Defect Type	Defect Description	CS	CS Qty	Maint Qty
205	Cracking (RC and Other)	BENT 22 PILE 2 HAS SCATTERED CRACKS WITH SOME EFFLO VISIBLE.	2	1	Each

General Comments

Bent 22 Foundation Pile 2

Prestressed Concrete Footing Pile

Element Number	Element Name	Total Qty	CS1 Qty	CS2 Qty	CS3 Qty	CS4 Qty
226	Prestressed Concrete Pile	1	0	0	1	0 Each

Element Number	Defect Type	Defect Description	CS	CS Qty	Maint Qty
226	Cracking (PSC)	U/W INSPECTION, MULTIPLE H/L CRACKS, MULTIPLE FACES, GENERALLY THESE CRACKS ARE LOST IN THE SCALING AREA. SCALING TO 1/4" FROM WATERLINE DOWN 3'.	3	1	3 Each

General Comments

Bent 22 Foundation Pile 3

Prestressed Concrete Footing Pile

Element Number	Element Name	Total Qty	CS1 Qty	CS2 Qty	CS3 Qty	CS4 Qty
226	Prestressed Concrete Pile	1	0	0	1	0 Each

Element Number	Defect Type	Defect Description	CS	CS Qty	Maint Qty
226	Cracking (PSC)	U/W INSPECTION, MULTIPLE H/L CRACKS, MULTIPLE FACES, GENERALLY THESE CRACKS ARE LOST IN THE SCALING AREA. SCALING TO 1/4" FROM WATERLINE DOWN 3'.	3	1	3 Each

General Comments

Bent 22 Foundation Pile 4

Prestressed Concrete Footing Pile

Element Number	Element Name	Total Qty	CS1 Qty	CS2 Qty	CS3 Qty	CS4 Qty
226	Prestressed Concrete Pile	1	0	0	1	0 Each

Element Number	Defect Type	Defect Description	CS	CS Qty	Maint Qty
226	Cracking (PSC)	U/W INSPECTION, MULTIPLE H/L CRACKS, MULTIPLE FACES, GENERALLY THESE CRACKS ARE LOST IN THE SCALING AREA. SCALING TO 1/4" FROM WATERLINE DOWN 3'.	3	1	3 Each

General Comments

Bent 22 Foundation Pile 5

Prestressed Concrete Footing Pile

Element Number	Element Name	Total Qty	CS1 Qty	CS2 Qty	CS3 Qty	CS4 Qty
226	Prestressed Concrete Pile	1	0	0	1	0 Each

Element Number	Defect Type	Defect Description	CS	CS Qty	Maint Qty
226	Cracking (PSC)	U/W INSPECTION, MULTIPLE H/L CRACKS, MULTIPLE FACES, GENERALLY THESE CRACKS ARE LOST IN THE SCALING AREA. SCALING TO 1/4" FROM WATERLINE DOWN 3'.	3	1	3 Each

General Comments

Bent 22 **Foundation Pile 6****Prestressed Concrete Footing Pile**

Element Number	Element Name	Total Qty	CS1 Qty	CS2 Qty	CS3 Qty	CS4 Qty
226	Prestressed Concrete Pile	1	0	0	1	0 Each

Element Number	Defect Type	Defect Description	CS	CS Qty	Maint Qty
226	Cracking (PSC)	U/W INSPECTION, MULTIPLE H/L CRACKS, MULTIPLE FACES, GENERALLY THESE CRACKS ARE LOST IN THE SCALING AREA. SCALING TO 1/4" FROM WATERLINE DOWN 3'.	3	1	3 Each

General Comments

Bent 22 **Foundation Pile 7****Prestressed Concrete Footing Pile**

Element Number	Element Name	Total Qty	CS1 Qty	CS2 Qty	CS3 Qty	CS4 Qty
226	Prestressed Concrete Pile	1	0	0	1	0 Each

Element Number	Defect Type	Defect Description	CS	CS Qty	Maint Qty
226	Cracking (PSC)	U/W INSPECTION, MULTIPLE H/L CRACKS, MULTIPLE FACES, GENERALLY THESE CRACKS ARE LOST IN THE SCALING AREA. SCALING TO 1/4" FROM WATERLINE DOWN 3'.	3	1	3 Each

General Comments

Bent 22 **Foundation Pile 8****Prestressed Concrete Footing Pile**

Element Number	Element Name	Total Qty	CS1 Qty	CS2 Qty	CS3 Qty	CS4 Qty
226	Prestressed Concrete Pile	1	0	0	1	0 Each

Element Number	Defect Type	Defect Description	CS	CS Qty	Maint Qty
226	Cracking (PSC)	U/W INSPECTION, MULTIPLE H/L CRACKS, MULTIPLE FACES, GENERALLY THESE CRACKS ARE LOST IN THE SCALING AREA. SCALING TO 1/4" FROM WATERLINE DOWN 3'.	3	1	3 Each

General Comments

Bent 22 **Foundation Pile 9****Prestressed Concrete Footing Pile**

Element Number	Element Name	Total Qty	CS1 Qty	CS2 Qty	CS3 Qty	CS4 Qty
226	Prestressed Concrete Pile	1	0	0	1	0 Each

Element Number	Defect Type	Defect Description	CS	CS Qty	Maint Qty
226	Cracking (PSC)	U/W INSPECTION, MULTIPLE H/L CRACKS, MULTIPLE FACES, GENERALLY THESE CRACKS ARE LOST IN THE SCALING AREA. SCALING TO 1/4" FROM WATERLINE DOWN 3'.	3	1	3 Each

General Comments

Bent 22 Foundation Pile 10

Prestressed Concrete Footing Pile

Element Number	Element Name	Total Qty	CS1 Qty	CS2 Qty	CS3 Qty	CS4 Qty	
226	Prestressed Concrete Pile	1	0	1	0	0	Each

Element Number	Defect Type	Defect Description	CS	CS Qty	Maint Qty	
226	Abrasion/Wear (PSC/RC)	U/W INSPECTION; SCALING TO 1/8-1/4".	2	1		Each

General Comments

Bent 22 Foundation Pile 11

Prestressed Concrete Footing Pile

Element Number	Element Name	Total Qty	CS1 Qty	CS2 Qty	CS3 Qty	CS4 Qty	
226	Prestressed Concrete Pile	1	0	0	1	0	Each

Element Number	Defect Type	Defect Description	CS	CS Qty	Maint Qty	
226	Cracking (PSC)	U/W INSPECTION, MULTIPLE H/L CRACKS, MULTIPLE FACES, GENERALLY THESE CRACKS ARE LOST IN THE SCALING AREA. SCALING TO 1/4" FROM WATERLINE DOWN 3'.	3	1	3	Each

General Comments

Bent 22 Foundation Pile 12

Prestressed Concrete Footing Pile

Element Number	Element Name	Total Qty	CS1 Qty	CS2 Qty	CS3 Qty	CS4 Qty	
226	Prestressed Concrete Pile	1	0	0	1	0	Each

Element Number	Defect Type	Defect Description	CS	CS Qty	Maint Qty	
226	Cracking (PSC)	U/W INSPECTION, MULTIPLE H/L CRACKS, MULTIPLE FACES, GENERALLY THESE CRACKS ARE LOST IN THE SCALING AREA. SCALING TO 1/4" FROM WATERLINE DOWN 3'.	3	1	3	Each

General Comments

Bent 23 Footing

Reinforced Concrete Footing

Element Number	Element Name	Total Qty	CS1 Qty	CS2 Qty	CS3 Qty	CS4 Qty	
220	Reinforced Concrete Pile Cap/Footing	32	0	32	0	0	Feet

Element Number	Defect Type	Defect Description	CS	CS Qty	Maint Qty	
220	Cracking (RC and Other)	BENT 23 FOOTING HAS SCATTERED CRACKS.	2	12		Feet
220	Cracking (RC and Other)	U/W INSPECTION; MULTIPLE RANDOM HAIRLINE CRACKS ON THE BOTTOM OF THE FOOTING.	2	20		Feet

General Comments

Bent 23 Cap 1**Reinforced Concrete Pier Cap**

Element Number	Element Name	Total Qty	CS1 Qty	CS2 Qty	CS3 Qty	CS4 Qty
234	Reinforced Concrete Pier Cap	29	13	10	6	0 Feet

Element Number	Defect Type	Defect Description	CS	CS Qty	Maint Qty
234	Delamination/Spall	BENT 23 CAP NORTH FACE BAY 2. HAS A SPALLED AREA WITH REBAR EXPOSED. THIS AREA IS MARKED FOR REPAIR UNDER CURRENT CONTRACT.	3	6	6 Feet
234	Patched Area	BENT 23 CAP HAS SCATTERED PATCHED AREAS WITH SCATTERED HAIRLINE CRACKS. PATCHES ARE SOUND.	2	10	Feet

General Comments

Bent 23 Foundation Pile 1**Prestressed Concrete Footing Pile**

Element Number	Element Name	Total Qty	CS1 Qty	CS2 Qty	CS3 Qty	CS4 Qty
226	Prestressed Concrete Pile	1	1	0	0	0 Each

Element Number	Defect Type	Defect Description	CS	CS Qty	Maint Qty
226	Abrasion/Wear (PSC/RC)	U/W INSPECTION; SCALING TO 1/2" - 3/4" DEEP WITH LOOSE AGGREGATE X 360* FROM WATERLINE DOWN 3'. PILE HAS BEEN JACKETED.	1	1	Each

General Comments

PILE HAS BEEN JACKETED.

Bent 23 Pile 2**Reinforced Concrete Column**

Element Number	Element Name	Total Qty	CS1 Qty	CS2 Qty	CS3 Qty	CS4 Qty
205	Reinforced Concrete Column	1	0	1	0	0 Each

Element Number	Defect Type	Defect Description	CS	CS Qty	Maint Qty
205	Patched Area	BENT 23 PILE 2 HAS SCATTERED PATCHED AREAS WITH SOME HAIRLINE CRACKS. PATCHES APPEAR TO BE SOUND.	2	1	Each

General Comments

Bent 23 Foundation Pile 2**Prestressed Concrete Footing Pile**

Element Number	Element Name	Total Qty	CS1 Qty	CS2 Qty	CS3 Qty	CS4 Qty
226	Prestressed Concrete Pile	1	1	0	0	0 Each

Element Number	Defect Type	Defect Description	CS	CS Qty	Maint Qty
226	Abrasion/Wear (PSC/RC)	U/W INSPECTION; SCALING TO 1/2" - 3/4" DEEP WITH LOOSE AGGREGATE X 360* FROM WATERLINE DOWN 3'. PILE HAS BEEN JACKETED.	1	1	Each

General Comments

PILE HAS BEEN JACKETED.

Bent 23 Foundation Pile 3**Prestressed Concrete Footing Pile**

Element Number	Element Name	Total Qty	CS1 Qty	CS2 Qty	CS3 Qty	CS4 Qty	
226	Prestressed Concrete Pile	1	1	0	0	0	Each

Element Number	Defect Type	Defect Description	CS	CS Qty	Maint Qty	
226	Abrasion/Wear (PSC/RC)	U/W INSPECTION; SCALING TO 1/2" - 3/4" DEEP WITH LOOSE AGGREGATE X 360° FROM WATERLINE DOWN 3'. PILE HAS BEEN JACKETED.	1	1		Each

General Comments

PILE HAS BEEN JACKETED.

Bent 23 Foundation Pile 4**Prestressed Concrete Footing Pile**

Element Number	Element Name	Total Qty	CS1 Qty	CS2 Qty	CS3 Qty	CS4 Qty	
226	Prestressed Concrete Pile	1	1	0	0	0	Each

Element Number	Defect Type	Defect Description	CS	CS Qty	Maint Qty	
226	Abrasion/Wear (PSC/RC)	U/W INSPECTION; SCALING TO 1/2" - 3/4" DEEP WITH LOOSE AGGREGATE X 360° FROM WATERLINE DOWN 3'. PILE HAS BEEN JACKETED.	1	1		Each

General Comments

PILE HAS BEEN JACKETED.

Bent 23 Foundation Pile 5**Prestressed Concrete Footing Pile**

Element Number	Element Name	Total Qty	CS1 Qty	CS2 Qty	CS3 Qty	CS4 Qty	
226	Prestressed Concrete Pile	1	0	1	0	0	Each

Element Number	Defect Type	Defect Description	CS	CS Qty	Maint Qty	
226	Abrasion/Wear (PSC/RC)	U/W INSPECTION; SCALING TO 1/8-1/4" DEEP.	2	1		Each

General Comments

Bent 23 Foundation Pile 6**Prestressed Concrete Footing Pile**

Element Number	Element Name	Total Qty	CS1 Qty	CS2 Qty	CS3 Qty	CS4 Qty	
226	Prestressed Concrete Pile	1	1	0	0	0	Each

Element Number	Defect Type	Defect Description	CS	CS Qty	Maint Qty	
226	Abrasion/Wear (PSC/RC)	U/W INSPECTION; SCALING TO 1/2" - 3/4" DEEP WITH LOOSE AGGREGATE X 360° FROM WATERLINE DOWN 3'. PILE HAS BEEN JACKETED.	1	1		Each

General Comments

PILE HAS BEEN JACKETED.

Bent 23 Foundation Pile 7
Prestressed Concrete Footing Pile

Element Number	Element Name	Total Qty	CS1 Qty	CS2 Qty	CS3 Qty	CS4 Qty
226	Prestressed Concrete Pile	1	0	1	0	0 Each

Element Number	Defect Type	Defect Description	CS	CS Qty	Maint Qty
226	Abrasion/Wear (PSC/RC)	U/W INSPECTION; SCALING TO 1/8-1/4" DEEP.	2	1	Each

General Comments

Bent 23 Foundation Pile 8
Prestressed Concrete Footing Pile

Element Number	Element Name	Total Qty	CS1 Qty	CS2 Qty	CS3 Qty	CS4 Qty
226	Prestressed Concrete Pile	1	0	1	0	0 Each

Element Number	Defect Type	Defect Description	CS	CS Qty	Maint Qty
226	Abrasion/Wear (PSC/RC)	U/W INSPECTION; SCALING TO 1/8-1/4" DEEP.	2	1	Each

General Comments

Bent 23 Foundation Pile 9
Prestressed Concrete Footing Pile

Element Number	Element Name	Total Qty	CS1 Qty	CS2 Qty	CS3 Qty	CS4 Qty
226	Prestressed Concrete Pile	1	0	1	0	0 Each

Element Number	Defect Type	Defect Description	CS	CS Qty	Maint Qty
226	Abrasion/Wear (PSC/RC)	U/W INSPECTION; SCALING TO 1/8-1/4" DEEP.	2	1	Each

General Comments

Bent 23 Foundation Pile 10
Prestressed Concrete Footing Pile

Element Number	Element Name	Total Qty	CS1 Qty	CS2 Qty	CS3 Qty	CS4 Qty
226	Prestressed Concrete Pile	1	0	1	0	0 Each

Element Number	Defect Type	Defect Description	CS	CS Qty	Maint Qty
226	Abrasion/Wear (PSC/RC)	U/W INSPECTION; SCALING TO 1/8-1/4" DEEP.	2	1	Each

General Comments

Bent 23 Foundation Pile 11
Prestressed Concrete Footing Pile

Element Number	Element Name	Total Qty	CS1 Qty	CS2 Qty	CS3 Qty	CS4 Qty
226	Prestressed Concrete Pile	1	0	0	1	0 Each

Element Number	Defect Type	Defect Description	CS	CS Qty	Maint Qty
----------------	-------------	--------------------	----	--------	-----------

Structure Number: 070007

Inspection Date: 03/03/2022

226 Cracking (PSC) U/W INSPECTION, MULTIPLE H/L CRACKS, MULTIPLE FACES, GENERALLY THESE CRACKS ARE LOST IN THE SCALING AREA. SCALING TO 1/4" FROM WATERLINE DOWN 3'. 3 1 3 Each

General Comments

Bent 23 Foundation Pile 12

Prestressed Concrete Footing Pile

Element Number	Element Name	Total Qty	CS1 Qty	CS2 Qty	CS3 Qty	CS4 Qty	
226	Prestressed Concrete Pile	1	0	1	0	0	Each

Element Number	Defect Type	Defect Description	CS	CS Qty	Maint Qty	
226	Abrasion/Wear (PSC/RC)	U/W INSPECTION; SCALING TO 1/8-1/4" DEEP.	2	1		Each

General Comments

Bent 24 Footing

Reinforced Concrete Footing

Element Number	Element Name	Total Qty	CS1 Qty	CS2 Qty	CS3 Qty	CS4 Qty	
220	Reinforced Concrete Pile Cap/Footing	32	0	32	0	0	Feet

Element Number	Defect Type	Defect Description	CS	CS Qty	Maint Qty	
220	Cracking (RC and Other)	U/W INSPECTION; MULTIPLE RANDOM HAIRLINE CRACKS ON THE BOTTOM OF THE FOOTING.	2	28		Feet
220	Patched Area	at all corners, multiple sound patches [up to 2ft x 2ft]	2	4		Feet

General Comments

Bent 24 Cap 1

Reinforced Concrete Pier Cap

Element Number	Element Name	Total Qty	CS1 Qty	CS2 Qty	CS3 Qty	CS4 Qty	
234	Reinforced Concrete Pier Cap	29	10	19	0	0	Feet

Element Number	Defect Type	Defect Description	CS	CS Qty	Maint Qty	
234	Patched Area	BENT 24 CAP HAS SCATTERED PATCHED AREAS WITH SOME HAIRLINE CRACKS. PATCHES ARE SOUND.	2	16		Feet
234	Patched Area	BENT 24 CAP TOP AND WEST FACE HAS A sound patch [17in x 32in]	2	3		Feet

General Comments

Bent 24 Foundation Pile 1

Prestressed Concrete Footing Pile

Element Number	Element Name	Total Qty	CS1 Qty	CS2 Qty	CS3 Qty	CS4 Qty	
226	Prestressed Concrete Pile	1	0	0	1	0	Each

Element Number	Defect Type	Defect Description	CS	CS Qty	Maint Qty	
----------------	-------------	--------------------	----	--------	-----------	--

226	Cracking (PSC)	U/W INSPECTION, MULTIPLE H/L - 1/32" CRACKS, MULTIPLE FACES, GENERALLY THESE CRACKS ARE LOST IN THE SCALING AREA. SCALING 1/2" - 3/4" DEEP WITH LOOSE AGGREGATE X 360* FROM WATERLINE DOWN 3'.	3	1	3	Each
-----	----------------	--	---	---	---	------

General Comments

Bent 24 Foundation Pile 2

Prestressed Concrete Footing Pile

Element Number	Element Name	Total Qty	CS1 Qty	CS2 Qty	CS3 Qty	CS4 Qty
226	Prestressed Concrete Pile	1	0	0	1	0 Each

Element Number	Defect Type	Defect Description	CS	CS Qty	Maint Qty
226	Cracking (PSC)	U/W INSPECTION, MULTIPLE H/L - 1/32" CRACKS, MULTIPLE FACES, GENERALLY THESE CRACKS ARE LOST IN THE SCALING AREA. SCALING 1/2" - 3/4" DEEP WITH LOOSE AGGREGATE X 360* FROM WATERLINE DOWN 3'.	3	1	3 Each

General Comments

Bent 24 Foundation Pile 3

Prestressed Concrete Footing Pile

Element Number	Element Name	Total Qty	CS1 Qty	CS2 Qty	CS3 Qty	CS4 Qty
226	Prestressed Concrete Pile	1	0	0	1	0 Each

Element Number	Defect Type	Defect Description	CS	CS Qty	Maint Qty
226	Cracking (PSC)	U/W INSPECTION, MULTIPLE H/L CRACKS, MULTIPLE FACES, GENERALLY THESE CRACKS ARE LOST IN THE SCALING AREA. SCALING 1/2" - 3/4" DEEP WITH LOOSE AGGREGATE X 360* FROM WATERLINE DOWN 3'.	3	1	3 Each

General Comments

Bent 24 Foundation Pile 4

Prestressed Concrete Footing Pile

Element Number	Element Name	Total Qty	CS1 Qty	CS2 Qty	CS3 Qty	CS4 Qty
226	Prestressed Concrete Pile	1	0	0	1	0 Each

Element Number	Defect Type	Defect Description	CS	CS Qty	Maint Qty
226	Cracking (PSC)	U/W INSPECTION, MULTIPLE H/L CRACKS, MULTIPLE FACES, GENERALLY THESE CRACKS ARE LOST IN THE SCALING AREA. SCALING 1/2" - 3/4" DEEP WITH LOOSE AGGREGATE X 360* FROM WATERLINE DOWN 3'.	3	1	3 Each

General Comments

Bent 24 Foundation Pile 5

Prestressed Concrete Footing Pile

Element Number	Element Name	Total Qty	CS1 Qty	CS2 Qty	CS3 Qty	CS4 Qty
226	Prestressed Concrete Pile	1	0	0	1	0 Each

Element Number	Defect Type	Defect Description	CS	CS Qty	Maint Qty
----------------	-------------	--------------------	----	--------	-----------

226	Cracking (PSC)	U/W INSPECTION, MULTIPLE H/L CRACKS, MULTIPLE FACES, GENERALLY THESE CRACKS ARE LOST IN THE SCALING AREA. SCALING 1/2" - 3/4" DEEP WITH LOOSE AGGREGATE X 360* FROM WATERLINE DOWN 3'.	3	1	3	Each
-----	----------------	--	---	---	---	------

General Comments

Bent 24 Foundation Pile 6

Prestressed Concrete Footing Pile

Element Number	Element Name	Total Qty	CS1 Qty	CS2 Qty	CS3 Qty	CS4 Qty
226	Prestressed Concrete Pile	1	0	0	1	0 Each

Element Number	Defect Type	Defect Description	CS	CS Qty	Maint Qty
226	Cracking (PSC)	U/W INSPECTION, MULTIPLE H/L CRACKS, MULTIPLE FACES, GENERALLY THESE CRACKS ARE LOST IN THE SCALING AREA. SCALING 1/2" - 3/4" DEEP WITH LOOSE AGGREGATE X 360* FROM WATERLINE DOWN 3'.	3	1	3 Each

General Comments

Bent 24 Foundation Pile 7

Prestressed Concrete Footing Pile

Element Number	Element Name	Total Qty	CS1 Qty	CS2 Qty	CS3 Qty	CS4 Qty
226	Prestressed Concrete Pile	1	0	0	1	0 Each

Element Number	Defect Type	Defect Description	CS	CS Qty	Maint Qty
226	Cracking (PSC)	U/W INSPECTION, MULTIPLE H/L - 1/32" CRACKS, MULTIPLE FACES, GENERALLY THESE CRACKS ARE LOST IN THE SCALING AREA. SCALING 1/2" - 3/4" DEEP WITH LOOSE AGGREGATE X 360* FROM WATERLINE DOWN 3'.	3	1	3 Each

General Comments

Bent 24 Foundation Pile 8

Prestressed Concrete Footing Pile

Element Number	Element Name	Total Qty	CS1 Qty	CS2 Qty	CS3 Qty	CS4 Qty
226	Prestressed Concrete Pile	1	0	0	1	0 Each

Element Number	Defect Type	Defect Description	CS	CS Qty	Maint Qty
226	Cracking (PSC)	U/W INSPECTION, MULTIPLE H/L - 1/32" CRACKS, MULTIPLE FACES, GENERALLY THESE CRACKS ARE LOST IN THE SCALING AREA. SCALING 1/2" - 3/4" DEEP WITH LOOSE AGGREGATE X 360* FROM WATERLINE DOWN 3'.	3	1	3 Each

General Comments

Bent 24 Foundation Pile 9

Prestressed Concrete Footing Pile

Element Number	Element Name	Total Qty	CS1 Qty	CS2 Qty	CS3 Qty	CS4 Qty
226	Prestressed Concrete Pile	1	0	0	1	0 Each

Element Number	Defect Type	Defect Description	CS	CS Qty	Maint Qty
----------------	-------------	--------------------	----	--------	-----------

226	Cracking (PSC)	U/W INSPECTION, MULTIPLE H/L CRACKS, MULTIPLE FACES, GENERALLY THESE CRACKS ARE LOST IN THE SCALING AREA. SCALING 1/2" - 3/4" DEEP WITH LOOSE AGGREGATE X 360* FROM WATERLINE DOWN 3'.	3	1	3	Each
-----	----------------	--	---	---	---	------

General Comments

Bent 24 Foundation Pile 10

Prestressed Concrete Footing Pile

Element Number	Element Name	Total Qty	CS1 Qty	CS2 Qty	CS3 Qty	CS4 Qty
226	Prestressed Concrete Pile	1	0	0	1	0 Each

Element Number	Defect Type	Defect Description	CS	CS Qty	Maint Qty
226	Cracking (PSC)	U/W INSPECTION, MULTIPLE H/L CRACKS, MULTIPLE FACES, GENERALLY THESE CRACKS ARE LOST IN THE SCALING AREA. SCALING 1/2" - 3/4" DEEP WITH LOOSE AGGREGATE X 360* FROM WATERLINE DOWN 3'.	3	1	3 Each

General Comments

Bent 24 Foundation Pile 11

Prestressed Concrete Footing Pile

Element Number	Element Name	Total Qty	CS1 Qty	CS2 Qty	CS3 Qty	CS4 Qty
226	Prestressed Concrete Pile	1	0	0	1	0 Each

Element Number	Defect Type	Defect Description	CS	CS Qty	Maint Qty
226	Cracking (PSC)	U/W INSPECTION, MULTIPLE H/L CRACKS, MULTIPLE FACES, GENERALLY THESE CRACKS ARE LOST IN THE SCALING AREA. SCALING 1/2" - 3/4" DEEP WITH LOOSE AGGREGATE X 360* FROM WATERLINE DOWN 3'.	3	1	3 Each

General Comments

Bent 24 Foundation Pile 12

Prestressed Concrete Footing Pile

Element Number	Element Name	Total Qty	CS1 Qty	CS2 Qty	CS3 Qty	CS4 Qty
226	Prestressed Concrete Pile	1	0	0	1	0 Each

Element Number	Defect Type	Defect Description	CS	CS Qty	Maint Qty
226	Cracking (PSC)	U/W INSPECTION, F-4 1/16" CRACK SPALLED TO 1/4", CRACK GETS LOST IN THE SCALING AREA. SCALING 1/2" - 3/4" DEEP WITH LOOSE AGGREGATE X 360* FROM WATERLINE DOWN 3'.	3	1	3 Each

General Comments

Bent 25 Footing

Reinforced Concrete Footing

Element Number	Element Name	Total Qty	CS1 Qty	CS2 Qty	CS3 Qty	CS4 Qty
220	Reinforced Concrete Pile Cap/Footing	32	0	32	0	0 Feet

Element Number	Defect Type	Defect Description	CS	CS Qty	Maint Qty
220	Cracking (RC and Other)	along South face and West face, multiple vertical cracks [up to 1/32in x full height]	2	4	Feet

Structure Number: 070007

Inspection Date: 03/03/2022

220	Cracking (RC and Other)	U/W INSPECTION; MULTIPLE RANDOM HAIRLINE CRACKS ON THE BOTTOM OF THE FOOTING.	2	26	Feet
220	Patched Area	at Southwest and Northwest corners, sound patch [up to 2ft x 2ft]	2	2	Feet

General Comments

Bent 25 Cap 1

Reinforced Concrete Pier Cap

Element Number	Element Name	Total Qty	CS1 Qty	CS2 Qty	CS3 Qty	CS4 Qty
234	Reinforced Concrete Pier Cap	29	11	18	0	0 Feet

Element Number	Defect Type	Defect Description	CS	CS Qty	Maint Qty
234	Patched Area	along South face, [3] three sound patches [up to 5ft x 3ft]	2	18	Feet

General Comments

Bent 25 Foundation Pile 1

Prestressed Concrete Footing Pile

Element Number	Element Name	Total Qty	CS1 Qty	CS2 Qty	CS3 Qty	CS4 Qty
226	Prestressed Concrete Pile	1	0	0	1	0 Each

Element Number	Defect Type	Defect Description	CS	CS Qty	Maint Qty
226	Cracking (PSC)	U/W INSPECTION, MULTIPLE H/L - 1/16" CRACKS, MULTIPLE FACES, GENERALLY THESE CRACKS ARE LOST IN THE SCALING AREA. SCALING TO 1" DEEP WITH LOOSE AGGREGATE X 360° FROM WATERLINE DOWN 5'.	3	1	5 Each

General Comments

Bent 25 Foundation Pile 2

Prestressed Concrete Footing Pile

Element Number	Element Name	Total Qty	CS1 Qty	CS2 Qty	CS3 Qty	CS4 Qty
226	Prestressed Concrete Pile	1	0	0	1	0 Each

Element Number	Defect Type	Defect Description	CS	CS Qty	Maint Qty
226	Cracking (PSC)	U/W INSPECTION, MULTIPLE H/L - 1/16" CRACKS, MULTIPLE FACES, GENERALLY THESE CRACKS ARE LOST IN THE SCALING AREA. SCALING TO 1" DEEP WITH LOOSE AGGREGATE X 360° FROM WATERLINE DOWN 5'.	3	1	5 Each

General Comments

Bent 25 Foundation Pile 3

Prestressed Concrete Footing Pile

Element Number	Element Name	Total Qty	CS1 Qty	CS2 Qty	CS3 Qty	CS4 Qty
226	Prestressed Concrete Pile	1	0	0	1	0 Each

Element Number	Defect Type	Defect Description	CS	CS Qty	Maint Qty
226	Cracking (PSC)	U/W INSPECTION, MULTIPLE H/L - 1/16" CRACKS, MULTIPLE FACES, GENERALLY THESE CRACKS ARE LOST IN THE SCALING AREA. SCALING TO 1" DEEP WITH LOOSE AGGREGATE X 360° FROM WATERLINE DOWN 5'.	3	1	5 Each

General Comments

Bent 25 Foundation Pile 4

Prestressed Concrete Footing Pile

Element Number	Element Name	Total Qty	CS1 Qty	CS2 Qty	CS3 Qty	CS4 Qty
226	Prestressed Concrete Pile	1	0	0	1	0 Each

Element Number	Defect Type	Defect Description	CS	CS Qty	Maint Qty
226	Cracking (PSC)	U/W INSPECTION, MULTIPLE H/L - 1/16" CRACKS, MULTIPLE FACES, GENERALLY THESE CRACKS ARE LOST IN THE SCALING AREA. SCALING TO 1" DEEP WITH LOOSE AGGREGATE X 360* FROM WATERLINE DOWN 5'.	3	1	5 Each

General Comments

Bent 25 Foundation Pile 5

Prestressed Concrete Footing Pile

Element Number	Element Name	Total Qty	CS1 Qty	CS2 Qty	CS3 Qty	CS4 Qty
226	Prestressed Concrete Pile	1	0	0	1	0 Each

Element Number	Defect Type	Defect Description	CS	CS Qty	Maint Qty
226	Cracking (PSC)	U/W INSPECTION, MULTIPLE H/L CRACKS, MULTIPLE FACES, GENERALLY THESE CRACKS ARE LOST IN THE SCALING AREA. SCALING TO 1" DEEP WITH LOOSE AGGREGATE X 360* FROM WATERLINE DOWN 5'.	3	1	5 Each

General Comments

Bent 25 Foundation Pile 6

Prestressed Concrete Footing Pile

Element Number	Element Name	Total Qty	CS1 Qty	CS2 Qty	CS3 Qty	CS4 Qty
226	Prestressed Concrete Pile	1	0	0	1	0 Each

Element Number	Defect Type	Defect Description	CS	CS Qty	Maint Qty
226	Cracking (PSC)	U/W INSPECTION, MULTIPLE H/L - 1/32" CRACKS, MULTIPLE FACES, GENERALLY THESE CRACKS ARE LOST IN THE SCALING AREA. SCALING TO 1" DEEP WITH LOOSE AGGREGATE X 360* FROM WATERLINE DOWN 5'.	3	1	5 Each

General Comments

Bent 25 Foundation Pile 7

Prestressed Concrete Footing Pile

Element Number	Element Name	Total Qty	CS1 Qty	CS2 Qty	CS3 Qty	CS4 Qty
226	Prestressed Concrete Pile	1	0	0	1	0 Each

Element Number	Defect Type	Defect Description	CS	CS Qty	Maint Qty
226	Cracking (PSC)	U/W INSPECTION, MULTIPLE H/L - 1/16" CRACKS, MULTIPLE FACES, GENERALLY THESE CRACKS ARE LOST IN THE SCALING AREA. SCALING TO 1" DEEP WITH LOOSE AGGREGATE X 360* FROM WATERLINE DOWN 5'.	3	1	5 Each

General Comments

Bent 25 Foundation Pile 8**Prestressed Concrete Footing Pile**

Element Number	Element Name	Total Qty	CS1 Qty	CS2 Qty	CS3 Qty	CS4 Qty
226	Prestressed Concrete Pile	1	0	0	1	0 Each

Element Number	Defect Type	Defect Description	CS	CS Qty	Maint Qty
226	Cracking (PSC)	U/W INSPECTION, MULTIPLE H/L - 1/16" CRACKS, MULTIPLE FACES, GENERALLY THESE CRACKS ARE LOST IN THE SCALING AREA. SCALING TO 1" DEEP WITH LOOSE AGGREGATE X 360° FROM WATERLINE DOWN 5'.	3	1	5 Each

General Comments

Bent 25 Foundation Pile 9**Prestressed Concrete Footing Pile**

Element Number	Element Name	Total Qty	CS1 Qty	CS2 Qty	CS3 Qty	CS4 Qty
226	Prestressed Concrete Pile	1	0	0	1	0 Each

Element Number	Defect Type	Defect Description	CS	CS Qty	Maint Qty
226	Cracking (PSC)	U/W INSPECTION, MULTIPLE H/L - 1/32" CRACKS, MULTIPLE FACES, GENERALLY THESE CRACKS ARE LOST IN THE SCALING AREA. SCALING TO 1" DEEP WITH LOOSE AGGREGATE X 360° FROM WATERLINE DOWN 5'.	3	1	5 Each

General Comments

Bent 25 Foundation Pile 10**Prestressed Concrete Footing Pile**

Element Number	Element Name	Total Qty	CS1 Qty	CS2 Qty	CS3 Qty	CS4 Qty
226	Prestressed Concrete Pile	1	0	0	1	0 Each

Element Number	Defect Type	Defect Description	CS	CS Qty	Maint Qty
226	Cracking (PSC)	U/W INSPECTION, SCALING 1/2-1" DEEP WITH LOOSE AGGREGATE X 360° FROM WATERLINE DOWN 5'.	3	1	5 Each

General Comments

Bent 25 Foundation Pile 11**Prestressed Concrete Footing Pile**

Element Number	Element Name	Total Qty	CS1 Qty	CS2 Qty	CS3 Qty	CS4 Qty
226	Prestressed Concrete Pile	1	0	0	1	0 Each

Element Number	Defect Type	Defect Description	CS	CS Qty	Maint Qty
226	Cracking (PSC)	U/W INSPECTION, MULTIPLE H/L - 1/16" CRACKS, MULTIPLE FACES, GENERALLY THESE CRACKS ARE LOST IN THE SCALING AREA. SCALING TO 1" DEEP WITH LOOSE AGGREGATE X 360° FROM WATERLINE DOWN 5'.	3	1	5 Each

General Comments

Bent 25 Foundation Pile 12**Prestressed Concrete Footing Pile**

Element Number	Element Name	Total Qty	CS1 Qty	CS2 Qty	CS3 Qty	CS4 Qty	
226	Prestressed Concrete Pile	1	0	0	1	0	Each

Element Number	Defect Type	Defect Description	CS	CS Qty	Maint Qty	
226	Cracking (PSC)	U/W INSPECTION, MULTIPLE H/L - 1/16" CRACKS, MULTIPLE FACES, GENERALLY THESE CRACKS ARE LOST IN THE SCALING AREA. SCALING TO 1" DEEP WITH LOOSE AGGREGATE X 360* FROM WATERLINE DOWN 5'.	3	1	5	Each

General Comments

Bent 26 Footing**Reinforced Concrete Footing**

Element Number	Element Name	Total Qty	CS1 Qty	CS2 Qty	CS3 Qty	CS4 Qty	
220	Reinforced Concrete Pile Cap/Footing	32	0	30	2	0	Feet

Element Number	Defect Type	Defect Description	CS	CS Qty	Maint Qty	
220	Delamination/Spall	at Northeast corner, spall [12in x 18in x 5in deep]	3	2	2	Feet
220	Cracking (RC and Other)	along North face and West face, multiple vertical cracks [up to 1/32in x full height]	2	4		Feet
220	Cracking (RC and Other)	U/W INSPECTION; MULTIPLE RANDOM HAIRLINE CRACKS ON THE BOTTOM OF THE FOOTING.	2	26		Feet

General Comments

Bent 26 Cap 1**Reinforced Concrete Pier Cap**

Element Number	Element Name	Total Qty	CS1 Qty	CS2 Qty	CS3 Qty	CS4 Qty	
234	Reinforced Concrete Pier Cap	29	7	22	0	0	Feet

Element Number	Defect Type	Defect Description	CS	CS Qty	Maint Qty	
234	Patched Area	BENT 26 CAP BOTTOM AND NORTH FACE UNDER BEAM 2. sound patch [8in x 24in]	2	2		Feet
234	Patched Area	BENT 26 CAP SOUTH FACE HAS SCATTERED PATCHED AREAS WITH SOME HAIRLINE CRACKS. PATCHES ARE SOUND.	2	20		Feet

General Comments

Bent 26 Foundation Pile 1**Prestressed Concrete Footing Pile**

Element Number	Element Name	Total Qty	CS1 Qty	CS2 Qty	CS3 Qty	CS4 Qty	
226	Prestressed Concrete Pile	1	0	0	1	0	Each

Element Number	Defect Type	Defect Description	CS	CS Qty	Maint Qty	
226	Cracking (PSC)	U/W INSPECTION, MULTIPLE H/L - 1/32" CRACKS, MULTIPLE FACES, GENERALLY THESE CRACKS ARE LOST IN THE SCALING AREA. SCALING TO 1" DEEP WITH LOOSE AGGREGATE X 360* FROM WATERLINE DOWN 5'.	3	1	5	Each

General Comments

Bent 26 Foundation Pile 2

Prestressed Concrete Footing Pile

Element Number	Element Name	Total Qty	CS1 Qty	CS2 Qty	CS3 Qty	CS4 Qty
226	Prestressed Concrete Pile	1	0	0	1	0 Each

Element Number	Defect Type	Defect Description	CS	CS Qty	Maint Qty
226	Cracking (PSC)	U/W INSPECTION, MULTIPLE H/L - 1/32" CRACKS, MULTIPLE FACES, GENERALLY THESE CRACKS ARE LOST IN THE SCALING AREA. SCALING TO 1" DEEP WITH LOOSE AGGREGATE X 360° FROM WATERLINE DOWN 5'.	3	1	5 Each

General Comments

Bent 26 Foundation Pile 3

Prestressed Concrete Footing Pile

Element Number	Element Name	Total Qty	CS1 Qty	CS2 Qty	CS3 Qty	CS4 Qty
226	Prestressed Concrete Pile	1	0	0	1	0 Each

Element Number	Defect Type	Defect Description	CS	CS Qty	Maint Qty
226	Cracking (PSC)	U/W INSPECTION, MULTIPLE H/L - 1/32" CRACKS, MULTIPLE FACES, GENERALLY THESE CRACKS ARE LOST IN THE SCALING AREA. SCALING TO 1" DEEP WITH LOOSE AGGREGATE X 360° FROM WATERLINE DOWN 5'.	3	1	5 Each

General Comments

Bent 26 Foundation Pile 4

Prestressed Concrete Footing Pile

Element Number	Element Name	Total Qty	CS1 Qty	CS2 Qty	CS3 Qty	CS4 Qty
226	Prestressed Concrete Pile	1	0	0	1	0 Each

Element Number	Defect Type	Defect Description	CS	CS Qty	Maint Qty
226	Cracking (PSC)	U/W INSPECTION, MULTIPLE H/L - 1/32" CRACKS, MULTIPLE FACES, GENERALLY THESE CRACKS ARE LOST IN THE SCALING AREA. SCALING TO 1" DEEP WITH LOOSE AGGREGATE X 360° FROM WATERLINE DOWN 5'.	3	1	5 Each

General Comments

Bent 26 Foundation Pile 5

Prestressed Concrete Footing Pile

Element Number	Element Name	Total Qty	CS1 Qty	CS2 Qty	CS3 Qty	CS4 Qty
226	Prestressed Concrete Pile	1	0	0	1	0 Each

Element Number	Defect Type	Defect Description	CS	CS Qty	Maint Qty
226	Cracking (PSC)	U/W INSPECTION, MULTIPLE H/L - 1/32" CRACKS, MULTIPLE FACES, GENERALLY THESE CRACKS ARE LOST IN THE SCALING AREA. SCALING TO 1" DEEP WITH LOOSE AGGREGATE X 360° FROM WATERLINE DOWN 5'.	3	1	5 Each

General Comments

Bent 26 Foundation Pile 6
Prestressed Concrete Footing Pile

Element Number	Element Name	Total Qty	CS1 Qty	CS2 Qty	CS3 Qty	CS4 Qty
226	Prestressed Concrete Pile	1	0	0	1	0 Each

Element Number	Defect Type	Defect Description	CS	CS Qty	Maint Qty
226	Cracking (PSC)	U/W INSPECTION, MULTIPLE H/L - 1/32" CRACKS, MULTIPLE FACES, GENERALLY THESE CRACKS ARE LOST IN THE SCALING AREA. SCALING TO 1" DEEP WITH LOOSE AGGREGATE X 360* FROM WATERLINE DOWN 5'.	3	1	5 Each

General Comments

Bent 26 Foundation Pile 7
Prestressed Concrete Footing Pile

Element Number	Element Name	Total Qty	CS1 Qty	CS2 Qty	CS3 Qty	CS4 Qty
226	Prestressed Concrete Pile	1	1	0	0	0 Each

Element Number	Defect Type	Defect Description	CS	CS Qty	Maint Qty
----------------	-------------	--------------------	----	--------	-----------

General Comments

PILE HAS BEEN JACKETED.

Bent 26 Foundation Pile 8
Prestressed Concrete Footing Pile

Element Number	Element Name	Total Qty	CS1 Qty	CS2 Qty	CS3 Qty	CS4 Qty
226	Prestressed Concrete Pile	1	0	0	1	0 Each

Element Number	Defect Type	Defect Description	CS	CS Qty	Maint Qty
226	Abrasion/Wear (PSC/RC)	U/W INSPECTION; SCALING TO 1" DEEP WITH LOOSE AGGREGATE X 360* FROM WATERLINE DOWN 5'.	3	1	5 Each

General Comments

Bent 26 Foundation Pile 9
Prestressed Concrete Footing Pile

Element Number	Element Name	Total Qty	CS1 Qty	CS2 Qty	CS3 Qty	CS4 Qty
226	Prestressed Concrete Pile	1	0	0	1	0 Each

Element Number	Defect Type	Defect Description	CS	CS Qty	Maint Qty
226	Cracking (PSC)	U/W INSPECTION, MULTIPLE H/L - 1/16" CRACKS, MULTIPLE FACES, GENERALLY THESE CRACKS ARE LOST IN THE SCALING AREA. SCALING TO 1" DEEP WITH LOOSE AGGREGATE X 360* FROM WATERLINE DOWN 5'.	3	1	5 Each

General Comments

Bent 26 Foundation Pile 10
Prestressed Concrete Footing Pile

Element Number	Element Name	Total Qty	CS1 Qty	CS2 Qty	CS3 Qty	CS4 Qty	
226	Prestressed Concrete Pile	1	0	0	1	0	Each

Element Number	Defect Type	Defect Description	CS	CS Qty	Maint Qty	
226	Cracking (PSC)	U/W INSPECTION, MULTIPLE H/L - 1/32" CRACKS, MULTIPLE FACES, GENERALLY THESE CRACKS ARE LOST IN THE SCALING AREA. SCALING TO 1" DEEP WITH LOOSE AGGREGATE X 360* FROM WATERLINE DOWN 5'.	3	1	5	Each

General Comments

Bent 26 Foundation Pile 11
Prestressed Concrete Footing Pile

Element Number	Element Name	Total Qty	CS1 Qty	CS2 Qty	CS3 Qty	CS4 Qty	
226	Prestressed Concrete Pile	1	1	0	0	0	Each

Element Number	Defect Type	Defect Description	CS	CS Qty	Maint Qty	
----------------	-------------	--------------------	----	--------	-----------	--

General Comments

PILE HAS BEEN JACKETED.

Bent 26 Foundation Pile 12
Prestressed Concrete Footing Pile

Element Number	Element Name	Total Qty	CS1 Qty	CS2 Qty	CS3 Qty	CS4 Qty	
226	Prestressed Concrete Pile	1	0	0	1	0	Each

Element Number	Defect Type	Defect Description	CS	CS Qty	Maint Qty	
226	Cracking (PSC)	U/W INSPECTION, MULTIPLE H/L - 1/16" CRACKS, MULTIPLE FACES, GENERALLY THESE CRACKS ARE LOST IN THE SCALING AREA. SCALING TO 1" DEEP WITH LOOSE AGGREGATE X 360* FROM WATERLINE DOWN 5'.	3	1	5	Each

General Comments

Bent 27 Footing
Reinforced Concrete Footing

Element Number	Element Name	Total Qty	CS1 Qty	CS2 Qty	CS3 Qty	CS4 Qty	
220	Reinforced Concrete Pile Cap/Footing	32	0	32	0	0	Feet

Element Number	Defect Type	Defect Description	CS	CS Qty	Maint Qty	
220	Cracking (RC and Other)	along West face and North face, multiple vertical cracks [up to 1/32in x full height]	2	4		Feet
220	Cracking (RC and Other)	U/W INSPECTION; MULTIPLE RANDOM HAIRLINE CRACKS ON THE BOTTOM OF THE FOOTING.	2	22		Feet
220	Patched Area	at Northeast corner and North face, multiple sound patches [up to 4ft x 2ft]	2	6		Feet

General Comments

Bent 27 Cap 1**Reinforced Concrete Pier Cap**

Element Number	Element Name	Total Qty	CS1 Qty	CS2 Qty	CS3 Qty	CS4 Qty
234	Reinforced Concrete Pier Cap	29	0	29	0	0 Feet

Element Number	Defect Type	Defect Description	CS	CS Qty	Maint Qty
234	Cracking (RC and Other)	BENT 27 CAP HAS SCATTERED CRACKS.	2	2	Feet
234	Patched Area	11' X FULL HEIGHT NEW REPAIR ON NORTH FACE OF BENT 27 CAP UNDER GIRDER 2 AND BAY 3	2	11	Feet
234	Patched Area	BENT 27 CAP SOUTH FACE from left of beam 1 to middle of bay 2, sound patch.	2	16	Feet
234	Delamination/Spall	BENT 27 CAP NORTH FACE AND BOTTOM. HAS 2 SPALLED AREAS WITH REBAR EXPOSED UNDER BEAM 2 AND IN BAY 3. THESE AREAS HAVE BEEN MARKED FOR REPAIR UNDER CURRENT CONTRACT. (REPAIRED PRIOR TO 2022 INSPECTION)	1		Feet

General Comments

Bent 27 Pile 1**Reinforced Concrete Column**

Element Number	Element Name	Total Qty	CS1 Qty	CS2 Qty	CS3 Qty	CS4 Qty
205	Reinforced Concrete Column	1	0	1	0	0 Each

Element Number	Defect Type	Defect Description	CS	CS Qty	Maint Qty
205	Patched Area	BENT 27 PILE 1 HAS SCATTERED PATCHED AREAS WITH SOME HAIRLINE CRACKS. PATCHES ARE SOUND.	2	1	Each

General Comments

Bent 27 Foundation Pile 1**Prestressed Concrete Footing Pile**

Element Number	Element Name	Total Qty	CS1 Qty	CS2 Qty	CS3 Qty	CS4 Qty
226	Prestressed Concrete Pile	1	0	0	1	0 Each

Element Number	Defect Type	Defect Description	CS	CS Qty	Maint Qty
226	Cracking (PSC)	U/W INSPECTION, MULTIPLE H/L - 1/16" CRACKS, MULTIPLE FACES, GENERALLY THESE CRACKS ARE LOST IN THE SCALING AREA. SCALING TO 1" DEEP WITH LOOSE AGGREGATE X 360° FROM WATERLINE DOWN 5'.	3	1	5 Each

General Comments

Bent 27 Pile 2**Reinforced Concrete Column**

Element Number	Element Name	Total Qty	CS1 Qty	CS2 Qty	CS3 Qty	CS4 Qty
205	Reinforced Concrete Column	1	0	1	0	0 Each

Element Number	Defect Type	Defect Description	CS	CS Qty	Maint Qty
205	Patched Area	BENT 27 PILE 2 HAS SCATTERED PATCHED AREAS WITH SOME HAIRLINE CRACKS. PATCHES ARE SOUND.	2	1	Each

General Comments

Bent 27 Foundation Pile 2**Prestressed Concrete Footing Pile**

Element Number	Element Name	Total Qty	CS1 Qty	CS2 Qty	CS3 Qty	CS4 Qty
226	Prestressed Concrete Pile	1	0	0	1	0 Each

Element Number	Defect Type	Defect Description	CS	CS Qty	Maint Qty
226	Cracking (PSC)	U/W INSPECTION, MULTIPLE H/L - 1/16" CRACKS, MULTIPLE FACES, GENERALLY THESE CRACKS ARE LOST IN THE SCALING AREA. SCALING TO 1" DEEP WITH LOOSE AGGREGATE X 360* FROM WATERLINE DOWN 5'.	3	1	5 Each

General Comments

Bent 27 Foundation Pile 3**Prestressed Concrete Footing Pile**

Element Number	Element Name	Total Qty	CS1 Qty	CS2 Qty	CS3 Qty	CS4 Qty
226	Prestressed Concrete Pile	1	0	0	1	0 Each

Element Number	Defect Type	Defect Description	CS	CS Qty	Maint Qty
226	Cracking (PSC)	U/W INSPECTION, MULTIPLE H/L - 1/32" CRACKS, MULTIPLE FACES, GENERALLY THESE CRACKS ARE LOST IN THE SCALING AREA. SCALING TO 1" DEEP WITH LOOSE AGGREGATE X 360* FROM WATERLINE DOWN 5'.	3	1	5 Each

General Comments

Bent 27 Foundation Pile 4**Prestressed Concrete Footing Pile**

Element Number	Element Name	Total Qty	CS1 Qty	CS2 Qty	CS3 Qty	CS4 Qty
226	Prestressed Concrete Pile	1	1	0	0	0 Each

Element Number	Defect Type	Defect Description	CS	CS Qty	Maint Qty
226	Cracking (PSC)	U/W INSPECTION; MULTIPLE H/L CRACKS, MULTIPLE FACES, W/L DOWN 5', GENERALLY THESE CRACKS ARE LOST IN THE SCALING AREA. SCALING TO 3/4" - 1" DEEP WITH LOOSE AGGREGATE X 360* FROM WATERLINE DOWN 5'. PILE HAS BEEN JACKETED.	1	1	Each

General Comments

PILE HAS BEEN JACKETED.

Bent 27 Foundation Pile 5**Prestressed Concrete Footing Pile**

Element Number	Element Name	Total Qty	CS1 Qty	CS2 Qty	CS3 Qty	CS4 Qty
226	Prestressed Concrete Pile	1	0	0	1	0 Each

Element Number	Defect Type	Defect Description	CS	CS Qty	Maint Qty
226	Cracking (PSC)	U/W INSPECTION, MULTIPLE H/L - 1/32" CRACKS, MULTIPLE FACES, GENERALLY THESE CRACKS ARE LOST IN THE SCALING AREA. SCALING TO 1" DEEP WITH LOOSE AGGREGATE X 360* FROM WATERLINE DOWN 5'.	3	1	5 Each

General Comments

Bent 27 Foundation Pile 6

Prestressed Concrete Footing Pile

Element Number	Element Name	Total Qty	CS1 Qty	CS2 Qty	CS3 Qty	CS4 Qty
226	Prestressed Concrete Pile	1	0	0	1	0 Each

Element Number	Defect Type	Defect Description	CS	CS Qty	Maint Qty
226	Abrasion/Wear (PSC/RC)	U/W INSPECTION, SCALING TO 3/4" DEEP WITH LOOSE AGGREGATE X 360° FROM WATERLINE DOWN 5'.	3	1	5 Each

General Comments

Bent 27 Foundation Pile 7

Prestressed Concrete Footing Pile

Element Number	Element Name	Total Qty	CS1 Qty	CS2 Qty	CS3 Qty	CS4 Qty
226	Prestressed Concrete Pile	1	0	0	1	0 Each

Element Number	Defect Type	Defect Description	CS	CS Qty	Maint Qty
226	Cracking (PSC)	U/W INSPECTION, F-4 & F-5 HAVE 1/16" CRACKS, THESE CRACKS ARE LOST IN THE SCALING AREA. SCALING TO 3/4" DEEP WITH LOOSE AGGREGATE X 360° FROM WATERLINE DOWN 5'.	3	1	5 Each

General Comments

Bent 27 Foundation Pile 8

Prestressed Concrete Footing Pile

Element Number	Element Name	Total Qty	CS1 Qty	CS2 Qty	CS3 Qty	CS4 Qty
226	Prestressed Concrete Pile	1	0	0	1	0 Each

Element Number	Defect Type	Defect Description	CS	CS Qty	Maint Qty
226	Cracking (PSC)	U/W INSPECTION, MULTIPLE H/L - 1/16" CRACKS, MULTIPLE FACES, GENERALLY THESE CRACKS ARE LOST IN THE SCALING AREA. SCALING TO 1" DEEP WITH LOOSE AGGREGATE X 360° FROM WATERLINE DOWN 5'.	3	1	5 Each

General Comments

Bent 27 Foundation Pile 9

Prestressed Concrete Footing Pile

Element Number	Element Name	Total Qty	CS1 Qty	CS2 Qty	CS3 Qty	CS4 Qty
226	Prestressed Concrete Pile	1	0	0	1	0 Each

Element Number	Defect Type	Defect Description	CS	CS Qty	Maint Qty
226	Cracking (PSC)	U/W INSPECTION, MULTIPLE H/L - 1/16" CRACKS, MULTIPLE FACES, GENERALLY THESE CRACKS ARE LOST IN THE SCALING AREA. SCALING TO 1" DEEP WITH LOOSE AGGREGATE X 360° FROM WATERLINE DOWN 5'.	3	1	5 Each

General Comments

Bent 27 Foundation Pile 10
Prestressed Concrete Footing Pile

Element Number	Element Name	Total Qty	CS1 Qty	CS2 Qty	CS3 Qty	CS4 Qty
226	Prestressed Concrete Pile	1	0	0	1	0 Each

Element Number	Defect Type	Defect Description	CS	CS Qty	Maint Qty
226	Cracking (PSC)	U/W INSPECTION, MULTIPLE H/L CRACKS, MULTIPLE FACES, GENERALLY THESE CRACKS ARE LOST IN THE SCALING AREA. SCALING TO 1" DEEP WITH LOOSE AGGREGATE X 360* FROM WATERLINE DOWN 5'.	3	1	5 Each

General Comments

Bent 27 Foundation Pile 11
Prestressed Concrete Footing Pile

Element Number	Element Name	Total Qty	CS1 Qty	CS2 Qty	CS3 Qty	CS4 Qty
226	Prestressed Concrete Pile	1	1	0	0	0 Each

Element Number	Defect Type	Defect Description	CS	CS Qty	Maint Qty
226	Cracking (PSC)	U/W INSPECTION; MULTIPLE H/L CRACKS, MULTIPLE FACES, W/L DOWN 5', GENERALLY THESE CRACKS ARE LOST IN THE SCALING AREA. SCALING TO 3/4" - 1" DEEP WITH LOOSE AGGREGATE X 360* FROM WATERLINE DOWN 5'. PILE HAS BEEN JACKETED.	1	1	Each

General Comments

PILE HAS BEEN JACKETED.

Bent 27 Foundation Pile 12
Prestressed Concrete Footing Pile

Element Number	Element Name	Total Qty	CS1 Qty	CS2 Qty	CS3 Qty	CS4 Qty
226	Prestressed Concrete Pile	1	1	0	0	0 Each

Element Number	Defect Type	Defect Description	CS	CS Qty	Maint Qty
226	Cracking (PSC)	U/W INSPECTION; MULTIPLE H/L CRACKS, MULTIPLE FACES, W/L DOWN 5', GENERALLY THESE CRACKS ARE LOST IN THE SCALING AREA. SCALING TO 3/4" - 1" DEEP WITH LOOSE AGGREGATE X 360* FROM WATERLINE DOWN 5'. PILE HAS BEEN JACKETED.	1	1	Each

General Comments

PILE HAS BEEN JACKETED.

Bent 28 Footing
Reinforced Concrete Footing

Element Number	Element Name	Total Qty	CS1 Qty	CS2 Qty	CS3 Qty	CS4 Qty
220	Reinforced Concrete Pile Cap/Footing	32	0	32	0	0 Feet

Element Number	Defect Type	Defect Description	CS	CS Qty	Maint Qty
220	Cracking (RC and Other)	on all faces, multiple vertical cracks [up to 1/32in x full height]	2	16	Feet
220	Cracking (RC and Other)	U/W INSPECTION; MULTIPLE RANDOM HAIRLINE CRACKS ON THE BOTTOM OF THE FOOTING.	2	16	Feet

General Comments

Bent 28 Cap 1**Reinforced Concrete Pier Cap**

Element Number	Element Name	Total Qty	CS1 Qty	CS2 Qty	CS3 Qty	CS4 Qty
234	Reinforced Concrete Pier Cap	29	21	8	0	0 Feet

Element Number	Defect Type	Defect Description	CS	CS Qty	Maint Qty
234	Patched Area	BENT 28 CAP SOUTH FACE UNDER BEAM 4. sound patch.	2	3	Feet
234	Patched Area	BENT 28 SOUTH FACE AND WEST END UNDER BEAM 1. sound patch.	2	5	Feet

General Comments

Bent 28 Foundation Pile 1**Prestressed Concrete Footing Pile**

Element Number	Element Name	Total Qty	CS1 Qty	CS2 Qty	CS3 Qty	CS4 Qty
226	Prestressed Concrete Pile	1	1	0	0	0 Each

Element Number	Defect Type	Defect Description	CS	CS Qty	Maint Qty
226	Cracking (PSC)	U/W INSPECTION; MULTIPLE H/L CRACKS, MULTIPLE FACES, W/L DOWN 5', GENERALLY THESE CRACKS ARE LOST IN THE SCALING AREA. SCALING TO 3/4" - 1" DEEP WITH LOOSE AGGREGATE X 360° FROM WATERLINE DOWN 5'. PILE HAS BEEN JACKETED.	1	1	Each

General Comments

PILE HAS BEEN JACKETED.

Bent 28 Pile 2**Reinforced Concrete Column**

Element Number	Element Name	Total Qty	CS1 Qty	CS2 Qty	CS3 Qty	CS4 Qty
205	Reinforced Concrete Column	1	0	1	0	0 Each

Element Number	Defect Type	Defect Description	CS	CS Qty	Maint Qty
205	Delamination/Spall	BENT 28 PILE 2 WEST FACE. HAS A CRACKED AND DELAMINATED AREA WITH SOME EFFLO VISIBLE. LOCATED 48" BELOW CAP. AREA IS: 24" x 54"	2	1	5 Each

General Comments

Bent 28 Foundation Pile 2**Prestressed Concrete Footing Pile**

Element Number	Element Name	Total Qty	CS1 Qty	CS2 Qty	CS3 Qty	CS4 Qty
226	Prestressed Concrete Pile	1	0	0	1	0 Each

Element Number	Defect Type	Defect Description	CS	CS Qty	Maint Qty
226	Cracking (PSC)	U/W INSPECTION, MULTIPLE H/L - 1/32" CRACKS, MULTIPLE FACES, GENERALLY THESE CRACKS ARE LOST IN THE SCALING AREA. SCALING TO 1" DEEP WITH LOOSE AGGREGATE X 360° FROM WATERLINE DOWN 5'.	3	1	5 Each

General Comments

Bent 28 Foundation Pile 3

Prestressed Concrete Footing Pile

Element Number	Element Name	Total Qty	CS1 Qty	CS2 Qty	CS3 Qty	CS4 Qty
226	Prestressed Concrete Pile	1	0	0	1	0 Each

Element Number	Defect Type	Defect Description	CS	CS Qty	Maint Qty
226	Abrasion/Wear (PSC/RC)	U/W INSPECTION, SCALING TO 3/4" DEEP WITH LOOSE AGGREGATE X 360° FROM WATERLINE DOWN 5'.	3	1	5 Each

General Comments

Bent 28 Foundation Pile 4

Prestressed Concrete Footing Pile

Element Number	Element Name	Total Qty	CS1 Qty	CS2 Qty	CS3 Qty	CS4 Qty
226	Prestressed Concrete Pile	1	0	0	1	0 Each

Element Number	Defect Type	Defect Description	CS	CS Qty	Maint Qty
226	Cracking (PSC)	U/W INSPECTION, MULTIPLE H/L - 1/32" CRACKS, MULTIPLE FACES, GENERALLY THESE CRACKS ARE LOST IN THE SCALING AREA. SCALING TO 1" DEEP WITH LOOSE AGGREGATE X 360° FROM WATERLINE DOWN 5'.	3	1	5 Each

General Comments

Bent 28 Foundation Pile 5

Prestressed Concrete Footing Pile

Element Number	Element Name	Total Qty	CS1 Qty	CS2 Qty	CS3 Qty	CS4 Qty
226	Prestressed Concrete Pile	1	0	0	1	0 Each

Element Number	Defect Type	Defect Description	CS	CS Qty	Maint Qty
226	Cracking (PSC)	U/W INSPECTION, MULTIPLE H/L - 1/32" CRACKS, MULTIPLE FACES, GENERALLY THESE CRACKS ARE LOST IN THE SCALING AREA. SCALING TO 1" DEEP WITH LOOSE AGGREGATE X 360° FROM WATERLINE DOWN 5'.	3	1	5 Each

General Comments

Bent 28 Foundation Pile 6

Prestressed Concrete Footing Pile

Element Number	Element Name	Total Qty	CS1 Qty	CS2 Qty	CS3 Qty	CS4 Qty
226	Prestressed Concrete Pile	1	0	0	1	0 Each

Element Number	Defect Type	Defect Description	CS	CS Qty	Maint Qty
226	Cracking (PSC)	U/W INSPECTION, MULTIPLE H/L CRACKS, MULTIPLE FACES, GENERALLY THESE CRACKS ARE LOST IN THE SCALING AREA. SCALING TO 1" DEEP WITH LOOSE AGGREGATE X 360° FROM WATERLINE DOWN 5'.	3	1	5 Each

General Comments

Bent 28 **Foundation Pile 7****Prestressed Concrete Footing Pile**

Element Number	Element Name	Total Qty	CS1 Qty	CS2 Qty	CS3 Qty	CS4 Qty
226	Prestressed Concrete Pile	1	0	0	1	0 Each

Element Number	Defect Type	Defect Description	CS	CS Qty	Maint Qty
226	Cracking (PSC)	U/W INSPECTION, MULTIPLE H/L - 1/16" CRACKS, MULTIPLE FACES, GENERALLY THESE CRACKS ARE LOST IN THE SCALING AREA. SCALING TO 1" DEEP WITH LOOSE AGGREGATE X 360° FROM WATERLINE DOWN 5'.	3	1	5 Each

General Comments

Bent 28 **Foundation Pile 8****Prestressed Concrete Footing Pile**

Element Number	Element Name	Total Qty	CS1 Qty	CS2 Qty	CS3 Qty	CS4 Qty
226	Prestressed Concrete Pile	1	0	0	1	0 Each

Element Number	Defect Type	Defect Description	CS	CS Qty	Maint Qty
226	Cracking (PSC)	U/W INSPECTION, MULTIPLE H/L - 1/16" CRACKS, MULTIPLE FACES, GENERALLY THESE CRACKS ARE LOST IN THE SCALING AREA. SCALING TO 1" DEEP WITH LOOSE AGGREGATE X 360° FROM WATERLINE DOWN 5'.	3	1	5 Each

General Comments

Bent 28 **Foundation Pile 9****Prestressed Concrete Footing Pile**

Element Number	Element Name	Total Qty	CS1 Qty	CS2 Qty	CS3 Qty	CS4 Qty
226	Prestressed Concrete Pile	1	0	0	1	0 Each

Element Number	Defect Type	Defect Description	CS	CS Qty	Maint Qty
226	Cracking (PSC)	U/W INSPECTION, MULTIPLE H/L - 1/16" CRACKS, MULTIPLE FACES, GENERALLY THESE CRACKS ARE LOST IN THE SCALING AREA. SCALING TO 1" DEEP WITH LOOSE AGGREGATE X 360° FROM WATERLINE DOWN 5'.	3	1	5 Each

General Comments

Bent 28 **Foundation Pile 10****Prestressed Concrete Footing Pile**

Element Number	Element Name	Total Qty	CS1 Qty	CS2 Qty	CS3 Qty	CS4 Qty
226	Prestressed Concrete Pile	1	0	0	1	0 Each

Element Number	Defect Type	Defect Description	CS	CS Qty	Maint Qty
226	Abrasion/Wear (PSC/RC)	U/W INSPECTION, SCALING TO 1" DEEP WITH LOOSE AGGREGATE X 360° FROM WATERLINE DOWN 5'.	3	1	5 Each

General Comments

Bent 28 Foundation Pile 11

Prestressed Concrete Footing Pile

Element Number	Element Name	Total Qty	CS1 Qty	CS2 Qty	CS3 Qty	CS4 Qty	
226	Prestressed Concrete Pile	1	1	0	0	0	Each

Element Number	Defect Type	Defect Description	CS	CS Qty	Maint Qty	
226	Cracking (PSC)	U/W INSPECTION; MULTIPLE H/L CRACKS, MULTIPLE FACES, W/L DOWN 5'. GENERALLY THESE CRACKS ARE LOST IN THE SCALING AREA. SCALING TO 3/4" - 1" DEEP WITH LOOSE AGGREGATE X 360* FROM WATERLINE DOWN 5'. PILE HAS BEEN JACKETED.	1	1		Each

General Comments
PILE HAS BEEN JACKETED.

Bent 28 Foundation Pile 12

Prestressed Concrete Footing Pile

Element Number	Element Name	Total Qty	CS1 Qty	CS2 Qty	CS3 Qty	CS4 Qty	
226	Prestressed Concrete Pile	1	0	0	1	0	Each

Element Number	Defect Type	Defect Description	CS	CS Qty	Maint Qty	
226	Abrasion/Wear (PSC/RC)	U/W INSPECTION, SCALING TO 3/4" DEEP WITH LOOSE AGGREGATE X 360* FROM WATERLINE DOWN 5'.	3	1	1	Each

General Comments

Bent 29 Footing

Reinforced Concrete Footing

Element Number	Element Name	Total Qty	CS1 Qty	CS2 Qty	CS3 Qty	CS4 Qty	
220	Reinforced Concrete Pile Cap/Footing	32	0	32	0	0	Feet

Element Number	Defect Type	Defect Description	CS	CS Qty	Maint Qty	
220	Cracking (RC and Other)	U/W INSPECTION; MULTIPLE RANDOM HAIRLINE CRACKS ON THE BOTTOM OF THE FOOTING.	2	24		Feet
220	Patched Area	at Northwest, Northeast, and Southwest corners and North face, multiple sound patches [up to 1ft x 2ft]	2	8		Feet

General Comments

Bent 29 Cap 1

Reinforced Concrete Pier Cap

Element Number	Element Name	Total Qty	CS1 Qty	CS2 Qty	CS3 Qty	CS4 Qty	
234	Reinforced Concrete Pier Cap	29	9	20	0	0	Feet

Element Number	Defect Type	Defect Description	CS	CS Qty	Maint Qty	
234	Patched Area	BENT 29 CAP SOUTH FACE AND BOTTOM EDGE. sound patches	2	16		Feet
234	Patched Area	BENT 29 NORTH FACE UNDER BEAM 3. sound patches	2	4		Feet

General Comments

Bent 29 Foundation Pile 1

Prestressed Concrete Footing Pile

Element Number	Element Name	Total Qty	CS1 Qty	CS2 Qty	CS3 Qty	CS4 Qty
226	Prestressed Concrete Pile	1	1	0	0	0 Each

Element Number	Defect Type	Defect Description	CS	CS Qty	Maint Qty
226	Cracking (PSC)	U/W INSPECTION; MULTIPLE H/L CRACKS, MULTIPLE FACES, W/L DOWN 5'. GENERALLY THESE CRACKS ARE LOST IN THE SCALING AREA. SCALING TO 3/4" - 1" DEEP WITH LOOSE AGGREGATE X 360* FROM WATERLINE DOWN 5'. PILE HAS BEEN JACKETED.	1	1	Each

General Comments

PILE HAS BEEN JACKETED.

Bent 29 Pile 2

Reinforced Concrete Column

Element Number	Element Name	Total Qty	CS1 Qty	CS2 Qty	CS3 Qty	CS4 Qty
205	Reinforced Concrete Column	1	0	1	0	0 Each

Element Number	Defect Type	Defect Description	CS	CS Qty	Maint Qty
205	Patched Area	BENT 29 PILE 2 SOUTH FACE. sound patch	2	1	Each

General Comments

Bent 29 Foundation Pile 2

Prestressed Concrete Footing Pile

Element Number	Element Name	Total Qty	CS1 Qty	CS2 Qty	CS3 Qty	CS4 Qty
226	Prestressed Concrete Pile	1	0	0	1	0 Each

Element Number	Defect Type	Defect Description	CS	CS Qty	Maint Qty
226	Cracking (PSC)	U/W INSPECTION, MULTIPLE H/L - 1/16" CRACKS, MULTIPLE FACES, GENERALLY THESE CRACKS ARE LOST IN THE SCALING AREA. SCALING TO 1" DEEP WITH LOOSE AGGREGATE X 360* FROM WATERLINE DOWN 5'.	3	1	5 Each

General Comments

Bent 29 Foundation Pile 3

Prestressed Concrete Footing Pile

Element Number	Element Name	Total Qty	CS1 Qty	CS2 Qty	CS3 Qty	CS4 Qty
226	Prestressed Concrete Pile	1	0	0	1	0 Each

Element Number	Defect Type	Defect Description	CS	CS Qty	Maint Qty
226	Cracking (PSC)	U/W INSPECTION, MULTIPLE H/L CRACKS, MULTIPLE FACES, GENERALLY THESE CRACKS ARE LOST IN THE SCALING AREA. SCALING TO 1" DEEP WITH LOOSE AGGREGATE X 360* FROM WATERLINE DOWN 5'.	3	1	5 Each

General Comments

Bent 29 Foundation Pile 4

Prestressed Concrete Footing Pile

Element Number	Element Name	Total Qty	CS1 Qty	CS2 Qty	CS3 Qty	CS4 Qty
226	Prestressed Concrete Pile	1	0	0	1	0 Each

Element Number	Defect Type	Defect Description	CS	CS Qty	Maint Qty
226	Cracking (PSC)	U/W INSPECTION, MULTIPLE H/L CRACKS, MULTIPLE FACES, GENERALLY THESE CRACKS ARE LOST IN THE SCALING AREA. SCALING TO 3/4" DEEP WITH LOOSE AGGREGATE X 360* FROM WATERLINE DOWN 5'.	3	1	5 Each

General Comments

Bent 29 Foundation Pile 5

Prestressed Concrete Footing Pile

Element Number	Element Name	Total Qty	CS1 Qty	CS2 Qty	CS3 Qty	CS4 Qty
226	Prestressed Concrete Pile	1	1	0	0	0 Each

Element Number	Defect Type	Defect Description	CS	CS Qty	Maint Qty
226	Cracking (PSC)	U/W INSPECTION; MULTIPLE H/L CRACKS, MULTIPLE FACES, W/L DOWN 5', GENERALLY THESE CRACKS ARE LOST IN THE SCALING AREA. SCALING TO 3/4" - 1" DEEP WITH LOOSE AGGREGATE X 360* FROM WATERLINE DOWN 5'. PILE HAS BEEN JACKETED.	1	1	Each

General Comments

PILE HAS BEEN JACKETED.

Bent 29 Foundation Pile 6

Prestressed Concrete Footing Pile

Element Number	Element Name	Total Qty	CS1 Qty	CS2 Qty	CS3 Qty	CS4 Qty
226	Prestressed Concrete Pile	1	0	0	1	0 Each

Element Number	Defect Type	Defect Description	CS	CS Qty	Maint Qty
226	Cracking (PSC)	U/W INSPECTION, MULTIPLE H/L CRACKS, MULTIPLE FACES, GENERALLY THESE CRACKS ARE LOST IN THE SCALING AREA. SCALING TO 3/4" DEEP WITH LOOSE AGGREGATE X 360* FROM WATERLINE DOWN 5'.	3	1	5 Each

General Comments

Bent 29 Foundation Pile 7

Prestressed Concrete Footing Pile

Element Number	Element Name	Total Qty	CS1 Qty	CS2 Qty	CS3 Qty	CS4 Qty
226	Prestressed Concrete Pile	1	0	0	1	0 Each

Element Number	Defect Type	Defect Description	CS	CS Qty	Maint Qty
226	Cracking (PSC)	U/W INSPECTION, MULTIPLE H/L CRACKS, MULTIPLE FACES, GENERALLY THESE CRACKS ARE LOST IN THE SCALING AREA. SCALING TO 3/4" DEEP WITH LOOSE AGGREGATE X 360* FROM WATERLINE DOWN 5'.	3	1	5 Each

General Comments

Bent 29 Foundation Pile 8

Prestressed Concrete Footing Pile

Element Number	Element Name	Total Qty	CS1 Qty	CS2 Qty	CS3 Qty	CS4 Qty
226	Prestressed Concrete Pile	1	0	0	1	0 Each

Element Number	Defect Type	Defect Description	CS	CS Qty	Maint Qty
226	Abrasion/Wear (PSC/RC)	U/W INSPECTION, SCALING TO 1" DEEP WITH LOOSE AGGREGATE X 360* FROM WATERLINE DOWN 5'.	3	1	5 Each

General Comments

Bent 29 Foundation Pile 9

Prestressed Concrete Footing Pile

Element Number	Element Name	Total Qty	CS1 Qty	CS2 Qty	CS3 Qty	CS4 Qty
226	Prestressed Concrete Pile	1	0	0	1	0 Each

Element Number	Defect Type	Defect Description	CS	CS Qty	Maint Qty
226	Abrasion/Wear (PSC/RC)	U/W INSPECTION, SCALING TO 1" DEEP WITH LOOSE AGGREGATE X 360* FROM WATERLINE DOWN 5'.	3	1	5 Each

General Comments

Bent 29 Foundation Pile 10

Prestressed Concrete Footing Pile

Element Number	Element Name	Total Qty	CS1 Qty	CS2 Qty	CS3 Qty	CS4 Qty
226	Prestressed Concrete Pile	1	0	0	1	0 Each

Element Number	Defect Type	Defect Description	CS	CS Qty	Maint Qty
226	Cracking (PSC)	U/W INSPECTION, MULTIPLE H/L CRACKS, MULTIPLE FACES, GENERALLY THESE CRACKS ARE LOST IN THE SCALING AREA. SCALING TO 3/4" DEEP WITH LOOSE AGGREGATE X 360* FROM WATERLINE DOWN 5'.	3	1	5 Each

General Comments

Bent 30 Footing

Reinforced Concrete Footing

Element Number	Element Name	Total Qty	CS1 Qty	CS2 Qty	CS3 Qty	CS4 Qty
220	Reinforced Concrete Pile Cap/Footing	32	0	32	0	0 Feet

Element Number	Defect Type	Defect Description	CS	CS Qty	Maint Qty
220	Cracking (RC and Other)	along West face and North face, multiple vertical cracks [up to 1/32in x full height]	2	3	Feet
220	Cracking (RC and Other)	U/W INSPECTION; MULTIPLE RANDOM HAIRLINE CRACKS ON THE BOTTOM OF THE FOOTING.	2	29	Feet

General Comments

Bent 30 Cap 1**Reinforced Concrete Pier Cap**

Element Number	Element Name	Total Qty	CS1 Qty	CS2 Qty	CS3 Qty	CS4 Qty
234	Reinforced Concrete Pier Cap	29	0	29	0	0 Feet

Element Number	Defect Type	Defect Description	CS	CS Qty	Maint Qty
234	Patched Area	BENT 30 CAP NORTH FACE HAS SCATTERED PATCHED AREAS WITH FORMS LEFT IN PLACE.	2	10	Feet
234	Patched Area	BENT 30 CAP SOUTH FACE UNDER BEAM 4. sound patch [30in x 42in]	2	4	Feet
234	Patched Area	BENT 30 CAP SOUTH FACE. HAS SCATTERED PATCHED AREAS WITH SOME HAIRLINE CRACKS. PATCHES ARE SOUND.	2	9	Feet
234	Patched Area	BENT 30 CAP TOP AND SOUTH FACE BAY 2. sound patch [14in x 35in]	2	3	Feet
234	Patched Area	BENT 30 CAP TOP AND SOUTHWEST CORNER. sound patch [up to 36in x up to 22in]	2	3	Feet

General Comments

Bent 30 Foundation Pile 1**Prestressed Concrete Footing Pile**

Element Number	Element Name	Total Qty	CS1 Qty	CS2 Qty	CS3 Qty	CS4 Qty
226	Prestressed Concrete Pile	1	1	0	0	0 Each

Element Number	Defect Type	Defect Description	CS	CS Qty	Maint Qty
----------------	-------------	--------------------	----	--------	-----------

General Comments

PILE HAS BEEN JACKETED.

Bent 30 Pile 2**Reinforced Concrete Column**

Element Number	Element Name	Total Qty	CS1 Qty	CS2 Qty	CS3 Qty	CS4 Qty
205	Reinforced Concrete Column	1	0	1	0	0 Each

Element Number	Defect Type	Defect Description	CS	CS Qty	Maint Qty
205	Patched Area	BENT 30 PILE 2 NORTH FACE HAS A PATCHED AREA LOCATED 1' ABOVE FOOTING. PATCH HAS SCATTERED HAIRLINE CRACKS BUT IS SOUND.	2	1	Each

General Comments

Bent 30 Foundation Pile 2**Prestressed Concrete Footing Pile**

Element Number	Element Name	Total Qty	CS1 Qty	CS2 Qty	CS3 Qty	CS4 Qty
226	Prestressed Concrete Pile	1	0	0	1	0 Each

Element Number	Defect Type	Defect Description	CS	CS Qty	Maint Qty
226	Abrasion/Wear (PSC/RC)	U/W INSPECTION, SCALING TO 1" DEEP WITH LOOSE AGGREGATE X 360° FROM WATERLINE DOWN 5'.	3	1	5 Each

General Comments

Bent 30 Foundation Pile 3**Prestressed Concrete Footing Pile**

Element Number	Element Name	Total Qty	CS1 Qty	CS2 Qty	CS3 Qty	CS4 Qty	
226	Prestressed Concrete Pile	1	0	0	1	0	Each

Element Number	Defect Type	Defect Description	CS	CS Qty	Maint Qty	
226	Cracking (PSC)	U/W INSPECTION, MULTIPLE H/L - 1/32" CRACKS, MULTIPLE FACES, GENERALLY THESE CRACKS ARE LOST IN THE SCALING AREA. SCALING 1/2-3/4" DEEP WITH LOOSE AGGREGATE X 360* FROM WATERLINE DOWN 5'.	3	1	5	Each

General Comments

Bent 30 Foundation Pile 4**Prestressed Concrete Footing Pile**

Element Number	Element Name	Total Qty	CS1 Qty	CS2 Qty	CS3 Qty	CS4 Qty	
226	Prestressed Concrete Pile	1	1	0	0	0	Each

Element Number	Defect Type	Defect Description	CS	CS Qty	Maint Qty	
226	Cracking (PSC)	U/W INSPECTION; MULTIPLE H/L CRACKS, MULTIPLE FACES, W/L DOWN 5'. GENERALLY THESE CRACKS ARE LOST IN THE SCALING AREA. SCALING TO 3/4" - 1" DEEP WITH LOOSE AGGREGATE X 360* FROM WATERLINE DOWN 5'. PILE HAS BEEN JACKETED.	1	1		Each

General Comments

PILE HAS BEEN JACKETED.

Bent 30 Foundation Pile 5**Prestressed Concrete Footing Pile**

Element Number	Element Name	Total Qty	CS1 Qty	CS2 Qty	CS3 Qty	CS4 Qty	
226	Prestressed Concrete Pile	1	0	0	1	0	Each

Element Number	Defect Type	Defect Description	CS	CS Qty	Maint Qty	
226	Cracking (PSC)	U/W INSPECTION, MULTIPLE H/L CRACKS, MULTIPLE FACES, GENERALLY THESE CRACKS ARE LOST IN THE SCALING AREA. SCALING 1/2-3/4" DEEP WITH LOOSE AGGREGATE X 360* FROM WATERLINE DOWN 5'.	3	1	5	Each

General Comments

Bent 30 Foundation Pile 6**Prestressed Concrete Footing Pile**

Element Number	Element Name	Total Qty	CS1 Qty	CS2 Qty	CS3 Qty	CS4 Qty	
226	Prestressed Concrete Pile	1	1	0	0	0	Each

Element Number	Defect Type	Defect Description	CS	CS Qty	Maint Qty	
226	Cracking (PSC)	U/W INSPECTION; MULTIPLE H/L CRACKS, MULTIPLE FACES, W/L DOWN 5'. GENERALLY THESE CRACKS ARE LOST IN THE SCALING AREA. SCALING TO 3/4" - 1" DEEP WITH LOOSE AGGREGATE X 360* FROM WATERLINE DOWN 5'. PILE HAS BEEN JACKETED.	1	1		Each

General Comments

PILE HAS BEEN JACKETED.

Bent 30 Foundation Pile 7

Prestressed Concrete Footing Pile

Element Number	Element Name	Total Qty	CS1 Qty	CS2 Qty	CS3 Qty	CS4 Qty	
226	Prestressed Concrete Pile	1	1	0	0	0	Each

Element Number	Defect Type	Defect Description	CS	CS Qty	Maint Qty	
226	Cracking (PSC)	U/W INSPECTION; MULTIPLE H/L CRACKS, MULTIPLE FACES, W/L DOWN 5', GENERALLY THESE CRACKS ARE LOST IN THE SCALING AREA. SCALING TO 3/4" - 1" DEEP WITH LOOSE AGGREGATE X 360* FROM WATERLINE DOWN 5'. PILE HAS BEEN JACKETED.	1	1		Each

General Comments

PILE HAS BEEN JACKETED.

Bent 30 Foundation Pile 8

Prestressed Concrete Footing Pile

Element Number	Element Name	Total Qty	CS1 Qty	CS2 Qty	CS3 Qty	CS4 Qty	
226	Prestressed Concrete Pile	1	0	0	1	0	Each

Element Number	Defect Type	Defect Description	CS	CS Qty	Maint Qty	
226	Cracking (PSC)	U/W INSPECTION, MULTIPLE H/L - 1/32" CRACKS, MULTIPLE FACES, GENERALLY THESE CRACKS ARE LOST IN THE SCALING AREA. SCALING 1/2-3/4" DEEP WITH LOOSE AGGREGATE X 360* FROM WATERLINE DOWN 5'.	3	1	5	Each

General Comments

Bent 30 Foundation Pile 9

Prestressed Concrete Footing Pile

Element Number	Element Name	Total Qty	CS1 Qty	CS2 Qty	CS3 Qty	CS4 Qty	
226	Prestressed Concrete Pile	1	0	0	1	0	Each

Element Number	Defect Type	Defect Description	CS	CS Qty	Maint Qty	
226	Cracking (PSC)	U/W INSPECTION, MULTIPLE H/L - 1/32" CRACKS, MULTIPLE FACES, GENERALLY THESE CRACKS ARE LOST IN THE SCALING AREA. SCALING 1/2-3/4" DEEP WITH LOOSE AGGREGATE X 360* FROM WATERLINE DOWN 5'.	3	1	5	Each

General Comments

Bent 30 Foundation Pile 10

Prestressed Concrete Footing Pile

Element Number	Element Name	Total Qty	CS1 Qty	CS2 Qty	CS3 Qty	CS4 Qty	
226	Prestressed Concrete Pile	1	1	0	0	0	Each

Element Number	Defect Type	Defect Description	CS	CS Qty	Maint Qty	
----------------	-------------	--------------------	----	--------	-----------	--

General Comments

PILE HAS BEEN JACKETED.

Bent 31 Footing**Reinforced Concrete Footing**

Element Number	Element Name	Total Qty	CS1 Qty	CS2 Qty	CS3 Qty	CS4 Qty
220	Reinforced Concrete Pile Cap/Footing	31	0	31	0	0 Feet

Element Number	Defect Type	Defect Description	CS	CS Qty	Maint Qty
220	Cracking (RC and Other)	U/W INSPECTION; MULTIPLE RANDOM HAIRLINE CRACKS ON THE BOTTOM OF THE FOOTING.	2	31	Feet

General Comments

Bent 31 Cap 1**Reinforced Concrete Pier Cap**

Element Number	Element Name	Total Qty	CS1 Qty	CS2 Qty	CS3 Qty	CS4 Qty
234	Reinforced Concrete Pier Cap	29	5	24	0	0 Feet

Element Number	Defect Type	Defect Description	CS	CS Qty	Maint Qty
234	Cracking (RC and Other)	BENT 31 CAP HAS SCATTERED CRACKS. [up to 1/32in]	2	8	Feet
234	Patched Area	BENT 31 CAP HAS SCATTERED SOUND PATCHED AREAS WITH SOME HAIRLINE CRACKS.	2	16	Feet

General Comments

Bent 31 Pile 2**Reinforced Concrete Column**

Element Number	Element Name	Total Qty	CS1 Qty	CS2 Qty	CS3 Qty	CS4 Qty
205	Reinforced Concrete Column	1	0	1	0	0 Each

Element Number	Defect Type	Defect Description	CS	CS Qty	Maint Qty
205	Delamination/Spall	BENT 31 PILE 2 NORTHWEST CORNER HAS A CRACK AND DELAMINATED AREA WITH SOME EFFLO VISIBLE. AREA ON NORTH FACE IS: 7" x 58". AREA ON WEST FACE IS: 26" x 60"	2	1	5 Each

General Comments

Bent 31 Foundation Pile 1**Prestressed Concrete Footing Pile**

Element Number	Element Name	Total Qty	CS1 Qty	CS2 Qty	CS3 Qty	CS4 Qty
226	Prestressed Concrete Pile	1	0	0	1	0 Each

Element Number	Defect Type	Defect Description	CS	CS Qty	Maint Qty
226	Cracking (PSC)	U/W INSPECTION, MULTIPLE H/L - 1/32" CRACKS, MULTIPLE FACES, GENERALLY THESE CRACKS ARE LOST IN THE SCALING AREA. SCALING ti 1" DEEP WITH LOOSE AGGREGATE X 360° FROM WATERLINE DOWN 5'.	3	1	5 Each

General Comments

Bent 31 Foundation Pile 2**Prestressed Concrete Footing Pile**

Element Number	Element Name	Total Qty	CS1 Qty	CS2 Qty	CS3 Qty	CS4 Qty
226	Prestressed Concrete Pile	1	0	0	1	0 Each

Element Number	Defect Type	Defect Description	CS	CS Qty	Maint Qty
226	Abrasion/Wear (PSC/RC)	U/W INSPECTION, SCALING 1/2-3/4" DEEP WITH LOOSE AGGREGATE X 360° FROM WATERLINE DOWN 5'.	3	1	5 Each

General Comments

Bent 31 Foundation Pile 3**Prestressed Concrete Footing Pile**

Element Number	Element Name	Total Qty	CS1 Qty	CS2 Qty	CS3 Qty	CS4 Qty
226	Prestressed Concrete Pile	1	0	0	1	0 Each

Element Number	Defect Type	Defect Description	CS	CS Qty	Maint Qty
226	Cracking (PSC)	U/W INSPECTION, MULTIPLE H/L - 1/32" CRACKS, MULTIPLE FACES, GENERALLY THESE CRACKS ARE LOST IN THE SCALING AREA. SCALING TO 1" DEEP WITH LOOSE AGGREGATE X 360° FROM WATERLINE DOWN 5'.	3	1	5 Each

General Comments

Bent 31 Foundation Pile 4**Prestressed Concrete Footing Pile**

Element Number	Element Name	Total Qty	CS1 Qty	CS2 Qty	CS3 Qty	CS4 Qty
226	Prestressed Concrete Pile	1	0	0	1	0 Each

Element Number	Defect Type	Defect Description	CS	CS Qty	Maint Qty
226	Cracking (PSC)	U/W INSPECTION, MULTIPLE H/L - 1/32" CRACKS, MULTIPLE FACES, GENERALLY THESE CRACKS ARE LOST IN THE SCALING AREA. SCALING TO 1" DEEP WITH LOOSE AGGREGATE X 360° FROM WATERLINE DOWN 5'.	3	1	5 Each

General Comments

Bent 31 Foundation Pile 5**Prestressed Concrete Footing Pile**

Element Number	Element Name	Total Qty	CS1 Qty	CS2 Qty	CS3 Qty	CS4 Qty
226	Prestressed Concrete Pile	1	0	0	1	0 Each

Element Number	Defect Type	Defect Description	CS	CS Qty	Maint Qty
226	Abrasion/Wear (PSC/RC)	U/W INSPECTION, SCALING 1/2-3/4" DEEP WITH LOOSE AGGREGATE X 360° FROM WATERLINE DOWN 5'.	3	1	5 Each

General Comments

Bent 31 Foundation Pile 6

Prestressed Concrete Footing Pile

Element Number	Element Name	Total Qty	CS1 Qty	CS2 Qty	CS3 Qty	CS4 Qty
226	Prestressed Concrete Pile	1	0	0	1	0 Each

Element Number	Defect Type	Defect Description	CS	CS Qty	Maint Qty
226	Abrasion/Wear (PSC/RC)	U/W INSPECTION, SCALING 1/2-3/4" DEEP WITH LOOSE AGGREGATE X 360* FROM WATERLINE DOWN 5'.	3	1	5 Each

General Comments

Bent 31 Foundation Pile 7

Prestressed Concrete Footing Pile

Element Number	Element Name	Total Qty	CS1 Qty	CS2 Qty	CS3 Qty	CS4 Qty
226	Prestressed Concrete Pile	1	0	0	1	0 Each

Element Number	Defect Type	Defect Description	CS	CS Qty	Maint Qty
226	Cracking (PSC)	U/W INSPECTION, MULTIPLE H/L - 1/16" CRACKS, MULTIPLE FACES, GENERALLY THESE CRACKS ARE LOST IN THE SCALING AREA. SCALING 1/2-3/4" DEEP WITH LOOSE AGGREGATE X 360* FROM WATERLINE DOWN 5'.	3	1	5 Each

General Comments

Bent 31 Foundation Pile 8

Prestressed Concrete Footing Pile

Element Number	Element Name	Total Qty	CS1 Qty	CS2 Qty	CS3 Qty	CS4 Qty
226	Prestressed Concrete Pile	1	0	0	1	0 Each

Element Number	Defect Type	Defect Description	CS	CS Qty	Maint Qty
226	Abrasion/Wear (PSC/RC)	U/W INSPECTION, SCALING 1/2-3/4" DEEP WITH LOOSE AGGREGATE X 360* FROM WATERLINE DOWN 5'.	3	1	5 Each

General Comments

Bent 31 Foundation Pile 9

Prestressed Concrete Footing Pile

Element Number	Element Name	Total Qty	CS1 Qty	CS2 Qty	CS3 Qty	CS4 Qty
226	Prestressed Concrete Pile	1	1	0	0	0 Each

Element Number	Defect Type	Defect Description	CS	CS Qty	Maint Qty
----------------	-------------	--------------------	----	--------	-----------

General Comments

PILE HAS BEEN JACKETED.

Bent 31 Foundation Pile 10**Prestressed Concrete Footing Pile**

Element Number	Element Name	Total Qty	CS1 Qty	CS2 Qty	CS3 Qty	CS4 Qty
226	Prestressed Concrete Pile	1	1	0	0	0 Each

Element Number	Defect Type	Defect Description	CS	CS Qty	Maint Qty
----------------	-------------	--------------------	----	--------	-----------

General Comments

PILE HAS BEEN JACKETED.

Bent 32 Footing**Reinforced Concrete Footing**

Element Number	Element Name	Total Qty	CS1 Qty	CS2 Qty	CS3 Qty	CS4 Qty
220	Reinforced Concrete Pile Cap/Footing	31	0	31	0	0 Feet

Element Number	Defect Type	Defect Description	CS	CS Qty	Maint Qty
220	Cracking (RC and Other)	U/W INSPECTION; MULTIPLE RANDOM HAIRLINE CRACKS ON THE BOTTOM OF THE FOOTING.	2	31	Feet

General Comments

Bent 32 Cap 1**Reinforced Concrete Pier Cap**

Element Number	Element Name	Total Qty	CS1 Qty	CS2 Qty	CS3 Qty	CS4 Qty
234	Reinforced Concrete Pier Cap	29	9	20	0	0 Feet

Element Number	Defect Type	Defect Description	CS	CS Qty	Maint Qty
234	Cracking (RC and Other)	at West end, multiple vertical cracks [up to 18in x 1/32in]	2	2	Feet
234	Patched Area	BENT 32 CAP HAS SCATTERED PATCHED AREAS WITH SOME HAIRLINE CRACKS. PATCHES ARE SOUND.	2	18	Feet

General Comments

Bent 32 Foundation Pile 1**Prestressed Concrete Footing Pile**

Element Number	Element Name	Total Qty	CS1 Qty	CS2 Qty	CS3 Qty	CS4 Qty
226	Prestressed Concrete Pile	1	0	0	1	0 Each

Element Number	Defect Type	Defect Description	CS	CS Qty	Maint Qty
226	Cracking (PSC)	U/W INSPECTION, MULTIPLE H/L - 1/32" CRACKS, MULTIPLE FACES, GENERALLY THESE CRACKS ARE LOST IN THE SCALING AREA. SCALING 1/2-3/4" DEEP WITH LOOSE AGGREGATE X 360° FROM WATERLINE DOWN 4'.	3	1	4 Each

General Comments

Bent 32 Foundation Pile 2**Prestressed Concrete Footing Pile**

Element Number	Element Name	Total Qty	CS1 Qty	CS2 Qty	CS3 Qty	CS4 Qty
226	Prestressed Concrete Pile	1	0	0	1	0 Each

Element Number	Defect Type	Defect Description	CS	CS Qty	Maint Qty
226	Cracking (PSC)	U/W INSPECTION, MULTIPLE H/L - 1/32" CRACKS, MULTIPLE FACES, GENERALLY THESE CRACKS ARE LOST IN THE SCALING AREA. SCALING 1/2-3/4" DEEP WITH LOOSE AGGREGATE X 360* FROM WATERLINE DOWN 4'.	3	1	4 Each

General Comments

Bent 32 Foundation Pile 3**Prestressed Concrete Footing Pile**

Element Number	Element Name	Total Qty	CS1 Qty	CS2 Qty	CS3 Qty	CS4 Qty
226	Prestressed Concrete Pile	1	0	0	1	0 Each

Element Number	Defect Type	Defect Description	CS	CS Qty	Maint Qty
226	Cracking (PSC)	U/W INSPECTION, MULTIPLE H/L - 1/32" CRACKS, MULTIPLE FACES, GENERALLY THESE CRACKS ARE LOST IN THE SCALING AREA. SCALING 1/2-3/4" DEEP WITH LOOSE AGGREGATE X 360* FROM WATERLINE DOWN 4'.	3	1	4 Each

General Comments

Bent 32 Foundation Pile 4**Prestressed Concrete Footing Pile**

Element Number	Element Name	Total Qty	CS1 Qty	CS2 Qty	CS3 Qty	CS4 Qty
226	Prestressed Concrete Pile	1	0	0	1	0 Each

Element Number	Defect Type	Defect Description	CS	CS Qty	Maint Qty
226	Cracking (PSC)	U/W INSPECTION, MULTIPLE H/L - 1/32" CRACKS, MULTIPLE FACES, GENERALLY THESE CRACKS ARE LOST IN THE SCALING AREA. SCALING 1/2-3/4" DEEP WITH LOOSE AGGREGATE X 360* FROM WATERLINE DOWN 4'.	3	1	4 Each

General Comments

Bent 32 Foundation Pile 5**Prestressed Concrete Footing Pile**

Element Number	Element Name	Total Qty	CS1 Qty	CS2 Qty	CS3 Qty	CS4 Qty
226	Prestressed Concrete Pile	1	0	0	1	0 Each

Element Number	Defect Type	Defect Description	CS	CS Qty	Maint Qty
226	Abrasion/Wear (PSC/RC)	U/W INSPECTION, SCALING 1/2-3/4" DEEP WITH LOOSE AGGREGATE X 360* FROM WATERLINE DOWN 4'.	3	1	4 Each

General Comments

Bent 32 Foundation Pile 6

Prestressed Concrete Footing Pile

Element Number	Element Name	Total Qty	CS1 Qty	CS2 Qty	CS3 Qty	CS4 Qty
226	Prestressed Concrete Pile	1	0	0	1	0 Each

Element Number	Defect Type	Defect Description	CS	CS Qty	Maint Qty
226	Cracking (PSC)	U/W INSPECTION, MULTIPLE H/L CRACKS, MULTIPLE FACES, GENERALLY THESE CRACKS ARE LOST IN THE SCALING AREA. SCALING 1/2-3/4" DEEP WITH LOOSE AGGREGATE X 360* FROM WATERLINE DOWN 4'.	3	1	4 Each

General Comments

Bent 32 Foundation Pile 7

Prestressed Concrete Footing Pile

Element Number	Element Name	Total Qty	CS1 Qty	CS2 Qty	CS3 Qty	CS4 Qty
226	Prestressed Concrete Pile	1	0	0	1	0 Each

Element Number	Defect Type	Defect Description	CS	CS Qty	Maint Qty
226	Cracking (PSC)	U/W INSPECTION, MULTIPLE H/L - 1/16" CRACKS, MULTIPLE FACES, GENERALLY THESE CRACKS ARE LOST IN THE SCALING AREA. SCALING 1/2-3/4" DEEP WITH LOOSE AGGREGATE X 360* FROM WATERLINE DOWN 4'.	3	1	4 Each

General Comments

Bent 32 Foundation Pile 8

Prestressed Concrete Footing Pile

Element Number	Element Name	Total Qty	CS1 Qty	CS2 Qty	CS3 Qty	CS4 Qty
226	Prestressed Concrete Pile	1	0	0	1	0 Each

Element Number	Defect Type	Defect Description	CS	CS Qty	Maint Qty
226	Cracking (PSC)	U/W INSPECTION, MULTIPLE H/L - 1/16" CRACKS, MULTIPLE FACES, GENERALLY THESE CRACKS ARE LOST IN THE SCALING AREA. SCALING 1/2-3/4" DEEP WITH LOOSE AGGREGATE X 360* FROM WATERLINE DOWN 4'.	3	1	4 Each

General Comments

Bent 32 Foundation Pile 9

Prestressed Concrete Footing Pile

Element Number	Element Name	Total Qty	CS1 Qty	CS2 Qty	CS3 Qty	CS4 Qty
226	Prestressed Concrete Pile	1	0	0	1	0 Each

Element Number	Defect Type	Defect Description	CS	CS Qty	Maint Qty
226	Abrasion/Wear (PSC/RC)	U/W INSPECTION, SCALING TO 1" DEEP WITH LOOSE AGGREGATE X 360* FROM WATERLINE DOWN 4'.	3	1	4 Each

General Comments

Bent 32 Foundation Pile 10

Prestressed Concrete Footing Pile

Element Number	Element Name	Total Qty	CS1 Qty	CS2 Qty	CS3 Qty	CS4 Qty	
226	Prestressed Concrete Pile	1	1	0	0	0	Each

Element Number	Defect Type	Defect Description	CS	CS Qty	Maint Qty	
----------------	-------------	--------------------	----	--------	-----------	--

General Comments

PILE HAS BEEN JACKETED.

Bent 33 Cap 1

Reinforced Concrete Pier Cap

Element Number	Element Name	Total Qty	CS1 Qty	CS2 Qty	CS3 Qty	CS4 Qty	
234	Reinforced Concrete Pier Cap	29	8	20	1	0	Feet

Element Number	Defect Type	Defect Description	CS	CS Qty	Maint Qty	
234	Delamination/Spall	at East end of cap, spall [5in x 9in x up to 1in deep] with [1] one exposed rusted reinforcing [no section loss]	3	1	1	Feet
234	Patched Area	BENT 33 CAP HAS SCATTERED PATCHED AREAS WITH SOME HAIRLINE CRACKS. PATCHES ARE SOUND.	2	20		Feet

General Comments

Bent 33 Foundation Pile 1

Prestressed Concrete Footing Pile

Element Number	Element Name	Total Qty	CS1 Qty	CS2 Qty	CS3 Qty	CS4 Qty	
226	Prestressed Concrete Pile	1	0	0	1	0	Each

Element Number	Defect Type	Defect Description	CS	CS Qty	Maint Qty	
226	Cracking (PSC)	U/W INSPECTION, MULTIPLE H/L CRACKS, MULTIPLE FACES, GENERALLY THESE CRACKS ARE LOST IN THE SCALING AREA. SCALING 1/2-3/4" DEEP WITH LOOSE AGGREGATE X 360" FROM WATERLINE DOWN 4'.	3	1	3	Each

General Comments

Bent 33 Footing

Reinforced Concrete Footing

Element Number	Element Name	Total Qty	CS1 Qty	CS2 Qty	CS3 Qty	CS4 Qty	
220	Reinforced Concrete Pile Cap/Footing	31	0	31	0	0	Feet

Element Number	Defect Type	Defect Description	CS	CS Qty	Maint Qty	
220	Cracking (RC and Other)	U/W INSPECTION; MULTIPLE RANDOM HAIRLINE CRACKS ON THE BOTTOM OF THE FOOTING.	2	23		Feet
220	Patched Area	along North face and South face and at Northeast corner, multiple sound patches [up to 4ft x 1ft]	2	8		Feet

General Comments

Bent 33 Foundation Pile 2**Prestressed Concrete Footing Pile**

Element Number	Element Name	Total Qty	CS1 Qty	CS2 Qty	CS3 Qty	CS4 Qty	
226	Prestressed Concrete Pile	1	0	0	1	0	Each

Element Number	Defect Type	Defect Description	CS	CS Qty	Maint Qty	
226	Abrasion/Wear (PSC/RC)	U/W INSPECTION, SCALING 1/2-3/4" DEEP WITH LOOSE AGGREGATE X 360" FROM WATERLINE DOWN 4'.	3	1	3	Each

General Comments

Bent 33 Foundation Pile 3**Prestressed Concrete Footing Pile**

Element Number	Element Name	Total Qty	CS1 Qty	CS2 Qty	CS3 Qty	CS4 Qty	
226	Prestressed Concrete Pile	1	0	0	1	0	Each

Element Number	Defect Type	Defect Description	CS	CS Qty	Maint Qty	
226	Cracking (PSC)	U/W INSPECTION, MULTIPLE H/L CRACKS, MULTIPLE FACES, GENERALLY THESE CRACKS ARE LOST IN THE SCALING AREA. SCALING 1/2-3/4" DEEP WITH LOOSE AGGREGATE X 360" FROM WATERLINE DOWN 4'.	3	1	3	Each

General Comments

Bent 33 Foundation Pile 4**Prestressed Concrete Footing Pile**

Element Number	Element Name	Total Qty	CS1 Qty	CS2 Qty	CS3 Qty	CS4 Qty	
226	Prestressed Concrete Pile	1	0	0	1	0	Each

Element Number	Defect Type	Defect Description	CS	CS Qty	Maint Qty	
226	Abrasion/Wear (PSC/RC)	U/W INSPECTION, SCALING 1/2-3/4" DEEP WITH LOOSE AGGREGATE X 360" FROM WATERLINE DOWN 4'.	3	1	3	Each

General Comments

Bent 33 Foundation Pile 5**Prestressed Concrete Footing Pile**

Element Number	Element Name	Total Qty	CS1 Qty	CS2 Qty	CS3 Qty	CS4 Qty	
226	Prestressed Concrete Pile	1	0	0	1	0	Each

Element Number	Defect Type	Defect Description	CS	CS Qty	Maint Qty	
226	Cracking (PSC)	U/W INSPECTION, MULTIPLE H/L CRACKS, MULTIPLE FACES, GENERALLY THESE CRACKS ARE LOST IN THE SCALING AREA. SCALING 1/2-3/4" DEEP WITH LOOSE AGGREGATE X 360" FROM WATERLINE DOWN 4'.	3	1	3	Each

General Comments

Bent 33 Foundation Pile 6**Prestressed Concrete Footing Pile**

Element Number	Element Name	Total Qty	CS1 Qty	CS2 Qty	CS3 Qty	CS4 Qty	
226	Prestressed Concrete Pile	1	0	0	1	0	Each

Element Number	Defect Type	Defect Description	CS	CS Qty	Maint Qty	
226	Cracking (PSC)	U/W INSPECTION, MULTIPLE H/L -1/32" CRACKS, MULTIPLE FACES, GENERALLY THESE CRACKS ARE LOST IN THE SCALING AREA. SCALING 1/2-3/4" DEEP WITH LOOSE AGGREGATE X 360* FROM WATERLINE DOWN 4'.	3	1	3	Each

General Comments

Bent 33 Foundation Pile 7**Prestressed Concrete Footing Pile**

Element Number	Element Name	Total Qty	CS1 Qty	CS2 Qty	CS3 Qty	CS4 Qty	
226	Prestressed Concrete Pile	1	0	0	1	0	Each

Element Number	Defect Type	Defect Description	CS	CS Qty	Maint Qty	
226	Abrasion/Wear (PSC/RC)	U/W INSPECTION, SCALING 1/2-3/4" DEEP WITH LOOSE AGGREGATE X 360* FROM WATERLINE DOWN 4'.	3	1	3	Each

General Comments

Bent 33 Foundation Pile 8**Prestressed Concrete Footing Pile**

Element Number	Element Name	Total Qty	CS1 Qty	CS2 Qty	CS3 Qty	CS4 Qty	
226	Prestressed Concrete Pile	1	0	0	1	0	Each

Element Number	Defect Type	Defect Description	CS	CS Qty	Maint Qty	
226	Abrasion/Wear (PSC/RC)	U/W INSPECTION, SCALING 1/2-3/4" DEEP WITH LOOSE AGGREGATE X 360* FROM WATERLINE DOWN 4'.	3	1	3	Each

General Comments

Bent 33 Foundation Pile 9**Prestressed Concrete Footing Pile**

Element Number	Element Name	Total Qty	CS1 Qty	CS2 Qty	CS3 Qty	CS4 Qty	
226	Prestressed Concrete Pile	1	1	0	0	0	Each

Element Number	Defect Type	Defect Description	CS	CS Qty	Maint Qty	
226	Cracking (PSC)	U/W INSPECTION; MULTIPLE H/L CRACKS, MULTIPLE FACES, W/L DOWN 5'. GENERALLY THESE CRACKS ARE LOST IN THE SCALING AREA. SCALING TO 3/4" - 1" DEEP WITH LOOSE AGGREGATE X 360* FROM WATERLINE DOWN 5'. PILE HAS BEEN JACKETED.	1	1		Each

General Comments

PILE HAS BEEN JACKETED.

Bent 33 Foundation Pile 10**Prestressed Concrete Footing Pile**

Element Number	Element Name	Total Qty	CS1 Qty	CS2 Qty	CS3 Qty	CS4 Qty
226	Prestressed Concrete Pile	1	1	0	0	0 Each

Element Number	Defect Type	Defect Description	CS	CS Qty	Maint Qty
----------------	-------------	--------------------	----	--------	-----------

General Comments

PILE HAS BEEN JACKETED.

Bent 34 Footing**Reinforced Concrete Footing**

Element Number	Element Name	Total Qty	CS1 Qty	CS2 Qty	CS3 Qty	CS4 Qty
220	Reinforced Concrete Pile Cap/Footing	31	0	31	0	0 Feet

Element Number	Defect Type	Defect Description	CS	CS Qty	Maint Qty
220	Cracking (RC and Other)	BENT 34 FOOTING HAS SCATTERED CRACKS.	2	10	Feet
220	Cracking (RC and Other)	U/W INSPECTION; MULTIPLE RANDOM HAIRLINE CRACKS ON THE BOTTOM OF THE FOOTING.	2	21	Feet

General Comments

Bent 34 Cap 1**Reinforced Concrete Pier Cap**

Element Number	Element Name	Total Qty	CS1 Qty	CS2 Qty	CS3 Qty	CS4 Qty
234	Reinforced Concrete Pier Cap	29	14	12	3	0 Feet

Element Number	Defect Type	Defect Description	CS	CS Qty	Maint Qty
234	Delamination/Spall	BENT 34 CAP BOTTOM AND NORTH FACE UNDER BEAM 1. HAS A CRACK/SPALL AND DELAMINATED AREA. AREA IS: FROM BOTTOM EDGE BACK 5", FROM BOTTOM EDGE UP 27" x 26" x 1" DEEP.	3	3	3 Feet
234	Patched Area	BENT 34 CAP HAS SCATTERED PATCHED AREAS WITH SOME HAIRLINE CRACKS. PATCHES ARE SOUND.	2	12	Feet

General Comments

Bent 34 Foundation Pile 1**Prestressed Concrete Footing Pile**

Element Number	Element Name	Total Qty	CS1 Qty	CS2 Qty	CS3 Qty	CS4 Qty
226	Prestressed Concrete Pile	1	0	0	1	0 Each

Element Number	Defect Type	Defect Description	CS	CS Qty	Maint Qty
226	Abrasion/Wear (PSC/RC)	U/W INSPECTION, SCALING 1/2-1" DEEP WITH LOOSE AGGREGATE X 360° FROM WATERLINE DOWN 3'.	3	1	3 Each

General Comments

Bent 34 Foundation Pile 2

Prestressed Concrete Footing Pile

Element Number	Element Name	Total Qty	CS1 Qty	CS2 Qty	CS3 Qty	CS4 Qty
226	Prestressed Concrete Pile	1	0	0	1	0 Each

Element Number	Defect Type	Defect Description	CS	CS Qty	Maint Qty
226	Cracking (PSC)	U/W INSPECTION, MULTIPLE H/L -1/16" CRACKS, MULTIPLE FACES, GENERALLY THESE CRACKS ARE LOST IN THE SCALING AREA. SCALING 1/2-3/4" DEEP WITH LOOSE AGGREGATE X 360* FROM WATERLINE DOWN 3'.	3	1	3 Each

General Comments

Bent 34 Foundation Pile 3

Prestressed Concrete Footing Pile

Element Number	Element Name	Total Qty	CS1 Qty	CS2 Qty	CS3 Qty	CS4 Qty
226	Prestressed Concrete Pile	1	0	0	1	0 Each

Element Number	Defect Type	Defect Description	CS	CS Qty	Maint Qty
226	Abrasion/Wear (PSC/RC)	U/W INSPECTION, SCALING 1/2-1" DEEP WITH LOOSE AGGREGATE X 360* FROM WATERLINE DOWN 3'.	3	1	3 Each

General Comments

Bent 34 Foundation Pile 4

Prestressed Concrete Footing Pile

Element Number	Element Name	Total Qty	CS1 Qty	CS2 Qty	CS3 Qty	CS4 Qty
226	Prestressed Concrete Pile	1	0	0	1	0 Each

Element Number	Defect Type	Defect Description	CS	CS Qty	Maint Qty
226	Cracking (PSC)	U/W INSPECTION, MULTIPLE H/L CRACKS, MULTIPLE FACES, GENERALLY THESE CRACKS ARE LOST IN THE SCALING AREA. SCALING 1/2-3/4" DEEP WITH LOOSE AGGREGATE X 360* FROM WATERLINE DOWN 3'.	3	1	3 Each

General Comments

Bent 34 Foundation Pile 5

Prestressed Concrete Footing Pile

Element Number	Element Name	Total Qty	CS1 Qty	CS2 Qty	CS3 Qty	CS4 Qty
226	Prestressed Concrete Pile	1	0	0	1	0 Each

Element Number	Defect Type	Defect Description	CS	CS Qty	Maint Qty
226	Abrasion/Wear (PSC/RC)	U/W INSPECTION, SCALING 1/2-1" DEEP WITH LOOSE AGGREGATE X 360* FROM WATERLINE DOWN 3'.	3	1	3 Each

General Comments

Bent 34 Foundation Pile 6

Prestressed Concrete Footing Pile

Element Number	Element Name	Total Qty	CS1 Qty	CS2 Qty	CS3 Qty	CS4 Qty
226	Prestressed Concrete Pile	1	0	0	1	0 Each

Element Number	Defect Type	Defect Description	CS	CS Qty	Maint Qty
226	Cracking (PSC)	U/W INSPECTION, MULTIPLE H/L - 1/32" CRACKS, MULTIPLE FACES, GENERALLY THESE CRACKS ARE LOST IN THE SCALING AREA. SCALING 1/2-1" DEEP WITH LOOSE AGGREGATE X 360* FROM WATERLINE DOWN 3'.	3	1	3 Each

General Comments

Bent 34 Foundation Pile 7

Prestressed Concrete Footing Pile

Element Number	Element Name	Total Qty	CS1 Qty	CS2 Qty	CS3 Qty	CS4 Qty
226	Prestressed Concrete Pile	1	0	0	1	0 Each

Element Number	Defect Type	Defect Description	CS	CS Qty	Maint Qty
226	Cracking (PSC)	U/W INSPECTION, MULTIPLE H/L-1/32" CRACKS, MULTIPLE FACES, GENERALLY THESE CRACKS ARE LOST IN THE SCALING AREA. SCALING 1/2-3/4" DEEP WITH LOOSE AGGREGATE X 360* FROM WATERLINE DOWN 3'.	3	1	3 Each

General Comments

Bent 34 Foundation Pile 8

Prestressed Concrete Footing Pile

Element Number	Element Name	Total Qty	CS1 Qty	CS2 Qty	CS3 Qty	CS4 Qty
226	Prestressed Concrete Pile	1	0	0	1	0 Each

Element Number	Defect Type	Defect Description	CS	CS Qty	Maint Qty
226	Abrasion/Wear (PSC/RC)	U/W INSPECTION, SCALING 1/2-1" DEEP WITH LOOSE AGGREGATE X 360* FROM WATERLINE DOWN 3'.	3	1	3 Each

General Comments

Bent 34 Foundation Pile 9

Prestressed Concrete Footing Pile

Element Number	Element Name	Total Qty	CS1 Qty	CS2 Qty	CS3 Qty	CS4 Qty
226	Prestressed Concrete Pile	1	0	0	1	0 Each

Element Number	Defect Type	Defect Description	CS	CS Qty	Maint Qty
226	Cracking (PSC)	U/W INSPECTION, MULTIPLE H/L-1/32" CRACKS, MULTIPLE FACES, GENERALLY THESE CRACKS ARE LOST IN THE SCALING AREA. SCALING 1/2-3/4" DEEP WITH LOOSE AGGREGATE X 360* FROM WATERLINE DOWN 3'.	3	1	3 Each

General Comments

Bent 34 Foundation Pile 10**Prestressed Concrete Footing Pile**

Element Number	Element Name	Total Qty	CS1 Qty	CS2 Qty	CS3 Qty	CS4 Qty
226	Prestressed Concrete Pile	1	0	0	1	0 Each

Element Number	Defect Type	Defect Description	CS	CS Qty	Maint Qty
226	Cracking (PSC)	U/W INSPECTION, MULTIPLE H/L-1/16" CRACKS, MULTIPLE FACES, GENERALLY THESE CRACKS ARE LOST IN THE SCALING AREA. SCALING 1/2-1" DEEP WITH LOOSE AGGREGATE X 360* FROM WATERLINE DOWN 3'.	3	1	3 Each

General Comments

Bent 35 Cap 1**Reinforced Concrete Pier Cap**

Element Number	Element Name	Total Qty	CS1 Qty	CS2 Qty	CS3 Qty	CS4 Qty
234	Reinforced Concrete Pier Cap	29	6	20	3	0 Feet

Element Number	Defect Type	Defect Description	CS	CS Qty	Maint Qty
234	Delamination/Spall	South face of cap below beam 3, spall/delamination [26in x 10in x up to 3.5in]	3	3	3 Feet
234	Cracking (RC and Other)	BENT 35 CAP HAS SCATTERED CRACKS. [up to 2ft x up to 1/32in]	2	8	Feet
234	Patched Area	BENT 35 CAP HAS SCATTERED PATCHED AREAS WITH SOME HAIRLINE CRACKS. PATCHES ARE SOUND.	2	12	Feet

General Comments

Bent 35 Pile 1**Prestressed Concrete Pile**

Element Number	Element Name	Total Qty	CS1 Qty	CS2 Qty	CS3 Qty	CS4 Qty
226	Prestressed Concrete Pile	1	0	0	1	0 Each

Element Number	Defect Type	Defect Description	CS	CS Qty	Maint Qty
226	Delamination/Spall	U/W INSPECTION; PAR, SPALLED AREA TO 1 1/2" DEEP x 1' DIAMETER WITH MULTIPLE H/L-1/32" CRACKS, MULTIPLE FACES, GENERALLY THESE CRACKS ARE LOST IN THE SCALING AREA. SCALING 1/2-3/4" DEEP WITH LOOSE AGGREGATE X 360* FROM WATERLINE DOWN 2'.	3	1	2 Each

General Comments

Bent 35 Pile 2**Prestressed Concrete Pile**

Element Number	Element Name	Total Qty	CS1 Qty	CS2 Qty	CS3 Qty	CS4 Qty
226	Prestressed Concrete Pile	1	0	0	1	0 Each

Element Number	Defect Type	Defect Description	CS	CS Qty	Maint Qty
226	Cracking (PSC)	U/W INSPECTION, MULTIPLE H/L-1/16" CRACKS, MULTIPLE FACES, GENERALLY THESE CRACKS ARE LOST IN THE SCALING AREA. SCALING 1/2-3/4" DEEP WITH LOOSE AGGREGATE X 360* FROM WATERLINE DOWN 2'.	3	1	2 Each

General Comments

Bent 35 Pile 3

Prestressed Concrete Pile

Element Number	Element Name	Total Qty	CS1 Qty	CS2 Qty	CS3 Qty	CS4 Qty
226	Prestressed Concrete Pile	1	0	0	1	0 Each

Element Number	Defect Type	Defect Description	CS	CS Qty	Maint Qty
226	Cracking (PSC)	U/W INSPECTION, MULTIPLE H/L-1/16" CRACKS, MULTIPLE FACES, GENERALLY THESE CRACKS ARE LOST IN THE SCALING AREA. SCALING 1/2-3/4" DEEP WITH LOOSE AGGREGATE X 360* FROM WATERLINE DOWN 2'.	3	1	2 Each

General Comments

Bent 35 Pile 4

Prestressed Concrete Pile

Element Number	Element Name	Total Qty	CS1 Qty	CS2 Qty	CS3 Qty	CS4 Qty
226	Prestressed Concrete Pile	1	0	0	1	0 Each

Element Number	Defect Type	Defect Description	CS	CS Qty	Maint Qty
226	Cracking (PSC)	U/W INSPECTION, MULTIPLE H/L-1/16" CRACKS, MULTIPLE FACES, GENERALLY THESE CRACKS ARE LOST IN THE SCALING AREA. SCALING 1/2-3/4" DEEP WITH LOOSE AGGREGATE X 360* FROM WATERLINE DOWN 2'.	3	1	2 Each

General Comments

Bent 35 Pile 5

Prestressed Concrete Pile

Element Number	Element Name	Total Qty	CS1 Qty	CS2 Qty	CS3 Qty	CS4 Qty
226	Prestressed Concrete Pile	1	0	0	1	0 Each

Element Number	Defect Type	Defect Description	CS	CS Qty	Maint Qty
226	Cracking (PSC)	U/W INSPECTION, MULTIPLE H/L-1/16" CRACKS, MULTIPLE FACES, GENERALLY THESE CRACKS ARE LOST IN THE SCALING AREA. SCALING 1/2-3/4" DEEP WITH LOOSE AGGREGATE X 360* FROM WATERLINE DOWN 2'.	3	1	2 Each

General Comments

Bent 35 Pile 6

Prestressed Concrete Pile

Element Number	Element Name	Total Qty	CS1 Qty	CS2 Qty	CS3 Qty	CS4 Qty
226	Prestressed Concrete Pile	1	1	0	0	0 Each

Element Number	Defect Type	Defect Description	CS	CS Qty	Maint Qty
----------------	-------------	--------------------	----	--------	-----------

226	Cracking (PSC)	U/W INSPECTION, MULTIPLE H/L-1/16" CRACKS, MULTIPLE FACES, GENERALLY THESE CRACKS ARE LOST IN THE SCALING AREA. SCALING 1/2-3/4" DEEP WITH LOOSE AGGREGATE X 360* FROM WATERLINE DOWN 2'. PILE HAS BEEN JACKETED.	1	1	Each
-----	----------------	---	---	---	------

General Comments

PILE HAS BEEN JACKETED.

Bent 36 Cap 1**Reinforced Concrete Pier Cap**

Element Number	Element Name	Total Qty	CS1 Qty	CS2 Qty	CS3 Qty	CS4 Qty	
234	Reinforced Concrete Pier Cap	29	0	26	3	0	Feet

Element Number	Defect Type	Defect Description	CS	CS Qty	Maint Qty	
234	Delamination/Spall	BENT 36 CAP BOTTOM AND NORTH FACE AT PILE 4. HAS A CRACK/SPALL AND DELAMINATED AREA WITH REBAR VISIBLE. AREA IS: FROM BOTTOM EDGE UP 5", FROM BOTTOM EDGE BACK 7" x 29" x 2" DEEP.	3	3	3	Feet
234	Cracking (RC and Other)	BENT 36 CAP HAS SCATTERED CRACKS. [up to full height x up to 1/32in]	2	6		Feet
234	Delamination/Spall	North face under beam 3, delamination [24in x 15in]	2	2	2	Feet
234	Patched Area	BENT 36 CAP HAS SCATTERED PATCHED AREAS WITH SOME HAIRLINE CRACKS. PATCHES ARE SOUND.	2	18		Feet

General Comments

Bent 36 Pile 1**Prestressed Concrete Pile**

Element Number	Element Name	Total Qty	CS1 Qty	CS2 Qty	CS3 Qty	CS4 Qty	
226	Prestressed Concrete Pile	1	1	0	0	0	Each

Element Number	Defect Type	Defect Description	CS	CS Qty	Maint Qty	
226	Cracking (PSC)	U/W INSPECTION; MULTIPLE H/L CRACKS, MULTIPLE FACES, W/L DOWN 2'. GENERALLY THESE CRACKS ARE LOST IN THE SCALING AREA. SCALING TO 3/4" - 1" DEEP WITH LOOSE AGGREGATE X 360* FROM WATERLINE DOWN 2'. PILE HAS BEEN JACKETED.	1	1		Each

General Comments

PILE HAS BEEN JACKETED

Bent 36 Pile 2**Prestressed Concrete Pile**

Element Number	Element Name	Total Qty	CS1 Qty	CS2 Qty	CS3 Qty	CS4 Qty	
226	Prestressed Concrete Pile	1	1	0	0	0	Each

Element Number	Defect Type	Defect Description	CS	CS Qty	Maint Qty	
226	Cracking (PSC)	U/W INSPECTION; MULTIPLE H/L CRACKS, MULTIPLE FACES, W/L DOWN 2'. GENERALLY THESE CRACKS ARE LOST IN THE SCALING AREA. SCALING TO 3/4" - 1" DEEP WITH LOOSE AGGREGATE X 360* FROM WATERLINE DOWN 2'. PILE HAS BEEN JACKETED.	1	1		Each

General Comments

PILE HAS BEEN JACKETED

Bent 36 Pile 3

Prestressed Concrete Pile

Element Number	Element Name	Total Qty	CS1 Qty	CS2 Qty	CS3 Qty	CS4 Qty	
226	Prestressed Concrete Pile	1	1	0	0	0	Each

Element Number	Defect Type	Defect Description	CS	CS Qty	Maint Qty	
226	Cracking (PSC)	U/W INSPECTION; MULTIPLE H/L CRACKS, MULTIPLE FACES, W/L DOWN 2'. GENERALLY THESE CRACKS ARE LOST IN THE SCALING AREA. SCALING TO 3/4" - 1" DEEP WITH LOOSE AGGREGATE X 360* FROM WATERLINE DOWN 2'. PILE HAS BEEN JACKETED.	1	1		Each

General Comments

PILE HAS BEEN JACKETED

Bent 36 Pile 4

Prestressed Concrete Pile

Element Number	Element Name	Total Qty	CS1 Qty	CS2 Qty	CS3 Qty	CS4 Qty	
226	Prestressed Concrete Pile	1	1	0	0	0	Each

Element Number	Defect Type	Defect Description	CS	CS Qty	Maint Qty	
226	Cracking (PSC)	U/W INSPECTION; MULTIPLE H/L CRACKS, MULTIPLE FACES, W/L DOWN 2'. GENERALLY THESE CRACKS ARE LOST IN THE SCALING AREA. SCALING TO 3/4" - 1" DEEP WITH LOOSE AGGREGATE X 360* FROM WATERLINE DOWN 2'. PILE HAS BEEN JACKETED.	1	1		Each

General Comments

PILE HAS BEEN JACKETED

Bent 36 Pile 5

Prestressed Concrete Pile

Element Number	Element Name	Total Qty	CS1 Qty	CS2 Qty	CS3 Qty	CS4 Qty	
226	Prestressed Concrete Pile	1	1	0	0	0	Each

Element Number	Defect Type	Defect Description	CS	CS Qty	Maint Qty	
226	Cracking (PSC)	U/W INSPECTION; MULTIPLE H/L CRACKS, MULTIPLE FACES, W/L DOWN 2'. GENERALLY THESE CRACKS ARE LOST IN THE SCALING AREA. SCALING TO 3/4" - 1" DEEP WITH LOOSE AGGREGATE X 360* FROM WATERLINE DOWN 2'. PILE HAS BEEN JACKETED.	1	1		Each

General Comments

PILE HAS BEEN JACKETED

Bent 36 Pile 6

Prestressed Concrete Pile

Element Number	Element Name	Total Qty	CS1 Qty	CS2 Qty	CS3 Qty	CS4 Qty	
226	Prestressed Concrete Pile	1	1	0	0	0	Each

Element Number	Defect Type	Defect Description	CS	CS Qty	Maint Qty	
226	Cracking (PSC)	U/W INSPECTION; MULTIPLE H/L CRACKS, MULTIPLE FACES, W/L DOWN 2'. GENERALLY THESE CRACKS ARE LOST IN THE SCALING AREA. SCALING TO 3/4" - 1" DEEP WITH LOOSE AGGREGATE X 360* FROM WATERLINE DOWN 2'. PILE HAS BEEN JACKETED.	1	1		Each

General Comments

PILE HAS BEEN JACKETED

Bent 37 Cap 1**Reinforced Concrete Pier Cap**

Element Number	Element Name	Total Qty	CS1 Qty	CS2 Qty	CS3 Qty	CS4 Qty
234	Reinforced Concrete Pier Cap	29	14	15	0	0 Feet

Element Number	Defect Type	Defect Description	CS	CS Qty	Maint Qty
234	Patched Area	BENT 37 CAP HAS SCATTERED PATCHED AREAS WITH SOME HAIRLINE CRACKS. PATCHES ARE SOUND.	2	15	Feet

General Comments

Bent 37 Pile 1**Prestressed Concrete Pile**

Element Number	Element Name	Total Qty	CS1 Qty	CS2 Qty	CS3 Qty	CS4 Qty
226	Prestressed Concrete Pile	1	0	0	1	0 Each

Element Number	Defect Type	Defect Description	CS	CS Qty	Maint Qty
226	Cracking (PSC)	U/W INSPECTION, MULTIPLE H/L-1/16" CRACKS, MULTIPLE FACES, GENERALLY THESE CRACKS ARE LOST IN THE SCALING AREA. SCALING 1/2-3/4" DEEP WITH LOOSE AGGREGATE X 360* FROM WATERLINE DOWN 2'.	3	1	2 Each

General Comments

Bent 37 Pile 2**Prestressed Concrete Pile**

Element Number	Element Name	Total Qty	CS1 Qty	CS2 Qty	CS3 Qty	CS4 Qty
226	Prestressed Concrete Pile	1	0	0	1	0 Each

Element Number	Defect Type	Defect Description	CS	CS Qty	Maint Qty
226	Cracking (PSC)	U/W INSPECTION, MULTIPLE H/L-1/16" CRACKS, MULTIPLE FACES, GENERALLY THESE CRACKS ARE LOST IN THE SCALING AREA. SCALING 1/2-3/4" DEEP WITH LOOSE AGGREGATE X 360* FROM WATERLINE DOWN 2'.	3	1	2 Each

General Comments

Bent 37 Pile 3**Prestressed Concrete Pile**

Element Number	Element Name	Total Qty	CS1 Qty	CS2 Qty	CS3 Qty	CS4 Qty
226	Prestressed Concrete Pile	1	0	0	1	0 Each

Element Number	Defect Type	Defect Description	CS	CS Qty	Maint Qty
226	Cracking (PSC)	U/W INSPECTION, MULTIPLE H/L-1/16" CRACKS, MULTIPLE FACES, GENERALLY THESE CRACKS ARE LOST IN THE SCALING AREA. SCALING 1/2-3/4" DEEP WITH LOOSE AGGREGATE X 360* FROM WATERLINE DOWN 2'.	3	1	2 Each

General Comments

Bent 37 Pile 4**Prestressed Concrete Pile**

Element Number	Element Name	Total Qty	CS1 Qty	CS2 Qty	CS3 Qty	CS4 Qty	
226	Prestressed Concrete Pile	1	0	0	1	0	Each

Element Number	Defect Type	Defect Description	CS	CS Qty	Maint Qty	
226	Cracking (PSC)	U/W INSPECTION, MULTIPLE H/L-1/16" CRACKS, MULTIPLE FACES, GENERALLY THESE CRACKS ARE LOST IN THE SCALING AREA. SCALING 1/2-3/4" DEEP WITH LOOSE AGGREGATE X 360* FROM WATERLINE DOWN 2'.	3	1	2	Each

General Comments

Bent 37 Pile 5**Prestressed Concrete Pile**

Element Number	Element Name	Total Qty	CS1 Qty	CS2 Qty	CS3 Qty	CS4 Qty	
226	Prestressed Concrete Pile	1	0	0	1	0	Each

Element Number	Defect Type	Defect Description	CS	CS Qty	Maint Qty	
226	Cracking (PSC)	U/W INSPECTION, MULTIPLE H/L-1/16" CRACKS, MULTIPLE FACES, GENERALLY THESE CRACKS ARE LOST IN THE SCALING AREA. SCALING 1/2-3/4" DEEP WITH LOOSE AGGREGATE X 360* FROM WATERLINE DOWN 2'.	3	1	2	Each

General Comments

Bent 37 Pile 6**Prestressed Concrete Pile**

Element Number	Element Name	Total Qty	CS1 Qty	CS2 Qty	CS3 Qty	CS4 Qty	
226	Prestressed Concrete Pile	1	0	0	1	0	Each

Element Number	Defect Type	Defect Description	CS	CS Qty	Maint Qty	
226	Cracking (PSC)	U/W INSPECTION, MULTIPLE H/L-1/16" CRACKS, MULTIPLE FACES, GENERALLY THESE CRACKS ARE LOST IN THE SCALING AREA. SCALING 1/2-3/4" DEEP WITH LOOSE AGGREGATE X 360* FROM WATERLINE DOWN 2'.	3	1	2	Each

General Comments

Bent 38 Cap 1**Reinforced Concrete Pier Cap**

Element Number	Element Name	Total Qty	CS1 Qty	CS2 Qty	CS3 Qty	CS4 Qty	
234	Reinforced Concrete Pier Cap	29	7	22	0	0	Feet

Element Number	Defect Type	Defect Description	CS	CS Qty	Maint Qty	
234	Delamination/Spall	BENT 38 CAP SOUTH FACE AT BEAM 2. HAS A CRACKED AND DELAMINATED AREA. AREA IS: FROM TOP EDGE BACK 5", FROM TOP EDGE DOWN 14" x 46".	2	4	4	Feet
234	Patched Area	BENT 38 CAP HAS SCATTERED PATCHED AREAS WITH SOME HAIRLINE CRACKS. PATCHES ARE SOUND.	2	18		Feet

General Comments

Bent 38 Pile 1**Prestressed Concrete Pile**

Element Number	Element Name	Total Qty	CS1 Qty	CS2 Qty	CS3 Qty	CS4 Qty
226	Prestressed Concrete Pile	1	0	0	1	0 Each

Element Number	Defect Type	Defect Description	CS	CS Qty	Maint Qty
226	Cracking (PSC)	U/W INSPECTION, MULTIPLE H/L CRACKS, MULTIPLE FACES, GENERALLY THESE CRACKS ARE LOST IN THE SCALING AREA. SCALING 1/2-3/4" DEEP WITH LOOSE AGGREGATE X 360* FROM WATERLINE DOWN 2'.	3	1	2 Each

General Comments

Bent 38 Pile 2**Prestressed Concrete Pile**

Element Number	Element Name	Total Qty	CS1 Qty	CS2 Qty	CS3 Qty	CS4 Qty
226	Prestressed Concrete Pile	1	0	0	1	0 Each

Element Number	Defect Type	Defect Description	CS	CS Qty	Maint Qty
226	Abrasion/Wear (PSC/RC)	U/W INSPECTION, SCALING 1/2-3/4" DEEP WITH LOOSE AGGREGATE X 360* FROM WATERLINE DOWN 2'.	3	1	2 Each

General Comments

Bent 38 Pile 3**Prestressed Concrete Pile**

Element Number	Element Name	Total Qty	CS1 Qty	CS2 Qty	CS3 Qty	CS4 Qty
226	Prestressed Concrete Pile	1	0	0	1	0 Each

Element Number	Defect Type	Defect Description	CS	CS Qty	Maint Qty
226	Cracking (PSC)	U/W INSPECTION, MULTIPLE H/L CRACKS, MULTIPLE FACES, GENERALLY THESE CRACKS ARE LOST IN THE SCALING AREA. SCALING 1/2-3/4" DEEP WITH LOOSE AGGREGATE X 360* FROM WATERLINE DOWN 2'.	3	1	2 Each

General Comments

Bent 38 Pile 4**Prestressed Concrete Pile**

Element Number	Element Name	Total Qty	CS1 Qty	CS2 Qty	CS3 Qty	CS4 Qty
226	Prestressed Concrete Pile	1	0	0	1	0 Each

Element Number	Defect Type	Defect Description	CS	CS Qty	Maint Qty
226	Cracking (PSC)	U/W INSPECTION, MULTIPLE H/L CRACKS, MULTIPLE FACES, GENERALLY THESE CRACKS ARE LOST IN THE SCALING AREA. SCALING 1/2-3/4" DEEP WITH LOOSE AGGREGATE X 360* FROM WATERLINE DOWN 2'.	3	1	2 Each

General Comments

Bent 38 Pile 5

Prestressed Concrete Pile

Element Number	Element Name	Total Qty	CS1 Qty	CS2 Qty	CS3 Qty	CS4 Qty
226	Prestressed Concrete Pile	1	0	0	1	0 Each

Element Number	Defect Type	Defect Description	CS	CS Qty	Maint Qty
226	Cracking (PSC)	U/W INSPECTION, MULTIPLE H/L-1/32" CRACKS, MULTIPLE FACES, GENERALLY THESE CRACKS ARE LOST IN THE SCALING AREA. SCALING 1/2-3/4" DEEP WITH LOOSE AGGREGATE X 360* FROM WATERLINE DOWN 2'.	3	1	2 Each

General Comments

Bent 38 Pile 6

Prestressed Concrete Pile

Element Number	Element Name	Total Qty	CS1 Qty	CS2 Qty	CS3 Qty	CS4 Qty
226	Prestressed Concrete Pile	1	0	0	1	0 Each

Element Number	Defect Type	Defect Description	CS	CS Qty	Maint Qty
226	Abrasion/Wear (PSC/RC)	U/W INSPECTION, SCALING 1/2-3/4" DEEP WITH LOOSE AGGREGATE X 360* FROM WATERLINE DOWN 2'.	3	1	2 Each

General Comments

Bent 38 Pile 7

Prestressed Concrete Pile

Element Number	Element Name	Total Qty	CS1 Qty	CS2 Qty	CS3 Qty	CS4 Qty
226	Prestressed Concrete Pile	1	1	0	0	0 Each

Element Number	Defect Type	Defect Description	CS	CS Qty	Maint Qty
----------------	-------------	--------------------	----	--------	-----------

General Comments

PILE HAS BEEN JACKETED.

Bent 39 Cap 1

Reinforced Concrete Pier Cap

Element Number	Element Name	Total Qty	CS1 Qty	CS2 Qty	CS3 Qty	CS4 Qty
234	Reinforced Concrete Pier Cap	29	11	18	0	0 Feet

Element Number	Defect Type	Defect Description	CS	CS Qty	Maint Qty
234	Patched Area	BENT 39 CAP BOTTOM AND NORTHWEST CORNER. sound patch	2	3	Feet
234	Patched Area	BENT 39 CAP NORTH FACE BAY 2 UNDER BEAM 2. sound patch	2	3	Feet
234	Patched Area	BENT 39 CAP SOUTH FACE HAS A SPALLED AREA WITH REBAR EXPOSED. sound patch	2	12	Feet

General Comments

Bent 39 Pile 1

Prestressed Concrete Pile

Element Number	Element Name	Total Qty	CS1 Qty	CS2 Qty	CS3 Qty	CS4 Qty	
226	Prestressed Concrete Pile	1	1	0	0	0	Each

Element Number	Defect Type	Defect Description	CS	CS Qty	Maint Qty	
226	Abrasion/Wear (PSC/RC)	SCALING TO 1/2" TO 3/4" DEEP WITH LOOSE AGGREGATE, WATERLINE DOWN 3'. PILE HAS BEEN JACKETED.	1	1		Each

General Comments

PILE HAS BEEN JACKETED

Bent 39 Pile 2

Prestressed Concrete Pile

Element Number	Element Name	Total Qty	CS1 Qty	CS2 Qty	CS3 Qty	CS4 Qty	
226	Prestressed Concrete Pile	1	0	0	1	0	Each

Element Number	Defect Type	Defect Description	CS	CS Qty	Maint Qty	
226	Cracking (PSC)	U/W INSPECTION, MULTIPLE H/L CRACKS, MULTIPLE FACES, GENERALLY THESE CRACKS ARE LOST IN THE SCALING AREA. SCALING 1/2-1" DEEP WITH LOOSE AGGREGATE X 360" FROM WATERLINE DOWN 3'.	3	1	3	Each

General Comments

Bent 39 Pile 3

Prestressed Concrete Pile

Element Number	Element Name	Total Qty	CS1 Qty	CS2 Qty	CS3 Qty	CS4 Qty	
226	Prestressed Concrete Pile	1	0	0	1	0	Each

Element Number	Defect Type	Defect Description	CS	CS Qty	Maint Qty	
226	Cracking (PSC)	U/W INSPECTION, MULTIPLE H/L-1/32" CRACKS, MULTIPLE FACES, GENERALLY THESE CRACKS ARE LOST IN THE SCALING AREA. SCALING 1/2-1" DEEP WITH LOOSE AGGREGATE X 360" FROM WATERLINE DOWN 3'.	3	1	3	Each

General Comments

Bent 39 Pile 4

Prestressed Concrete Pile

Element Number	Element Name	Total Qty	CS1 Qty	CS2 Qty	CS3 Qty	CS4 Qty	
226	Prestressed Concrete Pile	1	0	0	1	0	Each

Element Number	Defect Type	Defect Description	CS	CS Qty	Maint Qty	
226	Cracking (PSC)	U/W INSPECTION, MULTIPLE H/L CRACKS, MULTIPLE FACES, GENERALLY THESE CRACKS ARE LOST IN THE SCALING AREA. SCALING 1/2-1" DEEP WITH LOOSE AGGREGATE X 360" FROM WATERLINE DOWN 3'.	3	1	3	Each

General Comments

Bent 39 Pile 5

Prestressed Concrete Pile

Element Number	Element Name	Total Qty	CS1 Qty	CS2 Qty	CS3 Qty	CS4 Qty	
226	Prestressed Concrete Pile	1	0	0	1	0	Each

Element Number	Defect Type	Defect Description	CS	CS Qty	Maint Qty	
226	Cracking (PSC)	U/W INSPECTION, MULTIPLE H/L 1/32" CRACKS, MULTIPLE FACES, GENERALLY THESE CRACKS ARE LOST IN THE SCALING AREA. SCALING 1/2-1" DEEP WITH LOOSE AGGREGATE X 360* FROM WATERLINE DOWN 3'.	3	1	3	Each

General Comments

Bent 39 Pile 6

Prestressed Concrete Pile

Element Number	Element Name	Total Qty	CS1 Qty	CS2 Qty	CS3 Qty	CS4 Qty	
226	Prestressed Concrete Pile	1	1	0	0	0	Each

Element Number	Defect Type	Defect Description	CS	CS Qty	Maint Qty	
226	Abrasion/Wear (PSC/RC)	U/W INSPECTION, MULTIPLE H/L CRACKS, MULTIPLE FACES, GENERALLY THESE CRACKS ARE LOST IN THE SCALING AREA. SCALING 1/2-1" DEEP WITH LOOSE AGGREGATE X 360* FROM WATERLINE DOWN 3'. PILE HAS BEEN JACKETED.	1	1		Each

General Comments

PILE HAS BEEN JACKETED

Bent 40 Cap 1

Reinforced Concrete Pier Cap

Element Number	Element Name	Total Qty	CS1 Qty	CS2 Qty	CS3 Qty	CS4 Qty	
234	Reinforced Concrete Pier Cap	29	16	13	0	0	Feet

Element Number	Defect Type	Defect Description	CS	CS Qty	Maint Qty	
234	Patched Area	BENT 40 CAP BOTTOM AND NORTH FACE AT PILE 1. sound patch	2	4		Feet
234	Patched Area	BENT 40 CAP BOTTOM AND SOUTHWEST CORNER. sound patches [up to 8in x up to 22in]	2	2		Feet
234	Patched Area	BENT 40 CAP SOUTH FACE UNDER BEAMS 2, 3 AND 4. sound patches	2	7		Feet

General Comments

Bent 40 Pile 1

Prestressed Concrete Pile

Element Number	Element Name	Total Qty	CS1 Qty	CS2 Qty	CS3 Qty	CS4 Qty	
226	Prestressed Concrete Pile	1	1	0	0	0	Each

Element Number	Defect Type	Defect Description	CS	CS Qty	Maint Qty	
226	Abrasion/Wear (PSC/RC)	U/W INSPECTION, MULTIPLE H/L-1/32" CRACKS, MULTIPLE FACES, GENERALLY THESE CRACKS ARE LOST IN THE SCALING AREA. SCALING 1/2-1" DEEP WITH LOOSE AGGREGATE X 360* FROM WATERLINE DOWN 3'. PILE HAS BEEN JACKETED	1	1		Each

General Comments

PILE HAS BEEN JACKETED.

Bent 40 Pile 2**Prestressed Concrete Pile**

Element Number	Element Name	Total Qty	CS1 Qty	CS2 Qty	CS3 Qty	CS4 Qty
226	Prestressed Concrete Pile	1	0	0	1	0 Each

Element Number	Defect Type	Defect Description	CS	CS Qty	Maint Qty
226	Cracking (PSC)	U/W INSPECTION, MULTIPLE H/L CRACKS, MULTIPLE FACES, GENERALLY THESE CRACKS ARE LOST IN THE SCALING AREA. SCALING 1/2-1" DEEP WITH LOOSE AGGREGATE X 360* FROM WATERLINE DOWN 3'.	3	1	3 Each

General Comments

Bent 40 Pile 3**Prestressed Concrete Pile**

Element Number	Element Name	Total Qty	CS1 Qty	CS2 Qty	CS3 Qty	CS4 Qty
226	Prestressed Concrete Pile	1	0	0	1	0 Each

Element Number	Defect Type	Defect Description	CS	CS Qty	Maint Qty
226	Cracking (PSC)	U/W INSPECTION, MULTIPLE H/L-1/32" CRACKS, MULTIPLE FACES, GENERALLY THESE CRACKS ARE LOST IN THE SCALING AREA. SCALING 1/2-1" DEEP WITH LOOSE AGGREGATE X 360* FROM WATERLINE DOWN 3'.	3	1	3 Each

General Comments

Bent 40 Pile 4**Prestressed Concrete Pile**

Element Number	Element Name	Total Qty	CS1 Qty	CS2 Qty	CS3 Qty	CS4 Qty
226	Prestressed Concrete Pile	1	0	0	1	0 Each

Element Number	Defect Type	Defect Description	CS	CS Qty	Maint Qty
226	Cracking (PSC)	U/W INSPECTION, MULTIPLE H/L CRACKS, MULTIPLE FACES, GENERALLY THESE CRACKS ARE LOST IN THE SCALING AREA. SCALING 1/2-1" DEEP WITH LOOSE AGGREGATE X 360* FROM WATERLINE DOWN 3'.	3	1	3 Each

General Comments

Bent 40 Pile 5**Prestressed Concrete Pile**

Element Number	Element Name	Total Qty	CS1 Qty	CS2 Qty	CS3 Qty	CS4 Qty
226	Prestressed Concrete Pile	1	0	0	1	0 Each

Element Number	Defect Type	Defect Description	CS	CS Qty	Maint Qty
226	Cracking (PSC)	U/W INSPECTION, MULTIPLE H/L CRACKS, MULTIPLE FACES, GENERALLY THESE CRACKS ARE LOST IN THE SCALING AREA. SCALING 1/2-1" DEEP WITH LOOSE AGGREGATE X 360* FROM WATERLINE DOWN 3'.	3	1	3 Each

General Comments

Bent 40

Pile 6

Prestressed Concrete Pile

Element Number	Element Name	Total Qty	CS1 Qty	CS2 Qty	CS3 Qty	CS4 Qty	
226	Prestressed Concrete Pile	1	1	0	0	0	Each

Element Number	Defect Type	Defect Description	CS	CS Qty	Maint Qty	
226	Abrasion/Wear (PSC/RC)	U/W INSPECTION, MULTIPLE H/L CRACKS, MULTIPLE FACES, GENERALLY THESE CRACKS ARE LOST IN THE SCALING AREA. SCALING 1/2-1" DEEP WITH LOOSE AGGREGATE X 360* FROM WATERLINE DOWN 3'. PILE HAS BEEN JACKETED	1	1		Each

General Comments

PILE HAS BEEN JACKETED

Bent 41

Cap 1

Reinforced Concrete Pier Cap

Element Number	Element Name	Total Qty	CS1 Qty	CS2 Qty	CS3 Qty	CS4 Qty	
234	Reinforced Concrete Pier Cap	29	0	29	0	0	Feet

Element Number	Defect Type	Defect Description	CS	CS Qty	Maint Qty	
234	Patched Area	throughout cap, multiple sound patches [up to full height]	2	29		Feet

General Comments

Bent 41

Pile 1

Prestressed Concrete Pile

Element Number	Element Name	Total Qty	CS1 Qty	CS2 Qty	CS3 Qty	CS4 Qty	
226	Prestressed Concrete Pile	1	0	0	1	0	Each

Element Number	Defect Type	Defect Description	CS	CS Qty	Maint Qty	
226	Cracking (PSC)	U/W INSPECTION, MULTIPLE H/L CRACKS, MULTIPLE FACES, GENERALLY THESE CRACKS ARE LOST IN THE SCALING AREA. SCALING 1/2-1" DEEP WITH LOOSE AGGREGATE X 360* FROM WATERLINE DOWN 3'.	3	1	3	Each

General Comments

Bent 41

Pile 2

Prestressed Concrete Pile

Element Number	Element Name	Total Qty	CS1 Qty	CS2 Qty	CS3 Qty	CS4 Qty	
226	Prestressed Concrete Pile	1	0	0	1	0	Each

Element Number	Defect Type	Defect Description	CS	CS Qty	Maint Qty	
226	Abrasion/Wear (PSC/RC)	U/W INSPECTION, SCALING 1/2-1" DEEP WITH LOOSE AGGREGATE X 360* FROM WATERLINE DOWN 3'.	3	1	3	Each

General Comments

Bent 41 Pile 3**Prestressed Concrete Pile**

Element Number	Element Name	Total Qty	CS1 Qty	CS2 Qty	CS3 Qty	CS4 Qty
226	Prestressed Concrete Pile	1	0	0	1	0 Each

Element Number	Defect Type	Defect Description	CS	CS Qty	Maint Qty
226	Cracking (PSC)	U/W INSPECTION, MULTIPLE H/L CRACKS, MULTIPLE FACES, GENERALLY THESE CRACKS ARE LOST IN THE SCALING AREA. SCALING 1/2-1" DEEP WITH LOOSE AGGREGATE X 360° FROM WATERLINE DOWN 3'.	3	1	3 Each

General Comments

Bent 41 Pile 4**Prestressed Concrete Pile**

Element Number	Element Name	Total Qty	CS1 Qty	CS2 Qty	CS3 Qty	CS4 Qty
226	Prestressed Concrete Pile	1	0	0	1	0 Each

Element Number	Defect Type	Defect Description	CS	CS Qty	Maint Qty
226	Cracking (PSC)	U/W INSPECTION, MULTIPLE H/L-1/32" CRACKS, MULTIPLE FACES, GENERALLY THESE CRACKS ARE LOST IN THE SCALING AREA. SCALING 1/2-1" DEEP WITH LOOSE AGGREGATE X 360° FROM WATERLINE DOWN 3'.	3	1	3 Each

General Comments

Bent 41 Pile 5**Prestressed Concrete Pile**

Element Number	Element Name	Total Qty	CS1 Qty	CS2 Qty	CS3 Qty	CS4 Qty
226	Prestressed Concrete Pile	1	0	0	1	0 Each

Element Number	Defect Type	Defect Description	CS	CS Qty	Maint Qty
226	Cracking (PSC)	U/W INSPECTION, MULTIPLE H/L CRACKS, MULTIPLE FACES, GENERALLY THESE CRACKS ARE LOST IN THE SCALING AREA. SCALING 1/2-1" DEEP WITH LOOSE AGGREGATE X 360° FROM WATERLINE DOWN 3'.	3	1	3 Each

General Comments

Bent 41 Pile 6**Prestressed Concrete Pile**

Element Number	Element Name	Total Qty	CS1 Qty	CS2 Qty	CS3 Qty	CS4 Qty
226	Prestressed Concrete Pile	1	0	0	1	0 Each

Element Number	Defect Type	Defect Description	CS	CS Qty	Maint Qty
226	Cracking (PSC)	U/W INSPECTION, MULTIPLE H/L 1/32" CRACKS, MULTIPLE FACES, GENERALLY THESE CRACKS ARE LOST IN THE SCALING AREA. SCALING 1/2-1" DEEP WITH LOOSE AGGREGATE X 360° FROM WATERLINE DOWN 3'.	3	1	3 Each

General Comments

Bent 42 Cap 1**Reinforced Concrete Pier Cap**

Element Number	Element Name	Total Qty	CS1 Qty	CS2 Qty	CS3 Qty	CS4 Qty
234	Reinforced Concrete Pier Cap	29	12	17	0	0 Feet

Element Number	Defect Type	Defect Description	CS	CS Qty	Maint Qty
234	Patched Area	BENT 42 CAP BOTTOM AND NORTH FACE BAY 2 AT PILE 4. sound patch	2	4	Feet
234	Patched Area	BENT 42 CAP BOTTOM AND SOUTHEAST CORNER. sound patch	2	3	Feet
234	Patched Area	BENT 42 CAP HAS SCATTERED PATCHED AREAS WITH HAIRLINE CRACKS. PATCHES APPEAR TO BE SOUND.	2	10	Feet

General Comments

Bent 42 Pile 1**Prestressed Concrete Pile**

Element Number	Element Name	Total Qty	CS1 Qty	CS2 Qty	CS3 Qty	CS4 Qty
226	Prestressed Concrete Pile	1	0	0	1	0 Each

Element Number	Defect Type	Defect Description	CS	CS Qty	Maint Qty
226	Abrasion/Wear (PSC/RC)	U/W INSPECTION, SCALING 1/2-3/4" DEEP WITH LOOSE AGGREGATE X 360° FROM WATERLINE DOWN 3'.	3	1	3 Each

General Comments

Bent 42 Pile 2**Prestressed Concrete Pile**

Element Number	Element Name	Total Qty	CS1 Qty	CS2 Qty	CS3 Qty	CS4 Qty
226	Prestressed Concrete Pile	1	0	0	1	0 Each

Element Number	Defect Type	Defect Description	CS	CS Qty	Maint Qty
226	Cracking (PSC)	U/W INSPECTION, MULTIPLE H/L CRACKS, MULTIPLE FACES, GENERALLY THESE CRACKS ARE LOST IN THE SCALING AREA. SCALING 1/2-3/4" DEEP WITH LOOSE AGGREGATE X 360° FROM WATERLINE DOWN 3'.	3	1	3 Each

General Comments

Bent 42 Pile 3**Prestressed Concrete Pile**

Element Number	Element Name	Total Qty	CS1 Qty	CS2 Qty	CS3 Qty	CS4 Qty
226	Prestressed Concrete Pile	1	0	0	1	0 Each

Element Number	Defect Type	Defect Description	CS	CS Qty	Maint Qty
226	Cracking (PSC)	U/W INSPECTION, MULTIPLE H/L CRACKS, MULTIPLE FACES, GENERALLY THESE CRACKS ARE LOST IN THE SCALING AREA. SCALING 1/2-3/4" DEEP WITH LOOSE AGGREGATE X 360° FROM WATERLINE DOWN 3'.	3	1	3 Each

General Comments

Bent 42 Pile 4

Prestressed Concrete Pile

Element Number	Element Name	Total Qty	CS1 Qty	CS2 Qty	CS3 Qty	CS4 Qty
226	Prestressed Concrete Pile	1	0	0	1	0 Each

Element Number	Defect Type	Defect Description	CS	CS Qty	Maint Qty
226	Cracking (PSC)	U/W INSPECTION, MULTIPLE H/L CRACKS, MULTIPLE FACES, GENERALLY THESE CRACKS ARE LOST IN THE SCALING AREA. SCALING 1/2-3/4" DEEP WITH LOOSE AGGREGATE X 360* FROM WATERLINE DOWN 3'.	3	1	3 Each

General Comments

Bent 42 Pile 5

Prestressed Concrete Pile

Element Number	Element Name	Total Qty	CS1 Qty	CS2 Qty	CS3 Qty	CS4 Qty
226	Prestressed Concrete Pile	1	0	0	1	0 Each

Element Number	Defect Type	Defect Description	CS	CS Qty	Maint Qty
226	Abrasion/Wear (PSC/RC)	U/W INSPECTION, SCALING 1/2-1" DEEP WITH LOOSE AGGREGATE X 360* FROM WATERLINE DOWN 3'.	3	1	3 Each

General Comments

Bent 42 Pile 6

Prestressed Concrete Pile

Element Number	Element Name	Total Qty	CS1 Qty	CS2 Qty	CS3 Qty	CS4 Qty
226	Prestressed Concrete Pile	1	0	0	1	0 Each

Element Number	Defect Type	Defect Description	CS	CS Qty	Maint Qty
226	Cracking (PSC)	U/W INSPECTION, MULTIPLE H/L-1/16" CRACKS, MULTIPLE FACES, GENERALLY THESE CRACKS ARE LOST IN THE SCALING AREA. SCALING 1/2-1" DEEP WITH LOOSE AGGREGATE X 360* FROM WATERLINE DOWN 3'.	3	1	3 Each

General Comments

Bent 42 Pile 7

Prestressed Concrete Pile

Element Number	Element Name	Total Qty	CS1 Qty	CS2 Qty	CS3 Qty	CS4 Qty
226	Prestressed Concrete Pile	1	1	0	0	0 Each

Element Number	Defect Type	Defect Description	CS	CS Qty	Maint Qty
----------------	-------------	--------------------	----	--------	-----------

General Comments

PILE HAS BEEN JACKETED.

Bent 43 Pile 1**Prestressed Concrete Pile**

Element Number	Element Name	Total Qty	CS1 Qty	CS2 Qty	CS3 Qty	CS4 Qty
226	Prestressed Concrete Pile	1	0	0	1	0 Each

Element Number	Defect Type	Defect Description	CS	CS Qty	Maint Qty
226	Abrasion/Wear (PSC/RC)	U/W INSPECTION, SCALING 1/2-3/4" DEEP WITH LOOSE AGGREGATE X 360* FROM WATERLINE DOWN 3'.	3	1	3 Each

General Comments

Bent 43 Pile 2**Prestressed Concrete Pile**

Element Number	Element Name	Total Qty	CS1 Qty	CS2 Qty	CS3 Qty	CS4 Qty
226	Prestressed Concrete Pile	1	0	0	1	0 Each

Element Number	Defect Type	Defect Description	CS	CS Qty	Maint Qty
226	Abrasion/Wear (PSC/RC)	U/W INSPECTION, SCALING 1/2-3/4" DEEP WITH LOOSE AGGREGATE X 360* FROM WATERLINE DOWN 3'.	3	1	3 Each

General Comments

Bent 43 Pile 3**Prestressed Concrete Pile**

Element Number	Element Name	Total Qty	CS1 Qty	CS2 Qty	CS3 Qty	CS4 Qty
226	Prestressed Concrete Pile	1	0	0	1	0 Each

Element Number	Defect Type	Defect Description	CS	CS Qty	Maint Qty
226	Abrasion/Wear (PSC/RC)	U/W INSPECTION, SCALING 1/2-3/4" DEEP WITH LOOSE AGGREGATE X 360* FROM WATERLINE DOWN 3'.	3	1	3 Each

General Comments

Bent 43 Pile 4**Prestressed Concrete Pile**

Element Number	Element Name	Total Qty	CS1 Qty	CS2 Qty	CS3 Qty	CS4 Qty
226	Prestressed Concrete Pile	1	0	0	1	0 Each

Element Number	Defect Type	Defect Description	CS	CS Qty	Maint Qty
226	Abrasion/Wear (PSC/RC)	U/W INSPECTION, SCALING 1/2-3/4" DEEP WITH LOOSE AGGREGATE X 360* FROM WATERLINE DOWN 3'.	3	1	3 Each

General Comments

Bent 43 Pile 5**Prestressed Concrete Pile**

Element Number	Element Name	Total Qty	CS1 Qty	CS2 Qty	CS3 Qty	CS4 Qty
226	Prestressed Concrete Pile	1	0	0	1	0 Each

Element Number	Defect Type	Defect Description	CS	CS Qty	Maint Qty
----------------	-------------	--------------------	----	--------	-----------

Structure Number: 070007

Inspection Date: 03/03/2022

226 Cracking (PSC) U/W INSPECTION, MULTIPLE H/L CRACKS, MULTIPLE FACES, GENERALLY THESE CRACKS ARE LOST IN THE SCALING AREA. SCALING 1/2-1" DEEP WITH LOOSE AGGREGATE X 360" FROM WATERLINE DOWN 3'.

General Comments

Bent 43 Pile 6

Prestressed Concrete Pile

Element Number	Element Name	Total Qty	CS1 Qty	CS2 Qty	CS3 Qty	CS4 Qty	
226	Prestressed Concrete Pile	1	0	0	1	0	Each

Element Number	Defect Type	Defect Description	CS	CS Qty	Maint Qty	
226	Abrasion/Wear (PSC/RC)	U/W INSPECTION, SCALING 1/2-1" DEEP WITH LOOSE AGGREGATE X 360" FROM WATERLINE DOWN 3'.	3	1	3	Each

General Comments

Bent 44 Cap 1

Reinforced Concrete Pier Cap

Element Number	Element Name	Total Qty	CS1 Qty	CS2 Qty	CS3 Qty	CS4 Qty	
234	Reinforced Concrete Pier Cap	29	17	10	2	0	Feet

Element Number	Defect Type	Defect Description	CS	CS Qty	Maint Qty	
234	Delamination/Spall	BENT 44 CAP NORTHWEST CORNER HAS A CRACK/SPALL AND DELAMINATED AREA WITH REBAR VISIBLE. AREA IS: FROM BOTTOM EDGE UP 7" x 14" x 3" DEEP.	3	2	2	Feet
234	Cracking (RC and Other)	BENT 44 CAP HAS SCATTERED CRACKS.	2	10		Feet

General Comments

Bent 44 Pile 1

Prestressed Concrete Pile

Element Number	Element Name	Total Qty	CS1 Qty	CS2 Qty	CS3 Qty	CS4 Qty	
226	Prestressed Concrete Pile	1	1	0	0	0	Each

Element Number	Defect Type	Defect Description	CS	CS Qty	Maint Qty	
226	Cracking (PSC)	U/W INSPECTION; MULTIPLE H/L CRACKS, MULTIPLE FACES, W/L DOWN 4', GENERALLY THESE CRACKS ARE LOST IN THE SCALING AREA. SCALING TO 1/2" - 3/4" DEEP WITH LOOSE AGGREGATE X 360" FROM WATERLINE DOWN 4'. PILE HAS BEEN JACKETED.	1	1		Each

General Comments

PILE HAS BEEN JACKETED

Bent 44 Pile 2

Prestressed Concrete Pile

Element Number	Element Name	Total Qty	CS1 Qty	CS2 Qty	CS3 Qty	CS4 Qty	
226	Prestressed Concrete Pile	1	1	0	0	0	Each

Element Number	Defect Type	Defect Description	CS	CS Qty	Maint Qty	
----------------	-------------	--------------------	----	--------	-----------	--

Structure Number: 070007

Inspection Date: 03/03/2022

226 Cracking (PSC) U/W INSPECTION; MULTIPLE H/L CRACKS, MULTIPLE FACES, W/L DOWN 4', GENERALLY THESE CRACKS ARE LOST IN THE SCALING AREA. SCALING TO 1/2" - 3/4" DEEP WITH LOOSE AGGREGATE X 360* FROM WATERLINE DOWN 4'. PILE HAS BEEN JACKETED. 1 1 Each

General Comments

PILE HAS BEEN JACKETED

Bent 44 Pile 3

Prestressed Concrete Pile

Element Number	Element Name	Total Qty	CS1 Qty	CS2 Qty	CS3 Qty	CS4 Qty	
226	Prestressed Concrete Pile	1	1	0	0	0	Each

Element Number	Defect Type	Defect Description	CS	CS Qty	Maint Qty	
226	Cracking (PSC)	U/W INSPECTION; MULTIPLE H/L CRACKS, MULTIPLE FACES, W/L DOWN 4', GENERALLY THESE CRACKS ARE LOST IN THE SCALING AREA. SCALING TO 1/2" - 3/4" DEEP WITH LOOSE AGGREGATE X 360* FROM WATERLINE DOWN 4'. PILE HAS BEEN JACKETED.	1	1		Each

General Comments

PILE HAS BEEN JACKETED

Bent 44 Pile 4

Prestressed Concrete Pile

Element Number	Element Name	Total Qty	CS1 Qty	CS2 Qty	CS3 Qty	CS4 Qty	
226	Prestressed Concrete Pile	1	1	0	0	0	Each

Element Number	Defect Type	Defect Description	CS	CS Qty	Maint Qty	
226	Cracking (PSC)	U/W INSPECTION; MULTIPLE H/L CRACKS, MULTIPLE FACES, W/L DOWN 4', GENERALLY THESE CRACKS ARE LOST IN THE SCALING AREA. SCALING TO 1/2" - 3/4" DEEP WITH LOOSE AGGREGATE X 360* FROM WATERLINE DOWN 4'. PILE HAS BEEN JACKETED.	1	1		Each

General Comments

PILE HAS BEEN JACKETED

Bent 44 Pile 5

Prestressed Concrete Pile

Element Number	Element Name	Total Qty	CS1 Qty	CS2 Qty	CS3 Qty	CS4 Qty	
226	Prestressed Concrete Pile	1	1	0	0	0	Each

Element Number	Defect Type	Defect Description	CS	CS Qty	Maint Qty	
226	Cracking (PSC)	U/W INSPECTION; MULTIPLE H/L CRACKS, MULTIPLE FACES, W/L DOWN 4', GENERALLY THESE CRACKS ARE LOST IN THE SCALING AREA. SCALING TO 1/2" - 3/4" DEEP WITH LOOSE AGGREGATE X 360* FROM WATERLINE DOWN 4'. PILE HAS BEEN JACKETED.	1	1		Each

General Comments

PILE HAS BEEN JACKETED

Bent 44 Pile 6

Prestressed Concrete Pile

Element Number	Element Name	Total Qty	CS1 Qty	CS2 Qty	CS3 Qty	CS4 Qty	
226	Prestressed Concrete Pile	1	1	0	0	0	Each

Element Number	Defect Type	Defect Description	CS	CS Qty	Maint Qty	
226	Cracking (PSC)	U/W INSPECTION; MULTIPLE H/L CRACKS, MULTIPLE FACES, W/L DOWN 4'. GENERALLY THESE CRACKS ARE LOST IN THE SCALING AREA. SCALING TO 1/2" - 3/4" DEEP WITH LOOSE AGGREGATE X 360* FROM WATERLINE DOWN 4'. PILE HAS BEEN JACKETED.	1	1		Each

General Comments

PILE HAS BEEN JACKETED

Bent 45 Cap 1

Reinforced Concrete Pier Cap

Element Number	Element Name	Total Qty	CS1 Qty	CS2 Qty	CS3 Qty	CS4 Qty	
234	Reinforced Concrete Pier Cap	29	17	12	0	0	Feet

Element Number	Defect Type	Defect Description	CS	CS Qty	Maint Qty	
234	Cracking (RC and Other)	BENT 45 CAP HAS SCATTERED CRACKS.	2	12		Feet

General Comments

Bent 45 Pile 1

Prestressed Concrete Pile

Element Number	Element Name	Total Qty	CS1 Qty	CS2 Qty	CS3 Qty	CS4 Qty	
226	Prestressed Concrete Pile	1	0	0	1	0	Each

Element Number	Defect Type	Defect Description	CS	CS Qty	Maint Qty	
226	Cracking (PSC)	U/W INSPECTION, MULTIPLE H/L-1/16" CRACKS, MULTIPLE FACES, GENERALLY THESE CRACKS ARE LOST IN THE SCALING AREA. SCALING 1/2-3/4" DEEP WITH LOOSE AGGREGATE X 360* FROM WATERLINE DOWN 4'.	3	1	4	Each

General Comments

Bent 45 Pile 2

Prestressed Concrete Pile

Element Number	Element Name	Total Qty	CS1 Qty	CS2 Qty	CS3 Qty	CS4 Qty	
226	Prestressed Concrete Pile	1	0	0	1	0	Each

Element Number	Defect Type	Defect Description	CS	CS Qty	Maint Qty	
226	Cracking (PSC)	U/W INSPECTION, MULTIPLE H/L-1/16" CRACKS, MULTIPLE FACES, GENERALLY THESE CRACKS ARE LOST IN THE SCALING AREA. SCALING 1/2-3/4" DEEP WITH LOOSE AGGREGATE X 360* FROM WATERLINE DOWN 4'.	3	1	4	Each

General Comments

Bent 45 Pile 3

Prestressed Concrete Pile

Element Number	Element Name	Total Qty	CS1 Qty	CS2 Qty	CS3 Qty	CS4 Qty
226	Prestressed Concrete Pile	1	0	0	1	0 Each

Element Number	Defect Type	Defect Description	CS	CS Qty	Maint Qty
226	Abrasion/Wear (PSC/RC)	U/W INSPECTION, SCALING 1/2-3/4" DEEP WITH LOOSE AGGREGATE X 360* FROM WATERLINE DOWN 4'.	3	1	4 Each

General Comments

Bent 45 Pile 4

Prestressed Concrete Pile

Element Number	Element Name	Total Qty	CS1 Qty	CS2 Qty	CS3 Qty	CS4 Qty
226	Prestressed Concrete Pile	1	0	0	1	0 Each

Element Number	Defect Type	Defect Description	CS	CS Qty	Maint Qty
226	Cracking (PSC)	U/W INSPECTION, MULTIPLE H/L-1/16" CRACKS, MULTIPLE FACES, GENERALLY THESE CRACKS ARE LOST IN THE SCALING AREA. SCALING 1/2-3/4" DEEP WITH LOOSE AGGREGATE X 360* FROM WATERLINE DOWN 4'.	3	1	4 Each

General Comments

Bent 45 Pile 5

Prestressed Concrete Pile

Element Number	Element Name	Total Qty	CS1 Qty	CS2 Qty	CS3 Qty	CS4 Qty
226	Prestressed Concrete Pile	1	0	0	1	0 Each

Element Number	Defect Type	Defect Description	CS	CS Qty	Maint Qty
226	Abrasion/Wear (PSC/RC)	U/W INSPECTION, SCALING 1/2-3/4" DEEP WITH LOOSE AGGREGATE X 360* FROM WATERLINE DOWN 4'.	3	1	4 Each

General Comments

Bent 45 Pile 6

Prestressed Concrete Pile

Element Number	Element Name	Total Qty	CS1 Qty	CS2 Qty	CS3 Qty	CS4 Qty
226	Prestressed Concrete Pile	1	0	0	1	0 Each

Element Number	Defect Type	Defect Description	CS	CS Qty	Maint Qty
226	Abrasion/Wear (PSC/RC)	U/W INSPECTION, SCALING 1/2-3/4" DEEP WITH LOOSE AGGREGATE X 360* FROM WATERLINE DOWN 4'.	3	1	4 Each

General Comments

Bent 46 Cap 1

Reinforced Concrete Pier Cap

Element Number	Element Name	Total Qty	CS1 Qty	CS2 Qty	CS3 Qty	CS4 Qty
234	Reinforced Concrete Pier Cap	29	12	17	0	0 Feet

Element Number	Defect Type	Defect Description	CS	CS Qty	Maint Qty
234	Patched Area	BENT 46 CAP BOTTOM AND SOUTH FACE BAY 3. sound patch	2	3	Feet
234	Patched Area	BENT 46 CAP HAS SCATTERED PATCHED AREAS WITH SOME HAIRLINE CRACKS. PATCHES ARE SOUND.	2	12	Feet
234	Patched Area	BENT 46 CAP SOUTH FACE BAY 2. sound patch	2	2	Feet

General Comments

Bent 46 Pile 1

Prestressed Concrete Pile

Element Number	Element Name	Total Qty	CS1 Qty	CS2 Qty	CS3 Qty	CS4 Qty
226	Prestressed Concrete Pile	1	0	0	1	0 Each

Element Number	Defect Type	Defect Description	CS	CS Qty	Maint Qty
226	Abrasion/Wear (PSC/RC)	U/W INSPECTION, SCALING 1/2-3/4" DEEP WITH LOOSE AGGREGATE X 360* FROM WATERLINE DOWN 3'.	3	1	3 Each

General Comments

Bent 46 Pile 2

Prestressed Concrete Pile

Element Number	Element Name	Total Qty	CS1 Qty	CS2 Qty	CS3 Qty	CS4 Qty
226	Prestressed Concrete Pile	1	1	0	0	0 Each

Element Number	Defect Type	Defect Description	CS	CS Qty	Maint Qty
226	Cracking (PSC)	U/W INSPECTION; MULTIPLE H/L CRACKS, MULTIPLE FACES, W/L DOWN 4'. GENERALLY THESE CRACKS ARE LOST IN THE SCALING AREA. SCALING TO 1/2" - 3/4" DEEP WITH LOOSE AGGREGATE X 360* FROM WATERLINE DOWN 4'. PILE HAS BEEN JACKETED.	1	1	Each

General Comments

PILE HAS BEEN JACKETED

Bent 46 Pile 3

Prestressed Concrete Pile

Element Number	Element Name	Total Qty	CS1 Qty	CS2 Qty	CS3 Qty	CS4 Qty
226	Prestressed Concrete Pile	1	0	0	1	0 Each

Element Number	Defect Type	Defect Description	CS	CS Qty	Maint Qty
226	Abrasion/Wear (PSC/RC)	U/W INSPECTION, SCALING 1/2-3/4" DEEP WITH LOOSE AGGREGATE X 360* FROM WATERLINE DOWN 3'.	3	1	3 Each

General Comments

Bent 46 Pile 4

Prestressed Concrete Pile

Element Number	Element Name	Total Qty	CS1 Qty	CS2 Qty	CS3 Qty	CS4 Qty	
226	Prestressed Concrete Pile	1	1	0	0	0	Each

Element Number	Defect Type	Defect Description	CS	CS Qty	Maint Qty	
226	Abrasion/Wear (PSC/RC)	U/W INSPECTION ; SCALING TO 1/2" - 3/4" DEEP WITH LOOSE AGGREGATE X 360* FROM WATERLINE DOWN 3'. PILE HAS BEEN JACKETED.	1	1		Each

General Comments

PILE HAS BEEN JACKETED

Bent 46 Pile 5

Prestressed Concrete Pile

Element Number	Element Name	Total Qty	CS1 Qty	CS2 Qty	CS3 Qty	CS4 Qty	
226	Prestressed Concrete Pile	1	0	0	1	0	Each

Element Number	Defect Type	Defect Description	CS	CS Qty	Maint Qty	
226	Abrasion/Wear (PSC/RC)	U/W INSPECTION, SCALING 1/2-3/4" DEEP WITH LOOSE AGGREGATE X 360* FROM WATERLINE DOWN 3'.	3	1	3	Each

General Comments

Bent 46 Pile 6

Prestressed Concrete Pile

Element Number	Element Name	Total Qty	CS1 Qty	CS2 Qty	CS3 Qty	CS4 Qty	
226	Prestressed Concrete Pile	1	0	0	1	0	Each

Element Number	Defect Type	Defect Description	CS	CS Qty	Maint Qty	
226	Abrasion/Wear (PSC/RC)	U/W INSPECTION, SCALING 1/2-3/4" DEEP WITH LOOSE AGGREGATE X 360* FROM WATERLINE DOWN 3'.	3	1	3	Each

General Comments

Bent 46 Pile 7

Prestressed Concrete Pile

Element Number	Element Name	Total Qty	CS1 Qty	CS2 Qty	CS3 Qty	CS4 Qty	
226	Prestressed Concrete Pile	1	0	0	1	0	Each

Element Number	Defect Type	Defect Description	CS	CS Qty	Maint Qty	
226	Abrasion/Wear (PSC/RC)	U/W INSPECTION, SCALING 1/2-3/4" DEEP WITH LOOSE AGGREGATE X 360* FROM WATERLINE DOWN 3'.	3	1	3	Each

General Comments

Bent 47 Cap 1**Reinforced Concrete Pier Cap**

Element Number	Element Name	Total Qty	CS1 Qty	CS2 Qty	CS3 Qty	CS4 Qty
234	Reinforced Concrete Pier Cap	29	0	27	2	0 Feet

Element Number	Defect Type	Defect Description	CS	CS Qty	Maint Qty
234	Cracking (RC and Other)	1/8" HORIZONTAL CRACKING ON NORTH FACE UNDER GIRDER 2	3	2	2 Feet
234	Patched Area	BENT 47 CAP EAST END AND NORTH FACE. sound patches	2	13	Feet
234	Patched Area	BENT 47 CAP HAS SCATTERED PATCHED AREAS WITH SOME HAIRLINE CRACKS. PATCHES ARE SOUND.	2	8	Feet
234	Patched Area	BENT 47 CAP SOUTH FACE BAY 1, sound patch	2	6	Feet

General Comments

Bent 47 Pile 1**Prestressed Concrete Pile**

Element Number	Element Name	Total Qty	CS1 Qty	CS2 Qty	CS3 Qty	CS4 Qty
226	Prestressed Concrete Pile	1	0	0	1	0 Each

Element Number	Defect Type	Defect Description	CS	CS Qty	Maint Qty
226	Abrasion/Wear (PSC/RC)	U/W INSPECTION, SCALING 1/2-3/4" DEEP WITH LOOSE AGGREGATE X 360° FROM WATERLINE DOWN 3'.	3	1	3 Each

General Comments

Bent 47 Pile 2**Prestressed Concrete Pile**

Element Number	Element Name	Total Qty	CS1 Qty	CS2 Qty	CS3 Qty	CS4 Qty
226	Prestressed Concrete Pile	1	0	0	1	0 Each

Element Number	Defect Type	Defect Description	CS	CS Qty	Maint Qty
226	Efflorescence/Rust Staining	U/W INSPECTION, SCALING 1/2-3/4" DEEP WITH LOOSE AGGREGATE X 360° FROM WATERLINE DOWN 3'.	3	1	3 Each

General Comments

Bent 47 Pile 3**Prestressed Concrete Pile**

Element Number	Element Name	Total Qty	CS1 Qty	CS2 Qty	CS3 Qty	CS4 Qty
226	Prestressed Concrete Pile	1	0	0	1	0 Each

Element Number	Defect Type	Defect Description	CS	CS Qty	Maint Qty
226	Abrasion/Wear (PSC/RC)	U/W INSPECTION, SCALING 1/2-3/4" DEEP WITH LOOSE AGGREGATE X 360° FROM WATERLINE DOWN 3'.	3	1	3 Each

General Comments

Bent 47 Pile 4**Prestressed Concrete Pile**

Element Number	Element Name	Total Qty	CS1 Qty	CS2 Qty	CS3 Qty	CS4 Qty
226	Prestressed Concrete Pile	1	0	0	1	0 Each

Element Number	Defect Type	Defect Description	CS	CS Qty	Maint Qty
226	Abrasion/Wear (PSC/RC)	U/W INSPECTION, SCALING 1/2-3/4" DEEP WITH LOOSE AGGREGATE X 360* FROM WATERLINE DOWN 3'.	3	1	3 Each

General Comments

Bent 47 Pile 5**Prestressed Concrete Pile**

Element Number	Element Name	Total Qty	CS1 Qty	CS2 Qty	CS3 Qty	CS4 Qty
226	Prestressed Concrete Pile	1	0	0	1	0 Each

Element Number	Defect Type	Defect Description	CS	CS Qty	Maint Qty
226	Abrasion/Wear (PSC/RC)	U/W INSPECTION, SCALING 1/2-3/4" DEEP WITH LOOSE AGGREGATE X 360* FROM WATERLINE DOWN 3'.	3	1	3 Each

General Comments

Bent 47 Pile 6**Prestressed Concrete Pile**

Element Number	Element Name	Total Qty	CS1 Qty	CS2 Qty	CS3 Qty	CS4 Qty
226	Prestressed Concrete Pile	1	0	0	1	0 Each

Element Number	Defect Type	Defect Description	CS	CS Qty	Maint Qty
226	Abrasion/Wear (PSC/RC)	U/W INSPECTION, SCALING 1/2-3/4" DEEP WITH LOOSE AGGREGATE X 360* FROM WATERLINE DOWN 3'.	3	1	3 Each

General Comments

Bent 48 Cap 1**Reinforced Concrete Pier Cap**

Element Number	Element Name	Total Qty	CS1 Qty	CS2 Qty	CS3 Qty	CS4 Qty
234	Reinforced Concrete Pier Cap	29	1	28	0	0 Feet

Element Number	Defect Type	Defect Description	CS	CS Qty	Maint Qty
234	Delamination/Spall	South face under beam 2, delamination [36in x 12in]	2	3	3 Feet
234	Patched Area	BENT 48 CAP BOTTOM AND NORTHEAST CORNER. sound patches [up to 6in x 38in]	2	4	Feet
234	Patched Area	BENT 48 CAP HAS SCATTERED PATCHED AREAS WITH SOME HAIRLINE CRACKS. PATCHES ARE SOUND.	2	18	Feet
234	Patched Area	BENT 48 CAP SOUTH FACE AT PILE 6. sound patch [6in x 30in]	2	3	Feet

General Comments

Bent 48 Pile 1

Prestressed Concrete Pile

Element Number	Element Name	Total Qty	CS1 Qty	CS2 Qty	CS3 Qty	CS4 Qty
226	Prestressed Concrete Pile	1	0	0	1	0 Each

Element Number	Defect Type	Defect Description	CS	CS Qty	Maint Qty
226	Abrasion/Wear (PSC/RC)	U/W INSPECTION, SCALING 1/2-3/4" DEEP WITH LOOSE AGGREGATE X 360* FROM WATERLINE DOWN 3'.	3	1	3 Each

General Comments

Bent 48 Pile 2

Prestressed Concrete Pile

Element Number	Element Name	Total Qty	CS1 Qty	CS2 Qty	CS3 Qty	CS4 Qty
226	Prestressed Concrete Pile	1	0	0	1	0 Each

Element Number	Defect Type	Defect Description	CS	CS Qty	Maint Qty
226	Abrasion/Wear (PSC/RC)	U/W INSPECTION, SCALING 1/2-3/4" DEEP WITH LOOSE AGGREGATE X 360* FROM WATERLINE DOWN 3'.	3	1	3 Each

General Comments

Bent 48 Pile 3

Prestressed Concrete Pile

Element Number	Element Name	Total Qty	CS1 Qty	CS2 Qty	CS3 Qty	CS4 Qty
226	Prestressed Concrete Pile	1	1	0	0	0 Each

Element Number	Defect Type	Defect Description	CS	CS Qty	Maint Qty
226	Cracking (PSC)	U/W INSPECTION; MULTIPLE H/L CRACKS, MULTIPLE FACES, W/L DOWN 3', GENERALLY THESE CRACKS ARE LOST IN THE SCALING AREA. SCALING TO 1/2" - 3/4" DEEP WITH LOOSE AGGREGATE X 360* FROM WATERLINE DOWN 3'. PILE HAS BEEN JACKETED.	1	1	Each

General Comments

PILE HAS BEEN JACKETED

Bent 48 Pile 4

Prestressed Concrete Pile

Element Number	Element Name	Total Qty	CS1 Qty	CS2 Qty	CS3 Qty	CS4 Qty
226	Prestressed Concrete Pile	1	0	0	1	0 Each

Element Number	Defect Type	Defect Description	CS	CS Qty	Maint Qty
226	Abrasion/Wear (PSC/RC)	U/W INSPECTION, SCALING 1/2-3/4" DEEP WITH LOOSE AGGREGATE X 360* FROM WATERLINE DOWN 3'.	3	1	3 Each

General Comments

Bent 48 Pile 5

Prestressed Concrete Pile

Element Number	Element Name	Total Qty	CS1 Qty	CS2 Qty	CS3 Qty	CS4 Qty	
226	Prestressed Concrete Pile	1	0	0	1	0	Each

Element Number	Defect Type	Defect Description	CS	CS Qty	Maint Qty	
226	Abrasion/Wear (PSC/RC)	U/W INSPECTION, SCALING 1/2-3/4" DEEP WITH LOOSE AGGREGATE X 360* FROM WATERLINE DOWN 3'.	3	1	3	Each

General Comments

Bent 48 Pile 6

Prestressed Concrete Pile

Element Number	Element Name	Total Qty	CS1 Qty	CS2 Qty	CS3 Qty	CS4 Qty	
226	Prestressed Concrete Pile	1	1	0	0	0	Each

Element Number	Defect Type	Defect Description	CS	CS Qty	Maint Qty	
226	Cracking (PSC)	U/W INSPECTION; MULTIPLE H/L CRACKS, MULTIPLE FACES, W/L DOWN 3', GENERALLY THESE CRACKS ARE LOST IN THE SCALING AREA. SCALING TO 1/2" - 3/4" DEEP WITH LOOSE AGGREGATE X 360* FROM WATERLINE DOWN 3'. PILE HAS BEEN JACKETED.	1	1		Each

General Comments

PILE HAS BEEN JACKETED

Bent 49 Cap 1

Reinforced Concrete Pier Cap

Element Number	Element Name	Total Qty	CS1 Qty	CS2 Qty	CS3 Qty	CS4 Qty	
234	Reinforced Concrete Pier Cap	29	24	5	0	0	Feet

Element Number	Defect Type	Defect Description	CS	CS Qty	Maint Qty	
234	Patched Area	BENT 49 CAP SOUTH FACE BAY 1. sound patch [7in x 24in]	2	2		Feet
234	Patched Area	BENT 49 CAP TOP AND SOUTH FACE UNDER BEAM 3. sound patch [16in x 27in]	2	3		Feet

General Comments

Bent 49 Pile 1

Prestressed Concrete Pile

Element Number	Element Name	Total Qty	CS1 Qty	CS2 Qty	CS3 Qty	CS4 Qty	
226	Prestressed Concrete Pile	1	0	0	1	0	Each

Element Number	Defect Type	Defect Description	CS	CS Qty	Maint Qty	
226	Abrasion/Wear (PSC/RC)	U/W INSPECTION, SCALING 1/2-3/4" DEEP WITH LOOSE AGGREGATE X 360* FROM WATERLINE DOWN 2'.	3	1	2	Each

General Comments

Bent 49 Pile 2

Prestressed Concrete Pile

Element Number	Element Name	Total Qty	CS1 Qty	CS2 Qty	CS3 Qty	CS4 Qty
226	Prestressed Concrete Pile	1	0	0	1	0 Each

Element Number	Defect Type	Defect Description	CS	CS Qty	Maint Qty
226	Abrasion/Wear (PSC/RC)	U/W INSPECTION, SCALING 1/2-3/4" DEEP WITH LOOSE AGGREGATE X 360* FROM WATERLINE DOWN 2'.	3	1	2 Each

General Comments

Bent 49 Pile 3

Prestressed Concrete Pile

Element Number	Element Name	Total Qty	CS1 Qty	CS2 Qty	CS3 Qty	CS4 Qty
226	Prestressed Concrete Pile	1	0	0	1	0 Each

Element Number	Defect Type	Defect Description	CS	CS Qty	Maint Qty
226	Abrasion/Wear (PSC/RC)	U/W INSPECTION, SCALING 1/2-3/4" DEEP WITH LOOSE AGGREGATE X 360* FROM WATERLINE DOWN 2'.	3	1	2 Each

General Comments

Bent 49 Pile 4

Prestressed Concrete Pile

Element Number	Element Name	Total Qty	CS1 Qty	CS2 Qty	CS3 Qty	CS4 Qty
226	Prestressed Concrete Pile	1	0	0	1	0 Each

Element Number	Defect Type	Defect Description	CS	CS Qty	Maint Qty
226	Cracking (PSC)	U/W INSPECTION, MULTIPLE H/L CRACKS, MULTIPLE FACES, GENERALLY THESE CRACKS ARE LOST IN THE SCALING AREA. SCALING 1/2-3/4" DEEP WITH LOOSE AGGREGATE X 360* FROM WATERLINE DOWN 4'.	3	1	2 Each

General Comments

Bent 49 Pile 5

Prestressed Concrete Pile

Element Number	Element Name	Total Qty	CS1 Qty	CS2 Qty	CS3 Qty	CS4 Qty
226	Prestressed Concrete Pile	1	0	0	1	0 Each

Element Number	Defect Type	Defect Description	CS	CS Qty	Maint Qty
226	Abrasion/Wear (PSC/RC)	U/W INSPECTION, SCALING 1/2-3/4" DEEP WITH LOOSE AGGREGATE X 360* FROM WATERLINE DOWN 2'.	3	1	2 Each

General Comments

Bent 49 Pile 6

Prestressed Concrete Pile

Element Number	Element Name	Total Qty	CS1 Qty	CS2 Qty	CS3 Qty	CS4 Qty
226	Prestressed Concrete Pile	1	0	0	1	0 Each

Element Number	Defect Type	Defect Description	CS	CS Qty	Maint Qty
226	Abrasion/Wear (PSC/RC)	U/W INSPECTION, SCALING 1/2-3/4" DEEP WITH LOOSE AGGREGATE X 360* FROM WATERLINE DOWN 2'.	3	1	2 Each

General Comments

Bent 50 Cap 1

Reinforced Concrete Pier Cap

Element Number	Element Name	Total Qty	CS1 Qty	CS2 Qty	CS3 Qty	CS4 Qty
234	Reinforced Concrete Pier Cap	29	17	12	0	0 Feet

Element Number	Defect Type	Defect Description	CS	CS Qty	Maint Qty
234	Patched Area	BENT 50 CAP HAS SCATTERED PATCHED AREAS WITH SOME HAIRLINE CRACKS. PATCHES ARE SOUND.	2	12	Feet

General Comments

Bent 50 Pile 1

Prestressed Concrete Pile

Element Number	Element Name	Total Qty	CS1 Qty	CS2 Qty	CS3 Qty	CS4 Qty
226	Prestressed Concrete Pile	1	0	0	1	0 Each

Element Number	Defect Type	Defect Description	CS	CS Qty	Maint Qty
226	Abrasion/Wear (PSC/RC)	U/W INSPECTION, SCALING 1/2-3/4" DEEP WITH LOOSE AGGREGATE X 360* FROM WATERLINE DOWN 3'.	3	1	3 Each

General Comments

Bent 50 Pile 2

Prestressed Concrete Pile

Element Number	Element Name	Total Qty	CS1 Qty	CS2 Qty	CS3 Qty	CS4 Qty
226	Prestressed Concrete Pile	1	0	0	1	0 Each

Element Number	Defect Type	Defect Description	CS	CS Qty	Maint Qty
226	Cracking (PSC)	U/W INSPECTION, MULTIPLE H/L-1/32" CRACKS, MULTIPLE FACES, GENERALLY THESE CRACKS ARE LOST IN THE SCALING AREA. SCALING 1/2-3/4" DEEP WITH LOOSE AGGREGATE X 360* FROM WATERLINE DOWN 3'.	3	1	3 Each

General Comments

Bent 50 Pile 3

Prestressed Concrete Pile

Element Number	Element Name	Total Qty	CS1 Qty	CS2 Qty	CS3 Qty	CS4 Qty
226	Prestressed Concrete Pile	1	0	0	1	0 Each

Element Number	Defect Type	Defect Description	CS	CS Qty	Maint Qty
226	Cracking (PSC)	U/W INSPECTION, MULTIPLE H/L CRACKS, MULTIPLE FACES, GENERALLY THESE CRACKS ARE LOST IN THE SCALING AREA. SCALING 1/2-3/4" DEEP WITH LOOSE AGGREGATE X 360" FROM WATERLINE DOWN 3'.	3	1	3 Each

General Comments

Bent 50 Pile 4

Prestressed Concrete Pile

Element Number	Element Name	Total Qty	CS1 Qty	CS2 Qty	CS3 Qty	CS4 Qty
226	Prestressed Concrete Pile	1	0	0	1	0 Each

Element Number	Defect Type	Defect Description	CS	CS Qty	Maint Qty
226	Cracking (PSC)	U/W INSPECTION, MULTIPLE H/L CRACKS, MULTIPLE FACES, GENERALLY THESE CRACKS ARE LOST IN THE SCALING AREA. SCALING 1/2-3/4" DEEP WITH LOOSE AGGREGATE X 360" FROM WATERLINE DOWN 3'.	3	1	3 Each

General Comments

Bent 50 Pile 5

Prestressed Concrete Pile

Element Number	Element Name	Total Qty	CS1 Qty	CS2 Qty	CS3 Qty	CS4 Qty
226	Prestressed Concrete Pile	1	0	0	1	0 Each

Element Number	Defect Type	Defect Description	CS	CS Qty	Maint Qty
226	Cracking (PSC)	U/W INSPECTION, MULTIPLE H/L CRACKS, MULTIPLE FACES, GENERALLY THESE CRACKS ARE LOST IN THE SCALING AREA. SCALING 1/2-3/4" DEEP WITH LOOSE AGGREGATE X 360" FROM WATERLINE DOWN 3'.	3	1	3 Each

General Comments

Bent 50 Pile 6

Prestressed Concrete Pile

Element Number	Element Name	Total Qty	CS1 Qty	CS2 Qty	CS3 Qty	CS4 Qty
226	Prestressed Concrete Pile	1	0	0	1	0 Each

Element Number	Defect Type	Defect Description	CS	CS Qty	Maint Qty
226	Abrasion/Wear (PSC/RC)	U/W INSPECTION, SCALING 1/2-3/4" DEEP WITH LOOSE AGGREGATE X 360" FROM WATERLINE DOWN 3'.	3	1	3 Each

General Comments

Bent 50 Pile 7**Prestressed Concrete Pile**

Element Number	Element Name	Total Qty	CS1 Qty	CS2 Qty	CS3 Qty	CS4 Qty
226	Prestressed Concrete Pile	1	0	0	1	0 Each

Element Number	Defect Type	Defect Description	CS	CS Qty	Maint Qty
226	Abrasion/Wear (PSC/RC)	U/W INSPECTION, SCALING 1/2-3/4" DEEP WITH LOOSE AGGREGATE X 360" FROM WATERLINE DOWN 3'.	3	1	3 Each

General Comments

Bent 51 Cap 1**Reinforced Concrete Pier Cap**

Element Number	Element Name	Total Qty	CS1 Qty	CS2 Qty	CS3 Qty	CS4 Qty
234	Reinforced Concrete Pier Cap	29	22	7	0	0 Feet

Element Number	Defect Type	Defect Description	CS	CS Qty	Maint Qty
234	Patched Area	18" WIDE X 18" TALL NEW REPAIR ON WEST FACE OF CAP	2	1	Feet
234	Patched Area	along North face and South face, multiple sound patches [up to 42in x up to 24in]	2	6	Feet
234	Cracking (RC and Other)	BENT 51 CAP HAS SCATTERED CRACKS. [up to 20in x hairline]	1	10	Feet
234	Delamination/Spall	West face, spall [20in x 9in x 4.5in deep] with [2] two exposed primary rebar and [1] one exposed stirrup [no section loss noted] (REPAIRED PRIOR TO 2022 INSPECTION)	1		Feet

General Comments

Bent 51 Pile 1**Prestressed Concrete Pile**

Element Number	Element Name	Total Qty	CS1 Qty	CS2 Qty	CS3 Qty	CS4 Qty
226	Prestressed Concrete Pile	1	0	0	1	0 Each

Element Number	Defect Type	Defect Description	CS	CS Qty	Maint Qty
226	Abrasion/Wear (PSC/RC)	U/W INSPECTION, SCALING 1/2-3/4" DEEP WITH LOOSE AGGREGATE X 360" FROM WATERLINE DOWN 3'.	3	1	3 Each

General Comments

Bent 51 Pile 2**Prestressed Concrete Pile**

Element Number	Element Name	Total Qty	CS1 Qty	CS2 Qty	CS3 Qty	CS4 Qty
226	Prestressed Concrete Pile	1	0	0	1	0 Each

Element Number	Defect Type	Defect Description	CS	CS Qty	Maint Qty
226	Abrasion/Wear (PSC/RC)	U/W INSPECTION, SCALING 1/2-3/4" DEEP WITH LOOSE AGGREGATE X 360" FROM WATERLINE DOWN 3'.	3	1	3 Each

General Comments

Bent 51 Pile 3

Prestressed Concrete Pile

Element Number	Element Name	Total Qty	CS1 Qty	CS2 Qty	CS3 Qty	CS4 Qty
226	Prestressed Concrete Pile	1	0	0	1	0 Each

Element Number	Defect Type	Defect Description	CS	CS Qty	Maint Qty
226	Cracking (PSC)	U/W INSPECTION, MULTIPLE H/L-1/16" CRACKS, MULTIPLE FACES, GENERALLY THESE CRACKS ARE LOST IN THE SCALING AREA. SCALING 1/2-3/4" DEEP WITH LOOSE AGGREGATE X 360* FROM WATERLINE DOWN 3'.	3	1	3 Each

General Comments

Bent 51 Pile 4

Prestressed Concrete Pile

Element Number	Element Name	Total Qty	CS1 Qty	CS2 Qty	CS3 Qty	CS4 Qty
226	Prestressed Concrete Pile	1	0	0	1	0 Each

Element Number	Defect Type	Defect Description	CS	CS Qty	Maint Qty
226	Abrasion/Wear (PSC/RC)	U/W INSPECTION, SCALING 1/2-3/4" DEEP WITH LOOSE AGGREGATE X 360* FROM WATERLINE DOWN 3'.	3	1	3 Each

General Comments

Bent 51 Pile 5

Prestressed Concrete Pile

Element Number	Element Name	Total Qty	CS1 Qty	CS2 Qty	CS3 Qty	CS4 Qty
226	Prestressed Concrete Pile	1	0	0	1	0 Each

Element Number	Defect Type	Defect Description	CS	CS Qty	Maint Qty
226	Abrasion/Wear (PSC/RC)	U/W INSPECTION, SCALING 1/2-3/4" DEEP WITH LOOSE AGGREGATE X 360* FROM WATERLINE DOWN 3'.	3	1	3 Each

General Comments

Bent 51 Pile 6

Prestressed Concrete Pile

Element Number	Element Name	Total Qty	CS1 Qty	CS2 Qty	CS3 Qty	CS4 Qty
226	Prestressed Concrete Pile	1	0	0	1	0 Each

Element Number	Defect Type	Defect Description	CS	CS Qty	Maint Qty
226	Abrasion/Wear (PSC/RC)	U/W INSPECTION, SCALING 1/2-3/4" DEEP WITH LOOSE AGGREGATE X 360* FROM WATERLINE DOWN 3'.	3	1	3 Each

General Comments

Bent 52 Cap 1**Reinforced Concrete Pier Cap**

Element Number	Element Name	Total Qty	CS1 Qty	CS2 Qty	CS3 Qty	CS4 Qty	
234	Reinforced Concrete Pier Cap	29	15	14	0	0	Feet

Element Number	Defect Type	Defect Description	CS	CS Qty	Maint Qty	
234	Cracking (RC and Other)	BENT 52 CAP HAS SCATTERED CRACKS. [up to 1/32in]	2	12		Feet
234	Delamination/Spall	South face under beam 3, delamination [18in x 7in]	2	2	2	Feet

General Comments

Bent 52 Pile 1**Prestressed Concrete Pile**

Element Number	Element Name	Total Qty	CS1 Qty	CS2 Qty	CS3 Qty	CS4 Qty	
226	Prestressed Concrete Pile	1	0	0	1	0	Each

Element Number	Defect Type	Defect Description	CS	CS Qty	Maint Qty	
226	Abrasion/Wear (PSC/RC)	U/W INSPECTION, SCALING 1/2-3/4" DEEP WITH LOOSE AGGREGATE X 360° FROM WATERLINE DOWN 3'.	3	1	3	Each

General Comments

Bent 52 Pile 2**Prestressed Concrete Pile**

Element Number	Element Name	Total Qty	CS1 Qty	CS2 Qty	CS3 Qty	CS4 Qty	
226	Prestressed Concrete Pile	1	0	0	1	0	Each

Element Number	Defect Type	Defect Description	CS	CS Qty	Maint Qty	
226	Abrasion/Wear (PSC/RC)	U/W INSPECTION, SCALING 1/2-3/4" DEEP WITH LOOSE AGGREGATE X 360° FROM WATERLINE DOWN 3'.	3	1	3	Each

General Comments

Bent 52 Pile 3**Prestressed Concrete Pile**

Element Number	Element Name	Total Qty	CS1 Qty	CS2 Qty	CS3 Qty	CS4 Qty	
226	Prestressed Concrete Pile	1	0	0	1	0	Each

Element Number	Defect Type	Defect Description	CS	CS Qty	Maint Qty	
226	Cracking (PSC)	U/W INSPECTION, MULTIPLE CRACKS, MULTIPLE FACES, GENERALLY THESE CRACKS ARE LOST IN THE SCALING AREA. SCALING 1/2-3/4" DEEP WITH LOOSE AGGREGATE X 360° FROM WATERLINE DOWN 3'.	3	1	3	Each

General Comments

Bent 52 Pile 4

Prestressed Concrete Pile

Element Number	Element Name	Total Qty	CS1 Qty	CS2 Qty	CS3 Qty	CS4 Qty
226	Prestressed Concrete Pile	1	0	0	1	0 Each

Element Number	Defect Type	Defect Description	CS	CS Qty	Maint Qty
226	Abrasion/Wear (PSC/RC)	U/W INSPECTION, SCALING 1/2-3/4" DEEP WITH LOOSE AGGREGATE X 360* FROM WATERLINE DOWN 3'.	3	1	3 Each

General Comments

Bent 52 Pile 5

Prestressed Concrete Pile

Element Number	Element Name	Total Qty	CS1 Qty	CS2 Qty	CS3 Qty	CS4 Qty
226	Prestressed Concrete Pile	1	0	0	1	0 Each

Element Number	Defect Type	Defect Description	CS	CS Qty	Maint Qty
226	Abrasion/Wear (PSC/RC)	U/W INSPECTION, SCALING 1/2-3/4" DEEP WITH LOOSE AGGREGATE X 360* FROM WATERLINE DOWN 3'.	3	1	3 Each

General Comments

Bent 52 Pile 6

Prestressed Concrete Pile

Element Number	Element Name	Total Qty	CS1 Qty	CS2 Qty	CS3 Qty	CS4 Qty
226	Prestressed Concrete Pile	1	0	0	1	0 Each

Element Number	Defect Type	Defect Description	CS	CS Qty	Maint Qty
226	Cracking (PSC)	U/W INSPECTION, MULTIPLE H/L CRACKS, MULTIPLE FACES, GENERALLY THESE CRACKS ARE LOST IN THE SCALING AREA. SCALING 1/2-1" DEEP WITH LOOSE AGGREGATE X 360* FROM WATERLINE DOWN 3'.	3	1	3 Each

General Comments

Bent 53 Cap 1

Reinforced Concrete Pier Cap

Element Number	Element Name	Total Qty	CS1 Qty	CS2 Qty	CS3 Qty	CS4 Qty
234	Reinforced Concrete Pier Cap	29	14	15	0	0 Feet

Element Number	Defect Type	Defect Description	CS	CS Qty	Maint Qty
234	Patched Area	along North face and South face, multiple sound patches	2	15	Feet

General Comments

Bent 53

Pile 1

Prestressed Concrete Pile

Element Number	Element Name	Total Qty	CS1 Qty	CS2 Qty	CS3 Qty	CS4 Qty
226	Prestressed Concrete Pile	1	0	0	1	0 Each

Element Number	Defect Type	Defect Description	CS	CS Qty	Maint Qty
226	Abrasion/Wear (PSC/RC)	U/W INSPECTION, SCALING 1/2-3/4" DEEP WITH LOOSE AGGREGATE X 360" FROM WATERLINE DOWN 3'.	3	1	3 Each

General Comments

Bent 53

Pile 2

Prestressed Concrete Pile

Element Number	Element Name	Total Qty	CS1 Qty	CS2 Qty	CS3 Qty	CS4 Qty
226	Prestressed Concrete Pile	1	0	0	1	0 Each

Element Number	Defect Type	Defect Description	CS	CS Qty	Maint Qty
226	Cracking (PSC)	U/W INSPECTION, MULTIPLE H/L CRACKS, MULTIPLE FACES, GENERALLY THESE CRACKS ARE LOST IN THE SCALING AREA. SCALING 1/2-3/4" DEEP WITH LOOSE AGGREGATE X 360" FROM WATERLINE DOWN 3'.	3	1	3 Each

General Comments

Bent 53

Pile 3

Prestressed Concrete Pile

Element Number	Element Name	Total Qty	CS1 Qty	CS2 Qty	CS3 Qty	CS4 Qty
226	Prestressed Concrete Pile	1	0	0	1	0 Each

Element Number	Defect Type	Defect Description	CS	CS Qty	Maint Qty
226	Abrasion/Wear (PSC/RC)	U/W INSPECTION, SCALING 1/2-3/4" DEEP WITH LOOSE AGGREGATE X 360" FROM WATERLINE DOWN 3'.	3	1	3 Each

General Comments

Bent 53

Pile 4

Prestressed Concrete Pile

Element Number	Element Name	Total Qty	CS1 Qty	CS2 Qty	CS3 Qty	CS4 Qty
226	Prestressed Concrete Pile	1	0	0	1	0 Each

Element Number	Defect Type	Defect Description	CS	CS Qty	Maint Qty
226	Abrasion/Wear (PSC/RC)	U/W INSPECTION, SCALING 1/2-3/4" DEEP WITH LOOSE AGGREGATE X 360" FROM WATERLINE DOWN 3'.	3	1	3 Each

General Comments

Bent 53 Pile 5**Prestressed Concrete Pile**

Element Number	Element Name	Total Qty	CS1 Qty	CS2 Qty	CS3 Qty	CS4 Qty	
226	Prestressed Concrete Pile	1	0	0	1	0	Each

Element Number	Defect Type	Defect Description	CS	CS Qty	Maint Qty	
226	Cracking (PSC)	U/W INSPECTION, MULTIPLE H/L-1/16" CRACKS, MULTIPLE FACES, GENERALLY THESE CRACKS ARE LOST IN THE SCALING AREA. SCALING 1/2-3/4" DEEP WITH LOOSE AGGREGATE X 360* FROM WATERLINE DOWN 3'.)	3	1	3	Each

General Comments

Bent 53 Pile 6**Prestressed Concrete Pile**

Element Number	Element Name	Total Qty	CS1 Qty	CS2 Qty	CS3 Qty	CS4 Qty	
226	Prestressed Concrete Pile	1	1	0	0	0	Each

Element Number	Defect Type	Defect Description	CS	CS Qty	Maint Qty	
226	Cracking (PSC)	U/W INSPECTION, MULTIPLE H/L-1/16" CRACKS, MULTIPLE FACES, GENERALLY THESE CRACKS ARE LOST IN THE SCALING AREA. SCALING 1/2-3/4" DEEP WITH LOOSE AGGREGATE X 360* FROM WATERLINE DOWN 3'.) PILE HAS BEEN JACKETED.	1	1		Each

General Comments

PILE HAS BEEN JACKETED

Bent 54 Cap 1**Reinforced Concrete Pier Cap**

Element Number	Element Name	Total Qty	CS1 Qty	CS2 Qty	CS3 Qty	CS4 Qty	
234	Reinforced Concrete Pier Cap	29	0	29	0	0	Feet

Element Number	Defect Type	Defect Description	CS	CS Qty	Maint Qty	
234	Patched Area	BENT 54 CAP HAS SCATTERED PATCHED AREAS WITH SOME HAIRLINE CRACKS. PATCHES ARE SOUND.	2	29		Feet

General Comments

Bent 54 Pile 1**Prestressed Concrete Pile**

Element Number	Element Name	Total Qty	CS1 Qty	CS2 Qty	CS3 Qty	CS4 Qty	
226	Prestressed Concrete Pile	1	0	0	1	0	Each

Element Number	Defect Type	Defect Description	CS	CS Qty	Maint Qty	
226	Cracking (PSC)	U/W INSPECTION, MULTIPLE H/L CRACKS, MULTIPLE FACES, GENERALLY THESE CRACKS ARE LOST IN THE SCALING AREA. SCALING 1/2-3/4" DEEP WITH LOOSE AGGREGATE X 360* FROM WATERLINE DOWN 3'.	3	1	3	Each

General Comments

Bent 54 Pile 2**Prestressed Concrete Pile**

Element Number	Element Name	Total Qty	CS1 Qty	CS2 Qty	CS3 Qty	CS4 Qty
226	Prestressed Concrete Pile	1	0	0	1	0 Each

Element Number	Defect Type	Defect Description	CS	CS Qty	Maint Qty
226	Cracking (PSC)	U/W INSPECTION, MULTIPLE H/L-1/16" CRACKS, MULTIPLE FACES, GENERALLY THESE CRACKS ARE LOST IN THE SCALING AREA. SCALING 1/2-3/4" DEEP WITH LOOSE AGGREGATE X 360* FROM WATERLINE DOWN 3'.	3	1	3 Each

General Comments

Bent 54 Pile 3**Prestressed Concrete Pile**

Element Number	Element Name	Total Qty	CS1 Qty	CS2 Qty	CS3 Qty	CS4 Qty
226	Prestressed Concrete Pile	1	0	0	1	0 Each

Element Number	Defect Type	Defect Description	CS	CS Qty	Maint Qty
226	Cracking (PSC)	U/W INSPECTION, MULTIPLE H/L-1/32" CRACKS, MULTIPLE FACES, GENERALLY THESE CRACKS ARE LOST IN THE SCALING AREA. SCALING 1/2-3/4" DEEP WITH LOOSE AGGREGATE X 360* FROM WATERLINE DOWN 3'.	3	1	3 Each

General Comments

Bent 54 Pile 4**Prestressed Concrete Pile**

Element Number	Element Name	Total Qty	CS1 Qty	CS2 Qty	CS3 Qty	CS4 Qty
226	Prestressed Concrete Pile	1	0	0	1	0 Each

Element Number	Defect Type	Defect Description	CS	CS Qty	Maint Qty
226	Cracking (PSC)	U/W INSPECTION, MULTIPLE H/L-1/32" CRACKS, MULTIPLE FACES, GENERALLY THESE CRACKS ARE LOST IN THE SCALING AREA. SCALING 1/2-3/4" DEEP WITH LOOSE AGGREGATE X 360* FROM WATERLINE DOWN 3'.	3	1	3 Each

General Comments

Bent 54 Pile 5**Prestressed Concrete Pile**

Element Number	Element Name	Total Qty	CS1 Qty	CS2 Qty	CS3 Qty	CS4 Qty
226	Prestressed Concrete Pile	1	0	0	1	0 Each

Element Number	Defect Type	Defect Description	CS	CS Qty	Maint Qty
226	Cracking (PSC)	U/W INSPECTION, MULTIPLE H/L CRACKS, MULTIPLE FACES, GENERALLY THESE CRACKS ARE LOST IN THE SCALING AREA. SCALING 1/2-3/4" DEEP WITH LOOSE AGGREGATE X 360* FROM WATERLINE DOWN 3'.	3	1	3 Each

General Comments

Bent 54 Pile 6

Prestressed Concrete Pile

Element Number	Element Name	Total Qty	CS1 Qty	CS2 Qty	CS3 Qty	CS4 Qty
226	Prestressed Concrete Pile	1	0	0	1	0 Each

Element Number	Defect Type	Defect Description	CS	CS Qty	Maint Qty
226	Cracking (PSC)	U/W INSPECTION, MULTIPLE H/L-1/16" CRACKS, MULTIPLE FACES, GENERALLY THESE CRACKS ARE LOST IN THE SCALING AREA. SCALING 1/2-3/4" DEEP WITH LOOSE AGGREGATE X 360* FROM WATERLINE DOWN 3'.	3	1	3 Each

General Comments

Bent 54 Pile 7

Prestressed Concrete Pile

Element Number	Element Name	Total Qty	CS1 Qty	CS2 Qty	CS3 Qty	CS4 Qty
226	Prestressed Concrete Pile	1	1	0	0	0 Each

Element Number	Defect Type	Defect Description	CS	CS Qty	Maint Qty
----------------	-------------	--------------------	----	--------	-----------

General Comments

PILE HAS BEEN JACKETED.

Bent 55 Cap 1

Reinforced Concrete Pier Cap

Element Number	Element Name	Total Qty	CS1 Qty	CS2 Qty	CS3 Qty	CS4 Qty
234	Reinforced Concrete Pier Cap	29	14	15	0	0 Feet

Element Number	Defect Type	Defect Description	CS	CS Qty	Maint Qty
234	Delamination/Spall	BENT 55 CAP TOP AND NORTH FACE UNDER GIRDER 1. HAS A SPALLED AND DELAMINATED AREA. AREA IS: FROM TOP EDGE BACK 6", FROM TOP EDGE DOWN 10" x 24", TOTAL AREA IS 2.5' LONG X 24" DELAMINATION WITH UP TO 8" DEEP SPALLING WITH EXPOSED REBAR	2	3	3 Feet
234	Delamination/Spall	South face below beam 2, delamination [24in x up to 8in]	2	2	2 Feet
234	Patched Area	along North face and South face, multiple sound patches [up to 5ft x full height]	2	10	Feet

General Comments

Bent 55 Pile 1

Prestressed Concrete Pile

Element Number	Element Name	Total Qty	CS1 Qty	CS2 Qty	CS3 Qty	CS4 Qty
226	Prestressed Concrete Pile	1	0	0	1	0 Each

Element Number	Defect Type	Defect Description	CS	CS Qty	Maint Qty
226	Abrasion/Wear (PSC/RC)	U/W INSPECTION, SCALING 1/2-3/4" DEEP WITH LOOSE AGGREGATE X 360* FROM WATERLINE DOWN 3'.	3	1	3 Each

General Comments

Bent 55 Pile 2

Prestressed Concrete Pile

Element Number	Element Name	Total Qty	CS1 Qty	CS2 Qty	CS3 Qty	CS4 Qty
226	Prestressed Concrete Pile	1	0	0	1	0 Each

Element Number	Defect Type	Defect Description	CS	CS Qty	Maint Qty
226	Abrasion/Wear (PSC/RC)	U/W INSPECTION, SCALING 1/2-3/4" DEEP WITH LOOSE AGGREGATE X 360* FROM WATERLINE DOWN 3'.	3	1	3 Each

General Comments

Bent 55 Pile 3

Prestressed Concrete Pile

Element Number	Element Name	Total Qty	CS1 Qty	CS2 Qty	CS3 Qty	CS4 Qty
226	Prestressed Concrete Pile	1	0	0	1	0 Each

Element Number	Defect Type	Defect Description	CS	CS Qty	Maint Qty
226	Abrasion/Wear (PSC/RC)	U/W INSPECTION, SCALING 1/2-3/4" DEEP WITH LOOSE AGGREGATE X 360* FROM WATERLINE DOWN 3'.	3	1	3 Each

General Comments

Bent 55 Pile 4

Prestressed Concrete Pile

Element Number	Element Name	Total Qty	CS1 Qty	CS2 Qty	CS3 Qty	CS4 Qty
226	Prestressed Concrete Pile	1	0	0	1	0 Each

Element Number	Defect Type	Defect Description	CS	CS Qty	Maint Qty
226	Abrasion/Wear (PSC/RC)	U/W INSPECTION, SCALING 1/2-3/4" DEEP WITH LOOSE AGGREGATE X 360* FROM WATERLINE DOWN 3'.	3	1	3 Each

General Comments

Bent 55 Pile 5

Prestressed Concrete Pile

Element Number	Element Name	Total Qty	CS1 Qty	CS2 Qty	CS3 Qty	CS4 Qty
226	Prestressed Concrete Pile	1	0	0	1	0 Each

Element Number	Defect Type	Defect Description	CS	CS Qty	Maint Qty
226	Cracking (PSC)	U/W INSPECTION, MULTIPLE H/L CRACKS, MULTIPLE FACES, GENERALLY THESE CRACKS ARE LOST IN THE SCALING AREA. SCALING 1/2-1" DEEP WITH LOOSE AGGREGATE X 360* FROM WATERLINE DOWN 3'.	3	1	3 Each

General Comments

Bent 55 Pile 6**Prestressed Concrete Pile**

Element Number	Element Name	Total Qty	CS1 Qty	CS2 Qty	CS3 Qty	CS4 Qty	
226	Prestressed Concrete Pile	1	0	0	1	0	Each

Element Number	Defect Type	Defect Description	CS	CS Qty	Maint Qty	
226	Cracking (PSC)	U/W INSPECTION, MULTIPLE H/L CRACKS, MULTIPLE FACES, GENERALLY THESE CRACKS ARE LOST IN THE SCALING AREA. SCALING 1/2-1" DEEP WITH LOOSE AGGREGATE X 360* FROM WATERLINE DOWN 3'.	3	1	3	Each

General Comments

Bent 56 Cap 1**Reinforced Concrete Pier Cap**

Element Number	Element Name	Total Qty	CS1 Qty	CS2 Qty	CS3 Qty	CS4 Qty	
234	Reinforced Concrete Pier Cap	29	9	20	0	0	Feet

Element Number	Defect Type	Defect Description	CS	CS Qty	Maint Qty	
234	Patched Area	BENT 56 CAP HAS SCATTERED PATCHED AREAS WITH SOME HAIRLINE CRACKS. PATCHES ARE SOUND.	2	17		Feet
234	Patched Area	BENT 56 CAP SOUTH FACE BAY 2. HAS A PATCHED AREA THAT IS SOUND.	2	3		Feet

General Comments

Bent 56 Pile 1**Prestressed Concrete Pile**

Element Number	Element Name	Total Qty	CS1 Qty	CS2 Qty	CS3 Qty	CS4 Qty	
226	Prestressed Concrete Pile	1	0	0	1	0	Each

Element Number	Defect Type	Defect Description	CS	CS Qty	Maint Qty	
226	Abrasion/Wear (PSC/RC)	U/W INSPECTION, MULTIPLE H/L-1/16" CRACKS, MULTIPLE FACES, GENERALLY THESE CRACKS ARE LOST IN THE SCALING AREA. SCALING 1/2-3/4" DEEP WITH LOOSE AGGREGATE X 360* FROM WATERLINE DOWN 3'.	3	1	3	Each

General Comments

Bent 56 Pile 2**Prestressed Concrete Pile**

Element Number	Element Name	Total Qty	CS1 Qty	CS2 Qty	CS3 Qty	CS4 Qty	
226	Prestressed Concrete Pile	1	0	0	1	0	Each

Element Number	Defect Type	Defect Description	CS	CS Qty	Maint Qty	
226	Abrasion/Wear (PSC/RC)	U/W INSPECTION, SCALING 1/2-3/4" DEEP WITH LOOSE AGGREGATE X 360* FROM WATERLINE DOWN 3'.	3	1	3	Each

General Comments

Bent 56 Pile 3

Prestressed Concrete Pile

Element Number	Element Name	Total Qty	CS1 Qty	CS2 Qty	CS3 Qty	CS4 Qty
226	Prestressed Concrete Pile	1	0	0	1	0 Each

Element Number	Defect Type	Defect Description	CS	CS Qty	Maint Qty
226	Abrasion/Wear (PSC/RC)	U/W INSPECTION, SCALING 1/2-3/4" DEEP WITH LOOSE AGGREGATE X 360* FROM WATERLINE DOWN 3'.	3	1	3 Each

General Comments

Bent 56 Pile 4

Prestressed Concrete Pile

Element Number	Element Name	Total Qty	CS1 Qty	CS2 Qty	CS3 Qty	CS4 Qty
226	Prestressed Concrete Pile	1	0	0	1	0 Each

Element Number	Defect Type	Defect Description	CS	CS Qty	Maint Qty
226	Cracking (PSC)	U/W INSPECTION, MULTIPLE H/L-1/16" CRACKS, MULTIPLE FACES, GENERALLY THESE CRACKS ARE LOST IN THE SCALING AREA. SCALING 1/2-3/4" DEEP WITH LOOSE AGGREGATE X 360* FROM WATERLINE DOWN 3'.	3	1	3 Each

General Comments

Bent 56 Pile 5

Prestressed Concrete Pile

Element Number	Element Name	Total Qty	CS1 Qty	CS2 Qty	CS3 Qty	CS4 Qty
226	Prestressed Concrete Pile	1	0	0	1	0 Each

Element Number	Defect Type	Defect Description	CS	CS Qty	Maint Qty
226	Cracking (PSC)	U/W INSPECTION, MULTIPLE H/L-1/16" CRACKS, MULTIPLE FACES, GENERALLY THESE CRACKS ARE LOST IN THE SCALING AREA. SCALING 1/2-3/4" DEEP WITH LOOSE AGGREGATE X 360* FROM WATERLINE DOWN 3'.	3	1	3 Each

General Comments

Bent 56 Pile 6

Prestressed Concrete Pile

Element Number	Element Name	Total Qty	CS1 Qty	CS2 Qty	CS3 Qty	CS4 Qty
226	Prestressed Concrete Pile	1	1	0	0	0 Each

Element Number	Defect Type	Defect Description	CS	CS Qty	Maint Qty
226	Abrasion/Wear (PSC/RC)	U/W INSPECTION, MULTIPLE H/L-1/16" CRACKS, MULTIPLE FACES, GENERALLY THESE CRACKS ARE LOST IN THE SCALING AREA. SCALING 1/2-3/4" DEEP WITH LOOSE AGGREGATE X 360* FROM WATERLINE DOWN 3'. PILE HAS BEEN JACKETED.	1	1	Each

General Comments

PILE HAS BEEN JACKETED.

Bent 57 Cap 1**Reinforced Concrete Pier Cap**

Element Number	Element Name	Total Qty	CS1 Qty	CS2 Qty	CS3 Qty	CS4 Qty
234	Reinforced Concrete Pier Cap	29	0	29	0	0 Feet

Element Number	Defect Type	Defect Description	CS	CS Qty	Maint Qty
234	Cracking (RC and Other)	BENT 57 CAP HAS SCATTERED CRACKS. [up to 0.012in]	2	12	Feet
234	Patched Area	BENT 57 CAP HAS SCATTERED PATCHED AREAS WITH SOME HAIRLINE CRACKS. PATCHES ARE SOUND.	2	17	Feet

General Comments

Bent 57 Pile 1**Prestressed Concrete Pile**

Element Number	Element Name	Total Qty	CS1 Qty	CS2 Qty	CS3 Qty	CS4 Qty
226	Prestressed Concrete Pile	1	0	0	1	0 Each

Element Number	Defect Type	Defect Description	CS	CS Qty	Maint Qty
226	Cracking (PSC)	U/W INSPECTION, MULTIPLE H/L-1/16" CRACKS, MULTIPLE FACES, GENERALLY THESE CRACKS ARE LOST IN THE SCALING AREA. SCALING 1/2-1" DEEP WITH LOOSE AGGREGATE X 360° FROM WATERLINE DOWN 3'.	3	1	3 Each

General Comments

Bent 57 Pile 2**Prestressed Concrete Pile**

Element Number	Element Name	Total Qty	CS1 Qty	CS2 Qty	CS3 Qty	CS4 Qty
226	Prestressed Concrete Pile	1	0	0	1	0 Each

Element Number	Defect Type	Defect Description	CS	CS Qty	Maint Qty
226	Abrasion/Wear (PSC/RC)	U/W INSPECTION, SCALING 1/2-1" DEEP WITH LOOSE AGGREGATE X 360° FROM WATERLINE DOWN 3'.	3	1	3 Each

General Comments

Bent 57 Pile 3**Prestressed Concrete Pile**

Element Number	Element Name	Total Qty	CS1 Qty	CS2 Qty	CS3 Qty	CS4 Qty
226	Prestressed Concrete Pile	1	0	0	1	0 Each

Element Number	Defect Type	Defect Description	CS	CS Qty	Maint Qty
226	Cracking (PSC)	U/W INSPECTION, MULTIPLE H/L-1/16" CRACKS, MULTIPLE FACES, GENERALLY THESE CRACKS ARE LOST IN THE SCALING AREA. SCALING 1/2-1" DEEP WITH LOOSE AGGREGATE X 360° FROM WATERLINE DOWN 3'.	3	1	3 Each

General Comments

Bent 57 Pile 4**Prestressed Concrete Pile**

Element Number	Element Name	Total Qty	CS1 Qty	CS2 Qty	CS3 Qty	CS4 Qty
226	Prestressed Concrete Pile	1	0	0	1	0 Each

Element Number	Defect Type	Defect Description	CS	CS Qty	Maint Qty
226	Cracking (PSC)	U/W INSPECTION, MULTIPLE H/L 1/16" CRACKS, MULTIPLE FACES, GENERALLY THESE CRACKS ARE LOST IN THE SCALING AREA. SCALING 1/2-3/4" DEEP WITH LOOSE AGGREGATE X 360* FROM WATERLINE DOWN 3'.	3	1	3 Each

General Comments

Bent 57 Pile 5**Prestressed Concrete Pile**

Element Number	Element Name	Total Qty	CS1 Qty	CS2 Qty	CS3 Qty	CS4 Qty
226	Prestressed Concrete Pile	1	0	0	1	0 Each

Element Number	Defect Type	Defect Description	CS	CS Qty	Maint Qty
226	Abrasion/Wear (PSC/RC)	U/W INSPECTION, SCALING 1/2-3/4" DEEP WITH LOOSE AGGREGATE X 360* FROM WATERLINE DOWN 3'.	3	1	3 Each

General Comments

Bent 57 Pile 6**Prestressed Concrete Pile**

Element Number	Element Name	Total Qty	CS1 Qty	CS2 Qty	CS3 Qty	CS4 Qty
226	Prestressed Concrete Pile	1	0	0	1	0 Each

Element Number	Defect Type	Defect Description	CS	CS Qty	Maint Qty
226	Abrasion/Wear (PSC/RC)	U/W INSPECTION, SCALING 1/2-1" DEEP WITH LOOSE AGGREGATE X 360* FROM WATERLINE DOWN 3'.	3	1	3 Each

General Comments

Bent 58 Cap 1**Reinforced Concrete Pier Cap**

Element Number	Element Name	Total Qty	CS1 Qty	CS2 Qty	CS3 Qty	CS4 Qty
234	Reinforced Concrete Pier Cap	29	13	14	2	0 Feet

Element Number	Defect Type	Defect Description	CS	CS Qty	Maint Qty
234	Cracking (RC and Other)	South face at East end, multiple vertical cracks and horizontal cracks [up to 11in x up to 1/16in]	3	2	2 Feet
234	Patched Area	BENT 58 CAP HAS SCATTERED PATCHED AREAS WITH SOME HAIRLINE CRACKS. PATCHES ARE SOUND.	2	14	Feet

General Comments

Bent 58 Pile 1

Prestressed Concrete Pile

Element Number	Element Name	Total Qty	CS1 Qty	CS2 Qty	CS3 Qty	CS4 Qty
226	Prestressed Concrete Pile	1	0	0	1	0 Each

Element Number	Defect Type	Defect Description	CS	CS Qty	Maint Qty
226	Cracking (PSC)	U/W INSPECTION, MULTIPLE H/L-1/16" CRACKS, MULTIPLE FACES, GENERALLY THESE CRACKS ARE LOST IN THE SCALING AREA. SCALING 1/2-1" DEEP WITH LOOSE AGGREGATE X 360* FROM WATERLINE DOWN 4'.	3	1	4 Each

General Comments

Bent 58 Pile 2

Prestressed Concrete Pile

Element Number	Element Name	Total Qty	CS1 Qty	CS2 Qty	CS3 Qty	CS4 Qty
226	Prestressed Concrete Pile	1	0	0	1	0 Each

Element Number	Defect Type	Defect Description	CS	CS Qty	Maint Qty
226	Cracking (PSC)	U/W INSPECTION, MULTIPLE H/L-1/16" CRACKS, MULTIPLE FACES, GENERALLY THESE CRACKS ARE LOST IN THE SCALING AREA. SCALING 1/2-1" DEEP WITH LOOSE AGGREGATE X 360* FROM WATERLINE DOWN 4'.	3	1	4 Each

General Comments

Bent 58 Pile 3

Prestressed Concrete Pile

Element Number	Element Name	Total Qty	CS1 Qty	CS2 Qty	CS3 Qty	CS4 Qty
226	Prestressed Concrete Pile	1	0	0	1	0 Each

Element Number	Defect Type	Defect Description	CS	CS Qty	Maint Qty
226	Cracking (PSC)	MULTIPLE H/L - 1/16" WIDE CRACKS, MULTIPLE FACES, W/L DOWN 4', GENERALLY THESE CRACKS ARE LOST IN THE SCALING AREA. SCALING TO 1/2" - 1" DEEP WITH LOOSE AGGREGATE X 360* FROM WATERLINE DOWN 4'. (12 LINEAR FT. OF PILE INSPECTED)	3	1	4 Each

General Comments

Bent 58 Pile 4

Prestressed Concrete Pile

Element Number	Element Name	Total Qty	CS1 Qty	CS2 Qty	CS3 Qty	CS4 Qty
226	Prestressed Concrete Pile	1	0	0	1	0 Each

Element Number	Defect Type	Defect Description	CS	CS Qty	Maint Qty
226	Cracking (PSC)	U/W INSPECTION, MULTIPLE H/L-1/16" CRACKS, MULTIPLE FACES, GENERALLY THESE CRACKS ARE LOST IN THE SCALING AREA. SCALING 1/2-3/4" DEEP WITH LOOSE AGGREGATE X 360* FROM WATERLINE DOWN 4'.	3	1	4 Each

General Comments

Bent 58

Pile 5

Prestressed Concrete Pile

Element Number	Element Name	Total Qty	CS1 Qty	CS2 Qty	CS3 Qty	CS4 Qty
226	Prestressed Concrete Pile	1	0	0	1	0 Each

Element Number	Defect Type	Defect Description	CS	CS Qty	Maint Qty
226	Cracking (PSC)	U/W INSPECTION, MULTIPLE H/L-1/16" CRACKS, MULTIPLE FACES, GENERALLY THESE CRACKS ARE LOST IN THE SCALING AREA. SCALING 1/2-3/4" DEEP WITH LOOSE AGGREGATE X 360* FROM WATERLINE DOWN 4'.	3	1	4 Each

General Comments

Bent 58

Pile 6

Prestressed Concrete Pile

Element Number	Element Name	Total Qty	CS1 Qty	CS2 Qty	CS3 Qty	CS4 Qty
226	Prestressed Concrete Pile	1	0	0	1	0 Each

Element Number	Defect Type	Defect Description	CS	CS Qty	Maint Qty
226	Cracking (PSC)	U/W INSPECTION, MULTIPLE H/L-1/16" CRACKS, MULTIPLE FACES, GENERALLY THESE CRACKS ARE LOST IN THE SCALING AREA. SCALING 1/2-3/4" DEEP WITH LOOSE AGGREGATE X 360* FROM WATERLINE DOWN 4'.	3	1	4 Each

General Comments

Bent 58

Pile 7

Prestressed Concrete Pile

Element Number	Element Name	Total Qty	CS1 Qty	CS2 Qty	CS3 Qty	CS4 Qty
226	Prestressed Concrete Pile	1	0	0	1	0 Each

Element Number	Defect Type	Defect Description	CS	CS Qty	Maint Qty
226	Cracking (PSC)	U/W INSPECTION, MULTIPLE H/L-1/16" CRACKS, MULTIPLE FACES, GENERALLY THESE CRACKS ARE LOST IN THE SCALING AREA. SCALING 1/2-3/4" DEEP WITH LOOSE AGGREGATE X 360* FROM WATERLINE DOWN 4'.	3	1	4 Each

General Comments

Bent 59

Cap 1

Reinforced Concrete Pier Cap

Element Number	Element Name	Total Qty	CS1 Qty	CS2 Qty	CS3 Qty	CS4 Qty
234	Reinforced Concrete Pier Cap	29	7	22	0	0 Feet

Element Number	Defect Type	Defect Description	CS	CS Qty	Maint Qty
234	Patched Area	BENT 59 CAP HAS SCATTERED PATCHED AREAS WITH SOME HAIRLINE CRACKS. PATCHES ARE SOUND.	2	18	Feet
234	Patched Area	BENT 59 CAP NORTH FACE UNDER BEAM 2. HAS A PATCHED AREA THAT IS SOUND.	2	4	Feet

General Comments

Bent 59 Pile 1**Prestressed Concrete Pile**

Element Number	Element Name	Total Qty	CS1 Qty	CS2 Qty	CS3 Qty	CS4 Qty
226	Prestressed Concrete Pile	1	0	0	1	0 Each

Element Number	Defect Type	Defect Description	CS	CS Qty	Maint Qty
226	Abrasion/Wear (PSC/RC)	U/W INSPECTION, SCALING 1/2-1" DEEP WITH LOOSE AGGREGATE X 360" FROM WATERLINE DOWN 4'.	3	1	4 Each

General Comments

Bent 59 Pile 2**Prestressed Concrete Pile**

Element Number	Element Name	Total Qty	CS1 Qty	CS2 Qty	CS3 Qty	CS4 Qty
226	Prestressed Concrete Pile	1	0	0	1	0 Each

Element Number	Defect Type	Defect Description	CS	CS Qty	Maint Qty
226	Abrasion/Wear (PSC/RC)	U/W INSPECTION, SCALING 1/2-3/4" DEEP WITH LOOSE AGGREGATE X 360" FROM WATERLINE DOWN 4'.	3	1	4 Each

General Comments

Bent 59 Pile 3**Prestressed Concrete Pile**

Element Number	Element Name	Total Qty	CS1 Qty	CS2 Qty	CS3 Qty	CS4 Qty
226	Prestressed Concrete Pile	1	0	0	1	0 Each

Element Number	Defect Type	Defect Description	CS	CS Qty	Maint Qty
226	Abrasion/Wear (PSC/RC)	U/W INSPECTION, SCALING 1/2-1" DEEP WITH LOOSE AGGREGATE X 360" FROM WATERLINE DOWN 4'.	3	1	4 Each

General Comments

Bent 59 Pile 4**Prestressed Concrete Pile**

Element Number	Element Name	Total Qty	CS1 Qty	CS2 Qty	CS3 Qty	CS4 Qty
226	Prestressed Concrete Pile	1	0	0	1	0 Each

Element Number	Defect Type	Defect Description	CS	CS Qty	Maint Qty
226	Abrasion/Wear (PSC/RC)	U/W INSPECTION, SCALING 1/2-3/4" DEEP WITH LOOSE AGGREGATE X 360" FROM WATERLINE DOWN 4'.	3	1	4 Each

General Comments

Bent 59 Pile 5

Prestressed Concrete Pile

Element Number	Element Name	Total Qty	CS1 Qty	CS2 Qty	CS3 Qty	CS4 Qty	
226	Prestressed Concrete Pile	1	0	0	1	0	Each

Element Number	Defect Type	Defect Description	CS	CS Qty	Maint Qty	
226	Abrasion/Wear (PSC/RC)	U/W INSPECTION, SCALING 1/2-3/4" DEEP WITH LOOSE AGGREGATE X 360* FROM WATERLINE DOWN 4'.	3	1	4	Each

General Comments

Bent 59 Pile 6

Prestressed Concrete Pile

Element Number	Element Name	Total Qty	CS1 Qty	CS2 Qty	CS3 Qty	CS4 Qty	
226	Prestressed Concrete Pile	1	1	0	0	0	Each

Element Number	Defect Type	Defect Description	CS	CS Qty	Maint Qty	
226	Cracking (PSC)	U/W INSPECTION; MULTIPLE H/L CRACKS, MULTIPLE FACES, W/L DOWN 4', GENERALLY THESE CRACKS ARE LOST IN THE SCALING AREA. SCALING TO 1/2" - 3/4" DEEP WITH LOOSE AGGREGATE X 360*. PILE HAS BEEN JACKETED.	1	1		Each

General Comments

PILE HAS BEEN JACKETED.

Bent 60 Cap 1

Reinforced Concrete Pier Cap

Element Number	Element Name	Total Qty	CS1 Qty	CS2 Qty	CS3 Qty	CS4 Qty	
234	Reinforced Concrete Pier Cap	29	12	17	0	0	Feet

Element Number	Defect Type	Defect Description	CS	CS Qty	Maint Qty	
234	Patched Area	BENT 60 CAP HAS SCATTERED PATCHED AREAS WITH SOME HAIRLINE CRACKS. PATCHES ARE SOUND.	2	17		Feet

General Comments

Bent 60 Pile 1

Prestressed Concrete Pile

Element Number	Element Name	Total Qty	CS1 Qty	CS2 Qty	CS3 Qty	CS4 Qty	
226	Prestressed Concrete Pile	1	0	0	1	0	Each

Element Number	Defect Type	Defect Description	CS	CS Qty	Maint Qty	
226	Cracking (PSC)	U/W INSPECTION, MULTIPLE H/L-1/16" CRACKS, MULTIPLE FACES, GENERALLY THESE CRACKS ARE LOST IN THE SCALING AREA. SCALING 1/2-1" DEEP WITH LOOSE AGGREGATE X 360* FROM WATERLINE DOWN 4'.	3	1	4	Each

General Comments

Bent 60 Pile 2

Prestressed Concrete Pile

Element Number	Element Name	Total Qty	CS1 Qty	CS2 Qty	CS3 Qty	CS4 Qty
226	Prestressed Concrete Pile	1	1	0	0	0 Each

Element Number	Defect Type	Defect Description	CS	CS Qty	Maint Qty
226	Cracking (PSC)	U/W INSPECTION; MULTIPLE H/L CRACKS, MULTIPLE FACES, W/L DOWN 4'. GENERALLY THESE CRACKS ARE LOST IN THE SCALING AREA. SCALING TO 1/2" - 3/4" DEEP WITH LOOSE AGGREGATE X 360*. PILE HAS BEEN JACKETED.	1	1	Each

General Comments

PILE HAS BEEN JACKETED.

Bent 60 Pile 3

Prestressed Concrete Pile

Element Number	Element Name	Total Qty	CS1 Qty	CS2 Qty	CS3 Qty	CS4 Qty
226	Prestressed Concrete Pile	1	0	0	1	0 Each

Element Number	Defect Type	Defect Description	CS	CS Qty	Maint Qty
226	Cracking (PSC)	U/W INSPECTION, MULTIPLE H/L-1/16" CRACKS, MULTIPLE FACES, GENERALLY THESE CRACKS ARE LOST IN THE SCALING AREA. SCALING 1/2-1" DEEP WITH LOOSE AGGREGATE X 360* FROM WATERLINE DOWN 4'.	3	1	4 Each

General Comments

Bent 60 Pile 4

Prestressed Concrete Pile

Element Number	Element Name	Total Qty	CS1 Qty	CS2 Qty	CS3 Qty	CS4 Qty
226	Prestressed Concrete Pile	1	0	0	1	0 Each

Element Number	Defect Type	Defect Description	CS	CS Qty	Maint Qty
226	Cracking (PSC)	U/W INSPECTION, MULTIPLE H/L-1/16" CRACKS, MULTIPLE FACES, GENERALLY THESE CRACKS ARE LOST IN THE SCALING AREA. SCALING 1/2-1" DEEP WITH LOOSE AGGREGATE X 360* FROM WATERLINE DOWN 4'.	3	1	4 Each

General Comments

Bent 60 Pile 5

Prestressed Concrete Pile

Element Number	Element Name	Total Qty	CS1 Qty	CS2 Qty	CS3 Qty	CS4 Qty
226	Prestressed Concrete Pile	1	0	0	1	0 Each

Element Number	Defect Type	Defect Description	CS	CS Qty	Maint Qty
226	Cracking (PSC)	U/W INSPECTION, MULTIPLE H/L-1/16" CRACKS, MULTIPLE FACES, GENERALLY THESE CRACKS ARE LOST IN THE SCALING AREA. SCALING 1/2-1" DEEP WITH LOOSE AGGREGATE X 360* FROM WATERLINE DOWN 4'.	3	1	4 Each

General Comments

Bent 60 Pile 6

Prestressed Concrete Pile

Element Number	Element Name	Total Qty	CS1 Qty	CS2 Qty	CS3 Qty	CS4 Qty
226	Prestressed Concrete Pile	1	1	0	0	0 Each

Element Number	Defect Type	Defect Description	CS	CS Qty	Maint Qty
226	Abrasion/Wear (PSC/RC)	U/W INSPECTION, MULTIPLE H/L-1/16" CRACKS, MULTIPLE FACES, GENERALLY THESE CRACKS ARE LOST IN THE SCALING AREA. SCALING 1/2-1" DEEP WITH LOOSE AGGREGATE X 360* FROM WATERLINE DOWN 4'. PILE HAS BEEN JACKETED.	1	1	Each

General Comments

PILE HAS BEEN JACKETED.

Bent 61 Cap 1

Reinforced Concrete Pier Cap

Element Number	Element Name	Total Qty	CS1 Qty	CS2 Qty	CS3 Qty	CS4 Qty
234	Reinforced Concrete Pier Cap	29	10	19	0	0 Feet

Element Number	Defect Type	Defect Description	CS	CS Qty	Maint Qty
234	Cracking (RC and Other)	1/32" HORIZONTAL CRACKING IN PATCHED AREA ON NORTHEAST CORNER	2	1	Feet
234	Patched Area	BENT 61 CAP HAS SCATTERED PATCHED AREAS WITH SOME HAIRLINE CRACKS. PATCHES ARE SOUND.	2	15	Feet
234	Patched Area	BENT 61 CAP NORTH FACE BAY 3. HAS A PATCHED AREA THAT IS SOUND.	2	3	Feet

General Comments

Bent 61 Pile 1

Prestressed Concrete Pile

Element Number	Element Name	Total Qty	CS1 Qty	CS2 Qty	CS3 Qty	CS4 Qty
226	Prestressed Concrete Pile	1	0	0	1	0 Each

Element Number	Defect Type	Defect Description	CS	CS Qty	Maint Qty
226	Abrasion/Wear (PSC/RC)	U/W INSPECTION, SCALING 1/2-1" DEEP WITH LOOSE AGGREGATE X 360* FROM WATERLINE DOWN 4'.	3	1	4 Each

General Comments

Bent 61 Pile 2

Prestressed Concrete Pile

Element Number	Element Name	Total Qty	CS1 Qty	CS2 Qty	CS3 Qty	CS4 Qty
226	Prestressed Concrete Pile	1	0	0	1	0 Each

Element Number	Defect Type	Defect Description	CS	CS Qty	Maint Qty
226	Cracking (PSC)	U/W INSPECTION, MULTIPLE H/L-1/16" CRACKS, MULTIPLE FACES, GENERALLY THESE CRACKS ARE LOST IN THE SCALING AREA. SCALING 1/2-1" DEEP WITH LOOSE AGGREGATE X 360* FROM WATERLINE DOWN 4'.	3	1	4 Each

General Comments

Bent 61 Pile 3

Prestressed Concrete Pile

Element Number	Element Name	Total Qty	CS1 Qty	CS2 Qty	CS3 Qty	CS4 Qty
226	Prestressed Concrete Pile	1	0	0	1	0 Each

Element Number	Defect Type	Defect Description	CS	CS Qty	Maint Qty
226	Abrasion/Wear (PSC/RC)	U/W INSPECTION, SCALING 1/2-3/4" DEEP WITH LOOSE AGGREGATE X 360* FROM WATERLINE DOWN 4'.	3	1	4 Each

General Comments

Bent 61 Pile 4

Prestressed Concrete Pile

Element Number	Element Name	Total Qty	CS1 Qty	CS2 Qty	CS3 Qty	CS4 Qty
226	Prestressed Concrete Pile	1	0	0	1	0 Each

Element Number	Defect Type	Defect Description	CS	CS Qty	Maint Qty
226	Cracking (PSC)	U/W INSPECTION, MULTIPLE H/L-1/16" CRACKS, MULTIPLE FACES, GENERALLY THESE CRACKS ARE LOST IN THE SCALING AREA. SCALING 1/2-3/4" DEEP WITH LOOSE AGGREGATE X 360* FROM WATERLINE DOWN 4'.	3	1	4 Each

General Comments

Bent 61 Pile 5

Prestressed Concrete Pile

Element Number	Element Name	Total Qty	CS1 Qty	CS2 Qty	CS3 Qty	CS4 Qty
226	Prestressed Concrete Pile	1	0	0	1	0 Each

Element Number	Defect Type	Defect Description	CS	CS Qty	Maint Qty
226	Abrasion/Wear (PSC/RC)	U/W INSPECTION, SCALING 1/2-1" DEEP WITH LOOSE AGGREGATE X 360* FROM WATERLINE DOWN 4'.	3	1	4 Each

General Comments

Bent 61 Pile 6

Prestressed Concrete Pile

Element Number	Element Name	Total Qty	CS1 Qty	CS2 Qty	CS3 Qty	CS4 Qty
226	Prestressed Concrete Pile	1	0	0	1	0 Each

Element Number	Defect Type	Defect Description	CS	CS Qty	Maint Qty
226	Abrasion/Wear (PSC/RC)	U/W INSPECTION, SCALING 1/2-3/4" DEEP WITH LOOSE AGGREGATE X 360* FROM WATERLINE DOWN 4'.	3	1	4 Each

General Comments

Bent 62 Cap 1**Reinforced Concrete Pier Cap**

Element Number	Element Name	Total Qty	CS1 Qty	CS2 Qty	CS3 Qty	CS4 Qty
234	Reinforced Concrete Pier Cap	29	6	23	0	0 Feet

Element Number	Defect Type	Defect Description	CS	CS Qty	Maint Qty
234	Patched Area	BENT 62 CAP HAS SCATTERED PATCHED AREAS WITH SOME HAIRLINE CRACKS. PATCHES ARE SOUND.	2	23	Feet

General Comments

Bent 62 Pile 1**Prestressed Concrete Pile**

Element Number	Element Name	Total Qty	CS1 Qty	CS2 Qty	CS3 Qty	CS4 Qty
226	Prestressed Concrete Pile	1	0	0	1	0 Each

Element Number	Defect Type	Defect Description	CS	CS Qty	Maint Qty
226	Abrasion/Wear (PSC/RC)	U/W INSPECTION, SCALING 1/2-1" DEEP WITH LOOSE AGGREGATE X 360* FROM WATERLINE DOWN 4'.	3	1	4 Each

General Comments

Bent 62 Pile 2**Prestressed Concrete Pile**

Element Number	Element Name	Total Qty	CS1 Qty	CS2 Qty	CS3 Qty	CS4 Qty
226	Prestressed Concrete Pile	1	0	0	1	0 Each

Element Number	Defect Type	Defect Description	CS	CS Qty	Maint Qty
226	Cracking (PSC)	U/W INSPECTION, MULTIPLE H/L-1/16" CRACKS, MULTIPLE FACES, GENERALLY THESE CRACKS ARE LOST IN THE SCALING AREA. SCALING 1/2-1" DEEP WITH LOOSE AGGREGATE X 360* FROM WATERLINE DOWN 4'.	3	1	4 Each

General Comments

Bent 62 Pile 3**Prestressed Concrete Pile**

Element Number	Element Name	Total Qty	CS1 Qty	CS2 Qty	CS3 Qty	CS4 Qty
226	Prestressed Concrete Pile	1	0	0	1	0 Each

Element Number	Defect Type	Defect Description	CS	CS Qty	Maint Qty
226	Cracking (PSC)	U/W INSPECTION, MULTIPLE H/L-1/16" CRACKS, MULTIPLE FACES, GENERALLY THESE CRACKS ARE LOST IN THE SCALING AREA. SCALING 1/2-1" DEEP WITH LOOSE AGGREGATE X 360* FROM WATERLINE DOWN 4'.	3	1	4 Each

General Comments

Bent 62 Pile 4

Prestressed Concrete Pile

Element Number	Element Name	Total Qty	CS1 Qty	CS2 Qty	CS3 Qty	CS4 Qty
226	Prestressed Concrete Pile	1	0	0	1	0 Each

Element Number	Defect Type	Defect Description	CS	CS Qty	Maint Qty
226	Cracking (PSC)	U/W INSPECTION, MULTIPLE H/L CRACKS, MULTIPLE FACES, GENERALLY THESE CRACKS ARE LOST IN THE SCALING AREA. SCALING 1/2-3/4" DEEP WITH LOOSE AGGREGATE X 360* FROM WATERLINE DOWN 4'.	3	1	4 Each

General Comments

Bent 62 Pile 5

Prestressed Concrete Pile

Element Number	Element Name	Total Qty	CS1 Qty	CS2 Qty	CS3 Qty	CS4 Qty
226	Prestressed Concrete Pile	1	0	0	1	0 Each

Element Number	Defect Type	Defect Description	CS	CS Qty	Maint Qty
226	Abrasion/Wear (PSC/RC)	U/W INSPECTION, SCALING 1/2-1" DEEP WITH LOOSE AGGREGATE X 360* FROM WATERLINE DOWN 4'.	3	1	4 Each

General Comments

Bent 62 Pile 6

Prestressed Concrete Pile

Element Number	Element Name	Total Qty	CS1 Qty	CS2 Qty	CS3 Qty	CS4 Qty
226	Prestressed Concrete Pile	1	0	0	1	0 Each

Element Number	Defect Type	Defect Description	CS	CS Qty	Maint Qty
226	Cracking (PSC)	U/W INSPECTION, MULTIPLE H/L CRACKS, MULTIPLE FACES, GENERALLY THESE CRACKS ARE LOST IN THE SCALING AREA. SCALING 1/2-3/4" DEEP WITH LOOSE AGGREGATE X 360* FROM WATERLINE DOWN 4'.	3	1	4 Each

General Comments

Bent 62 Pile 7

Prestressed Concrete Pile

Element Number	Element Name	Total Qty	CS1 Qty	CS2 Qty	CS3 Qty	CS4 Qty
226	Prestressed Concrete Pile	1	0	0	1	0 Each

Element Number	Defect Type	Defect Description	CS	CS Qty	Maint Qty
226	Abrasion/Wear (PSC/RC)	U/W INSPECTION, SCALING 1/2-1" DEEP WITH LOOSE AGGREGATE X 360* FROM WATERLINE DOWN 4'.	3	1	4 Each

General Comments

Bent 63 Cap 1**Reinforced Concrete Pier Cap**

Element Number	Element Name	Total Qty	CS1 Qty	CS2 Qty	CS3 Qty	CS4 Qty
234	Reinforced Concrete Pier Cap	29	8	20	1	0 Feet

Element Number	Defect Type	Defect Description	CS	CS Qty	Maint Qty
234	Delamination/Spall	BENT 63 CAP NORTH FACE BAY 2. HAS A SPALLED AREA. AREA IS: 5" x 10" x 4" DEEP.	3	1	1 Feet
234	Exposed Rebar	30" LONG X 18" TALL X 2" DEEP SPALL WITH EXPOSED REBAR WITH NO SECTION LOSS ON NORTH FACE UNDER GIRDER 1	2	3	3 Feet
234	Patched Area	BENT 63 CAP BOTTOM AND NORTH FACE IN BAY 2. HAS A PATCHED AREA THAT IS SOUND.	2	2	Feet
234	Patched Area	BENT 63 CAP HAS SCATTERED PATCHED AREAS WITH SOME HAIRLINE CRACKS. PATCHES ARE SOUND.	2	15	Feet

General Comments

Bent 63 Pile 1**Prestressed Concrete Pile**

Element Number	Element Name	Total Qty	CS1 Qty	CS2 Qty	CS3 Qty	CS4 Qty
226	Prestressed Concrete Pile	1	0	0	1	0 Each

Element Number	Defect Type	Defect Description	CS	CS Qty	Maint Qty
226	Cracking (PSC)	U/W INSPECTION, MULTIPLE H/L-1/16" CRACKS, MULTIPLE FACES, GENERALLY THESE CRACKS ARE LOST IN THE SCALING AREA. F-5 HAS A 1/16" CRACK FROM MUDLINE UP 12'. SCALING 1/2-1" DEEP WITH LOOSE AGGREGATE X 360° FROM WATERLINE DOWN 4'.	3	1	4 Each

General Comments

Bent 63 Pile 2**Prestressed Concrete Pile**

Element Number	Element Name	Total Qty	CS1 Qty	CS2 Qty	CS3 Qty	CS4 Qty
226	Prestressed Concrete Pile	1	0	0	1	0 Each

Element Number	Defect Type	Defect Description	CS	CS Qty	Maint Qty
226	Cracking (PSC)	U/W INSPECTION, MULTIPLE H/L-1/16" CRACKS, MULTIPLE FACES, GENERALLY THESE CRACKS ARE LOST IN THE SCALING AREA. SCALING 1/2-1" DEEP WITH LOOSE AGGREGATE X 360° FROM WATERLINE DOWN 4'.	3	1	4 Each

General Comments

Bent 63 Pile 3**Prestressed Concrete Pile**

Element Number	Element Name	Total Qty	CS1 Qty	CS2 Qty	CS3 Qty	CS4 Qty
226	Prestressed Concrete Pile	1	0	0	1	0 Each

Element Number	Defect Type	Defect Description	CS	CS Qty	Maint Qty
----------------	-------------	--------------------	----	--------	-----------

Structure Number: 070007

Inspection Date: 03/03/2022

226 Cracking (PSC) U/W INSPECTION, MULTIPLE H/L CRACKS, MULTIPLE FACES, GENERALLY THESE CRACKS ARE LOST IN THE SCALING AREA. SCALING 1/2-1" DEEP WITH LOOSE AGGREGATE X 360° FROM WATERLINE DOWN 4'. 3 1 4 Each

General Comments

Bent 63 Pile 4

Prestressed Concrete Pile

Element Number	Element Name	Total Qty	CS1 Qty	CS2 Qty	CS3 Qty	CS4 Qty
226	Prestressed Concrete Pile	1	0	0	1	0 Each

Element Number	Defect Type	Defect Description	CS	CS Qty	Maint Qty
226	Cracking (PSC)	U/W INSPECTION, MULTIPLE H/L-CRACKS, MULTIPLE FACES, GENERALLY THESE CRACKS ARE LOST IN THE SCALING AREA. SCALING 1/2-1" DEEP WITH LOOSE AGGREGATE X 360° FROM WATERLINE DOWN 4'.	3	1	4 Each
226	Cracking (PSC)	1/64" VERTICAL CRACKING ON ALL FACES	2		5 Each

General Comments

Bent 63 Pile 5

Prestressed Concrete Pile

Element Number	Element Name	Total Qty	CS1 Qty	CS2 Qty	CS3 Qty	CS4 Qty
226	Prestressed Concrete Pile	1	0	0	1	0 Each

Element Number	Defect Type	Defect Description	CS	CS Qty	Maint Qty
226	Abrasion/Wear (PSC/RC)	U/W INSPECTION, SCALING 1/2-3/4" DEEP WITH LOOSE AGGREGATE X 360° FROM WATERLINE DOWN 4'.	3	1	4 Each

General Comments

Bent 63 Pile 6

Prestressed Concrete Pile

Element Number	Element Name	Total Qty	CS1 Qty	CS2 Qty	CS3 Qty	CS4 Qty
226	Prestressed Concrete Pile	1	0	0	1	0 Each

Element Number	Defect Type	Defect Description	CS	CS Qty	Maint Qty
226	Abrasion/Wear (PSC/RC)	U/W INSPECTION, SCALING 1/2-3/4" DEEP WITH LOOSE AGGREGATE X 360° FROM WATERLINE DOWN 4'.	3	1	4 Each

General Comments

Bent 64 Cap 1

Reinforced Concrete Pier Cap

Element Number	Element Name	Total Qty	CS1 Qty	CS2 Qty	CS3 Qty	CS4 Qty
234	Reinforced Concrete Pier Cap	29	18	11	0	0 Feet

Element Number	Defect Type	Defect Description	CS	CS Qty	Maint Qty
234	Patched Area	BENT 64 CAP SOUTH FACE HAS SCATTERED PATCHED AREAS THAT ARE SOUND IN BAYS 1, 2 AND 3.	2	11	Feet

General Comments

Bent 64 Pile 1**Prestressed Concrete Pile**

Element Number	Element Name	Total Qty	CS1 Qty	CS2 Qty	CS3 Qty	CS4 Qty
226	Prestressed Concrete Pile	1	0	0	1	0 Each

Element Number	Defect Type	Defect Description	CS	CS Qty	Maint Qty
226	Abrasion/Wear (PSC/RC)	U/W INSPECTION, SCALING 1/2-3/4" DEEP WITH LOOSE AGGREGATE X 360* FROM WATERLINE DOWN 4'.	3	1	4 Each

General Comments

Bent 64 Pile 2**Prestressed Concrete Pile**

Element Number	Element Name	Total Qty	CS1 Qty	CS2 Qty	CS3 Qty	CS4 Qty
226	Prestressed Concrete Pile	1	0	0	1	0 Each

Element Number	Defect Type	Defect Description	CS	CS Qty	Maint Qty
226	Abrasion/Wear (PSC/RC)	U/W INSPECTION, SCALING 1/2-3/4" DEEP WITH LOOSE AGGREGATE X 360* FROM WATERLINE DOWN 4'.	3	1	4 Each

General Comments

Bent 64 Pile 3**Prestressed Concrete Pile**

Element Number	Element Name	Total Qty	CS1 Qty	CS2 Qty	CS3 Qty	CS4 Qty
226	Prestressed Concrete Pile	1	0	0	1	0 Each

Element Number	Defect Type	Defect Description	CS	CS Qty	Maint Qty
226	Abrasion/Wear (PSC/RC)	U/W INSPECTION, SCALING 1/2-3/4" DEEP WITH LOOSE AGGREGATE X 360* FROM WATERLINE DOWN 4'.	3	1	4 Each

General Comments

Bent 64 Pile 4**Prestressed Concrete Pile**

Element Number	Element Name	Total Qty	CS1 Qty	CS2 Qty	CS3 Qty	CS4 Qty
226	Prestressed Concrete Pile	1	0	0	1	0 Each

Element Number	Defect Type	Defect Description	CS	CS Qty	Maint Qty
226	Cracking (PSC)	U/W INSPECTION, MULTIPLE H/L CRACKS, MULTIPLE FACES, GENERALLY THESE CRACKS ARE LOST IN THE SCALING AREA. SCALING 1/2-3/4" DEEP WITH LOOSE AGGREGATE X 360* FROM WATERLINE DOWN 4'.	3	1	4 Each

General Comments

Bent 64 Pile 5

Prestressed Concrete Pile

Element Number	Element Name	Total Qty	CS1 Qty	CS2 Qty	CS3 Qty	CS4 Qty
226	Prestressed Concrete Pile	1	0	0	1	0 Each

Element Number	Defect Type	Defect Description	CS	CS Qty	Maint Qty
226	Abrasion/Wear (PSC/RC)	U/W INSPECTION, SCALING 1/2-3/4" DEEP WITH LOOSE AGGREGATE X 360* FROM WATERLINE DOWN 4'.	3	1	4 Each

General Comments

Bent 64 Pile 6

Prestressed Concrete Pile

Element Number	Element Name	Total Qty	CS1 Qty	CS2 Qty	CS3 Qty	CS4 Qty
226	Prestressed Concrete Pile	1	0	0	1	0 Each

Element Number	Defect Type	Defect Description	CS	CS Qty	Maint Qty
226	Abrasion/Wear (PSC/RC)	U/W INSPECTION, SCALING 1/2-3/4" DEEP WITH LOOSE AGGREGATE X 360* FROM WATERLINE DOWN 4'.	3	1	4 Each

General Comments

Bent 65 Cap 1

Reinforced Concrete Pier Cap

Element Number	Element Name	Total Qty	CS1 Qty	CS2 Qty	CS3 Qty	CS4 Qty
234	Reinforced Concrete Pier Cap	29	3	24	2	0 Feet

Element Number	Defect Type	Defect Description	CS	CS Qty	Maint Qty
234	Delamination/Spall	South face at West end, delamination/spall [14in x 9in x up to 1/2in deep]	3	2	2 Feet
234	Patched Area	BENT 65 CAP HAS SCATTERED PATCHED AREAS WITH SOME HAIRLINE CRACKS. PATCHES ARE SOUND.	2	17	Feet
234	Patched Area	BENT 65 CAP SOUTH FACE BAY 3. HAS A PATCHED AREA THAT IS SOUND.	2	4	Feet
234	Patched Area	BENT 65 CAP TOP, BOTTOM AND NORTH FACE AT BEAM 2. HAS A PATCHED AREA WITH SCATTERED HAIRLINE CRACKS. PATCH IS SOUND.	2	3	Feet

General Comments

Bent 65 Pile 1

Prestressed Concrete Pile

Element Number	Element Name	Total Qty	CS1 Qty	CS2 Qty	CS3 Qty	CS4 Qty
226	Prestressed Concrete Pile	1	0	0	1	0 Each

Element Number	Defect Type	Defect Description	CS	CS Qty	Maint Qty
226	Cracking (PSC)	U/W INSPECTION, MULTIPLE H/L-32" CRACKS, MULTIPLE FACES, GENERALLY THESE CRACKS ARE LOST IN THE SCALING AREA. SCALING 1/2-1" DEEP WITH LOOSE AGGREGATE X 360* FROM WATERLINE DOWN 4'.	3	1	4 Each

General Comments

Bent 65

Pile 2

Prestressed Concrete Pile

Element Number	Element Name	Total Qty	CS1 Qty	CS2 Qty	CS3 Qty	CS4 Qty
226	Prestressed Concrete Pile	1	0	0	1	0 Each

Element Number	Defect Type	Defect Description	CS	CS Qty	Maint Qty
226	Abrasion/Wear (PSC/RC)	U/W INSPECTION, SCALING 1/2-3/4" DEEP WITH LOOSE AGGREGATE X 360* FROM WATERLINE DOWN 4'.	3	1	4 Each

General Comments

Bent 65

Pile 3

Prestressed Concrete Pile

Element Number	Element Name	Total Qty	CS1 Qty	CS2 Qty	CS3 Qty	CS4 Qty
226	Prestressed Concrete Pile	1	0	0	1	0 Each

Element Number	Defect Type	Defect Description	CS	CS Qty	Maint Qty
226	Cracking (PSC)	U/W INSPECTION, MULTIPLE H/L CRACKS, MULTIPLE FACES, GENERALLY THESE CRACKS ARE LOST IN THE SCALING AREA. SCALING 1/2-1" DEEP WITH LOOSE AGGREGATE X 360* FROM WATERLINE DOWN 4'.	3	1	4 Each

General Comments

Bent 65

Pile 4

Prestressed Concrete Pile

Element Number	Element Name	Total Qty	CS1 Qty	CS2 Qty	CS3 Qty	CS4 Qty
226	Prestressed Concrete Pile	1	0	0	1	0 Each

Element Number	Defect Type	Defect Description	CS	CS Qty	Maint Qty
226	Cracking (PSC)	U/W INSPECTION, MULTIPLE H/L-1/32" CRACKS, MULTIPLE FACES, GENERALLY THESE CRACKS ARE LOST IN THE SCALING AREA. SCALING 1/2-1" DEEP WITH LOOSE AGGREGATE X 360* FROM WATERLINE DOWN 4'.	3	1	4 Each

General Comments

Bent 65

Pile 5

Prestressed Concrete Pile

Element Number	Element Name	Total Qty	CS1 Qty	CS2 Qty	CS3 Qty	CS4 Qty
226	Prestressed Concrete Pile	1	0	0	1	0 Each

Element Number	Defect Type	Defect Description	CS	CS Qty	Maint Qty
226	Cracking (PSC)	U/W INSPECTION, MULTIPLE H/L -1/16" CRACKS, MULTIPLE FACES, GENERALLY THESE CRACKS ARE LOST IN THE SCALING AREA. SCALING 1/2-1" DEEP WITH LOOSE AGGREGATE X 360* FROM WATERLINE DOWN 4'.	3	1	4 Each

General Comments

Bent 65 Pile 6**Prestressed Concrete Pile**

Element Number	Element Name	Total Qty	CS1 Qty	CS2 Qty	CS3 Qty	CS4 Qty
226	Prestressed Concrete Pile	1	0	0	1	0 Each

Element Number	Defect Type	Defect Description	CS	CS Qty	Maint Qty
226	Abrasion/Wear (PSC/RC)	U/W INSPECTION, SCALING 1/2-1" DEEP WITH LOOSE AGGREGATE X 360" FROM WATERLINE DOWN 4'.	3	1	4 Each

General Comments

Bent 66 Cap 1**Reinforced Concrete Pier Cap**

Element Number	Element Name	Total Qty	CS1 Qty	CS2 Qty	CS3 Qty	CS4 Qty
234	Reinforced Concrete Pier Cap	29	9	20	0	0 Feet

Element Number	Defect Type	Defect Description	CS	CS Qty	Maint Qty
234	Patched Area	BENT 66 CAP HAS SCATTERED PATCHED AREAS WITH SOME HAIRLINE CRACKS. PATCHES ARE SOUND.	2	18	Feet
234	Patched Area	BENT 66 CAP NORTH FACE UNDER BEAM 3. HAS A PATCHED AREA THAT IS SOUND.	2	2	Feet

General Comments

Bent 66 Pile 1**Prestressed Concrete Pile**

Element Number	Element Name	Total Qty	CS1 Qty	CS2 Qty	CS3 Qty	CS4 Qty
226	Prestressed Concrete Pile	1	0	0	1	0 Each

Element Number	Defect Type	Defect Description	CS	CS Qty	Maint Qty
226	Cracking (PSC)	U/W INSPECTION, MULTIPLE H/L-1/16" CRACKS, MULTIPLE FACES, GENERALLY THESE CRACKS ARE LOST IN THE SCALING AREA. SCALING 1/2-1" DEEP WITH LOOSE AGGREGATE X 360" FROM WATERLINE DOWN 4'.	3	1	4 Each

General Comments

Bent 66 Pile 2**Prestressed Concrete Pile**

Element Number	Element Name	Total Qty	CS1 Qty	CS2 Qty	CS3 Qty	CS4 Qty
226	Prestressed Concrete Pile	1	0	0	1	0 Each

Element Number	Defect Type	Defect Description	CS	CS Qty	Maint Qty
226	Cracking (PSC)	U/W INSPECTION, MULTIPLE H/L-1/16" CRACKS, MULTIPLE FACES, GENERALLY THESE CRACKS ARE LOST IN THE SCALING AREA. SCALING 1/2-1" DEEP WITH LOOSE AGGREGATE X 360" FROM WATERLINE DOWN 4'.	3	1	4 Each

General Comments

Bent 66 Pile 3
Prestressed Concrete Pile

Element Number	Element Name	Total Qty	CS1 Qty	CS2 Qty	CS3 Qty	CS4 Qty
226	Prestressed Concrete Pile	1	0	0	1	0 Each

Element Number	Defect Type	Defect Description	CS	CS Qty	Maint Qty
226	Cracking (PSC)	U/W INSPECTION, MULTIPLE H/L -1/16" CRACKS, MULTIPLE FACES, GENERALLY THESE CRACKS ARE LOST IN THE SCALING AREA. SCALING 1/2-3/4" DEEP WITH LOOSE AGGREGATE X 360* FROM WATERLINE DOWN 4'.	3	1	4 Each

General Comments

Bent 66 Pile 4
Prestressed Concrete Pile

Element Number	Element Name	Total Qty	CS1 Qty	CS2 Qty	CS3 Qty	CS4 Qty
226	Prestressed Concrete Pile	1	0	0	1	0 Each

Element Number	Defect Type	Defect Description	CS	CS Qty	Maint Qty
226	Cracking (PSC)	U/W INSPECTION, MULTIPLE H/L -1/16" CRACKS, MULTIPLE FACES, GENERALLY THESE CRACKS ARE LOST IN THE SCALING AREA. SCALING 1/2-3/4" DEEP WITH LOOSE AGGREGATE X 360* FROM WATERLINE DOWN 4'.	3	1	4 Each

General Comments

Bent 66 Pile 5
Prestressed Concrete Pile

Element Number	Element Name	Total Qty	CS1 Qty	CS2 Qty	CS3 Qty	CS4 Qty
226	Prestressed Concrete Pile	1	1	0	0	0 Each

Element Number	Defect Type	Defect Description	CS	CS Qty	Maint Qty
226	Cracking (PSC)	U/W INSPECTION; MULTIPLE H/L CRACKS, MULTIPLE FACES, W/L DOWN 4', GENERALLY THESE CRACKS ARE LOST IN THE SCALING AREA. SCALING TO 1/2" - 3/4" DEEP WITH LOOSE AGGREGATE X 360*. PILE HAS BEEN JACKETED.	1	1	Each

General Comments

PILE HAS BEEN JACKETED.

Bent 66 Pile 6
Prestressed Concrete Pile

Element Number	Element Name	Total Qty	CS1 Qty	CS2 Qty	CS3 Qty	CS4 Qty
226	Prestressed Concrete Pile	1	1	0	0	0 Each

Element Number	Defect Type	Defect Description	CS	CS Qty	Maint Qty
226	Cracking (PSC)	U/W INSPECTION; MULTIPLE H/L CRACKS, MULTIPLE FACES, W/L DOWN 4', GENERALLY THESE CRACKS ARE LOST IN THE SCALING AREA. SCALING TO 1/2" - 3/4" DEEP WITH LOOSE AGGREGATE X 360*. PILE HAS BEEN JACKETED.	1	1	Each

General Comments

PILE HAS BEEN JACKETED.

Bent 66 **Pile 7****Prestressed Concrete Pile**

Element Number	Element Name	Total Qty	CS1 Qty	CS2 Qty	CS3 Qty	CS4 Qty
226	Prestressed Concrete Pile	1	0	0	1	0 Each

Element Number	Defect Type	Defect Description	CS	CS Qty	Maint Qty
226	Cracking (PSC)	U/W INSPECTION, MULTIPLE H/L-1/32" CRACKS, MULTIPLE FACES, GENERALLY THESE CRACKS ARE LOST IN THE SCALING AREA. SCALING 1/2-1" DEEP WITH LOOSE AGGREGATE X 360* FROM WATERLINE DOWN 4'.	3	1	4 Each

General Comments

Bent 67 **Cap 1****Reinforced Concrete Pier Cap**

Element Number	Element Name	Total Qty	CS1 Qty	CS2 Qty	CS3 Qty	CS4 Qty
234	Reinforced Concrete Pier Cap	29	0	28	1	0 Feet

Element Number	Defect Type	Defect Description	CS	CS Qty	Maint Qty
234	Delamination/Spall	South face at West end, spall [7in x 4in x up to 2in deep]	3	1	1 Feet
234	Patched Area	along North face and South face, multiple sound patches	2	18	Feet
234	Patched Area	BENT 67 CAP NORTH FACE BAY 1. HAS A PATCHED AREA THAT IS SOUND.	2	3	Feet
234	Patched Area	BENT 67 CAP NORTH FACE UNDER BEAM 3. HAS A PATCHED AREA THAT IS SOUND.	2	4	Feet
234	Patched Area	BENT 67 CAP SOUTH FACE UNDER BEAM 3. HAS A PATCHED AREA THAT IS SOUND.	2	3	Feet

General Comments

Bent 67 **Pile 1****Prestressed Concrete Pile**

Element Number	Element Name	Total Qty	CS1 Qty	CS2 Qty	CS3 Qty	CS4 Qty
226	Prestressed Concrete Pile	1	1	0	0	0 Each

Element Number	Defect Type	Defect Description	CS	CS Qty	Maint Qty
226	Cracking (PSC)	U/W INSPECTION; MULTIPLE H/L CRACKS, MULTIPLE FACES, W/L DOWN 4', GENERALLY THESE CRACKS ARE LOST IN THE SCALING AREA. SCALING TO 1/2" - 3/4" DEEP WITH LOOSE AGGREGATE X 360*. PILE HAS BEEN JACKETED.	1	1	Each

General Comments

PILE HAS BEEN JACKETED.

Bent 67 **Pile 2****Prestressed Concrete Pile**

Element Number	Element Name	Total Qty	CS1 Qty	CS2 Qty	CS3 Qty	CS4 Qty
226	Prestressed Concrete Pile	1	1	0	0	0 Each

Element Number	Defect Type	Defect Description	CS	CS Qty	Maint Qty
----------------	-------------	--------------------	----	--------	-----------

Structure Number: 070007

Inspection Date: 03/03/2022

226 Cracking (PSC) U/W INSPECTION; MULTIPLE H/L CRACKS, MULTIPLE FACES, W/L DOWN 4', GENERALLY THESE CRACKS ARE LOST IN THE SCALING AREA. SCALING TO 1/2" - 3/4" DEEP WITH LOOSE AGGREGATE X 360*. PILE HAS BEEN JACKETED. 1 1 Each

General Comments

PILE HAS BEEN JACKETED.

Bent 67 Pile 3

Prestressed Concrete Pile

Element Number	Element Name	Total Qty	CS1 Qty	CS2 Qty	CS3 Qty	CS4 Qty	
226	Prestressed Concrete Pile	1	1	0	0	0	Each

Element Number	Defect Type	Defect Description	CS	CS Qty	Maint Qty	
226	Cracking (PSC)	U/W INSPECTION; MULTIPLE H/L CRACKS, MULTIPLE FACES, W/L DOWN 4', GENERALLY THESE CRACKS ARE LOST IN THE SCALING AREA. SCALING TO 1/2" - 3/4" DEEP WITH LOOSE AGGREGATE X 360*. PILE HAS BEEN JACKETED.	1	1		Each

General Comments

PILE HAS BEEN JACKETED.

Bent 67 Pile 4

Prestressed Concrete Pile

Element Number	Element Name	Total Qty	CS1 Qty	CS2 Qty	CS3 Qty	CS4 Qty	
226	Prestressed Concrete Pile	1	1	0	0	0	Each

Element Number	Defect Type	Defect Description	CS	CS Qty	Maint Qty	
226	Cracking (PSC)	U/W INSPECTION; MULTIPLE H/L CRACKS, MULTIPLE FACES, W/L DOWN 4', GENERALLY THESE CRACKS ARE LOST IN THE SCALING AREA. SCALING TO 1/2" - 3/4" DEEP WITH LOOSE AGGREGATE X 360*. PILE HAS BEEN JACKETED.	1	1		Each

General Comments

PILE HAS BEEN JACKETED.

Bent 67 Pile 5

Prestressed Concrete Pile

Element Number	Element Name	Total Qty	CS1 Qty	CS2 Qty	CS3 Qty	CS4 Qty	
226	Prestressed Concrete Pile	1	1	0	0	0	Each

Element Number	Defect Type	Defect Description	CS	CS Qty	Maint Qty	
226	Cracking (PSC)	U/W INSPECTION; MULTIPLE H/L CRACKS, MULTIPLE FACES, W/L DOWN 4', GENERALLY THESE CRACKS ARE LOST IN THE SCALING AREA. SCALING TO 1/2" - 3/4" DEEP WITH LOOSE AGGREGATE X 360*. PILE HAS BEEN JACKETED.	1	1		Each

General Comments

PILE HAS BEEN JACKETED.

Bent 67 **Pile 6**
Prestressed Concrete Pile

Element Number	Element Name	Total Qty	CS1 Qty	CS2 Qty	CS3 Qty	CS4 Qty	
226	Prestressed Concrete Pile	1	1	0	0	0	Each

Element Number	Defect Type	Defect Description	CS	CS Qty	Maint Qty	
226	Cracking (PSC)	U/W INSPECTION; MULTIPLE H/L CRACKS, MULTIPLE FACES, W/L DOWN 4'. GENERALLY THESE CRACKS ARE LOST IN THE SCALING AREA. SCALING TO 1/2" - 3/4" DEEP WITH LOOSE AGGREGATE X 360*. PILE HAS BEEN JACKETED.	1	1		Each

General Comments
 PILE HAS BEEN JACKETED.

Bent 68 **Cap 1**
Reinforced Concrete Pier Cap

Element Number	Element Name	Total Qty	CS1 Qty	CS2 Qty	CS3 Qty	CS4 Qty	
234	Reinforced Concrete Pier Cap	29	7	20	2	0	Feet

Element Number	Defect Type	Defect Description	CS	CS Qty	Maint Qty	
234	Delamination/Spall	BENT 68 NORTH FACE UNDER BEAM 4. HAS A SPALLED AREA WITH REBAR EXPOSED. THIS AREA IS MARKED FOR REPAIR UNDER CURRENT CONTRACT.	3	2	2	Feet
234	Cracking (RC and Other)	BENT 68 CAP HAS SCATTERED CRACKS. [up to 1/32in]	2	10		Feet
234	Patched Area	BENT 68 CAP HAS SCATTERED PATCHED AREAS WITH SOME HAIRLINE CRACKS. PATCHES ARE SOUND.	2	10		Feet

General Comments

Bent 68 **Pile 1**
Prestressed Concrete Pile

Element Number	Element Name	Total Qty	CS1 Qty	CS2 Qty	CS3 Qty	CS4 Qty	
226	Prestressed Concrete Pile	1	0	0	1	0	Each

Element Number	Defect Type	Defect Description	CS	CS Qty	Maint Qty	
226	Cracking (PSC)	U/W INSPECTION, MULTIPLE H/L-1/32" CRACKS, MULTIPLE FACES, GENERALLY THESE CRACKS ARE LOST IN THE SCALING AREA. SCALING 1/2-1" DEEP WITH LOOSE AGGREGATE X 360* FROM WATERLINE DOWN 4'.	3	1	4	Each

General Comments

Bent 68 **Pile 2**
Prestressed Concrete Pile

Element Number	Element Name	Total Qty	CS1 Qty	CS2 Qty	CS3 Qty	CS4 Qty	
226	Prestressed Concrete Pile	1	0	0	1	0	Each

Element Number	Defect Type	Defect Description	CS	CS Qty	Maint Qty	
226	Abrasion/Wear (PSC/RC)	U/W INSPECTION, SCALING 1/2-1" DEEP WITH LOOSE AGGREGATE X 360* FROM WATERLINE DOWN 4'.	3	1	4	Each

General Comments

Bent 68 Pile 3

Prestressed Concrete Pile

Element Number	Element Name	Total Qty	CS1 Qty	CS2 Qty	CS3 Qty	CS4 Qty
226	Prestressed Concrete Pile	1	0	0	1	0 Each

Element Number	Defect Type	Defect Description	CS	CS Qty	Maint Qty
226	Cracking (PSC)	U/W INSPECTION; MULTIPLE H/L CRACKS, SCALING TO 1/2" - 1" DEEP WITH LOOSE AGGREGATE X 360° FROM WATERLINE DOWN 4'. (4 LINEAR FT. OF PILE INSPECTED)	3	1	4 Each

General Comments

Bent 68 Pile 4

Prestressed Concrete Pile

Element Number	Element Name	Total Qty	CS1 Qty	CS2 Qty	CS3 Qty	CS4 Qty
226	Prestressed Concrete Pile	1	0	0	1	0 Each

Element Number	Defect Type	Defect Description	CS	CS Qty	Maint Qty
226	Cracking (PSC)	U/W INSPECTION, MULTIPLE H/L-1/16" CRACKS, MULTIPLE FACES, GENERALLY THESE CRACKS ARE LOST IN THE SCALING AREA. SCALING 1/2-1" DEEP WITH LOOSE AGGREGATE X 360° FROM WATERLINE DOWN 4'.	3	1	4 Each

General Comments

Bent 68 Pile 5

Prestressed Concrete Pile

Element Number	Element Name	Total Qty	CS1 Qty	CS2 Qty	CS3 Qty	CS4 Qty
226	Prestressed Concrete Pile	1	0	0	1	0 Each

Element Number	Defect Type	Defect Description	CS	CS Qty	Maint Qty
226	Cracking (PSC)	U/W INSPECTION, MULTIPLE H/L-1/32" CRACKS, MULTIPLE FACES, GENERALLY THESE CRACKS ARE LOST IN THE SCALING AREA. SCALING 1/2-1" DEEP WITH LOOSE AGGREGATE X 360° FROM WATERLINE DOWN 4'.	3	1	4 Each

General Comments

Bent 68 Pile 6

Prestressed Concrete Pile

Element Number	Element Name	Total Qty	CS1 Qty	CS2 Qty	CS3 Qty	CS4 Qty
226	Prestressed Concrete Pile	1	0	0	1	0 Each

Element Number	Defect Type	Defect Description	CS	CS Qty	Maint Qty
226	Cracking (PSC)	U/W INSPECTION, MULTIPLE H/L-1/32" CRACKS, MULTIPLE FACES, GENERALLY THESE CRACKS ARE LOST IN THE SCALING AREA. SCALING 1/2-1" DEEP WITH LOOSE AGGREGATE X 360° FROM WATERLINE DOWN 4'.	3	1	4 Each

General Comments

Bent 69 Cap 1**Reinforced Concrete Pier Cap**

Element Number	Element Name	Total Qty	CS1 Qty	CS2 Qty	CS3 Qty	CS4 Qty
234	Reinforced Concrete Pier Cap	29	13	11	5	0 Feet

Element Number	Defect Type	Defect Description	CS	CS Qty	Maint Qty
234	Delamination/Spall	BENT 69 CAP BOTTOM AND NORTH FACE UNDER BEAM 2. HAS A CRACK/SPALL AND DELAMINATED AREA. AREA IS: FROM BOTTOM EDGE BACK 4", FROM BOTTOM EDGE UP 6" x 23" LONG x 1" DEEP.	3	2	2 Feet
234	Delamination/Spall	BENT 69 CAP BOTTOM AND NORTHWEST CORNER. HAS A CRACK/SPALL AND DELAMINATED AREA. AREA ON WEST FACE IS: FROM BOTTOM EDGE BACK 8", FROM BOTTOM EDGE UP 7" x 18" LONG x 1/2" DEEP. AREA ON NORTH FACE IS: FROM BOTTOM EDGE BACK 8", FROM BOTTOM EDGE UP 6" x 25".	3	3	3 Feet
234	Delamination/Spall	BENT 69 CAP NORTH FACE BAY 2. HAS A CRACKED AND DELAMINATED AREA. AREA IS: FROM BOTTOM EDGE UP 9" x 24"	2	2	2 Feet
234	Patched Area	BENT 69 CAP SOUTH FACE BAY 3 from beam 3 to beam 4. sound patch.	2	9	Feet

General Comments

Bent 69 Pile 1**Prestressed Concrete Pile**

Element Number	Element Name	Total Qty	CS1 Qty	CS2 Qty	CS3 Qty	CS4 Qty
226	Prestressed Concrete Pile	1	0	0	1	0 Each

Element Number	Defect Type	Defect Description	CS	CS Qty	Maint Qty
226	Abrasion/Wear (PSC/RC)	U/W INSPECTION, SCALING 1/2-1" DEEP WITH LOOSE AGGREGATE X 360" FROM WATERLINE DOWN 4'.	3	1	3 Each

General Comments

Bent 69 Pile 2**Prestressed Concrete Pile**

Element Number	Element Name	Total Qty	CS1 Qty	CS2 Qty	CS3 Qty	CS4 Qty
226	Prestressed Concrete Pile	1	0	0	1	0 Each

Element Number	Defect Type	Defect Description	CS	CS Qty	Maint Qty
226	Abrasion/Wear (PSC/RC)	U/W INSPECTION, SCALING 1/2-1" DEEP WITH LOOSE AGGREGATE X 360" FROM WATERLINE DOWN 4'.	3	1	3 Each

General Comments

Bent 69 Pile 3**Prestressed Concrete Pile**

Element Number	Element Name	Total Qty	CS1 Qty	CS2 Qty	CS3 Qty	CS4 Qty
226	Prestressed Concrete Pile	1	1	0	0	0 Each

Element Number	Defect Type	Defect Description	CS	CS Qty	Maint Qty
----------------	-------------	--------------------	----	--------	-----------

Structure Number: 070007

Inspection Date: 03/03/2022

226	Cracking (PSC)	U/W INSPECTION; MULTIPLE H/L CRACKS, MULTIPLE FACES, W/L DOWN 3', GENERALLY THESE CRACKS ARE LOST IN THE SCALING AREA. SCALING TO 1/2" - 3/4" DEEP WITH LOOSE AGGREGATE X 360*. PILE HAS BEEN JACKETED.	1	1	Each
-----	----------------	---	---	---	------

General Comments

PILE HAS BEEN JACKETED

Bent 69 Pile 4

Prestressed Concrete Pile

Element Number	Element Name	Total Qty	CS1 Qty	CS2 Qty	CS3 Qty	CS4 Qty	
226	Prestressed Concrete Pile	1	1	0	0	0	Each

Element Number	Defect Type	Defect Description	CS	CS Qty	Maint Qty	
226	Cracking (PSC)	U/W INSPECTION; MULTIPLE H/L CRACKS, MULTIPLE FACES, W/L DOWN 3', GENERALLY THESE CRACKS ARE LOST IN THE SCALING AREA. SCALING TO 1/2" - 3/4" DEEP WITH LOOSE AGGREGATE X 360*. PILE HAS BEEN JACKETED.	1	1		Each

General Comments

PILE HAS BEEN JACKETED

Bent 69 Pile 5

Prestressed Concrete Pile

Element Number	Element Name	Total Qty	CS1 Qty	CS2 Qty	CS3 Qty	CS4 Qty	
226	Prestressed Concrete Pile	1	1	0	0	0	Each

Element Number	Defect Type	Defect Description	CS	CS Qty	Maint Qty	
226	Cracking (PSC)	U/W INSPECTION; MULTIPLE H/L CRACKS, MULTIPLE FACES, W/L DOWN 3', GENERALLY THESE CRACKS ARE LOST IN THE SCALING AREA. SCALING TO 1/2" - 3/4" DEEP WITH LOOSE AGGREGATE X 360*. PILE HAS BEEN JACKETED.	1	1		Each

General Comments

PILE HAS BEEN JACKETED

Bent 69 Pile 6

Prestressed Concrete Pile

Element Number	Element Name	Total Qty	CS1 Qty	CS2 Qty	CS3 Qty	CS4 Qty	
226	Prestressed Concrete Pile	1	1	0	0	0	Each

Element Number	Defect Type	Defect Description	CS	CS Qty	Maint Qty	
226	Cracking (PSC)	U/W INSPECTION; MULTIPLE H/L CRACKS, MULTIPLE FACES, W/L DOWN 3', GENERALLY THESE CRACKS ARE LOST IN THE SCALING AREA. SCALING TO 1/2" - 3/4" DEEP WITH LOOSE AGGREGATE X 360*. PILE HAS BEEN JACKETED.	1	1		Each

General Comments

PILE HAS BEEN JACKETED

Bent 70 Cap 1

Reinforced Concrete Pier Cap

Element Number	Element Name	Total Qty	CS1 Qty	CS2 Qty	CS3 Qty	CS4 Qty
234	Reinforced Concrete Pier Cap	29	9	20	0	0 Feet

Element Number	Defect Type	Defect Description	CS	CS Qty	Maint Qty
234	Delamination/Spall	South face under bay 3 at top, delamination [2ft x 4in]	2	2	2 Feet
234	Patched Area	BENT 70 CAP HAS SCATTERED PATCHED AREAS WITH SOME HAIRLINE CRACKS. PATCHES ARE SOUND.	2	10	Feet
234	Patched Area	BENT 70 CAP NORTH FACE AND BOTTOM UNDER BEAM 2. sound patch [14in x 28in]	2	3	Feet
234	Patched Area	BENT 70 CAP TOP AND SOUTH FACE UNDER BEAM 3. sound patch [6in x 57in]	2	5	Feet

General Comments

Bent 70 Pile 1

Prestressed Concrete Pile

Element Number	Element Name	Total Qty	CS1 Qty	CS2 Qty	CS3 Qty	CS4 Qty
226	Prestressed Concrete Pile	1	0	0	1	0 Each

Element Number	Defect Type	Defect Description	CS	CS Qty	Maint Qty
226	Cracking (PSC)	U/W INSPECTION, MULTIPLE H/L CRACKS, MULTIPLE FACES, GENERALLY THESE CRACKS ARE LOST IN THE SCALING AREA. SCALING 1/2-1" DEEP WITH LOOSE AGGREGATE X 360" FROM WATERLINE DOWN 3'.	3	1	3 Each

General Comments

Bent 70 Pile 2

Prestressed Concrete Pile

Element Number	Element Name	Total Qty	CS1 Qty	CS2 Qty	CS3 Qty	CS4 Qty
226	Prestressed Concrete Pile	1	0	0	1	0 Each

Element Number	Defect Type	Defect Description	CS	CS Qty	Maint Qty
226	Cracking (PSC)	U/W INSPECTION, MULTIPLE H/L CRACKS, MULTIPLE FACES, GENERALLY THESE CRACKS ARE LOST IN THE SCALING AREA. SCALING 1/2-1" DEEP WITH LOOSE AGGREGATE X 360" FROM WATERLINE DOWN 3'.	3	1	3 Each

General Comments

Bent 70 Pile 3

Prestressed Concrete Pile

Element Number	Element Name	Total Qty	CS1 Qty	CS2 Qty	CS3 Qty	CS4 Qty
226	Prestressed Concrete Pile	1	0	0	1	0 Each

Element Number	Defect Type	Defect Description	CS	CS Qty	Maint Qty
226	Abrasion/Wear (PSC/RC)	U/W INSPECTION, SCALING 1/2-1" DEEP WITH LOOSE AGGREGATE X 360" FROM WATERLINE DOWN 3'.	3	1	3 Each

General Comments

Bent 70 Pile 4

Prestressed Concrete Pile

Element Number	Element Name	Total Qty	CS1 Qty	CS2 Qty	CS3 Qty	CS4 Qty
226	Prestressed Concrete Pile	1	0	0	1	0 Each

Element Number	Defect Type	Defect Description	CS	CS Qty	Maint Qty
226	Cracking (PSC)	U/W INSPECTION, MULTIPLE H/L CRACKS, MULTIPLE FACES, GENERALLY THESE CRACKS ARE LOST IN THE SCALING AREA. SCALING 1/2-1" DEEP WITH LOOSE AGGREGATE X 360* FROM WATERLINE DOWN 3'.	3	1	3 Each

General Comments

Bent 70 Pile 5

Prestressed Concrete Pile

Element Number	Element Name	Total Qty	CS1 Qty	CS2 Qty	CS3 Qty	CS4 Qty
226	Prestressed Concrete Pile	1	0	0	1	0 Each

Element Number	Defect Type	Defect Description	CS	CS Qty	Maint Qty
226	Abrasion/Wear (PSC/RC)	U/W INSPECTION, SCALING 1/2-1" DEEP WITH LOOSE AGGREGATE X 360* FROM WATERLINE DOWN 3'.	3	1	3 Each

General Comments

Bent 70 Pile 6

Prestressed Concrete Pile

Element Number	Element Name	Total Qty	CS1 Qty	CS2 Qty	CS3 Qty	CS4 Qty
226	Prestressed Concrete Pile	1	0	0	1	0 Each

Element Number	Defect Type	Defect Description	CS	CS Qty	Maint Qty
226	Abrasion/Wear (PSC/RC)	U/W INSPECTION, SCALING 1/2-1" DEEP WITH LOOSE AGGREGATE X 360* FROM WATERLINE DOWN 3'.	3	1	3 Each

General Comments

Bent 70 Pile 7

Prestressed Concrete Pile

Element Number	Element Name	Total Qty	CS1 Qty	CS2 Qty	CS3 Qty	CS4 Qty
226	Prestressed Concrete Pile	1	0	0	1	0 Each

Element Number	Defect Type	Defect Description	CS	CS Qty	Maint Qty
226	Abrasion/Wear (PSC/RC)	U/W INSPECTION, SCALING 1/2-1" DEEP WITH LOOSE AGGREGATE X 360* FROM WATERLINE DOWN 3'.	3	1	3 Each

General Comments

Bent 71

Pile 1

Prestressed Concrete Pile

Element Number	Element Name	Total Qty	CS1 Qty	CS2 Qty	CS3 Qty	CS4 Qty	
226	Prestressed Concrete Pile	1	0	0	1	0	Each

Element Number	Defect Type	Defect Description	CS	CS Qty	Maint Qty	
226	Cracking (PSC)	U/W INSPECTION, MULTIPLE H/L CRACKS, MULTIPLE FACES, GENERALLY THESE CRACKS ARE LOST IN THE SCALING AREA. SCALING 1/2-1" DEEP WITH LOOSE AGGREGATE X 360° FROM WATERLINE DOWN 3'.	3	1	3	Each

General Comments

Bent 71

Cap 1

Reinforced Concrete Pier Cap

Element Number	Element Name	Total Qty	CS1 Qty	CS2 Qty	CS3 Qty	CS4 Qty	
234	Reinforced Concrete Pier Cap	29	1	28	0	0	Feet

Element Number	Defect Type	Defect Description	CS	CS Qty	Maint Qty	
234	Patched Area	along both sides and underside, multiple sound patches [up to full height]	2	28		Feet

General Comments

Bent 71

Pile 2

Prestressed Concrete Pile

Element Number	Element Name	Total Qty	CS1 Qty	CS2 Qty	CS3 Qty	CS4 Qty	
226	Prestressed Concrete Pile	1	0	0	1	0	Each

Element Number	Defect Type	Defect Description	CS	CS Qty	Maint Qty	
226	Abrasion/Wear (PSC/RC)	U/W INSPECTION, SCALING 1/2-1" DEEP WITH LOOSE AGGREGATE X 360° FROM WATERLINE DOWN 3'.	3	1	3	Each

General Comments

Bent 71

Pile 3

Prestressed Concrete Pile

Element Number	Element Name	Total Qty	CS1 Qty	CS2 Qty	CS3 Qty	CS4 Qty	
226	Prestressed Concrete Pile	1	0	0	1	0	Each

Element Number	Defect Type	Defect Description	CS	CS Qty	Maint Qty	
226	Cracking (PSC)	U/W INSPECTION, MULTIPLE H/L-1/32" CRACKS, MULTIPLE FACES, GENERALLY THESE CRACKS ARE LOST IN THE SCALING AREA. SCALING 1/2-1" DEEP WITH LOOSE AGGREGATE X 360° FROM WATERLINE DOWN 3'.	3	1	3	Each

General Comments

Bent 71 Pile 4**Prestressed Concrete Pile**

Element Number	Element Name	Total Qty	CS1 Qty	CS2 Qty	CS3 Qty	CS4 Qty
226	Prestressed Concrete Pile	1	0	0	1	0 Each

Element Number	Defect Type	Defect Description	CS	CS Qty	Maint Qty
226	Cracking (PSC)	U/W INSPECTION, MULTIPLE H/L CRACKS, MULTIPLE FACES, GENERALLY THESE CRACKS ARE LOST IN THE SCALING AREA. SCALING 1/2-1" DEEP WITH LOOSE AGGREGATE X 360" FROM WATERLINE DOWN 3'.	3	1	3 Each

General Comments

Bent 71 Pile 5**Prestressed Concrete Pile**

Element Number	Element Name	Total Qty	CS1 Qty	CS2 Qty	CS3 Qty	CS4 Qty
226	Prestressed Concrete Pile	1	0	0	1	0 Each

Element Number	Defect Type	Defect Description	CS	CS Qty	Maint Qty
226	Cracking (PSC)	U/W INSPECTION, MULTIPLE H/L-1/32" CRACKS, MULTIPLE FACES, GENERALLY THESE CRACKS ARE LOST IN THE SCALING AREA. SCALING 1/2-1" DEEP WITH LOOSE AGGREGATE X 360" FROM WATERLINE DOWN 3'.	3	1	3 Each

General Comments

Bent 71 Pile 6**Prestressed Concrete Pile**

Element Number	Element Name	Total Qty	CS1 Qty	CS2 Qty	CS3 Qty	CS4 Qty
226	Prestressed Concrete Pile	1	0	0	1	0 Each

Element Number	Defect Type	Defect Description	CS	CS Qty	Maint Qty
226	Cracking (PSC)	U/W INSPECTION, MULTIPLE H/L CRACKS, MULTIPLE FACES, GENERALLY THESE CRACKS ARE LOST IN THE SCALING AREA. SCALING 1/2-1" DEEP WITH LOOSE AGGREGATE X 360" FROM WATERLINE DOWN 3'.	3	1	3 Each

General Comments

Bent 72 Pile 1**Prestressed Concrete Pile**

Element Number	Element Name	Total Qty	CS1 Qty	CS2 Qty	CS3 Qty	CS4 Qty
226	Prestressed Concrete Pile	1	0	0	1	0 Each

Element Number	Defect Type	Defect Description	CS	CS Qty	Maint Qty
226	Cracking (PSC)	U/W INSPECTION, MULTIPLE H/L CRACKS, MULTIPLE FACES, GENERALLY THESE CRACKS ARE LOST IN THE SCALING AREA. SCALING 1/2-1" DEEP WITH LOOSE AGGREGATE X 360" FROM WATERLINE DOWN 3'.	3	1	3 Each

General Comments

Bent 72 Cap 1**Reinforced Concrete Pier Cap**

Element Number	Element Name	Total Qty	CS1 Qty	CS2 Qty	CS3 Qty	CS4 Qty
234	Reinforced Concrete Pier Cap	29	18	11	0	0 Feet

Element Number	Defect Type	Defect Description	CS	CS Qty	Maint Qty
234	Delamination/Spall	BENT 72 CAP SOUTH FACE HAS A CRACKED AND DELAMINATED AREA RIGHT OF BEAM 4. AREA IS: 14" x 14"	2	2	2 Feet
234	Patched Area	BENT 72 CAP BOTTOM AND NORTH FACE BAY 3. sound patch [10in x 44in]	2	4	Feet
234	Patched Area	BENT 72 CAP NORTH FACE BAY 3. sound patch [11in x 16in]	2	2	Feet
234	Patched Area	BENT 72 CAP TOP AND NORTH FACE BAY 3. sound patch [5in x 36in]	2	3	Feet

General Comments

Bent 72 Pile 2**Prestressed Concrete Pile**

Element Number	Element Name	Total Qty	CS1 Qty	CS2 Qty	CS3 Qty	CS4 Qty
226	Prestressed Concrete Pile	1	0	0	1	0 Each

Element Number	Defect Type	Defect Description	CS	CS Qty	Maint Qty
226	Cracking (PSC)	U/W INSPECTION, MULTIPLE H/L CRACKS, MULTIPLE FACES, GENERALLY THESE CRACKS ARE LOST IN THE SCALING AREA. SCALING 1/2-1" DEEP WITH LOOSE AGGREGATE X 360" FROM WATERLINE DOWN 3'.	3	1	3 Each

General Comments

Bent 72 Pile 3**Prestressed Concrete Pile**

Element Number	Element Name	Total Qty	CS1 Qty	CS2 Qty	CS3 Qty	CS4 Qty
226	Prestressed Concrete Pile	1	0	0	1	0 Each

Element Number	Defect Type	Defect Description	CS	CS Qty	Maint Qty
226	Cracking (PSC)	U/W INSPECTION, MULTIPLE H/L CRACKS, MULTIPLE FACES, GENERALLY THESE CRACKS ARE LOST IN THE SCALING AREA. SCALING 1/2-1" DEEP WITH LOOSE AGGREGATE X 360" FROM WATERLINE DOWN 3'.	3	1	3 Each

General Comments

Bent 72 Pile 4**Prestressed Concrete Pile**

Element Number	Element Name	Total Qty	CS1 Qty	CS2 Qty	CS3 Qty	CS4 Qty
226	Prestressed Concrete Pile	1	0	0	1	0 Each

Element Number	Defect Type	Defect Description	CS	CS Qty	Maint Qty
226	Abrasion/Wear (PSC/RC)	U/W INSPECTION, SCALING 1/2-1" DEEP WITH LOOSE AGGREGATE X 360" FROM WATERLINE DOWN 3'.	3	1	3 Each

General Comments

Bent 72 Pile 5**Prestressed Concrete Pile**

Element Number	Element Name	Total Qty	CS1 Qty	CS2 Qty	CS3 Qty	CS4 Qty	
226	Prestressed Concrete Pile	1	0	0	1	0	Each

Element Number	Defect Type	Defect Description	CS	CS Qty	Maint Qty	
226	Cracking (PSC)	U/W INSPECTION, MULTIPLE H/L CRACKS, MULTIPLE FACES, GENERALLY THESE CRACKS ARE LOST IN THE SCALING AREA. SCALING 1/2-1" DEEP WITH LOOSE AGGREGATE X 360" FROM WATERLINE DOWN 3'.	3	1	3	Each

General Comments

Bent 72 Pile 6**Prestressed Concrete Pile**

Element Number	Element Name	Total Qty	CS1 Qty	CS2 Qty	CS3 Qty	CS4 Qty	
226	Prestressed Concrete Pile	1	0	0	1	0	Each

Element Number	Defect Type	Defect Description	CS	CS Qty	Maint Qty	
226	Cracking (PSC)	U/W INSPECTION, MULTIPLE H/L CRACKS, MULTIPLE FACES, GENERALLY THESE CRACKS ARE LOST IN THE SCALING AREA. SCALING 1/2-1" DEEP WITH LOOSE AGGREGATE X 360" FROM WATERLINE DOWN 3'.	3	1	3	Each

General Comments

Bent 73 Pile 1**Prestressed Concrete Pile**

Element Number	Element Name	Total Qty	CS1 Qty	CS2 Qty	CS3 Qty	CS4 Qty	
226	Prestressed Concrete Pile	1	1	0	0	0	Each

Element Number	Defect Type	Defect Description	CS	CS Qty	Maint Qty	
226	Cracking (PSC)	U/W INSPECTION, MULTIPLE H/L CRACKS, MULTIPLE FACES, GENERALLY THESE CRACKS ARE LOST IN THE SCALING AREA. SCALING 1/2-1" DEEP WITH LOOSE AGGREGATE X 360" FROM WATERLINE DOWN 3'. PILE HAS BEEN JACKETED.	1	1		Each

General Comments

PILE HAS BEEN JACKETED.

Bent 73 Cap 1**Reinforced Concrete Pier Cap**

Element Number	Element Name	Total Qty	CS1 Qty	CS2 Qty	CS3 Qty	CS4 Qty	
234	Reinforced Concrete Pier Cap	29	9	20	0	0	Feet

Element Number	Defect Type	Defect Description	CS	CS Qty	Maint Qty	
234	Patched Area	BENT 73 CAP NORTH FACE HAS A PATCHED AREA WITH FORMS LEFT IN PLACE. AREA BEGINS IN BAY 3 AND EXTENDS TO RIGHT END OF CAP.	2	8		Feet
234	Patched Area	BENT 73 CAP SOUTH FACE BAY 3. HAS A PATCHED AREA WITH SCATTERED HAIRLINE CRACKS. PATCH IS SOUND.	2	8		Feet
234	Patched Area	BENT 73 CAP SOUTH FACE UNDER BEAM 3. sound patch [15in x 48in]	2	4		Feet

General Comments

Bent 73 Pile 2

Prestressed Concrete Pile

Element Number	Element Name	Total Qty	CS1 Qty	CS2 Qty	CS3 Qty	CS4 Qty
226	Prestressed Concrete Pile	1	0	0	1	0 Each

Element Number	Defect Type	Defect Description	CS	CS Qty	Maint Qty
226	Cracking (PSC)	U/W INSPECTION, MULTIPLE H/L CRACKS, MULTIPLE FACES, GENERALLY THESE CRACKS ARE LOST IN THE SCALING AREA. SCALING 1/2-1" DEEP WITH LOOSE AGGREGATE X 360* FROM WATERLINE DOWN 3'.	3	1	3 Each

General Comments

Bent 73 Pile 3

Prestressed Concrete Pile

Element Number	Element Name	Total Qty	CS1 Qty	CS2 Qty	CS3 Qty	CS4 Qty
226	Prestressed Concrete Pile	1	0	0	1	0 Each

Element Number	Defect Type	Defect Description	CS	CS Qty	Maint Qty
226	Cracking (PSC)	U/W INSPECTION, MULTIPLE H/L CRACKS, MULTIPLE FACES, GENERALLY THESE CRACKS ARE LOST IN THE SCALING AREA. SCALING 1/2-1" DEEP WITH LOOSE AGGREGATE X 360* FROM WATERLINE DOWN 3'.	3	1	3 Each

General Comments

Bent 73 Pile 4

Prestressed Concrete Pile

Element Number	Element Name	Total Qty	CS1 Qty	CS2 Qty	CS3 Qty	CS4 Qty
226	Prestressed Concrete Pile	1	0	0	1	0 Each

Element Number	Defect Type	Defect Description	CS	CS Qty	Maint Qty
226	Cracking (PSC)	U/W INSPECTION, MULTIPLE H/L -1/32" CRACKS, MULTIPLE FACES, GENERALLY THESE CRACKS ARE LOST IN THE SCALING AREA. SCALING 1/2-1" DEEP WITH LOOSE AGGREGATE X 360* FROM WATERLINE DOWN 3'.	3	1	3 Each

General Comments

Bent 73 Pile 5

Prestressed Concrete Pile

Element Number	Element Name	Total Qty	CS1 Qty	CS2 Qty	CS3 Qty	CS4 Qty
226	Prestressed Concrete Pile	1	1	0	0	0 Each

Element Number	Defect Type	Defect Description	CS	CS Qty	Maint Qty
226	Cracking (PSC)	U/W INSPECTION, MULTIPLE H/L CRACKS, MULTIPLE FACES, GENERALLY THESE CRACKS ARE LOST IN THE SCALING AREA. SCALING 1/2-1" DEEP WITH LOOSE AGGREGATE X 360* FROM WATERLINE DOWN 3'.	1	1	Each

General Comments

PILE HAS BEEN JACKETED.

Bent 73 Pile 6
Prestressed Concrete Pile

Element Number	Element Name	Total Qty	CS1 Qty	CS2 Qty	CS3 Qty	CS4 Qty	
226	Prestressed Concrete Pile	1	1	0	0	0	Each

Element Number	Defect Type	Defect Description	CS	CS Qty	Maint Qty	
226	Cracking (PSC)	U/W INSPECTION, MULTIPLE H/L-1/32" CRACKS, MULTIPLE FACES, GENERALLY THESE CRACKS ARE LOST IN THE SCALING AREA. SCALING 1/2-1" DEEP WITH LOOSE AGGREGATE X 360° FROM WATERLINE DOWN 3'. PILE HAS BEEN JACKETED.	1	1		Each

General Comments

PILE HAS BEEN JACKETED.

Bent 74 Pile 1
Prestressed Concrete Pile

Element Number	Element Name	Total Qty	CS1 Qty	CS2 Qty	CS3 Qty	CS4 Qty	
226	Prestressed Concrete Pile	1	0	0	1	0	Each

Element Number	Defect Type	Defect Description	CS	CS Qty	Maint Qty	
226	Cracking (PSC)	U/W INSPECTION, MULTIPLE H/L-1/32" CRACKS, MULTIPLE FACES, GENERALLY THESE CRACKS ARE LOST IN THE SCALING AREA. SCALING 1/2-1" DEEP WITH LOOSE AGGREGATE X 360° FROM WATERLINE DOWN 3'.	3	1	3	Each

General Comments

Bent 74 Cap 1
Reinforced Concrete Pier Cap

Element Number	Element Name	Total Qty	CS1 Qty	CS2 Qty	CS3 Qty	CS4 Qty	
234	Reinforced Concrete Pier Cap	29	0	29	0	0	Feet

Element Number	Defect Type	Defect Description	CS	CS Qty	Maint Qty	
234	Delamination/Spall	under beam 1, delamination [40in x 10in]	2	4	4	Feet
234	Patched Area	along both sides and top, multiple sound patches [up to full height]	2	25		Feet

General Comments

Bent 74 Pile 2
Prestressed Concrete Pile

Element Number	Element Name	Total Qty	CS1 Qty	CS2 Qty	CS3 Qty	CS4 Qty	
226	Prestressed Concrete Pile	1	0	0	1	0	Each

Element Number	Defect Type	Defect Description	CS	CS Qty	Maint Qty	
226	Cracking (PSC)	U/W INSPECTION, MULTIPLE H/L-1/16" CRACKS, MULTIPLE FACES, GENERALLY THESE CRACKS ARE LOST IN THE SCALING AREA. SCALING 1/2-1" DEEP WITH LOOSE AGGREGATE X 360° FROM WATERLINE DOWN 3'.	3	1	3	Each

General Comments

Bent 74 Pile 3**Prestressed Concrete Pile**

Element Number	Element Name	Total Qty	CS1 Qty	CS2 Qty	CS3 Qty	CS4 Qty
226	Prestressed Concrete Pile	1	0	0	1	0 Each

Element Number	Defect Type	Defect Description	CS	CS Qty	Maint Qty
226	Cracking (PSC)	U/W INSPECTION, MULTIPLE H/L CRACKS, MULTIPLE FACES, GENERALLY THESE CRACKS ARE LOST IN THE SCALING AREA. SCALING 1/2-1" DEEP WITH LOOSE AGGREGATE X 360° FROM WATERLINE DOWN 3'.	3	1	3 Each

General Comments

Bent 74 Pile 4**Prestressed Concrete Pile**

Element Number	Element Name	Total Qty	CS1 Qty	CS2 Qty	CS3 Qty	CS4 Qty
226	Prestressed Concrete Pile	1	0	0	1	0 Each

Element Number	Defect Type	Defect Description	CS	CS Qty	Maint Qty
226	Cracking (PSC)	U/W INSPECTION, MULTIPLE H/L-1/32" CRACKS, MULTIPLE FACES, GENERALLY THESE CRACKS ARE LOST IN THE SCALING AREA. SCALING 1/2-1" DEEP WITH LOOSE AGGREGATE X 360° FROM WATERLINE DOWN 3'.	3	1	3 Each

General Comments

Bent 74 Pile 5**Prestressed Concrete Pile**

Element Number	Element Name	Total Qty	CS1 Qty	CS2 Qty	CS3 Qty	CS4 Qty
226	Prestressed Concrete Pile	1	0	0	1	0 Each

Element Number	Defect Type	Defect Description	CS	CS Qty	Maint Qty
226	Cracking (PSC)	U/W INSPECTION, MULTIPLE H/L-1/16" CRACKS, MULTIPLE FACES, GENERALLY THESE CRACKS ARE LOST IN THE SCALING AREA. SCALING 1/2-1" DEEP WITH LOOSE AGGREGATE X 360° FROM WATERLINE DOWN 3'.	3	1	3 Each

General Comments

Bent 74 Pile 6**Prestressed Concrete Pile**

Element Number	Element Name	Total Qty	CS1 Qty	CS2 Qty	CS3 Qty	CS4 Qty
226	Prestressed Concrete Pile	1	0	0	1	0 Each

Element Number	Defect Type	Defect Description	CS	CS Qty	Maint Qty
226	Cracking (PSC)	U/W INSPECTION, MULTIPLE H/L CRACKS, MULTIPLE FACES, GENERALLY THESE CRACKS ARE LOST IN THE SCALING AREA. SCALING 1/2-1" DEEP WITH LOOSE AGGREGATE X 360° FROM WATERLINE DOWN 3'.	3	1	3 Each

General Comments

Bent 74

Pile 7

Prestressed Concrete Pile

Element Number	Element Name	Total Qty	CS1 Qty	CS2 Qty	CS3 Qty	CS4 Qty
226	Prestressed Concrete Pile	1	0	0	1	0 Each

Element Number	Defect Type	Defect Description	CS	CS Qty	Maint Qty
226	Cracking (PSC)	U/W INSPECTION, MULTIPLE H/L-1/16" CRACKS, MULTIPLE FACES, GENERALLY THESE CRACKS ARE LOST IN THE SCALING AREA. SCALING 1/2-1" DEEP WITH LOOSE AGGREGATE X 360° FROM WATERLINE DOWN 3'.	3	1	3 Each

General Comments

Bent 75

Pile 1

Prestressed Concrete Pile

Element Number	Element Name	Total Qty	CS1 Qty	CS2 Qty	CS3 Qty	CS4 Qty
226	Prestressed Concrete Pile	1	0	0	1	0 Each

Element Number	Defect Type	Defect Description	CS	CS Qty	Maint Qty
226	Cracking (PSC)	U/W INSPECTION, MULTIPLE H/L CRACKS, MULTIPLE FACES, GENERALLY THESE CRACKS ARE LOST IN THE SCALING AREA. SCALING 1/2-1" DEEP WITH LOOSE AGGREGATE X 360° FROM WATERLINE DOWN 4'.	3	1	4 Each

General Comments

Bent 75

Cap 1

Reinforced Concrete Pier Cap

Element Number	Element Name	Total Qty	CS1 Qty	CS2 Qty	CS3 Qty	CS4 Qty
234	Reinforced Concrete Pier Cap	29	17	12	0	0 Feet

Element Number	Defect Type	Defect Description	CS	CS Qty	Maint Qty
234	Cracking (RC and Other)	BENT 75 CAP HAS SCATTERED CRACKS.	2	12	Feet

General Comments

Bent 75

Pile 2

Prestressed Concrete Pile

Element Number	Element Name	Total Qty	CS1 Qty	CS2 Qty	CS3 Qty	CS4 Qty
226	Prestressed Concrete Pile	1	0	0	1	0 Each

Element Number	Defect Type	Defect Description	CS	CS Qty	Maint Qty
226	Abrasion/Wear (PSC/RC)	U/W INSPECTION, SCALING 1/2-1" DEEP WITH LOOSE AGGREGATE X 360° FROM WATERLINE DOWN 4'.	3	1	4 Each

General Comments

Bent 75

Pile 3

Prestressed Concrete Pile

Element Number	Element Name	Total Qty	CS1 Qty	CS2 Qty	CS3 Qty	CS4 Qty
226	Prestressed Concrete Pile	1	0	0	1	0 Each

Element Number	Defect Type	Defect Description	CS	CS Qty	Maint Qty
226	Abrasion/Wear (PSC/RC)	U/W INSPECTION, SCALING 1/2-1" DEEP WITH LOOSE AGGREGATE X 360° FROM WATERLINE DOWN 4'.	3	1	4 Each

General Comments

Bent 75

Pile 4

Prestressed Concrete Pile

Element Number	Element Name	Total Qty	CS1 Qty	CS2 Qty	CS3 Qty	CS4 Qty
226	Prestressed Concrete Pile	1	0	0	1	0 Each

Element Number	Defect Type	Defect Description	CS	CS Qty	Maint Qty
226	Cracking (PSC)	U/W INSPECTION, MULTIPLE H/L CRACKS, MULTIPLE FACES, GENERALLY THESE CRACKS ARE LOST IN THE SCALING AREA. SCALING 1/2-1" DEEP WITH LOOSE AGGREGATE X 360° FROM WATERLINE DOWN 4'.	3	1	4 Each

General Comments

Bent 75

Pile 5

Prestressed Concrete Pile

Element Number	Element Name	Total Qty	CS1 Qty	CS2 Qty	CS3 Qty	CS4 Qty
226	Prestressed Concrete Pile	1	0	0	1	0 Each

Element Number	Defect Type	Defect Description	CS	CS Qty	Maint Qty
226	Cracking (PSC)	U/W INSPECTION, MULTIPLE H/L-1/32" CRACKS, MULTIPLE FACES, GENERALLY THESE CRACKS ARE LOST IN THE SCALING AREA. SCALING 1/2-1" DEEP WITH LOOSE AGGREGATE X 360° FROM WATERLINE DOWN 4'.	3	1	4 Each

General Comments

Bent 75

Pile 6

Prestressed Concrete Pile

Element Number	Element Name	Total Qty	CS1 Qty	CS2 Qty	CS3 Qty	CS4 Qty
226	Prestressed Concrete Pile	1	0	0	1	0 Each

Element Number	Defect Type	Defect Description	CS	CS Qty	Maint Qty
226	Cracking (PSC)	U/W INSPECTION, MULTIPLE H/L CRACKS, MULTIPLE FACES, GENERALLY THESE CRACKS ARE LOST IN THE SCALING AREA. SCALING 1/2-1" DEEP WITH LOOSE AGGREGATE X 360° FROM WATERLINE DOWN 4'.	3	1	4 Each

General Comments

Bent 76 Pile 1**Prestressed Concrete Pile**

Element Number	Element Name	Total Qty	CS1 Qty	CS2 Qty	CS3 Qty	CS4 Qty	
226	Prestressed Concrete Pile	1	0	0	1	0	Each

Element Number	Defect Type	Defect Description	CS	CS Qty	Maint Qty	
226	Cracking (PSC)	U/W INSPECTION, MULTIPLE H/L CRACKS, MULTIPLE FACES, GENERALLY THESE CRACKS ARE LOST IN THE SCALING AREA. SCALING 1/2-1" DEEP WITH LOOSE AGGREGATE X 360* FROM WATERLINE DOWN 4'.	3	1	4	Each

General Comments

Bent 76 Cap 1**Reinforced Concrete Pier Cap**

Element Number	Element Name	Total Qty	CS1 Qty	CS2 Qty	CS3 Qty	CS4 Qty	
234	Reinforced Concrete Pier Cap	29	8	21	0	0	Feet

Element Number	Defect Type	Defect Description	CS	CS Qty	Maint Qty	
234	Patched Area	BENT 76 CAP SOUTH FACE HAS SCATTERED PATCHED AREAS WITH SOME HAIRLINE CRACKS. PATCHES ARE SOUND.	2	10		Feet
234	Patched Area	BENT 76 CAP TOP, BOTTOM, NORTH FACE AND EAST END from beam 3 to East end, sound patch.	2	11		Feet

General Comments

Bent 76 Pile 2**Prestressed Concrete Pile**

Element Number	Element Name	Total Qty	CS1 Qty	CS2 Qty	CS3 Qty	CS4 Qty	
226	Prestressed Concrete Pile	1	0	0	1	0	Each

Element Number	Defect Type	Defect Description	CS	CS Qty	Maint Qty	
226	Cracking (PSC)	U/W INSPECTION, MULTIPLE H/L-1/16" CRACKS, MULTIPLE FACES, GENERALLY THESE CRACKS ARE LOST IN THE SCALING AREA. SCALING 1/2-1" DEEP WITH LOOSE AGGREGATE X 360* FROM WATERLINE DOWN 4'.	3	1	4	Each

General Comments

Bent 76 Pile 3**Prestressed Concrete Pile**

Element Number	Element Name	Total Qty	CS1 Qty	CS2 Qty	CS3 Qty	CS4 Qty	
226	Prestressed Concrete Pile	1	0	0	1	0	Each

Element Number	Defect Type	Defect Description	CS	CS Qty	Maint Qty	
226	Cracking (PSC)	U/W INSPECTION, MULTIPLE H/L CRACKS, MULTIPLE FACES, GENERALLY THESE CRACKS ARE LOST IN THE SCALING AREA. SCALING 1/2-1" DEEP WITH LOOSE AGGREGATE X 360* FROM WATERLINE DOWN 4'.	3	1	4	Each

General Comments

Bent 76 Pile 4**Prestressed Concrete Pile**

Element Number	Element Name	Total Qty	CS1 Qty	CS2 Qty	CS3 Qty	CS4 Qty
226	Prestressed Concrete Pile	1	0	0	1	0 Each

Element Number	Defect Type	Defect Description	CS	CS Qty	Maint Qty
226	Abrasion/Wear (PSC/RC)	U/W INSPECTION, SCALING 1/2-1" DEEP WITH LOOSE AGGREGATE X 360° FROM WATERLINE DOWN 4'.	3	1	4 Each

General Comments

Bent 76 Pile 5**Prestressed Concrete Pile**

Element Number	Element Name	Total Qty	CS1 Qty	CS2 Qty	CS3 Qty	CS4 Qty
226	Prestressed Concrete Pile	1	0	0	1	0 Each

Element Number	Defect Type	Defect Description	CS	CS Qty	Maint Qty
226	Cracking (PSC)	U/W INSPECTION, MULTIPLE H/L-1/16" CRACKS, MULTIPLE FACES, GENERALLY THESE CRACKS ARE LOST IN THE SCALING AREA. SCALING 1/2-1" DEEP WITH LOOSE AGGREGATE X 360° FROM WATERLINE DOWN 4'.	3	1	4 Each

General Comments

Bent 76 Pile 6**Prestressed Concrete Pile**

Element Number	Element Name	Total Qty	CS1 Qty	CS2 Qty	CS3 Qty	CS4 Qty
226	Prestressed Concrete Pile	1	0	0	1	0 Each

Element Number	Defect Type	Defect Description	CS	CS Qty	Maint Qty
226	Cracking (PSC)	U/W INSPECTION, MULTIPLE H/L CRACKS, MULTIPLE FACES, GENERALLY THESE CRACKS ARE LOST IN THE SCALING AREA. SCALING 1/2-1" DEEP WITH LOOSE AGGREGATE X 360° FROM WATERLINE DOWN 4'.	3	1	4 Each

General Comments

Bent 77 Pile 1**Prestressed Concrete Pile**

Element Number	Element Name	Total Qty	CS1 Qty	CS2 Qty	CS3 Qty	CS4 Qty
226	Prestressed Concrete Pile	1	0	0	1	0 Each

Element Number	Defect Type	Defect Description	CS	CS Qty	Maint Qty
226	Abrasion/Wear (PSC/RC)	U/W INSPECTION, SCALING 1/2-1" DEEP WITH LOOSE AGGREGATE X 360° FROM WATERLINE DOWN 3'.	3	1	3 Each

General Comments

Bent 77 Cap 1**Reinforced Concrete Pier Cap**

Element Number	Element Name	Total Qty	CS1 Qty	CS2 Qty	CS3 Qty	CS4 Qty
234	Reinforced Concrete Pier Cap	29	0	29	0	0 Feet

Element Number	Defect Type	Defect Description	CS	CS Qty	Maint Qty
234	Cracking (RC and Other)	BENT 77 CAP HAS SCATTERED CRACKS.	2	6	Feet
234	Patched Area	along both sides and top, multiple sound patches [up to full height]	2	23	Feet

General Comments

Bent 77 Pile 2**Prestressed Concrete Pile**

Element Number	Element Name	Total Qty	CS1 Qty	CS2 Qty	CS3 Qty	CS4 Qty
226	Prestressed Concrete Pile	1	0	0	1	0 Each

Element Number	Defect Type	Defect Description	CS	CS Qty	Maint Qty
226	Cracking (PSC)	U/W INSPECTION, MULTIPLE H/L CRACKS, MULTIPLE FACES, GENERALLY THESE CRACKS ARE LOST IN THE SCALING AREA. SCALING 1/2-1" DEEP WITH LOOSE AGGREGATE X 360" FROM WATERLINE DOWN 3'.	3	1	3 Each

General Comments

Bent 77 Pile 3**Prestressed Concrete Pile**

Element Number	Element Name	Total Qty	CS1 Qty	CS2 Qty	CS3 Qty	CS4 Qty
226	Prestressed Concrete Pile	1	0	0	1	0 Each

Element Number	Defect Type	Defect Description	CS	CS Qty	Maint Qty
226	Cracking (PSC)	U/W INSPECTION, MULTIPLE H/L CRACKS, MULTIPLE FACES, GENERALLY THESE CRACKS ARE LOST IN THE SCALING AREA. SCALING 1/2-1" DEEP WITH LOOSE AGGREGATE X 360" FROM WATERLINE DOWN 3'.	3	1	3 Each

General Comments

Bent 77 Pile 4**Prestressed Concrete Pile**

Element Number	Element Name	Total Qty	CS1 Qty	CS2 Qty	CS3 Qty	CS4 Qty
226	Prestressed Concrete Pile	1	0	0	1	0 Each

Element Number	Defect Type	Defect Description	CS	CS Qty	Maint Qty
226	Abrasion/Wear (PSC/RC)	U/W INSPECTION, SCALING 1/2-1" DEEP WITH LOOSE AGGREGATE X 360" FROM WATERLINE DOWN 3'.	3	1	3 Each

General Comments

Bent 77

Pile 5

Prestressed Concrete Pile

Element Number	Element Name	Total Qty	CS1 Qty	CS2 Qty	CS3 Qty	CS4 Qty
226	Prestressed Concrete Pile	1	0	0	1	0 Each

Element Number	Defect Type	Defect Description	CS	CS Qty	Maint Qty
226	Abrasion/Wear (PSC/RC)	U/W INSPECTION, SCALING 1/2-1" DEEP WITH LOOSE AGGREGATE X 360* FROM WATERLINE DOWN 3'.	3	1	3 Each

General Comments

Bent 77

Pile 6

Prestressed Concrete Pile

Element Number	Element Name	Total Qty	CS1 Qty	CS2 Qty	CS3 Qty	CS4 Qty
226	Prestressed Concrete Pile	1	0	0	1	0 Each

Element Number	Defect Type	Defect Description	CS	CS Qty	Maint Qty
226	Abrasion/Wear (PSC/RC)	U/W INSPECTION, SCALING 1/2-1" DEEP WITH LOOSE AGGREGATE X 360* FROM WATERLINE DOWN 3'.	3	1	3 Each

General Comments

Bent 78

Pile 1

Prestressed Concrete Pile

Element Number	Element Name	Total Qty	CS1 Qty	CS2 Qty	CS3 Qty	CS4 Qty
226	Prestressed Concrete Pile	1	1	0	0	0 Each

Element Number	Defect Type	Defect Description	CS	CS Qty	Maint Qty
226	Cracking (PSC)	U/W INSPECTION, MULTIPLE H-/1/32"L CRACKS, MULTIPLE FACES, GENERALLY THESE CRACKS ARE LOST IN THE SCALING AREA. SCALING 1/2-1" DEEP WITH LOOSE AGGREGATE X 360* FROM WATERLINE DOWN 3'. PILE HAS BEEN JACKETED.	1	1	Each

General Comments

PILE HAS BEEN JACKETED.

Bent 78

Cap 1

Reinforced Concrete Pier Cap

Element Number	Element Name	Total Qty	CS1 Qty	CS2 Qty	CS3 Qty	CS4 Qty
234	Reinforced Concrete Pier Cap	29	12	17	0	0 Feet

Element Number	Defect Type	Defect Description	CS	CS Qty	Maint Qty
234	Patched Area	BENT 78 CAP BOTTOM, SOUTH, NORTH AND EAST FACE AT PILE 7. sound patch	2	6	Feet
234	Patched Area	BENT 78 CAP SOUTH FACE HAS A sound patch. AREA BEGINS MID-BAY 2 AND EXTENDS TO MID-BAY 3.	2	11	Feet

General Comments

Bent 78 Pile 2

Prestressed Concrete Pile

Element Number	Element Name	Total Qty	CS1 Qty	CS2 Qty	CS3 Qty	CS4 Qty
226	Prestressed Concrete Pile	1	0	0	1	0 Each

Element Number	Defect Type	Defect Description	CS	CS Qty	Maint Qty
226	Cracking (PSC)	U/W INSPECTION, MULTIPLE H/-1/32"L CRACKS, MULTIPLE FACES, GENERALLY THESE CRACKS ARE LOST IN THE SCALING AREA. SCALING 1/2-1" DEEP WITH LOOSE AGGREGATE X 360* FROM WATERLINE DOWN 3'.	3	1	3 Each

General Comments

Bent 78 Pile 3

Prestressed Concrete Pile

Element Number	Element Name	Total Qty	CS1 Qty	CS2 Qty	CS3 Qty	CS4 Qty
226	Prestressed Concrete Pile	1	1	0	0	0 Each

Element Number	Defect Type	Defect Description	CS	CS Qty	Maint Qty
226	Cracking (PSC)	U/W INSPECTION; MULTIPLE H/L CRACKS, MULTIPLE FACES, W/L DOWN 3', GENERALLY THESE CRACKS ARE LOST IN THE SCALING AREA. SCALING TO 1/2" - 3/4" DEEP WITH LOOSE AGGREGATE X 360*. PILE HAS BEEN JACKETED.	1	1	Each

General Comments

PILE HAS BEEN JACKETED.

Bent 78 Pile 4

Prestressed Concrete Pile

Element Number	Element Name	Total Qty	CS1 Qty	CS2 Qty	CS3 Qty	CS4 Qty
226	Prestressed Concrete Pile	1	0	0	1	0 Each

Element Number	Defect Type	Defect Description	CS	CS Qty	Maint Qty
226	Cracking (PSC)	U/W INSPECTION, MULTIPLE H/L-1/16" CRACKS, MULTIPLE FACES, GENERALLY THESE CRACKS ARE LOST IN THE SCALING AREA. SCALING 1/2-1" DEEP WITH LOOSE AGGREGATE X 360* FROM WATERLINE DOWN 3'.	3	1	3 Each

General Comments

Bent 78 Pile 6

Prestressed Concrete Pile

Element Number	Element Name	Total Qty	CS1 Qty	CS2 Qty	CS3 Qty	CS4 Qty
226	Prestressed Concrete Pile	1	1	0	0	0 Each

Element Number	Defect Type	Defect Description	CS	CS Qty	Maint Qty
226	Abrasion/Wear (PSC/RC)	U/W INSPECTION, MULTIPLE H/-1/32"L CRACKS, MULTIPLE FACES, GENERALLY THESE CRACKS ARE LOST IN THE SCALING AREA. SCALING 1/2-1" DEEP WITH LOOSE AGGREGATE X 360* FROM WATERLINE DOWN 3'. PILE HAS BEEN JACKETED.	1	1	Each

General Comments

PILE HAS BEEN JACKETED.

Bent 78 Pile 7
Prestressed Concrete Pile

Element Number	Element Name	Total Qty	CS1 Qty	CS2 Qty	CS3 Qty	CS4 Qty
226	Prestressed Concrete Pile	1	1	0	0	0 Each

Element Number	Defect Type	Defect Description	CS	CS Qty	Maint Qty
226	Cracking (PSC)	U/W INSPECTION; MULTIPLE H/L CRACKS, MULTIPLE FACES, W/L DOWN 3'. GENERALLY THESE CRACKS ARE LOST IN THE SCALING AREA. SCALING TO 1/2" - 3/4" DEEP WITH LOOSE AGGREGATE X 360*. PILE HAS BEEN JACKETED.	1	1	Each

General Comments
 PILE HAS BEEN JACKETED.

Bent 78 Pile 5
Prestressed Concrete Pile

Element Number	Element Name	Total Qty	CS1 Qty	CS2 Qty	CS3 Qty	CS4 Qty
226	Prestressed Concrete Pile	1	1	0	0	0 Each

Element Number	Defect Type	Defect Description	CS	CS Qty	Maint Qty
226	Abrasion/Wear (PSC/RC)	U/W INSPECTION, MULTIPLE H/-1/32"L CRACKS, MULTIPLE FACES, GENERALLY THESE CRACKS ARE LOST IN THE SCALING AREA. SCALING 1/2-1" DEEP WITH LOOSE AGGREGATE X 360* FROM WATERLINE DOWN 3'. PILE HAS BEEN JACKETED.	1	1	Each

General Comments
 PILE HAS BEEN JACKETED.

Bent 79 Pile 1
Prestressed Concrete Pile

Element Number	Element Name	Total Qty	CS1 Qty	CS2 Qty	CS3 Qty	CS4 Qty
226	Prestressed Concrete Pile	1	1	0	0	0 Each

Element Number	Defect Type	Defect Description	CS	CS Qty	Maint Qty
226	Abrasion/Wear (PSC/RC)	U/W INSPECTION, MULTIPLE H/-1/32"L CRACKS, MULTIPLE FACES, GENERALLY THESE CRACKS ARE LOST IN THE SCALING AREA. SCALING 1/2-1" DEEP WITH LOOSE AGGREGATE X 360* FROM WATERLINE DOWN 3'. PILE HAS BEEN JACKETED.	1	1	Each

General Comments
 PILE HAS BEEN JACKETED.

Bent 79 Cap 1
Reinforced Concrete Pier Cap

Element Number	Element Name	Total Qty	CS1 Qty	CS2 Qty	CS3 Qty	CS4 Qty
234	Reinforced Concrete Pier Cap	29	3	26	0	0 Feet

Element Number	Defect Type	Defect Description	CS	CS Qty	Maint Qty
234	Delamination/Spall	BENT 79 CAP TOP AND NORTH FACE BAY 1. HAS A CRACKED AND DELAMINATED AREA. AREA IS: FROM TOP EDGE BACK 5", FROM TOP EDGE DOWN 8" x 30".	2	3	3 Feet
234	Delamination/Spall	BENT 79 CAP TOP AND SOUTH FACE AT BEAM 3. HAS [2] two CRACKED AND DELAMINATED AREAS. [up to 10in x up to 27in]	2	5	5 Feet

234 Patched Area BENT 79 CAP SOUTH FACE HAS SCATTERED PATCHED AREAS WITH SOME HAIRLINE CRACKS. PATCHES ARE SOUND. 2 18 Feet

General Comments

Bent 79 Pile 2
Prestressed Concrete Pile

Element Number	Element Name	Total Qty	CS1 Qty	CS2 Qty	CS3 Qty	CS4 Qty	
226	Prestressed Concrete Pile	1	1	0	0	0	Each

Element Number	Defect Type	Defect Description	CS	CS Qty	Maint Qty	
226	Abrasion/Wear (PSC/RC)	U/W INSPECTION, MULTIPLE H/-1/32"L CRACKS, MULTIPLE FACES, GENERALLY THESE CRACKS ARE LOST IN THE SCALING AREA. SCALING 1/2-1" DEEP WITH LOOSE AGGREGATE X 360° FROM WATERLINE DOWN 3'. PILE HAS BEEN JACKETED.	1	1		Each

General Comments

PILE HAS BEEN JACKETED.

Bent 79 Pile 3
Prestressed Concrete Pile

Element Number	Element Name	Total Qty	CS1 Qty	CS2 Qty	CS3 Qty	CS4 Qty	
226	Prestressed Concrete Pile	1	1	0	0	0	Each

Element Number	Defect Type	Defect Description	CS	CS Qty	Maint Qty	
226	Abrasion/Wear (PSC/RC)	U/W INSPECTION, MULTIPLE H/-1/32"L CRACKS, MULTIPLE FACES, GENERALLY THESE CRACKS ARE LOST IN THE SCALING AREA. SCALING 1/2-1" DEEP WITH LOOSE AGGREGATE X 360° FROM WATERLINE DOWN 3'. PILE HAS BEEN JACKETED.	1	1		Each

General Comments

PILE HAS BEEN JACKETED.

Bent 79 Pile 4
Prestressed Concrete Pile

Element Number	Element Name	Total Qty	CS1 Qty	CS2 Qty	CS3 Qty	CS4 Qty	
226	Prestressed Concrete Pile	1	1	0	0	0	Each

Element Number	Defect Type	Defect Description	CS	CS Qty	Maint Qty	
226	Abrasion/Wear (PSC/RC)	U/W INSPECTION, MULTIPLE H/-1/32"L CRACKS, MULTIPLE FACES, GENERALLY THESE CRACKS ARE LOST IN THE SCALING AREA. SCALING 1/2-1" DEEP WITH LOOSE AGGREGATE X 360° FROM WATERLINE DOWN 3'. PILE HAS BEEN JACKETED.	1	1		Each

General Comments

PILE HAS BEEN JACKETED.

Bent 79 Pile 5
Prestressed Concrete Pile

Element Number	Element Name	Total Qty	CS1 Qty	CS2 Qty	CS3 Qty	CS4 Qty	
226	Prestressed Concrete Pile	1	1	0	0	0	Each

Element Number	Defect Type	Defect Description	CS	CS Qty	Maint Qty	
----------------	-------------	--------------------	----	--------	-----------	--

Structure Number: 070007

Inspection Date: 03/03/2022

226	Abrasion/Wear (PSC/RC)	U/W INSPECTION, MULTIPLE H/-1/32"L CRACKS, MULTIPLE FACES, GENERALLY THESE CRACKS ARE LOST IN THE SCALING AREA. SCALING 1/2-1" DEEP WITH LOOSE AGGREGATE X 360° FROM WATERLINE DOWN 3'. PILE HAS BEEN JACKETED.	1	1	Each
-----	---------------------------	---	---	---	------

General Comments

PILE HAS BEEN JACKETED.

Bent 79 Pile 6

Prestressed Concrete Pile

Element Number	Element Name	Total Qty	CS1 Qty	CS2 Qty	CS3 Qty	CS4 Qty
226	Prestressed Concrete Pile	1	0	0	1	0 Each

Element Number	Defect Type	Defect Description	CS	CS Qty	Maint Qty
226	Abrasion/Wear (PSC/RC)	U/W INSPECTION; SCALING 3/4-1" DEEP WITH LOOSE AGGREGATE X 360° FROM WATERLINE DOWN 4'.	3	1	4 Each

General Comments

Bent 80 Pile 1

Prestressed Concrete Pile

Element Number	Element Name	Total Qty	CS1 Qty	CS2 Qty	CS3 Qty	CS4 Qty
226	Prestressed Concrete Pile	1	0	0	1	0 Each

Element Number	Defect Type	Defect Description	CS	CS Qty	Maint Qty
226	Cracking (PSC)	U/W INSPECTION, MULTIPLE H/L CRACKS, MULTIPLE FACES, GENERALLY THESE CRACKS ARE LOST IN THE SCALING AREA. SCALING 1/2-1" DEEP WITH LOOSE AGGREGATE X 360° FROM WATERLINE DOWN 3'.	3	1	4 Each

General Comments

Bent 80 Cap 1

Reinforced Concrete Pier Cap

Element Number	Element Name	Total Qty	CS1 Qty	CS2 Qty	CS3 Qty	CS4 Qty
234	Reinforced Concrete Pier Cap	29	0	29	0	0 Feet

Element Number	Defect Type	Defect Description	CS	CS Qty	Maint Qty
234	Patched Area	along both sides and bottom, multiple sound patches [up to full height]	2	29	Feet

General Comments

Bent 80 Pile 2

Prestressed Concrete Pile

Element Number	Element Name	Total Qty	CS1 Qty	CS2 Qty	CS3 Qty	CS4 Qty
226	Prestressed Concrete Pile	1	0	0	1	0 Each

Element Number	Defect Type	Defect Description	CS	CS Qty	Maint Qty
226	Cracking (PSC)	U/W INSPECTION; MULTIPLE H/L CRACKS, MULTIPLE FACES, W/L DOWN 3'. GENERALLY THESE CRACKS ARE LOST IN THE SCALING AREA. SCALING TO 1/2" - 3/4" DEEP WITH LOOSE AGGREGATE X 360°. PILE HAS BEEN JACKETED.	3	1	Each

General Comments

PILE HAS BEEN JACKETED.

Bent 80 Pile 3

Prestressed Concrete Pile

Element Number	Element Name	Total Qty	CS1 Qty	CS2 Qty	CS3 Qty	CS4 Qty	
226	Prestressed Concrete Pile	1	1	0	0	0	Each

Element Number	Defect Type	Defect Description	CS	CS Qty	Maint Qty	
226	Cracking (PSC)	U/W INSPECTION; MULTIPLE H/L CRACKS, MULTIPLE FACES, W/L DOWN 3', GENERALLY THESE CRACKS ARE LOST IN THE SCALING AREA. SCALING TO 1/2" - 3/4" DEEP WITH LOOSE AGGREGATE X 360*. PILE HAS BEEN JACKETED.	1	1		Each

General Comments

PILE HAS BEEN JACKETED.

Bent 80 Pile 4

Prestressed Concrete Pile

Element Number	Element Name	Total Qty	CS1 Qty	CS2 Qty	CS3 Qty	CS4 Qty	
226	Prestressed Concrete Pile	1	1	0	0	0	Each

Element Number	Defect Type	Defect Description	CS	CS Qty	Maint Qty	
226	Cracking (PSC)	U/W INSPECTION; MULTIPLE H/L CRACKS, MULTIPLE FACES, W/L DOWN 3', GENERALLY THESE CRACKS ARE LOST IN THE SCALING AREA. SCALING TO 1/2" - 3/4" DEEP WITH LOOSE AGGREGATE X 360*. PILE HAS BEEN JACKETED.	1	1		Each

General Comments

PILE HAS BEEN JACKETED.

Bent 80 Pile 5

Prestressed Concrete Pile

Element Number	Element Name	Total Qty	CS1 Qty	CS2 Qty	CS3 Qty	CS4 Qty	
226	Prestressed Concrete Pile	1	0	0	1	0	Each

Element Number	Defect Type	Defect Description	CS	CS Qty	Maint Qty	
226	Abrasion/Wear (PSC/RC)	U/W INSPECTION, SCALING 1/2-1" DEEP WITH LOOSE AGGREGATE X 360* FROM WATERLINE DOWN 3'.	3	1	4	Each

General Comments

Bent 80 Pile 6

Prestressed Concrete Pile

Element Number	Element Name	Total Qty	CS1 Qty	CS2 Qty	CS3 Qty	CS4 Qty	
226	Prestressed Concrete Pile	1	0	0	1	0	Each

Element Number	Defect Type	Defect Description	CS	CS Qty	Maint Qty	
226	Abrasion/Wear (PSC/RC)	U/W INSPECTION, SCALING 1/2-1" DEEP WITH LOOSE AGGREGATE X 360* FROM WATERLINE DOWN 3'.	3	1	4	Each

General Comments

Bent 81 Pile 1**Prestressed Concrete Pile**

Element Number	Element Name	Total Qty	CS1 Qty	CS2 Qty	CS3 Qty	CS4 Qty	
226	Prestressed Concrete Pile	1	1	0	0	0	Each

Element Number	Defect Type	Defect Description	CS	CS Qty	Maint Qty	
226	Abrasion/Wear (PSC/RC)	U/W INSPECTION, SCALING 1/2-1" DEEP WITH LOOSE AGGREGATE X 360" FROM WATERLINE DOWN 3'. PILE HAS BEEN JACKETED.	1	1		Each

General Comments

PILE HAS BEEN JACKETED.

Bent 81 Cap 1**Reinforced Concrete Pier Cap**

Element Number	Element Name	Total Qty	CS1 Qty	CS2 Qty	CS3 Qty	CS4 Qty	
234	Reinforced Concrete Pier Cap	29	0	29	0	0	Feet

Element Number	Defect Type	Defect Description	CS	CS Qty	Maint Qty	
234	Delamination/Spall	BENT 81 CAP NORTHWEST CORNER. HAS A CRACKED AND DELAMINATED AREA. AREA ON WEST FACE IS: FROM BOTTOM EDGE UP 7" x 14". AREA ON NORTH FACE IS: FROM BOTTOM EDGE UP 5" x 27".	2	3		3 Feet
234	Patched Area	BENT 81 CAP NORTH FACE AT BEAM 3. sound patch	2	3		Feet
234	Patched Area	BENT 81 CAP SOUTH FACE BAY 3. sound patch	2	7		Feet
234	Patched Area	BENT 81 CAP SOUTH FACE HAS SCATTERED PATCHED AREAS WITH SOME HAIRLINE CRACKS. PATCHES ARE SOUND.	2	16		Feet

General Comments

Bent 81 Pile 2**Prestressed Concrete Pile**

Element Number	Element Name	Total Qty	CS1 Qty	CS2 Qty	CS3 Qty	CS4 Qty	
226	Prestressed Concrete Pile	1	1	0	0	0	Each

Element Number	Defect Type	Defect Description	CS	CS Qty	Maint Qty	
226	Abrasion/Wear (PSC/RC)	U/W INSPECTION, SCALING 1/2-1" DEEP WITH LOOSE AGGREGATE X 360" FROM WATERLINE DOWN 3'. PILE HAS BEEN JACKETED.	1	1		Each

General Comments

PILE HAS BEEN JACKETED.

Bent 81 Pile 3**Prestressed Concrete Pile**

Element Number	Element Name	Total Qty	CS1 Qty	CS2 Qty	CS3 Qty	CS4 Qty	
226	Prestressed Concrete Pile	1	1	0	0	0	Each

Element Number	Defect Type	Defect Description	CS	CS Qty	Maint Qty	
226	Abrasion/Wear (PSC/RC)	U/W INSPECTION, SCALING 1/2-1" DEEP WITH LOOSE AGGREGATE X 360" FROM WATERLINE DOWN 3'. PILE HAS BEEN JACKETED.	1	1		Each

General Comments

PILE HAS BEEN JACKETED.

Bent 81 Pile 4**Prestressed Concrete Pile**

Element Number	Element Name	Total Qty	CS1 Qty	CS2 Qty	CS3 Qty	CS4 Qty	
226	Prestressed Concrete Pile	1	1	0	0	0	Each

Element Number	Defect Type	Defect Description	CS	CS Qty	Maint Qty	
226	Abrasion/Wear (PSC/RC)	U/W INSPECTION, SCALING 1/2-1" DEEP WITH LOOSE AGGREGATE X 360" FROM WATERLINE DOWN 3'. PILE HAS BEEN JACKETED.	1	1		Each

General Comments

PILE HAS BEEN JACKETED.

Bent 81 Pile 5**Prestressed Concrete Pile**

Element Number	Element Name	Total Qty	CS1 Qty	CS2 Qty	CS3 Qty	CS4 Qty	
226	Prestressed Concrete Pile	1	1	0	0	0	Each

Element Number	Defect Type	Defect Description	CS	CS Qty	Maint Qty	
226	Abrasion/Wear (PSC/RC)	U/W INSPECTION, SCALING 1/2-1" DEEP WITH LOOSE AGGREGATE X 360" FROM WATERLINE DOWN 3'. PILE HAS BEEN JACKETED.	1	1		Each

General Comments

PILE HAS BEEN JACKETED.

Bent 81 Pile 6**Prestressed Concrete Pile**

Element Number	Element Name	Total Qty	CS1 Qty	CS2 Qty	CS3 Qty	CS4 Qty	
226	Prestressed Concrete Pile	1	1	0	0	0	Each

Element Number	Defect Type	Defect Description	CS	CS Qty	Maint Qty	
226	Abrasion/Wear (PSC/RC)	U/W INSPECTION, SCALING 1/2-1" DEEP WITH LOOSE AGGREGATE X 360" FROM WATERLINE DOWN 3'. PILE HAS BEEN JACKETED.	1	1		Each

General Comments

PILE HAS BEEN JACKETED.

Bent 82 Pile 1**Prestressed Concrete Pile**

Element Number	Element Name	Total Qty	CS1 Qty	CS2 Qty	CS3 Qty	CS4 Qty	
226	Prestressed Concrete Pile	1	0	0	1	0	Each

Element Number	Defect Type	Defect Description	CS	CS Qty	Maint Qty	
226	Abrasion/Wear (PSC/RC)	U/W INSPECTION, SCALING 1/2-1" DEEP WITH LOOSE AGGREGATE X 360" FROM WATERLINE DOWN 3'.	3	1	3	Each

General Comments

Bent 82 Cap 1

Reinforced Concrete Pier Cap

Element Number	Element Name	Total Qty	CS1 Qty	CS2 Qty	CS3 Qty	CS4 Qty
234	Reinforced Concrete Pier Cap	29	27	1	1	0 Feet

Element Number	Defect Type	Defect Description	CS	CS Qty	Maint Qty
234	Delamination/Spall	across East face, spall [32in x 4in x 3in deep] with exposed rusted reinforcing [up to 10% section loss] OVER PILES 5 AND 6	3	1	1 Feet
234	Delamination/Spall	at bay 1, delamination [12in x 3in]	2	1	1 Feet

General Comments

Bent 82 Pile 2

Prestressed Concrete Pile

Element Number	Element Name	Total Qty	CS1 Qty	CS2 Qty	CS3 Qty	CS4 Qty
226	Prestressed Concrete Pile	1	0	0	1	0 Each

Element Number	Defect Type	Defect Description	CS	CS Qty	Maint Qty
226	Abrasion/Wear (PSC/RC)	U/W INSPECTION, SCALING 1/2-1" DEEP WITH LOOSE AGGREGATE X 360* FROM WATERLINE DOWN 3'.	3	1	3 Each

General Comments

Bent 82 Pile 3

Prestressed Concrete Pile

Element Number	Element Name	Total Qty	CS1 Qty	CS2 Qty	CS3 Qty	CS4 Qty
226	Prestressed Concrete Pile	1	0	0	1	0 Each

Element Number	Defect Type	Defect Description	CS	CS Qty	Maint Qty
226	Abrasion/Wear (PSC/RC)	U/W INSPECTION, SCALING 1/2-1" DEEP WITH LOOSE AGGREGATE X 360* FROM WATERLINE DOWN 3'.	3	1	3 Each

General Comments

Bent 82 Pile 4

Prestressed Concrete Pile

Element Number	Element Name	Total Qty	CS1 Qty	CS2 Qty	CS3 Qty	CS4 Qty
226	Prestressed Concrete Pile	1	1	0	0	0 Each

Element Number	Defect Type	Defect Description	CS	CS Qty	Maint Qty
226	Cracking (PSC)	U/W INSPECTION; MULTIPLE H/L CRACKS, MULTIPLE FACES, W/L DOWN 3', GENERALLY THESE CRACKS ARE LOST IN THE SCALING AREA. SCALING TO 1/2" - 3/4" DEEP WITH LOOSE AGGREGATE X 360*. PILE HAS BEEN JACKETED.	1	1	Each

General Comments

PILE HAS BEEN JACKETED.

Bent 82 Pile 5
Prestressed Concrete Pile

Element Number	Element Name	Total Qty	CS1 Qty	CS2 Qty	CS3 Qty	CS4 Qty	
226	Prestressed Concrete Pile	1	1	0	0	0	Each

Element Number	Defect Type	Defect Description	CS	CS Qty	Maint Qty	
226	Cracking (PSC)	U/W INSPECTION; MULTIPLE H/L CRACKS, MULTIPLE FACES, W/L DOWN 3'. GENERALLY THESE CRACKS ARE LOST IN THE SCALING AREA. SCALING TO 1/2" - 3/4" DEEP WITH LOOSE AGGREGATE X 360*. PILE HAS BEEN JACKETED.	1	1		Each

General Comments
 PILE HAS BEEN JACKETED.

Bent 82 Pile 6
Prestressed Concrete Pile

Element Number	Element Name	Total Qty	CS1 Qty	CS2 Qty	CS3 Qty	CS4 Qty	
226	Prestressed Concrete Pile	1	1	0	0	0	Each

Element Number	Defect Type	Defect Description	CS	CS Qty	Maint Qty	
226	Cracking (PSC)	U/W INSPECTION; MULTIPLE H/L CRACKS, MULTIPLE FACES, W/L DOWN 3'. GENERALLY THESE CRACKS ARE LOST IN THE SCALING AREA. SCALING TO 1/2" - 3/4" DEEP WITH LOOSE AGGREGATE X 360*. PILE HAS BEEN JACKETED.	1	1		Each

General Comments
 PILE HAS BEEN JACKETED.

Bent 82 Pile 7
Prestressed Concrete Pile

Element Number	Element Name	Total Qty	CS1 Qty	CS2 Qty	CS3 Qty	CS4 Qty	
226	Prestressed Concrete Pile	1	1	0	0	0	Each

Element Number	Defect Type	Defect Description	CS	CS Qty	Maint Qty	
226	Cracking (PSC)	U/W INSPECTION; MULTIPLE H/L CRACKS, MULTIPLE FACES, W/L DOWN 3'. GENERALLY THESE CRACKS ARE LOST IN THE SCALING AREA. SCALING TO 1/2" - 3/4" DEEP WITH LOOSE AGGREGATE X 360*. PILE HAS BEEN JACKETED.	1	1		Each

General Comments
 PILE HAS BEEN JACKETED.

Bent 83 Pile 1
Prestressed Concrete Pile

Element Number	Element Name	Total Qty	CS1 Qty	CS2 Qty	CS3 Qty	CS4 Qty	
226	Prestressed Concrete Pile	1	1	0	0	0	Each

Element Number	Defect Type	Defect Description	CS	CS Qty	Maint Qty	
226	Efflorescence/Rust Staining	U/W INSPECTION, SCALING 1/2-1" DEEP WITH LOOSE AGGREGATE X 360* FROM WATERLINE DOWN 3'. PILE HAS BEEN JACKETED.	1	1		Each

General Comments
 PILE HAS BEEN JACKETED.

Bent 83 Cap 1**Reinforced Concrete Pier Cap**

Element Number	Element Name	Total Qty	CS1 Qty	CS2 Qty	CS3 Qty	CS4 Qty
234	Reinforced Concrete Pier Cap	29	11	18	0	0 Feet

Element Number	Defect Type	Defect Description	CS	CS Qty	Maint Qty
234	Patched Area	BENT 83 CAP NORTH FACE HAS SCATTERED PATCHED AREAS WITH SOME HAIRLINE CRACKS. PATCHES ARE SOUND.	2	6	Feet
234	Patched Area	BENT 83 CAP SOUTH FACE HAS A sound patch. AREA BEGINS UNDER BEAM 2 AND EXTENDS TO RIGHT OF BEAM 3.	2	12	Feet

General Comments

Bent 83 Pile 2**Prestressed Concrete Pile**

Element Number	Element Name	Total Qty	CS1 Qty	CS2 Qty	CS3 Qty	CS4 Qty
226	Prestressed Concrete Pile	1	1	0	0	0 Each

Element Number	Defect Type	Defect Description	CS	CS Qty	Maint Qty
226	Abrasion/Wear (PSC/RC)	U/W INSPECTION, SCALING 1/2-1" DEEP WITH LOOSE AGGREGATE X 360" FROM WATERLINE DOWN 3'. PILE HAS BEEN JACKETED.	1	1	Each

General Comments

PILE HAS BEEN JACKETED.

Bent 83 Pile 3**Prestressed Concrete Pile**

Element Number	Element Name	Total Qty	CS1 Qty	CS2 Qty	CS3 Qty	CS4 Qty
226	Prestressed Concrete Pile	1	1	0	0	0 Each

Element Number	Defect Type	Defect Description	CS	CS Qty	Maint Qty
226	Abrasion/Wear (PSC/RC)	U/W INSPECTION, SCALING 1/2-1" DEEP WITH LOOSE AGGREGATE X 360" FROM WATERLINE DOWN 3'. PILE HAS BEEN JACKETED.	1	1	Each

General Comments

PILE HAS BEEN JACKETED.

Bent 83 Pile 4**Prestressed Concrete Pile**

Element Number	Element Name	Total Qty	CS1 Qty	CS2 Qty	CS3 Qty	CS4 Qty
226	Prestressed Concrete Pile	1	1	0	0	0 Each

Element Number	Defect Type	Defect Description	CS	CS Qty	Maint Qty
226	Abrasion/Wear (PSC/RC)	U/W INSPECTION, SCALING 1/2-1" DEEP WITH LOOSE AGGREGATE X 360" FROM WATERLINE DOWN 3'. PILE HAS BEEN JACKETED.	1	1	Each

General Comments

PILE HAS BEEN JACKETED.

Bent 83 Pile 5**Prestressed Concrete Pile**

Element Number	Element Name	Total Qty	CS1 Qty	CS2 Qty	CS3 Qty	CS4 Qty	
226	Prestressed Concrete Pile	1	1	0	0	0	Each

Element Number	Defect Type	Defect Description	CS	CS Qty	Maint Qty	
226	Abrasion/Wear (PSC/RC)	U/W INSPECTION, SCALING 1/2-1" DEEP WITH LOOSE AGGREGATE X 360" FROM WATERLINE DOWN 3'. PILE HAS BEEN JACKETED.	1	1		Each

General Comments

PILE HAS BEEN JACKETED.

Bent 83 Pile 6**Prestressed Concrete Pile**

Element Number	Element Name	Total Qty	CS1 Qty	CS2 Qty	CS3 Qty	CS4 Qty	
226	Prestressed Concrete Pile	1	1	0	0	0	Each

Element Number	Defect Type	Defect Description	CS	CS Qty	Maint Qty	
226	Abrasion/Wear (PSC/RC)	U/W INSPECTION, SCALING 1/2-1" DEEP WITH LOOSE AGGREGATE X 360" FROM WATERLINE DOWN 3'. PILE HAS BEEN JACKETED.	1	1		Each

General Comments

PILE HAS BEEN JACKETED.

Bent 84 Pile 1**Prestressed Concrete Pile**

Element Number	Element Name	Total Qty	CS1 Qty	CS2 Qty	CS3 Qty	CS4 Qty	
226	Prestressed Concrete Pile	1	1	0	0	0	Each

Element Number	Defect Type	Defect Description	CS	CS Qty	Maint Qty	
226	Abrasion/Wear (PSC/RC)	U/W INSPECTION, SCALING 1/2-1" DEEP WITH LOOSE AGGREGATE X 360" FROM WATERLINE DOWN 3'. PILE HAS BEEN JACKETED.	1	1		Each

General Comments

PILE HAS BEEN JACKETED.

Bent 84 Cap 1**Reinforced Concrete Pier Cap**

Element Number	Element Name	Total Qty	CS1 Qty	CS2 Qty	CS3 Qty	CS4 Qty	
234	Reinforced Concrete Pier Cap	29	8	20	1	0	Feet

Element Number	Defect Type	Defect Description	CS	CS Qty	Maint Qty	
234	Delamination/Spall	on East face, spall [6in x 2in x 1in deep] with exposed rusted reinforcing [up to 10% section loss]	3	1	1	Feet
234	Cracking (RC and Other)	BENT 84 CAP HAS SCATTERED CRACKS.	2	12		Feet
234	Patched Area	BENT 84 CAP NORTH FACE HAS SCATTERED PATCHED AREAS WITH SOME HAIRLINE CRACKS. PATCHES ARE SOUND.	2	8		Feet

General Comments

Bent 84 Pile 2**Prestressed Concrete Pile**

Element Number	Element Name	Total Qty	CS1 Qty	CS2 Qty	CS3 Qty	CS4 Qty
226	Prestressed Concrete Pile	1	0	0	1	0 Each

Element Number	Defect Type	Defect Description	CS	CS Qty	Maint Qty
226	Abrasion/Wear (PSC/RC)	U/W INSPECTION, SCALING 1/2-1" DEEP WITH LOOSE AGGREGATE X 360° FROM WATERLINE DOWN 4'.	3	1	4 Each

General Comments

Bent 84 Pile 3**Prestressed Concrete Pile**

Element Number	Element Name	Total Qty	CS1 Qty	CS2 Qty	CS3 Qty	CS4 Qty
226	Prestressed Concrete Pile	1	1	0	0	0 Each

Element Number	Defect Type	Defect Description	CS	CS Qty	Maint Qty
226	Abrasion/Wear (PSC/RC)	U/W INSPECTION, SCALING 1/2-1" DEEP WITH LOOSE AGGREGATE X 360° FROM WATERLINE DOWN 3'. PILE HAS BEEN JACKETED.	1	1	Each

General Comments

PILE HAS BEEN JACKETED.

Bent 84 Pile 4**Prestressed Concrete Pile**

Element Number	Element Name	Total Qty	CS1 Qty	CS2 Qty	CS3 Qty	CS4 Qty
226	Prestressed Concrete Pile	1	0	0	1	0 Each

Element Number	Defect Type	Defect Description	CS	CS Qty	Maint Qty
226	Cracking (PSC)	U/W INSPECTION, MULTIPLE H/L-1/32" CRACKS, MULTIPLE FACES, GENERALLY THESE CRACKS ARE LOST IN THE SCALING AREA. SCALING 1/2-1" DEEP WITH LOOSE AGGREGATE X 360° FROM WATERLINE DOWN 4'.	3	1	4 Each

General Comments

Bent 84 Pile 5**Prestressed Concrete Pile**

Element Number	Element Name	Total Qty	CS1 Qty	CS2 Qty	CS3 Qty	CS4 Qty
226	Prestressed Concrete Pile	1	0	0	1	0 Each

Element Number	Defect Type	Defect Description	CS	CS Qty	Maint Qty
226	Cracking (PSC)	U/W INSPECTION, MULTIPLE H/L-1/16" CRACKS, MULTIPLE FACES, GENERALLY THESE CRACKS ARE LOST IN THE SCALING AREA. SCALING 1/2-1" DEEP WITH LOOSE AGGREGATE X 360° FROM WATERLINE DOWN 4'.	3	1	4 Each

General Comments

Bent 84 Pile 6**Prestressed Concrete Pile**

Element Number	Element Name	Total Qty	CS1 Qty	CS2 Qty	CS3 Qty	CS4 Qty	
226	Prestressed Concrete Pile	1	1	0	0	0	Each

Element Number	Defect Type	Defect Description	CS	CS Qty	Maint Qty	
226	Abrasion/Wear (PSC/RC)	U/W INSPECTION, SCALING 1/2-1" DEEP WITH LOOSE AGGREGATE X 360" FROM WATERLINE DOWN 3'. PILE HAS BEEN JACKETED.	1	1		Each

General Comments

PILE HAS BEEN JACKETED.

Bent 85 Pile 1**Prestressed Concrete Pile**

Element Number	Element Name	Total Qty	CS1 Qty	CS2 Qty	CS3 Qty	CS4 Qty	
226	Prestressed Concrete Pile	1	1	0	0	0	Each

Element Number	Defect Type	Defect Description	CS	CS Qty	Maint Qty	
226	Cracking (PSC)	U/W INSPECTION; MULTIPLE H/L CRACKS, MULTIPLE FACES, W/L DOWN 3', GENERALLY THESE CRACKS ARE LOST IN THE SCALING AREA. SCALING TO 1/2" - 3/4" DEEP WITH LOOSE AGGREGATE X 360". PILE HAS BEEN JACKETED.	1	1		Each

General Comments

PILE HAS BEEN JACKETED.

Bent 85 Cap 1**Reinforced Concrete Pier Cap**

Element Number	Element Name	Total Qty	CS1 Qty	CS2 Qty	CS3 Qty	CS4 Qty	
234	Reinforced Concrete Pier Cap	29	13	12	4	0	Feet

Element Number	Defect Type	Defect Description	CS	CS Qty	Maint Qty	
234	Delamination/Spall	BENT 85 CAP TOP AND SOUTH FACE BAY 3. HAS A CRACK/SPALL AND DELAMINATED AREA. TOTAL AREA IS: FROM TOP EDGE BACK 6", FROM TOP EDGE DOWN 8" x 39". SPALL AREA UNDER BEAM 4 IS: 7" x 12" x 1 1/2" DEEP.	3	4	4	Feet
234	Patched Area	BENT 85 CAP HAS SCATTERED PATCHED AREAS WITH SOME HAIRLINE CRACKS. PATCHES ARE SOUND.	2	12		Feet

General Comments

Bent 85 Pile 2**Prestressed Concrete Pile**

Element Number	Element Name	Total Qty	CS1 Qty	CS2 Qty	CS3 Qty	CS4 Qty	
226	Prestressed Concrete Pile	1	0	0	1	0	Each

Element Number	Defect Type	Defect Description	CS	CS Qty	Maint Qty	
226	Cracking (PSC)	U/W INSPECTION, MULTIPLE H/L-1/16" CRACKS, MULTIPLE FACES, GENERALLY THESE CRACKS ARE LOST IN THE SCALING AREA. SCALING 1/2-1" DEEP WITH LOOSE AGGREGATE X 360" FROM WATERLINE DOWN 4'.	3	1	4	Each

General Comments

Bent 85 Pile 3

Prestressed Concrete Pile

Element Number	Element Name	Total Qty	CS1 Qty	CS2 Qty	CS3 Qty	CS4 Qty	
226	Prestressed Concrete Pile	1	0	0	1	0	Each

Element Number	Defect Type	Defect Description	CS	CS Qty	Maint Qty	
226	Abrasion/Wear (PSC/RC)	U/W INSPECTION, SCALING 1/2-1" DEEP WITH LOOSE AGGREGATE X 360° FROM WATERLINE DOWN 4'.	3	1	4	Each

General Comments

Bent 85 Pile 4

Prestressed Concrete Pile

Element Number	Element Name	Total Qty	CS1 Qty	CS2 Qty	CS3 Qty	CS4 Qty	
226	Prestressed Concrete Pile	1	1	0	0	0	Each

Element Number	Defect Type	Defect Description	CS	CS Qty	Maint Qty	
226	Cracking (PSC)	U/W INSPECTION; MULTIPLE H/L CRACKS, MULTIPLE FACES, W/L DOWN 3'. GENERALLY THESE CRACKS ARE LOST IN THE SCALING AREA. SCALING TO 1/2" - 3/4" DEEP WITH LOOSE AGGREGATE X 360°. PILE HAS BEEN JACKETED.	1	1		Each

General Comments

PILE HAS BEEN JACKETED.

Bent 85 Pile 5

Prestressed Concrete Pile

Element Number	Element Name	Total Qty	CS1 Qty	CS2 Qty	CS3 Qty	CS4 Qty	
226	Prestressed Concrete Pile	1	0	0	1	0	Each

Element Number	Defect Type	Defect Description	CS	CS Qty	Maint Qty	
226	Cracking (PSC)	U/W INSPECTION, MULTIPLE H/L-1/32" CRACKS, MULTIPLE FACES, GENERALLY THESE CRACKS ARE LOST IN THE SCALING AREA. SCALING 1/2-1" DEEP WITH LOOSE AGGREGATE X 360° FROM WATERLINE DOWN 4'.	3	1	4	Each

General Comments

Bent 85 Pile 6

Prestressed Concrete Pile

Element Number	Element Name	Total Qty	CS1 Qty	CS2 Qty	CS3 Qty	CS4 Qty	
226	Prestressed Concrete Pile	1	1	0	0	0	Each

Element Number	Defect Type	Defect Description	CS	CS Qty	Maint Qty	
226	Cracking (PSC)	U/W INSPECTION; MULTIPLE H/L CRACKS, MULTIPLE FACES, W/L DOWN 3'. GENERALLY THESE CRACKS ARE LOST IN THE SCALING AREA. SCALING TO 1/2" - 3/4" DEEP WITH LOOSE AGGREGATE X 360°. PILE HAS BEEN JACKETED.	1	1		Each

General Comments

PILE HAS BEEN JACKETED.

Bent 86 Pile 1

Prestressed Concrete Pile

Element Number	Element Name	Total Qty	CS1 Qty	CS2 Qty	CS3 Qty	CS4 Qty	
226	Prestressed Concrete Pile	1	1	0	0	0	Each

Element Number	Defect Type	Defect Description	CS	CS Qty	Maint Qty	
226	Cracking (PSC)	U/W INSPECTION; MULTIPLE H/L CRACKS, MULTIPLE FACES, W/L DOWN 3', GENERALLY THESE CRACKS ARE LOST IN THE SCALING AREA. SCALING TO 1/2" - 3/4" DEEP WITH LOOSE AGGREGATE X 360*. PILE HAS BEEN JACKETED.	1	1		Each

General Comments

PILE HAS BEEN JACKETED.

Bent 86 Cap 1

Prestressed Concrete Pier Cap

Element Number	Element Name	Total Qty	CS1 Qty	CS2 Qty	CS3 Qty	CS4 Qty	
233	Prestressed Concrete Pier Cap	29	8	21	0	0	Feet

Element Number	Defect Type	Defect Description	CS	CS Qty	Maint Qty	
233	Patched Area	along both sides and West end, multiple sound patches [up to full height]	2	21		Feet

General Comments

Bent 86 Pile 3

Prestressed Concrete Pile

Element Number	Element Name	Total Qty	CS1 Qty	CS2 Qty	CS3 Qty	CS4 Qty	
226	Prestressed Concrete Pile	1	0	0	1	0	Each

Element Number	Defect Type	Defect Description	CS	CS Qty	Maint Qty	
226	Cracking (PSC)	U/W INSPECTION, MULTIPLE H/L-1/16" CRACKS, MULTIPLE FACES, GENERALLY THESE CRACKS ARE LOST IN THE SCALING AREA. SCALING 1/2-1" DEEP WITH LOOSE AGGREGATE X 360* FROM WATERLINE DOWN 4'.	3	1	4	Each

General Comments

Bent 86 Pile 5

Prestressed Concrete Pile

Element Number	Element Name	Total Qty	CS1 Qty	CS2 Qty	CS3 Qty	CS4 Qty	
226	Prestressed Concrete Pile	1	1	0	0	0	Each

Element Number	Defect Type	Defect Description	CS	CS Qty	Maint Qty	
226	Cracking (PSC)	U/W INSPECTION; MULTIPLE H/L CRACKS, MULTIPLE FACES, W/L DOWN 3', GENERALLY THESE CRACKS ARE LOST IN THE SCALING AREA. SCALING TO 1/2" - 3/4" DEEP WITH LOOSE AGGREGATE X 360*. PILE HAS BEEN JACKETED.	1	1		Each

General Comments

PILE HAS BEEN JACKETED.

Bent 86 Pile 6

Prestressed Concrete Pile

Element Number	Element Name	Total Qty	CS1 Qty	CS2 Qty	CS3 Qty	CS4 Qty
226	Prestressed Concrete Pile	1	1	0	0	0 Each

Element Number	Defect Type	Defect Description	CS	CS Qty	Maint Qty
226	Cracking (PSC)	U/W INSPECTION; MULTIPLE H/L CRACKS, MULTIPLE FACES, W/L DOWN 3'. GENERALLY THESE CRACKS ARE LOST IN THE SCALING AREA. SCALING TO 1/2" - 3/4" DEEP WITH LOOSE AGGREGATE X 360*. PILE HAS BEEN JACKETED.	1	1	Each

General Comments

PILE HAS BEEN JACKETED.

Bent 86 Pile 7

Prestressed Concrete Pile

Element Number	Element Name	Total Qty	CS1 Qty	CS2 Qty	CS3 Qty	CS4 Qty
226	Prestressed Concrete Pile	1	0	0	1	0 Each

Element Number	Defect Type	Defect Description	CS	CS Qty	Maint Qty
226	Cracking (PSC)	U/W INSPECTION, MULTIPLE H/L-1/16" CRACKS, MULTIPLE FACES, GENERALLY THESE CRACKS ARE LOST IN THE SCALING AREA. SCALING 1/2-1" DEEP WITH LOOSE AGGREGATE X 360* FROM WATERLINE DOWN 4'.	3	1	4 Each

General Comments

Bent 86 Pile 2

Prestressed Concrete Pile

Element Number	Element Name	Total Qty	CS1 Qty	CS2 Qty	CS3 Qty	CS4 Qty
226	Prestressed Concrete Pile	1	0	0	1	0 Each

Element Number	Defect Type	Defect Description	CS	CS Qty	Maint Qty
226	Cracking (PSC)	U/W INSPECTION, MULTIPLE H/L-1/16" CRACKS, MULTIPLE FACES, GENERALLY THESE CRACKS ARE LOST IN THE SCALING AREA. SCALING 1/2-1" DEEP WITH LOOSE AGGREGATE X 360* FROM WATERLINE DOWN 4'.	3	1	4 Each

General Comments

Bent 86 Pile 4

Prestressed Concrete Pile

Element Number	Element Name	Total Qty	CS1 Qty	CS2 Qty	CS3 Qty	CS4 Qty
226	Prestressed Concrete Pile	1	0	0	1	0 Each

Element Number	Defect Type	Defect Description	CS	CS Qty	Maint Qty
226	Cracking (PSC)	U/W INSPECTION, MULTIPLE H/L-1/16" CRACKS, MULTIPLE FACES, GENERALLY THESE CRACKS ARE LOST IN THE SCALING AREA. SCALING 1/2-1" DEEP WITH LOOSE AGGREGATE X 360* FROM WATERLINE DOWN 4'.	3	1	4 Each

General Comments

Bent 87 Pile 1**Prestressed Concrete Pile**

Element Number	Element Name	Total Qty	CS1 Qty	CS2 Qty	CS3 Qty	CS4 Qty	
226	Prestressed Concrete Pile	1	0	0	1	0	Each

Element Number	Defect Type	Defect Description	CS	CS Qty	Maint Qty	
226	Cracking (PSC)	U/W INSPECTION, MULTIPLE H/L-1/16" CRACKS, MULTIPLE FACES, GENERALLY THESE CRACKS ARE LOST IN THE SCALING AREA. SCALING 1/2-1" DEEP WITH LOOSE AGGREGATE X 360° FROM WATERLINE DOWN 4'.	3	1	4	Each

General Comments

Bent 87 Cap 1**Reinforced Concrete Pier Cap**

Element Number	Element Name	Total Qty	CS1 Qty	CS2 Qty	CS3 Qty	CS4 Qty	
234	Reinforced Concrete Pier Cap	29	6	23	0	0	Feet

Element Number	Defect Type	Defect Description	CS	CS Qty	Maint Qty	
234	Patched Area	BENT 87 CAP NORTH FACE HAS SCATTERED PATCHED AREAS WITH SOME HAIRLINE CRACKS. PATCHES ARE SOUND.	2	12		Feet
234	Patched Area	BENT 87 CAP SOUTH FACE AND BOTTOM BAY 1. sound patch	2	8		Feet
234	Patched Area	BENT 87 CAP SOUTH FACE BAY 3. sound patch	2	3		Feet

General Comments

Bent 87 Pile 2**Prestressed Concrete Pile**

Element Number	Element Name	Total Qty	CS1 Qty	CS2 Qty	CS3 Qty	CS4 Qty	
226	Prestressed Concrete Pile	1	0	0	1	0	Each

Element Number	Defect Type	Defect Description	CS	CS Qty	Maint Qty	
226	Cracking (PSC)	U/W INSPECTION, MULTIPLE H/L-1/16" CRACKS, MULTIPLE FACES, GENERALLY THESE CRACKS ARE LOST IN THE SCALING AREA. SCALING 1/2-1" DEEP WITH LOOSE AGGREGATE X 360° FROM WATERLINE DOWN 4'.	3	1	4	Each

General Comments

Bent 87 Pile 3**Prestressed Concrete Pile**

Element Number	Element Name	Total Qty	CS1 Qty	CS2 Qty	CS3 Qty	CS4 Qty	
226	Prestressed Concrete Pile	1	0	0	1	0	Each

Element Number	Defect Type	Defect Description	CS	CS Qty	Maint Qty	
226	Cracking (PSC)	U/W INSPECTION, MULTIPLE H/L CRACKS, MULTIPLE FACES, GENERALLY THESE CRACKS ARE LOST IN THE SCALING AREA. SCALING 1/2-1" DEEP WITH LOOSE AGGREGATE X 360° FROM WATERLINE DOWN 4'.	3	1	4	Each

General Comments

Bent 87 Pile 4

Prestressed Concrete Pile

Element Number	Element Name	Total Qty	CS1 Qty	CS2 Qty	CS3 Qty	CS4 Qty
226	Prestressed Concrete Pile	1	0	0	1	0 Each

Element Number	Defect Type	Defect Description	CS	CS Qty	Maint Qty
226	Abrasion/Wear (PSC/RC)	U/W INSPECTION, SCALING 1/2-1" DEEP WITH LOOSE AGGREGATE X 360* FROM WATERLINE DOWN 4'.	3	1	4 Each

General Comments

Bent 87 Pile 5

Prestressed Concrete Pile

Element Number	Element Name	Total Qty	CS1 Qty	CS2 Qty	CS3 Qty	CS4 Qty
226	Prestressed Concrete Pile	1	0	0	1	0 Each

Element Number	Defect Type	Defect Description	CS	CS Qty	Maint Qty
226	Cracking (PSC)	U/W INSPECTION, MULTIPLE H/L-1/16" CRACKS, MULTIPLE FACES, GENERALLY THESE CRACKS ARE LOST IN THE SCALING AREA. SCALING 1/2-1" DEEP WITH LOOSE AGGREGATE X 360* FROM WATERLINE DOWN 4'.	3	1	4 Each

General Comments

Bent 87 Pile 6

Prestressed Concrete Pile

Element Number	Element Name	Total Qty	CS1 Qty	CS2 Qty	CS3 Qty	CS4 Qty
226	Prestressed Concrete Pile	1	1	0	0	0 Each

Element Number	Defect Type	Defect Description	CS	CS Qty	Maint Qty
226	Cracking (PSC)	U/W INSPECTION; PILE HAS JACKET FROM 1' ABOVE WATERLINE DOWN 5'. PILE BELOW JACKET IS IN GOOD CONDITION. 22 FEET OF PILE INSPECTED.	1	1	Each

General Comments

PILE HAS BEEN JACKETED.

Bent 88 Pile 1

Prestressed Concrete Pile

Element Number	Element Name	Total Qty	CS1 Qty	CS2 Qty	CS3 Qty	CS4 Qty
226	Prestressed Concrete Pile	1	1	0	0	0 Each

Element Number	Defect Type	Defect Description	CS	CS Qty	Maint Qty
226	Cracking (PSC)	U/W INSPECTION; MULTIPLE H/L CRACKS, MULTIPLE FACES, W/L DOWN 3'. GENERALLY THESE CRACKS ARE LOST IN THE SCALING AREA. SCALING TO 1/2" - 3/4" DEEP WITH LOOSE AGGREGATE X 360*. PILE HAS BEEN JACKETED.	1	1	Each

General Comments

PILE HAS BEEN JACKETED.

Bent 88 Cap 1**Reinforced Concrete Pier Cap**

Element Number	Element Name	Total Qty	CS1 Qty	CS2 Qty	CS3 Qty	CS4 Qty
234	Reinforced Concrete Pier Cap	29	6	23	0	0 Feet

Element Number	Defect Type	Defect Description	CS	CS Qty	Maint Qty
234	Cracking (RC and Other)	BENT 88 CAP HAS SCATTERED CRACKS.	2	10	Feet
234	Patched Area	BENT 88 CAP EAST END, BOTTOM, NORTH AND SOUTH FACE HAS A sound patch	2	5	Feet
234	Patched Area	BENT 88 CAP SOUTH FACE BAY 1. HAS A sound patch	2	3	Feet
234	Patched Area	BENT 88 CAP TOP AND SOUTH FACE BAY 3. HAS A sound patch	2	5	Feet

General Comments

Bent 88 Pile 2**Prestressed Concrete Pile**

Element Number	Element Name	Total Qty	CS1 Qty	CS2 Qty	CS3 Qty	CS4 Qty
226	Prestressed Concrete Pile	1	1	0	0	0 Each

Element Number	Defect Type	Defect Description	CS	CS Qty	Maint Qty
226	Cracking (PSC)	U/W INSPECTION; MULTIPLE H/L CRACKS, MULTIPLE FACES, W/L DOWN 3', GENERALLY THESE CRACKS ARE LOST IN THE SCALING AREA. SCALING TO 1/2" - 3/4" DEEP WITH LOOSE AGGREGATE X 360*. PILE HAS BEEN JACKETED.	1	1	Each

General Comments

PILE HAS BEEN JACKETED.

Bent 88 Pile 3**Prestressed Concrete Pile**

Element Number	Element Name	Total Qty	CS1 Qty	CS2 Qty	CS3 Qty	CS4 Qty
226	Prestressed Concrete Pile	1	0	0	1	0 Each

Element Number	Defect Type	Defect Description	CS	CS Qty	Maint Qty
226	Cracking (PSC)	U/W INSPECTION, MULTIPLE H/L-1/16" CRACKS, MULTIPLE FACES, GENERALLY THESE CRACKS ARE LOST IN THE SCALING AREA. SCALING 1/2-1" DEEP WITH LOOSE AGGREGATE X 360* FROM WATERLINE DOWN 4'.	3	1	4 Each

General Comments

Bent 88 Pile 4**Prestressed Concrete Pile**

Element Number	Element Name	Total Qty	CS1 Qty	CS2 Qty	CS3 Qty	CS4 Qty
226	Prestressed Concrete Pile	1	1	0	0	0 Each

Element Number	Defect Type	Defect Description	CS	CS Qty	Maint Qty
226	Cracking (PSC)	U/W INSPECTION; MULTIPLE H/L CRACKS, MULTIPLE FACES, W/L DOWN 3', GENERALLY THESE CRACKS ARE LOST IN THE SCALING AREA. SCALING TO 1/2" - 3/4" DEEP WITH LOOSE AGGREGATE X 360*. PILE HAS BEEN JACKETED.	1	1	Each

General Comments

PILE HAS BEEN JACKETED.

Bent 88 Pile 5**Prestressed Concrete Pile**

Element Number	Element Name	Total Qty	CS1 Qty	CS2 Qty	CS3 Qty	CS4 Qty
226	Prestressed Concrete Pile	1	0	0	1	0 Each

Element Number	Defect Type	Defect Description	CS	CS Qty	Maint Qty
226	Abrasion/Wear (PSC/RC)	U/W INSPECTION, SCALING 1/2-1" DEEP WITH LOOSE AGGREGATE X 360° FROM WATERLINE DOWN 4'.	3	1	4 Each

General Comments

Bent 88 Pile 6**Prestressed Concrete Pile**

Element Number	Element Name	Total Qty	CS1 Qty	CS2 Qty	CS3 Qty	CS4 Qty
226	Prestressed Concrete Pile	1	0	0	1	0 Each

Element Number	Defect Type	Defect Description	CS	CS Qty	Maint Qty
226	Cracking (PSC)	U/W INSPECTION, MULTIPLE H/L-1/32" CRACKS, MULTIPLE FACES, GENERALLY THESE CRACKS ARE LOST IN THE SCALING AREA. SCALING 1/2-1" DEEP WITH LOOSE AGGREGATE X 360° FROM WATERLINE DOWN 4'.	3	1	4 Each

General Comments

Bent 89 Pile 1**Prestressed Concrete Pile**

Element Number	Element Name	Total Qty	CS1 Qty	CS2 Qty	CS3 Qty	CS4 Qty
226	Prestressed Concrete Pile	1	0	0	1	0 Each

Element Number	Defect Type	Defect Description	CS	CS Qty	Maint Qty
226	Abrasion/Wear (PSC/RC)	U/W INSPECTION, SCALING AREA. SCALING 1/2-1" DEEP WITH LOOSE AGGREGATE X 360° FROM WATERLINE DOWN 4'.	3	1	4 Each

General Comments

Bent 89 Cap 1**Reinforced Concrete Pier Cap**

Element Number	Element Name	Total Qty	CS1 Qty	CS2 Qty	CS3 Qty	CS4 Qty
234	Reinforced Concrete Pier Cap	29	28	1	0	0 Feet

Element Number	Defect Type	Defect Description	CS	CS Qty	Maint Qty
234	Delamination/Spall	BENT 89 BRACE PILE 1 CAP EAST FACE. HAS A CRACK/SPALL AND DELAMINATED AREA. AREA IS: 10" x 10" x 1" DEEP.	2	1	1 Feet

General Comments

Bent 89 Pile 2

Prestressed Concrete Pile

Element Number	Element Name	Total Qty	CS1 Qty	CS2 Qty	CS3 Qty	CS4 Qty
226	Prestressed Concrete Pile	1	0	0	1	0 Each

Element Number	Defect Type	Defect Description	CS	CS Qty	Maint Qty
226	Abrasion/Wear (PSC/RC)	U/W INSPECTION, SCALING AREA. SCALING 1/2-1" DEEP WITH LOOSE AGGREGATE X 360* FROM WATERLINE DOWN 4'.	3	1	4 Each

General Comments

Bent 89 Pile 6

Prestressed Concrete Pile

Element Number	Element Name	Total Qty	CS1 Qty	CS2 Qty	CS3 Qty	CS4 Qty
226	Prestressed Concrete Pile	1	0	0	1	0 Each

Element Number	Defect Type	Defect Description	CS	CS Qty	Maint Qty
226	Abrasion/Wear (PSC/RC)	U/W INSPECTION, SCALING AREA. SCALING 1/2-1" DEEP WITH LOOSE AGGREGATE X 360* FROM WATERLINE DOWN 4'.	3	1	4 Each

General Comments

Bent 89 Pile 7

Prestressed Concrete Pile

Element Number	Element Name	Total Qty	CS1 Qty	CS2 Qty	CS3 Qty	CS4 Qty
226	Prestressed Concrete Pile	1	0	0	1	0 Each

Element Number	Defect Type	Defect Description	CS	CS Qty	Maint Qty
226	Abrasion/Wear (PSC/RC)	U/W INSPECTION, SCALING AREA. SCALING 1/2-1" DEEP WITH LOOSE AGGREGATE X 360* FROM WATERLINE DOWN 4'.	3	1	4 Each

General Comments

Bent 89 Pile 3

Prestressed Concrete Pile

Element Number	Element Name	Total Qty	CS1 Qty	CS2 Qty	CS3 Qty	CS4 Qty
226	Prestressed Concrete Pile	1	0	0	1	0 Each

Element Number	Defect Type	Defect Description	CS	CS Qty	Maint Qty
226	Abrasion/Wear (PSC/RC)	U/W INSPECTION, SCALING AREA. SCALING 1/2-1" DEEP WITH LOOSE AGGREGATE X 360* FROM WATERLINE DOWN 4'.	3	1	4 Each

General Comments

Bent 89 Pile 4**Prestressed Concrete Pile**

Element Number	Element Name	Total Qty	CS1 Qty	CS2 Qty	CS3 Qty	CS4 Qty
226	Prestressed Concrete Pile	1	0	0	1	0 Each

Element Number	Defect Type	Defect Description	CS	CS Qty	Maint Qty
226	Abrasion/Wear (PSC/RC)	U/W INSPECTION, SCALING AREA. SCALING 1/2-1" DEEP WITH LOOSE AGGREGATE X 360* FROM WATERLINE DOWN 4'.	3	1	4 Each

General Comments

Bent 89 Pile 5**Prestressed Concrete Pile**

Element Number	Element Name	Total Qty	CS1 Qty	CS2 Qty	CS3 Qty	CS4 Qty
226	Prestressed Concrete Pile	1	0	0	1	0 Each

Element Number	Defect Type	Defect Description	CS	CS Qty	Maint Qty
226	Abrasion/Wear (PSC/RC)	U/W INSPECTION, SCALING AREA. SCALING 1/2-1" DEEP WITH LOOSE AGGREGATE X 360* FROM WATERLINE DOWN 4'.	3	1	4 Each

General Comments

Bent 90 Pile 1**Prestressed Concrete Pile**

Element Number	Element Name	Total Qty	CS1 Qty	CS2 Qty	CS3 Qty	CS4 Qty
226	Prestressed Concrete Pile	1	0	0	1	0 Each

Element Number	Defect Type	Defect Description	CS	CS Qty	Maint Qty
226	Abrasion/Wear (PSC/RC)	U/W INSPECTION, SCALING AREA. SCALING 1/2-1" DEEP WITH LOOSE AGGREGATE X 360* FROM WATERLINE DOWN 4'.	3	1	4 Each

General Comments

Bent 90 Cap 1**Reinforced Concrete Pier Cap**

Element Number	Element Name	Total Qty	CS1 Qty	CS2 Qty	CS3 Qty	CS4 Qty
234	Reinforced Concrete Pier Cap	29	4	25	0	0 Feet

Element Number	Defect Type	Defect Description	CS	CS Qty	Maint Qty
234	Cracking (RC and Other)	BENT 90 CAP HAS SCATTERED CRACKS.	2	15	Feet
234	Patched Area	BENT 90 CAP SOUTH FACE HAS [2] two sound patches	2	10	Feet

General Comments

Bent 90 Pile 2
Prestressed Concrete Pile

Element Number	Element Name	Total Qty	CS1 Qty	CS2 Qty	CS3 Qty	CS4 Qty
226	Prestressed Concrete Pile	1	0	0	1	0 Each

Element Number	Defect Type	Defect Description	CS	CS Qty	Maint Qty
226	Cracking (PSC)	U/W INSPECTION, MULTIPLE H/L-1/16" CRACKS, MULTIPLE FACES, GENERALLY THESE CRACKS ARE LOST IN THE SCALING AREA. SCALING 1/2-1" DEEP WITH LOOSE AGGREGATE X 360* FROM WATERLINE DOWN 4'.	3	1	4 Each

General Comments

Bent 90 Pile 3
Prestressed Concrete Pile

Element Number	Element Name	Total Qty	CS1 Qty	CS2 Qty	CS3 Qty	CS4 Qty
226	Prestressed Concrete Pile	1	1	0	0	0 Each

Element Number	Defect Type	Defect Description	CS	CS Qty	Maint Qty
226	Cracking (PSC)	U/W INSPECTION; MULTIPLE H/L CRACKS, MULTIPLE FACES, W/L DOWN 3', GENERALLY THESE CRACKS ARE LOST IN THE SCALING AREA. SCALING TO 1/2" - 3/4" DEEP WITH LOOSE AGGREGATE X 360*. PILE HAS BEEN JACKETED.	1	1	Each

General Comments

PILE HAS BEEN JACKETED.

Bent 90 Pile 4
Prestressed Concrete Pile

Element Number	Element Name	Total Qty	CS1 Qty	CS2 Qty	CS3 Qty	CS4 Qty
226	Prestressed Concrete Pile	1	0	0	1	0 Each

Element Number	Defect Type	Defect Description	CS	CS Qty	Maint Qty
226	Abrasion/Wear (PSC/RC)	U/W INSPECTION, SCALING AREA. SCALING 1/2-1" DEEP WITH LOOSE AGGREGATE X 360* FROM WATERLINE DOWN 4'.	3	1	4 Each

General Comments

Bent 90 Pile 5
Prestressed Concrete Pile

Element Number	Element Name	Total Qty	CS1 Qty	CS2 Qty	CS3 Qty	CS4 Qty
226	Prestressed Concrete Pile	1	0	0	1	0 Each

Element Number	Defect Type	Defect Description	CS	CS Qty	Maint Qty
226	Cracking (PSC)	U/W INSPECTION, MULTIPLE H/L-1/16" CRACKS, MULTIPLE FACES, GENERALLY THESE CRACKS ARE LOST IN THE SCALING AREA. SCALING 1/2-1" DEEP WITH LOOSE AGGREGATE X 360* FROM WATERLINE DOWN 4'.	3	1	4 Each

General Comments

Bent 90 Pile 6**Prestressed Concrete Pile**

Element Number	Element Name	Total Qty	CS1 Qty	CS2 Qty	CS3 Qty	CS4 Qty	
226	Prestressed Concrete Pile	1	1	0	0	0	Each

Element Number	Defect Type	Defect Description	CS	CS Qty	Maint Qty	
226	Cracking (PSC)	U/W INSPECTION; MULTIPLE H/L CRACKS, MULTIPLE FACES, W/L DOWN 3'. GENERALLY THESE CRACKS ARE LOST IN THE SCALING AREA. SCALING TO 1/2" - 3/4" DEEP WITH LOOSE AGGREGATE X 360*. PILE HAS BEEN JACKETED.	1	1		Each

General Comments

PILE HAS BEEN JACKETED.

Bent 91 Pile 1**Prestressed Concrete Pile**

Element Number	Element Name	Total Qty	CS1 Qty	CS2 Qty	CS3 Qty	CS4 Qty	
226	Prestressed Concrete Pile	1	1	0	0	0	Each

Element Number	Defect Type	Defect Description	CS	CS Qty	Maint Qty	
226	Cracking (PSC)	U/W INSPECTION; MULTIPLE H/L CRACKS, MULTIPLE FACES, W/L DOWN 3'. GENERALLY THESE CRACKS ARE LOST IN THE SCALING AREA. SCALING TO 1/2" - 3/4" DEEP WITH LOOSE AGGREGATE X 360*. PILE HAS BEEN JACKETED.	1	1		Each

General Comments

PILE HAS BEEN JACKETED.

Bent 91 Cap 1**Reinforced Concrete Pier Cap**

Element Number	Element Name	Total Qty	CS1 Qty	CS2 Qty	CS3 Qty	CS4 Qty	
234	Reinforced Concrete Pier Cap	29	12	17	0	0	Feet

Element Number	Defect Type	Defect Description	CS	CS Qty	Maint Qty	
234	Cracking (RC and Other)	BENT 91 CAP HAS SCATTERED CRACKS.	2	12		Feet
234	Patched Area	BENT 91 CAP SOUTH FACE BAY 2. sound patch	2	5		Feet

General Comments

Bent 91 Pile 2**Prestressed Concrete Pile**

Element Number	Element Name	Total Qty	CS1 Qty	CS2 Qty	CS3 Qty	CS4 Qty	
226	Prestressed Concrete Pile	1	0	0	1	0	Each

Element Number	Defect Type	Defect Description	CS	CS Qty	Maint Qty	
226	Cracking (PSC)	U/W INSPECTION, MULTIPLE H/L-1/16" CRACKS, MULTIPLE FACES, GENERALLY THESE CRACKS ARE LOST IN THE SCALING AREA. SCALING 1/2-1" DEEP WITH LOOSE AGGREGATE X 360* FROM WATERLINE DOWN 4'.	3	1	4	Each

General Comments

Bent 91 Pile 3**Prestressed Concrete Pile**

Element Number	Element Name	Total Qty	CS1 Qty	CS2 Qty	CS3 Qty	CS4 Qty
226	Prestressed Concrete Pile	1	0	0	1	0 Each

Element Number	Defect Type	Defect Description	CS	CS Qty	Maint Qty
226	Abrasion/Wear (PSC/RC)	U/W INSPECTION, SCALING 1/2-1" DEEP WITH LOOSE AGGREGATE X 360* FROM WATERLINE DOWN 4'.	3	1	4 Each

General Comments

Bent 91 Pile 4**Prestressed Concrete Pile**

Element Number	Element Name	Total Qty	CS1 Qty	CS2 Qty	CS3 Qty	CS4 Qty
226	Prestressed Concrete Pile	1	0	0	1	0 Each

Element Number	Defect Type	Defect Description	CS	CS Qty	Maint Qty
226	Abrasion/Wear (PSC/RC)	U/W INSPECTION, SCALING 1/2-3/4" DEEP WITH LOOSE AGGREGATE X 360* FROM WATERLINE DOWN 4'.	3	1	4 Each

General Comments

Bent 91 Pile 5**Prestressed Concrete Pile**

Element Number	Element Name	Total Qty	CS1 Qty	CS2 Qty	CS3 Qty	CS4 Qty
226	Prestressed Concrete Pile	1	0	0	1	0 Each

Element Number	Defect Type	Defect Description	CS	CS Qty	Maint Qty
226	Abrasion/Wear (PSC/RC)	U/W INSPECTION, SCALING 1/2-1" DEEP WITH LOOSE AGGREGATE X 360* FROM WATERLINE DOWN 4'.	3	1	4 Each

General Comments

Bent 91 Pile 6**Prestressed Concrete Pile**

Element Number	Element Name	Total Qty	CS1 Qty	CS2 Qty	CS3 Qty	CS4 Qty
226	Prestressed Concrete Pile	1	0	0	1	0 Each

Element Number	Defect Type	Defect Description	CS	CS Qty	Maint Qty
226	Abrasion/Wear (PSC/RC)	U/W INSPECTION, SCALING 1/2-1" DEEP WITH LOOSE AGGREGATE X 360* FROM WATERLINE DOWN 4'.	3	1	4 Each

General Comments

Bent 92 Pile 1**Prestressed Concrete Pile**

Element Number	Element Name	Total Qty	CS1 Qty	CS2 Qty	CS3 Qty	CS4 Qty
226	Prestressed Concrete Pile	1	0	0	1	0 Each

Element Number	Defect Type	Defect Description	CS	CS Qty	Maint Qty
----------------	-------------	--------------------	----	--------	-----------

226	Cracking (PSC)	U/W INSPECTION, MULTIPLE H/L-1/16" CRACKS, MULTIPLE FACES, GENERALLY THESE CRACKS ARE LOST IN THE SCALING AREA. SCALING 1/2-1" DEEP WITH LOOSE AGGREGATE X 360° FROM WATERLINE DOWN 4'.	3	1	4	Each
-----	----------------	---	---	---	---	------

General Comments

Bent 92 Cap 1

Reinforced Concrete Pier Cap

Element Number	Element Name	Total Qty	CS1 Qty	CS2 Qty	CS3 Qty	CS4 Qty
234	Reinforced Concrete Pier Cap	29	13	12	4	0 Feet

Element Number	Defect Type	Defect Description	CS	CS Qty	Maint Qty
234	Delamination/Spall	BENT 92 CAP SOUTH FACE BAY 3. HAS A SPALLED AREA WITH REBAR EXPOSED.	3	4	4 Feet
234	Cracking (RC and Other)	BENT 92 CAP HAS SCATTERED CRACKS.	2	12	Feet

General Comments

Bent 92 Pile 2

Prestressed Concrete Pile

Element Number	Element Name	Total Qty	CS1 Qty	CS2 Qty	CS3 Qty	CS4 Qty
226	Prestressed Concrete Pile	1	0	0	1	0 Each

Element Number	Defect Type	Defect Description	CS	CS Qty	Maint Qty
226	Abrasion/Wear (PSC/RC)	U/W INSPECTION, SCALING 1/2-1" DEEP WITH LOOSE AGGREGATE X 360° FROM WATERLINE DOWN 4'.	3	1	4 Each

General Comments

Bent 92 Pile 3

Prestressed Concrete Pile

Element Number	Element Name	Total Qty	CS1 Qty	CS2 Qty	CS3 Qty	CS4 Qty
226	Prestressed Concrete Pile	1	0	0	1	0 Each

Element Number	Defect Type	Defect Description	CS	CS Qty	Maint Qty
226	Cracking (PSC)	U/W INSPECTION, MULTIPLE H/L-1/16" CRACKS, MULTIPLE FACES, GENERALLY THESE CRACKS ARE LOST IN THE SCALING AREA. SCALING 1/2-1" DEEP WITH LOOSE AGGREGATE X 360° FROM WATERLINE DOWN 4'.	3	1	4 Each

General Comments

Bent 92 Pile 4

Prestressed Concrete Pile

Element Number	Element Name	Total Qty	CS1 Qty	CS2 Qty	CS3 Qty	CS4 Qty
226	Prestressed Concrete Pile	1	0	0	1	0 Each

Element Number	Defect Type	Defect Description	CS	CS Qty	Maint Qty
226	Cracking (PSC)	U/W INSPECTION, MULTIPLE H/L-1/16" CRACKS, MULTIPLE FACES, GENERALLY THESE CRACKS ARE LOST IN THE SCALING AREA. SCALING 1/2-1" DEEP WITH LOOSE AGGREGATE X 360° FROM WATERLINE DOWN 4'.	3	1	4 Each

General Comments

Bent 92 Pile 5

Prestressed Concrete Pile

Element Number	Element Name	Total Qty	CS1 Qty	CS2 Qty	CS3 Qty	CS4 Qty	
226	Prestressed Concrete Pile	1	0	0	1	0	Each

Element Number	Defect Type	Defect Description	CS	CS Qty	Maint Qty	
226	Abrasion/Wear (PSC/RC)	U/W INSPECTION, SCALING 1/2-1" DEEP WITH LOOSE AGGREGATE X 360° FROM WATERLINE DOWN 4'.	3	1	4	Each

General Comments

Bent 92 Pile 6

Prestressed Concrete Pile

Element Number	Element Name	Total Qty	CS1 Qty	CS2 Qty	CS3 Qty	CS4 Qty	
226	Prestressed Concrete Pile	1	0	0	1	0	Each

Element Number	Defect Type	Defect Description	CS	CS Qty	Maint Qty	
226	Cracking (PSC)	U/W INSPECTION, MULTIPLE H/L-1/16" CRACKS, MULTIPLE FACES, GENERALLY THESE CRACKS ARE LOST IN THE SCALING AREA. SCALING 1/2-1" DEEP WITH LOOSE AGGREGATE X 360° FROM WATERLINE DOWN 4'.	3	1	4	Each

General Comments

Bent 93 Cap 1

Reinforced Concrete Pier Cap

Element Number	Element Name	Total Qty	CS1 Qty	CS2 Qty	CS3 Qty	CS4 Qty	
234	Reinforced Concrete Pier Cap	29	4	25	0	0	Feet

Element Number	Defect Type	Defect Description	CS	CS Qty	Maint Qty	
234	Patched Area	BENT 93 CAP HAS [2] sound patches	2	10		Feet
234	Patched Area	BENT 93 CAP NORTH FACE HAS SCATTERED PATCHED AREAS WITH SOME HAIRLINE CRACKS. PATCHES ARE SOUND.	2	15		Feet

General Comments

Bent 93 Pile 1

Prestressed Concrete Pile

Element Number	Element Name	Total Qty	CS1 Qty	CS2 Qty	CS3 Qty	CS4 Qty	
226	Prestressed Concrete Pile	1	0	0	1	0	Each

Element Number	Defect Type	Defect Description	CS	CS Qty	Maint Qty	
226	Cracking (PSC)	U/W INSPECTION, MULTIPLE H/L-1/16" CRACKS, MULTIPLE FACES, GENERALLY THESE CRACKS ARE LOST IN THE SCALING AREA. SCALING 1/2-1" DEEP WITH LOOSE AGGREGATE X 360° FROM WATERLINE DOWN 4'.	3	1	4	Each

General Comments

Bent 93 Pile 2**Prestressed Concrete Pile**

Element Number	Element Name	Total Qty	CS1 Qty	CS2 Qty	CS3 Qty	CS4 Qty
226	Prestressed Concrete Pile	1	0	0	1	0 Each

Element Number	Defect Type	Defect Description	CS	CS Qty	Maint Qty
226	Cracking (PSC)	U/W INSPECTION, MULTIPLE H/L-1/32" CRACKS, MULTIPLE FACES, GENERALLY THESE CRACKS ARE LOST IN THE SCALING AREA. SCALING 1/2-1" DEEP WITH LOOSE AGGREGATE X 360° FROM WATERLINE DOWN 4'.	3	1	4 Each

General Comments

Bent 93 Pile 3**Prestressed Concrete Pile**

Element Number	Element Name	Total Qty	CS1 Qty	CS2 Qty	CS3 Qty	CS4 Qty
226	Prestressed Concrete Pile	1	0	0	1	0 Each

Element Number	Defect Type	Defect Description	CS	CS Qty	Maint Qty
226	Cracking (PSC)	U/W INSPECTION, MULTIPLE H/L-1/16" CRACKS, MULTIPLE FACES, GENERALLY THESE CRACKS ARE LOST IN THE SCALING AREA. SCALING 1/2-1" DEEP WITH LOOSE AGGREGATE X 360° FROM WATERLINE DOWN 4'.	3	1	4 Each

General Comments

Bent 93 Pile 4**Prestressed Concrete Pile**

Element Number	Element Name	Total Qty	CS1 Qty	CS2 Qty	CS3 Qty	CS4 Qty
226	Prestressed Concrete Pile	1	0	0	1	0 Each

Element Number	Defect Type	Defect Description	CS	CS Qty	Maint Qty
226	Abrasion/Wear (PSC/RC)	U/W INSPECTION, SCALING 1/2-1" DEEP WITH LOOSE AGGREGATE X 360° FROM WATERLINE DOWN 4'.	3	1	4 Each

General Comments

Bent 93 Pile 5**Prestressed Concrete Pile**

Element Number	Element Name	Total Qty	CS1 Qty	CS2 Qty	CS3 Qty	CS4 Qty
226	Prestressed Concrete Pile	1	0	0	1	0 Each

Element Number	Defect Type	Defect Description	CS	CS Qty	Maint Qty
226	Cracking (PSC)	U/W INSPECTION, MULTIPLE H/L-1/16" CRACKS, MULTIPLE FACES, GENERALLY THESE CRACKS ARE LOST IN THE SCALING AREA. SCALING 1/2-1" DEEP WITH LOOSE AGGREGATE X 360° FROM WATERLINE DOWN 4'.	3	1	4 Each

General Comments

Bent 93 Pile 6**Prestressed Concrete Pile**

Element Number	Element Name	Total Qty	CS1 Qty	CS2 Qty	CS3 Qty	CS4 Qty	
226	Prestressed Concrete Pile	1	1	0	0	0	Each

Element Number	Defect Type	Defect Description	CS	CS Qty	Maint Qty	
226	Cracking (PSC)	U/W INSPECTION; MULTIPLE H/L CRACKS, MULTIPLE FACES, W/L DOWN 3'. GENERALLY THESE CRACKS ARE LOST IN THE SCALING AREA. SCALING TO 1/2" - 3/4" DEEP WITH LOOSE AGGREGATE X 360*. PILE HAS BEEN JACKETED.	1	1		Each

General Comments

PILE HAS BEEN JACKETED.

Bent 93 Pile 7**Prestressed Concrete Pile**

Element Number	Element Name	Total Qty	CS1 Qty	CS2 Qty	CS3 Qty	CS4 Qty	
226	Prestressed Concrete Pile	1	0	0	1	0	Each

Element Number	Defect Type	Defect Description	CS	CS Qty	Maint Qty	
226	Cracking (PSC)	U/W INSPECTION, MULTIPLE H/L-1/16" CRACKS, MULTIPLE FACES, GENERALLY THESE CRACKS ARE LOST IN THE SCALING AREA. SCALING 1/2-1" DEEP WITH LOOSE AGGREGATE X 360* FROM WATERLINE DOWN 4'.	3	1	4	Each

General Comments

Bent 94 Cap 1**Reinforced Concrete Pier Cap**

Element Number	Element Name	Total Qty	CS1 Qty	CS2 Qty	CS3 Qty	CS4 Qty	
234	Reinforced Concrete Pier Cap	29	0	29	0	0	Feet

Element Number	Defect Type	Defect Description	CS	CS Qty	Maint Qty	
234	Cracking (RC and Other)	BENT 94 CAP HAS SCATTERED CRACKS.	2	9		Feet
234	Patched Area	BENT 94 CAP HAS multiple sound patches	2	20		Feet

General Comments

Bent 94 Pile 1**Prestressed Concrete Pile**

Element Number	Element Name	Total Qty	CS1 Qty	CS2 Qty	CS3 Qty	CS4 Qty	
226	Prestressed Concrete Pile	1	1	0	0	0	Each

Element Number	Defect Type	Defect Description	CS	CS Qty	Maint Qty	
226	Cracking (PSC)	U/W INSPECTION; MULTIPLE H/L CRACKS, MULTIPLE FACES, W/L DOWN 3'. GENERALLY THESE CRACKS ARE LOST IN THE SCALING AREA. SCALING TO 1/2" - 3/4" DEEP WITH LOOSE AGGREGATE X 360*. PILE HAS BEEN JACKETED.	1	1		Each

General Comments

PILE HAS BEEN JACKETED.

Bent 94 Pile 2**Prestressed Concrete Pile**

Element Number	Element Name	Total Qty	CS1 Qty	CS2 Qty	CS3 Qty	CS4 Qty
226	Prestressed Concrete Pile	1	0	0	1	0 Each

Element Number	Defect Type	Defect Description	CS	CS Qty	Maint Qty
226	Cracking (PSC)	U/W INSPECTION, MULTIPLE H/L-1/16" CRACKS, MULTIPLE FACES, GENERALLY THESE CRACKS ARE LOST IN THE SCALING AREA. SCALING 1/2-1" DEEP WITH LOOSE AGGREGATE X 360° FROM WATERLINE DOWN 4'.	3	1	4 Each

General Comments

Bent 94 Pile 3**Prestressed Concrete Pile**

Element Number	Element Name	Total Qty	CS1 Qty	CS2 Qty	CS3 Qty	CS4 Qty
226	Prestressed Concrete Pile	1	0	0	1	0 Each

Element Number	Defect Type	Defect Description	CS	CS Qty	Maint Qty
226	Cracking (PSC)	U/W INSPECTION, MULTIPLE H/L-1/32" CRACKS, MULTIPLE FACES, GENERALLY THESE CRACKS ARE LOST IN THE SCALING AREA. SCALING 1/2-1" DEEP WITH LOOSE AGGREGATE X 360° FROM WATERLINE DOWN 4'.	3	1	4 Each

General Comments

Bent 94 Pile 4**Prestressed Concrete Pile**

Element Number	Element Name	Total Qty	CS1 Qty	CS2 Qty	CS3 Qty	CS4 Qty
226	Prestressed Concrete Pile	1	0	0	1	0 Each

Element Number	Defect Type	Defect Description	CS	CS Qty	Maint Qty
226	Abrasion/Wear (PSC/RC)	U/W INSPECTION, SCALING 1/2-1" DEEP WITH LOOSE AGGREGATE X 360° FROM WATERLINE DOWN 4'.	3	1	4 Each

General Comments

Bent 94 Pile 5**Prestressed Concrete Pile**

Element Number	Element Name	Total Qty	CS1 Qty	CS2 Qty	CS3 Qty	CS4 Qty
226	Prestressed Concrete Pile	1	0	0	1	0 Each

Element Number	Defect Type	Defect Description	CS	CS Qty	Maint Qty
226	Cracking (PSC)	U/W INSPECTION, MULTIPLE H/L-1/16" CRACKS, MULTIPLE FACES, GENERALLY THESE CRACKS ARE LOST IN THE SCALING AREA. SCALING 1/2-1" DEEP WITH LOOSE AGGREGATE X 360° FROM WATERLINE DOWN 4'.	3	1	6 Each

General Comments

Bent 94

Pile 6

Prestressed Concrete Pile

Element Number	Element Name	Total Qty	CS1 Qty	CS2 Qty	CS3 Qty	CS4 Qty	
226	Prestressed Concrete Pile	1	0	0	1	0	Each

Element Number	Defect Type	Defect Description	CS	CS Qty	Maint Qty	
226	Cracking (PSC)	U/W INSPECTION, MULTIPLE H/L-1/16" CRACKS, MULTIPLE FACES, GENERALLY THESE CRACKS ARE LOST IN THE SCALING AREA. SCALING 1/2-1" DEEP WITH LOOSE AGGREGATE X 360* FROM WATERLINE DOWN 4'.	3	1	4	Each

General Comments

Element Condition and Maintenance Data

Structure Number: 070007

Inspection Date: 03/03/2022



Element Number	Element Name	Total Qty	CS1 Qty	CS2 Qty	CS3 Qty	CS4 Qty
----------------	--------------	-----------	---------	---------	---------	---------

Element Number	Defect Type	Defect Description	CS	CS Qty	Maint Qty
----------------	-------------	--------------------	----	--------	-----------

General Comments

Elements Verified

Location	Name	Component	Element Name	Amount
Span 1	Deck	Reinforced Concrete Deck	Reinforced Concrete Deck	2046
Span 1	Beam 1	Prestressed Concrete Girder	Prestressed Concrete Open Girder/Beam	60
Span 1	Beam 2	Prestressed Concrete Girder	Prestressed Concrete Open Girder/Beam	60
Span 1	Beam 3	Prestressed Concrete Girder	Prestressed Concrete Open Girder/Beam	60
Span 1	Beam 4	Prestressed Concrete Girder	Prestressed Concrete Open Girder/Beam	60
Span 1	Left Bridge Rail	Concrete and Metal Railing	Other Bridge Railing	61
Span 1	Right Bridge Rail	Concrete and Metal Railing	Other Bridge Railing	61
Span 1	Beam 1 Far Bearing	Fixed Bearing	Fixed Bearing	1
Span 1	Beam 1 Near Bearing	Fixed Bearing	Fixed Bearing	1
Span 1		Fixed Bearing	Fixed Bearing	1
Span 1	Beam 2 Far Bearing	Fixed Bearing	Fixed Bearing	1
Span 1	Beam 2 Near Bearing	Fixed Bearing	Fixed Bearing	1
Span 1	Beam 3 Far Bearing	Fixed Bearing	Fixed Bearing	1
Span 1	Beam 3 Near Bearing	Fixed Bearing	Fixed Bearing	1
Span 1		Fixed Bearing	Fixed Bearing	1
Span 1		Fixed Bearing	Fixed Bearing	1
Span 1	Beam 4 Far Bearing	Fixed Bearing	Fixed Bearing	1
Span 1	Beam 4 Near Bearing	Fixed Bearing	Fixed Bearing	1
Span 2	Deck	Reinforced Concrete Deck	Reinforced Concrete Deck	2023
Span 2	Beam 1	Prestressed Concrete Girder	Prestressed Concrete Open Girder/Beam	60
Span 2	Beam 2	Prestressed Concrete Girder	Prestressed Concrete Open Girder/Beam	60
Span 2	Beam 3	Prestressed Concrete Girder	Prestressed Concrete Open Girder/Beam	60
Span 2	Beam 4	Prestressed Concrete Girder	Prestressed Concrete Open Girder/Beam	60
Span 2	Left Bridge Rail	Concrete and Metal Railing	Other Bridge Railing	60
Span 2	Right Bridge Rail	Concrete and Metal Railing	Other Bridge Railing	60
Span 2	Expansion Joint over Bent 1	Standard Joint	Pourable Joint Seal	34
Span 2	Beam 1 Far Bearing	Fixed Bearing	Fixed Bearing	1
Span 2	Beam 1 Near Bearing	Fixed Bearing	Fixed Bearing	1
Span 2	Beam 2 Far Bearing	Fixed Bearing	Fixed Bearing	1
Span 2	Beam 2 Near Bearing	Fixed Bearing	Fixed Bearing	1
Span 2	Beam 3 Far Bearing	Fixed Bearing	Fixed Bearing	1
Span 2	Beam 3 Near Bearing	Fixed Bearing	Fixed Bearing	1
Span 2	Beam 4 Far Bearing	Fixed Bearing	Fixed Bearing	1
Span 2	Beam 4 Near Bearing	Fixed Bearing	Fixed Bearing	1
Span 3	Deck	Reinforced Concrete Deck	Reinforced Concrete Deck	2023
Span 3	Beam 1	Prestressed Concrete Girder	Prestressed Concrete Open Girder/Beam	60
Span 3	Beam 2	Prestressed Concrete Girder	Prestressed Concrete Open Girder/Beam	60
Span 3	Beam 3	Prestressed Concrete Girder	Prestressed Concrete Open Girder/Beam	60
Span 3	Beam 4	Prestressed Concrete Girder	Prestressed Concrete Open Girder/Beam	60
Span 3	Left Bridge Rail	Concrete and Metal Railing	Other Bridge Railing	60
Span 3	Right Bridge Rail	Concrete and Metal Railing	Other Bridge Railing	60
Span 3	Expansion Joint over Bent 2	Standard Joint	Pourable Joint Seal	34
Span 3	Beam 1 Far Bearing	Fixed Bearing	Fixed Bearing	1
Span 3	Beam 1 Near Bearing	Fixed Bearing	Fixed Bearing	1

Elements Verified

Location	Name	Component	Element Name	Amount
Span 3	Beam 2 Far Bearing	Fixed Bearing	Fixed Bearing	1
Span 3	Beam 2 Near Bearing	Fixed Bearing	Fixed Bearing	1
Span 3	Beam 3 Far Bearing	Fixed Bearing	Fixed Bearing	1
Span 3	Beam 3 Near Bearing	Fixed Bearing	Fixed Bearing	1
Span 3	Beam 4 Far Bearing	Fixed Bearing	Fixed Bearing	1
Span 3	Beam 4 Near Bearing	Fixed Bearing	Fixed Bearing	1
Span 4	Deck	Reinforced Concrete Deck	Reinforced Concrete Deck	2023
Span 4	Beam 1	Prestressed Concrete Girder	Prestressed Concrete Open Girder/Beam	60
Span 4	Beam 2	Prestressed Concrete Girder	Prestressed Concrete Open Girder/Beam	60
Span 4	Beam 3	Prestressed Concrete Girder	Prestressed Concrete Open Girder/Beam	60
Span 4	Beam 4	Prestressed Concrete Girder	Prestressed Concrete Open Girder/Beam	60
Span 4	Left Bridge Rail	Concrete and Metal Railing	Other Bridge Railing	60
Span 4	Right Bridge Rail	Concrete and Metal Railing	Other Bridge Railing	60
Span 4	Expansion Joint over Bent 3	Standard Joint	Pourable Joint Seal	34
Span 4	Beam 1 Far Bearing	Fixed Bearing	Fixed Bearing	1
Span 4	Beam 1 Near Bearing	Fixed Bearing	Fixed Bearing	1
Span 4	Beam 2 Far Bearing	Fixed Bearing	Fixed Bearing	1
Span 4	Beam 2 Near Bearing	Fixed Bearing	Fixed Bearing	1
Span 4	Beam 3 Far Bearing	Fixed Bearing	Fixed Bearing	1
Span 4	Beam 3 Near Bearing	Fixed Bearing	Fixed Bearing	1
Span 4	Beam 4 Far Bearing	Fixed Bearing	Fixed Bearing	1
Span 4	Beam 4 Near Bearing	Fixed Bearing	Fixed Bearing	1
Span 5	Deck	Reinforced Concrete Deck	Reinforced Concrete Deck	2023
Span 5	Beam 1	Prestressed Concrete Girder	Prestressed Concrete Open Girder/Beam	60
Span 5	Beam 2	Prestressed Concrete Girder	Prestressed Concrete Open Girder/Beam	60
Span 5	Beam 3	Prestressed Concrete Girder	Prestressed Concrete Open Girder/Beam	60
Span 5	Beam 4	Prestressed Concrete Girder	Prestressed Concrete Open Girder/Beam	60
Span 5	Left Bridge Rail	Concrete and Metal Railing	Other Bridge Railing	60
Span 5	Right Bridge Rail	Concrete and Metal Railing	Other Bridge Railing	60
Span 5	Expansion Joint over Bent 4	Standard Joint	Pourable Joint Seal	34
Span 5	Beam 1 Far Bearing	Fixed Bearing	Fixed Bearing	1
Span 5	Beam 1 Near Bearing	Fixed Bearing	Fixed Bearing	1
Span 5	Beam 2 Far Bearing	Fixed Bearing	Fixed Bearing	1
Span 5	Beam 2 Near Bearing	Fixed Bearing	Fixed Bearing	1
Span 5	Beam 3 Far Bearing	Fixed Bearing	Fixed Bearing	1
Span 5	Beam 3 Near Bearing	Fixed Bearing	Fixed Bearing	1
Span 5	Beam 4 Far Bearing	Fixed Bearing	Fixed Bearing	1
Span 5	Beam 4 Near Bearing	Fixed Bearing	Fixed Bearing	1
Span 6	Deck	Reinforced Concrete Deck	Reinforced Concrete Deck	2023
Span 6	Beam 1	Prestressed Concrete Girder	Prestressed Concrete Open Girder/Beam	60
Span 6	Beam 2	Prestressed Concrete Girder	Prestressed Concrete Open Girder/Beam	60
Span 6	Beam 3	Prestressed Concrete Girder	Prestressed Concrete Open Girder/Beam	60
Span 6	Beam 4	Prestressed Concrete Girder	Prestressed Concrete Open Girder/Beam	60
Span 6	Left Bridge Rail	Concrete and Metal Railing	Other Bridge Railing	60

Elements Verified

Location	Name	Component	Element Name	Amount
Span 6	Right Bridge Rail	Concrete and Metal Railing	Other Bridge Railing	60
Span 6	Expansion Joint over Bent 5	Standard Joint	Pourable Joint Seal	34
Span 6	Beam 1 Far Bearing	Fixed Bearing	Fixed Bearing	1
Span 6	Beam 1 Near Bearing	Fixed Bearing	Fixed Bearing	1
Span 6	Beam 2 Far Bearing	Fixed Bearing	Fixed Bearing	1
Span 6	Beam 2 Near Bearing	Fixed Bearing	Fixed Bearing	1
Span 6	Beam 3 Far Bearing	Fixed Bearing	Fixed Bearing	1
Span 6	Beam 3 Near Bearing	Fixed Bearing	Fixed Bearing	1
Span 6	Beam 4 Far Bearing	Fixed Bearing	Fixed Bearing	1
Span 6	Beam 4 Near Bearing	Fixed Bearing	Fixed Bearing	1
Span 7	Deck	Reinforced Concrete Deck	Reinforced Concrete Deck	2023
Span 7	Beam 1	Prestressed Concrete Girder	Prestressed Concrete Open Girder/Beam	60
Span 7	Beam 2	Prestressed Concrete Girder	Prestressed Concrete Open Girder/Beam	60
Span 7	Beam 3	Prestressed Concrete Girder	Prestressed Concrete Open Girder/Beam	60
Span 7	Beam 4	Prestressed Concrete Girder	Prestressed Concrete Open Girder/Beam	60
Span 7	Left Bridge Rail	Concrete and Metal Railing	Other Bridge Railing	60
Span 7	Right Bridge Rail	Concrete and Metal Railing	Other Bridge Railing	60
Span 7	Expansion Joint over Bent 6	Standard Joint	Pourable Joint Seal	34
Span 7	Beam 1 Far Bearing	Fixed Bearing	Fixed Bearing	1
Span 7	Beam 1 Near Bearing	Fixed Bearing	Fixed Bearing	1
Span 7	Beam 2 Far Bearing	Fixed Bearing	Fixed Bearing	1
Span 7	Beam 2 Near Bearing	Fixed Bearing	Fixed Bearing	1
Span 7	Beam 3 Far Bearing	Fixed Bearing	Fixed Bearing	1
Span 7	Beam 3 Near Bearing	Fixed Bearing	Fixed Bearing	1
Span 7	Beam 4 Far Bearing	Fixed Bearing	Fixed Bearing	1
Span 7	Beam 4 Near Bearing	Fixed Bearing	Fixed Bearing	1
Span 8	Deck	Reinforced Concrete Deck	Reinforced Concrete Deck	2023
Span 8	Beam 1	Prestressed Concrete Girder	Prestressed Concrete Open Girder/Beam	60
Span 8	Beam 2	Prestressed Concrete Girder	Prestressed Concrete Open Girder/Beam	60
Span 8	Beam 3	Prestressed Concrete Girder	Prestressed Concrete Open Girder/Beam	60
Span 8	Beam 4	Prestressed Concrete Girder	Prestressed Concrete Open Girder/Beam	60
Span 8	Left Bridge Rail	Concrete and Metal Railing	Other Bridge Railing	60
Span 8	Right Bridge Rail	Concrete and Metal Railing	Other Bridge Railing	60
Span 8	Expansion Joint over Bent 7	Standard Joint	Pourable Joint Seal	34
Span 8	Beam 1 Far Bearing	Fixed Bearing	Fixed Bearing	1
Span 8	Beam 1 Near Bearing	Fixed Bearing	Fixed Bearing	1
Span 8	Beam 2 Far Bearing	Fixed Bearing	Fixed Bearing	1
Span 8	Beam 2 Near Bearing	Fixed Bearing	Fixed Bearing	1
Span 8	Beam 3 Far Bearing	Fixed Bearing	Fixed Bearing	1
Span 8	Beam 3 Near Bearing	Fixed Bearing	Fixed Bearing	1
Span 8	Beam 4 Far Bearing	Fixed Bearing	Fixed Bearing	1
Span 8	Beam 4 Near Bearing	Fixed Bearing	Fixed Bearing	1
Span 9	Deck	Reinforced Concrete Deck	Reinforced Concrete Deck	2023
Span 9	Beam 1	Prestressed Concrete Girder	Prestressed Concrete Open Girder/Beam	60

Elements Verified

Location	Name	Component	Element Name	Amount
Span 9	Beam 2	Prestressed Concrete Girder	Prestressed Concrete Open Girder/Beam	60
Span 9	Beam 3	Prestressed Concrete Girder	Prestressed Concrete Open Girder/Beam	60
Span 9	Beam 4	Prestressed Concrete Girder	Prestressed Concrete Open Girder/Beam	60
Span 9	Left Bridge Rail	Concrete and Metal Railing	Other Bridge Railing	60
Span 9	Right Bridge Rail	Concrete and Metal Railing	Other Bridge Railing	60
Span 9	Expansion Joint over Bent 8	Standard Joint	Pourable Joint Seal	34
Span 9	Beam 1 Far Bearing	Fixed Bearing	Fixed Bearing	1
Span 9	Beam 1 Near Bearing	Fixed Bearing	Fixed Bearing	1
Span 9	Beam 2 Far Bearing	Fixed Bearing	Fixed Bearing	1
Span 9	Beam 2 Near Bearing	Fixed Bearing	Fixed Bearing	1
Span 9	Beam 3 Far Bearing	Fixed Bearing	Fixed Bearing	1
Span 9	Beam 3 Near Bearing	Fixed Bearing	Fixed Bearing	1
Span 9	Beam 4 Far Bearing	Fixed Bearing	Fixed Bearing	1
Span 9	Beam 4 Near Bearing	Fixed Bearing	Fixed Bearing	1
Span 10	Deck	Reinforced Concrete Deck	Reinforced Concrete Deck	2023
Span 10	Beam 1	Prestressed Concrete Girder	Prestressed Concrete Open Girder/Beam	60
Span 10	Beam 2	Prestressed Concrete Girder	Prestressed Concrete Open Girder/Beam	60
Span 10	Beam 3	Prestressed Concrete Girder	Prestressed Concrete Open Girder/Beam	60
Span 10	Beam 4	Prestressed Concrete Girder	Prestressed Concrete Open Girder/Beam	60
Span 10	Left Bridge Rail	Concrete and Metal Railing	Other Bridge Railing	60
Span 10	Right Bridge Rail	Concrete and Metal Railing	Other Bridge Railing	60
Span 10	Expansion Joint over Bent 9	Standard Joint	Pourable Joint Seal	34
Span 10	Beam 1 Far Bearing	Fixed Bearing	Fixed Bearing	1
Span 10	Beam 1 Near Bearing	Fixed Bearing	Fixed Bearing	1
Span 10	Beam 2 Far Bearing	Fixed Bearing	Fixed Bearing	1
Span 10	Beam 2 Near Bearing	Fixed Bearing	Fixed Bearing	1
Span 10	Beam 3 Far Bearing	Fixed Bearing	Fixed Bearing	1
Span 10	Beam 3 Near Bearing	Fixed Bearing	Fixed Bearing	1
Span 10	Beam 4 Far Bearing	Fixed Bearing	Fixed Bearing	1
Span 10	Beam 4 Near Bearing	Fixed Bearing	Fixed Bearing	1
Span 11	Deck	Reinforced Concrete Deck	Reinforced Concrete Deck	2023
Span 11	Beam 1	Prestressed Concrete Girder	Prestressed Concrete Open Girder/Beam	60
Span 11	Beam 2	Prestressed Concrete Girder	Prestressed Concrete Open Girder/Beam	60
Span 11	Beam 3	Prestressed Concrete Girder	Prestressed Concrete Open Girder/Beam	60
Span 11	Beam 4	Prestressed Concrete Girder	Prestressed Concrete Open Girder/Beam	60
Span 11	Left Bridge Rail	Concrete and Metal Railing	Other Bridge Railing	60
Span 11	Right Bridge Rail	Concrete and Metal Railing	Other Bridge Railing	60
Span 11	Expansion Joint over Bent 10	Standard Joint	Pourable Joint Seal	34
Span 11	Beam 1 Far Bearing	Fixed Bearing	Fixed Bearing	1
Span 11	Beam 1 Near Bearing	Fixed Bearing	Fixed Bearing	1
Span 11	Beam 2 Far Bearing	Fixed Bearing	Fixed Bearing	1
Span 11	Beam 2 Near Bearing	Fixed Bearing	Fixed Bearing	1
Span 11	Beam 3 Far Bearing	Fixed Bearing	Fixed Bearing	1
Span 11	Beam 3 Near Bearing	Fixed Bearing	Fixed Bearing	1

Elements Verified

Location	Name	Component	Element Name	Amount
Span 11	Beam 4 Far Bearing	Fixed Bearing	Fixed Bearing	1
Span 11	Beam 4 Near Bearing	Fixed Bearing	Fixed Bearing	1
Span 12	Deck	Reinforced Concrete Deck	Reinforced Concrete Deck	2023
Span 12	Beam 1	Prestressed Concrete Girder	Prestressed Concrete Open Girder/Beam	60
Span 12	Beam 2	Prestressed Concrete Girder	Prestressed Concrete Open Girder/Beam	60
Span 12	Beam 3	Prestressed Concrete Girder	Prestressed Concrete Open Girder/Beam	60
Span 12	Beam 4	Prestressed Concrete Girder	Prestressed Concrete Open Girder/Beam	60
Span 12	Left Bridge Rail	Concrete and Metal Railing	Other Bridge Railing	60
Span 12	Right Bridge Rail	Concrete and Metal Railing	Other Bridge Railing	60
Span 12	Expansion Joint over Bent 11	Standard Joint	Pourable Joint Seal	34
Span 12	Beam 1 Far Bearing	Fixed Bearing	Fixed Bearing	1
Span 12	Beam 1 Near Bearing	Fixed Bearing	Fixed Bearing	1
Span 12	Beam 2 Far Bearing	Fixed Bearing	Fixed Bearing	1
Span 12	Beam 2 Near Bearing	Fixed Bearing	Fixed Bearing	1
Span 12	Beam 3 Far Bearing	Fixed Bearing	Fixed Bearing	1
Span 12	Beam 3 Near Bearing	Fixed Bearing	Fixed Bearing	1
Span 12	Beam 4 Far Bearing	Fixed Bearing	Fixed Bearing	1
Span 12	Beam 4 Near Bearing	Fixed Bearing	Fixed Bearing	1
Span 13	Deck	Reinforced Concrete Deck	Reinforced Concrete Deck	2023
Span 13	Beam 1	Prestressed Concrete Girder	Prestressed Concrete Open Girder/Beam	60
Span 13	Beam 2	Prestressed Concrete Girder	Prestressed Concrete Open Girder/Beam	60
Span 13	Beam 3	Prestressed Concrete Girder	Prestressed Concrete Open Girder/Beam	60
Span 13	Beam 4	Prestressed Concrete Girder	Prestressed Concrete Open Girder/Beam	60
Span 13	Left Bridge Rail	Concrete and Metal Railing	Other Bridge Railing	60
Span 13	Right Bridge Rail	Concrete and Metal Railing	Other Bridge Railing	60
Span 13	Expansion Joint over Bent 12	Standard Joint	Pourable Joint Seal	34
Span 13	Beam 1 Far Bearing	Fixed Bearing	Fixed Bearing	1
Span 13	Beam 1 Near Bearing	Fixed Bearing	Fixed Bearing	1
Span 13	Beam 2 Far Bearing	Fixed Bearing	Fixed Bearing	1
Span 13	Beam 2 Near Bearing	Fixed Bearing	Fixed Bearing	1
Span 13	Beam 3 Far Bearing	Fixed Bearing	Fixed Bearing	1
Span 13	Beam 3 Near Bearing	Fixed Bearing	Fixed Bearing	1
Span 13	Beam 4 Far Bearing	Fixed Bearing	Fixed Bearing	1
Span 13	Beam 4 Near Bearing	Fixed Bearing	Fixed Bearing	1
Span 14	Deck	Reinforced Concrete Deck	Reinforced Concrete Deck	2023
Span 14	Beam 1	Prestressed Concrete Girder	Prestressed Concrete Open Girder/Beam	60
Span 14	Beam 2	Prestressed Concrete Girder	Prestressed Concrete Open Girder/Beam	60
Span 14	Beam 3	Prestressed Concrete Girder	Prestressed Concrete Open Girder/Beam	60
Span 14	Beam 4	Prestressed Concrete Girder	Prestressed Concrete Open Girder/Beam	60
Span 14	Left Bridge Rail	Concrete and Metal Railing	Other Bridge Railing	60
Span 14	Right Bridge Rail	Concrete and Metal Railing	Other Bridge Railing	60
Span 14	Expansion Joint over Bent 13	Standard Joint	Pourable Joint Seal	34
Span 14	Beam 1 Far Bearing	Fixed Bearing	Fixed Bearing	1
Span 14	Beam 1 Near Bearing	Fixed Bearing	Fixed Bearing	1

Elements Verified

Location	Name	Component	Element Name	Amount
Span 14	Beam 2 Far Bearing	Fixed Bearing	Fixed Bearing	1
Span 14	Beam 2 Near Bearing	Fixed Bearing	Fixed Bearing	1
Span 14	Beam 3 Far Bearing	Fixed Bearing	Fixed Bearing	1
Span 14	Beam 3 Near Bearing	Fixed Bearing	Fixed Bearing	1
Span 14	Beam 4 Far Bearing	Fixed Bearing	Fixed Bearing	1
Span 14	Beam 4 Near Bearing	Fixed Bearing	Fixed Bearing	1
Span 15	Deck	Reinforced Concrete Deck	Reinforced Concrete Deck	2023
Span 15	Beam 1	Prestressed Concrete Girder	Prestressed Concrete Open Girder/Beam	60
Span 15	Beam 2	Prestressed Concrete Girder	Prestressed Concrete Open Girder/Beam	60
Span 15	Beam 3	Prestressed Concrete Girder	Prestressed Concrete Open Girder/Beam	60
Span 15	Beam 4	Prestressed Concrete Girder	Prestressed Concrete Open Girder/Beam	60
Span 15	Left Bridge Rail	Concrete and Metal Railing	Other Bridge Railing	60
Span 15	Right Bridge Rail	Concrete and Metal Railing	Other Bridge Railing	60
Span 15	Expansion Joint over Bent 14	Standard Joint	Pourable Joint Seal	34
Span 15	Beam 1 Far Bearing	Fixed Bearing	Fixed Bearing	1
Span 15	Beam 1 Near Bearing	Fixed Bearing	Fixed Bearing	1
Span 15	Beam 2 Far Bearing	Fixed Bearing	Fixed Bearing	1
Span 15	Beam 2 Near Bearing	Fixed Bearing	Fixed Bearing	1
Span 15	Beam 3 Far Bearing	Fixed Bearing	Fixed Bearing	1
Span 15	Beam 3 Near Bearing	Fixed Bearing	Fixed Bearing	1
Span 15	Beam 4 Far Bearing	Fixed Bearing	Fixed Bearing	1
Span 15	Beam 4 Near Bearing	Fixed Bearing	Fixed Bearing	1
Span 16	Deck	Reinforced Concrete Deck	Reinforced Concrete Deck	2023
Span 16	Beam 1	Prestressed Concrete Girder	Prestressed Concrete Open Girder/Beam	60
Span 16	Beam 2	Prestressed Concrete Girder	Prestressed Concrete Open Girder/Beam	60
Span 16	Beam 3	Prestressed Concrete Girder	Prestressed Concrete Open Girder/Beam	60
Span 16	Beam 4	Prestressed Concrete Girder	Prestressed Concrete Open Girder/Beam	60
Span 16	Left Bridge Rail	Concrete and Metal Railing	Other Bridge Railing	60
Span 16	Right Bridge Rail	Concrete and Metal Railing	Other Bridge Railing	60
Span 16	Expansion Joint over Bent 15	Standard Joint	Pourable Joint Seal	34
Span 16	Beam 1 Far Bearing	Fixed Bearing	Fixed Bearing	1
Span 16	Beam 1 Near Bearing	Fixed Bearing	Fixed Bearing	1
Span 16	Beam 2 Far Bearing	Fixed Bearing	Fixed Bearing	1
Span 16	Beam 2 Near Bearing	Fixed Bearing	Fixed Bearing	1
Span 16	Beam 3 Far Bearing	Fixed Bearing	Fixed Bearing	1
Span 16	Beam 3 Near Bearing	Fixed Bearing	Fixed Bearing	1
Span 16	Beam 4 Far Bearing	Fixed Bearing	Fixed Bearing	1
Span 16	Beam 4 Near Bearing	Fixed Bearing	Fixed Bearing	1
Span 17	Deck	Reinforced Concrete Deck	Reinforced Concrete Deck	3371
Span 17	Beam 1	Plate Girder	Steel Open Girder/Beam	320
Span 17	Beam 2	Plate Girder	Steel Open Girder/Beam	320
Span 17	Beam 3	Plate Girder	Steel Open Girder/Beam	320
Span 17	Beam 4	Plate Girder	Steel Open Girder/Beam	320
Span 17	Left Bridge Rail	Concrete and Metal Railing	Other Bridge Railing	100

Elements Verified

Location	Name	Component	Element Name	Amount
Span 17	Right Bridge Rail	Concrete and Metal Railing	Other Bridge Railing	100
Span 17	Expansion Joint over Bent 16	Standard Joint	Pourable Joint Seal	34
Span 17	Beam 1 Far Bearing	Other Bearing	Other Bearings	1
Span 17	Beam 1 Intermediate Bearing Bent 18	Other Bearing	Other Bearings	1
Span 17	Beam 1 Intermediate Bearing Bent 19	Other Bearing	Other Bearings	1
Span 17	Beam 1 Near Bearing	Other Bearing	Other Bearings	1
Span 17	Beam 2 Far Bearing	Other Bearing	Other Bearings	1
Span 17	Beam 2 Intermediate Bearing Bent 18	Other Bearing	Other Bearings	1
Span 17	Beam 2 Intermediate Bearing Bent 19	Fixed Bearing	Fixed Bearing	1
Span 17	Beam 2 Near Bearing	Other Bearing	Other Bearings	1
Span 17		Other Bearing	Other Bearings	1
Span 17		Other Bearing	Other Bearings	1
Span 17	Beam 3 Far Bearing	Other Bearing	Other Bearings	1
Span 17	Beam 3 Intermediate Bearing	Fixed Bearing	Fixed Bearing	1
Span 17	Beam 3 Near Bearing	Other Bearing	Other Bearings	1
Span 17	Beam 4 Far Bearing	Other Bearing	Other Bearings	1
Span 17	Beam 4 Intermediate Bearing	Fixed Bearing	Fixed Bearing	1
Span 17	Beam 4 Near Bearing	Other Bearing	Other Bearings	1
Span 17		Other Bearing	Other Bearings	1
Span 18	Deck	Reinforced Concrete Deck	Reinforced Concrete Deck	4045
Span 18	Left Bridge Rail	Concrete and Metal Railing	Other Bridge Railing	120
Span 18	Right Bridge Rail	Concrete and Metal Railing	Other Bridge Railing	120
Span 19	Deck	Reinforced Concrete Deck	Reinforced Concrete Deck	3371
Span 19	Left Bridge Rail	Concrete and Metal Railing	Other Bridge Railing	100
Span 19	Right Bridge Rail	Concrete and Metal Railing	Other Bridge Railing	100
Span 20	Deck	Reinforced Concrete Deck	Reinforced Concrete Deck	2023
Span 20	Beam 1	Prestressed Concrete Girder	Prestressed Concrete Open Girder/Beam	60
Span 20	Beam 2	Prestressed Concrete Girder	Prestressed Concrete Open Girder/Beam	60
Span 20	Beam 3	Prestressed Concrete Girder	Prestressed Concrete Open Girder/Beam	60
Span 20	Beam 4	Prestressed Concrete Girder	Prestressed Concrete Open Girder/Beam	60
Span 20	Left Bridge Rail	Concrete and Metal Railing	Other Bridge Railing	60
Span 20	Right Bridge Rail	Concrete and Metal Railing	Other Bridge Railing	60
Span 20	Expansion Joint over Bent 19	Standard Joint	Pourable Joint Seal	34
Span 20	Beam 1 Far Bearing	Fixed Bearing	Fixed Bearing	1
Span 20	Beam 1 Near Bearing	Fixed Bearing	Fixed Bearing	1
Span 20	Beam 2 Far Bearing	Fixed Bearing	Fixed Bearing	1
Span 20	Beam 2 Near Bearing	Fixed Bearing	Fixed Bearing	1
Span 20	Beam 3 Far Bearing	Fixed Bearing	Fixed Bearing	1
Span 20	Beam 3 Near Bearing	Fixed Bearing	Fixed Bearing	1
Span 20	Beam 4 Far Bearing	Fixed Bearing	Fixed Bearing	1
Span 20	Beam 4 Near Bearing	Fixed Bearing	Fixed Bearing	1
Span 21	Deck	Reinforced Concrete Deck	Reinforced Concrete Deck	2023

Elements Verified

Location	Name	Component	Element Name	Amount
Span 21	Beam 1	Prestressed Concrete Girder	Prestressed Concrete Open Girder/Beam	60
Span 21	Beam 2	Prestressed Concrete Girder	Prestressed Concrete Open Girder/Beam	60
Span 21	Beam 3	Prestressed Concrete Girder	Prestressed Concrete Open Girder/Beam	60
Span 21	Beam 4	Prestressed Concrete Girder	Prestressed Concrete Open Girder/Beam	60
Span 21	Left Bridge Rail	Concrete and Metal Railing	Other Bridge Railing	60
Span 21	Right Bridge Rail	Concrete and Metal Railing	Other Bridge Railing	60
Span 21	Expansion Joint over Bent 20	Standard Joint	Pourable Joint Seal	34
Span 21	Beam 1 Far Bearing	Fixed Bearing	Fixed Bearing	1
Span 21	Beam 1 Near Bearing	Fixed Bearing	Fixed Bearing	1
Span 21	Beam 2 Far Bearing	Fixed Bearing	Fixed Bearing	1
Span 21	Beam 2 Near Bearing	Fixed Bearing	Fixed Bearing	1
Span 21	Beam 3 Far Bearing	Fixed Bearing	Fixed Bearing	1
Span 21	Beam 3 Near Bearing	Fixed Bearing	Fixed Bearing	1
Span 21	Beam 4 Far Bearing	Fixed Bearing	Fixed Bearing	1
Span 21	Beam 4 Near Bearing	Fixed Bearing	Fixed Bearing	1
Span 22	Deck	Reinforced Concrete Deck	Reinforced Concrete Deck	2023
Span 22	Beam 1	Prestressed Concrete Girder	Prestressed Concrete Open Girder/Beam	60
Span 22	Beam 2	Prestressed Concrete Girder	Prestressed Concrete Open Girder/Beam	60
Span 22	Beam 3	Prestressed Concrete Girder	Prestressed Concrete Open Girder/Beam	60
Span 22	Beam 4	Prestressed Concrete Girder	Prestressed Concrete Open Girder/Beam	60
Span 22	Left Bridge Rail	Concrete and Metal Railing	Other Bridge Railing	60
Span 22	Right Bridge Rail	Concrete and Metal Railing	Other Bridge Railing	60
Span 22	Expansion Joint over Bent 21	Standard Joint	Pourable Joint Seal	34
Span 22	Beam 1 Far Bearing	Fixed Bearing	Fixed Bearing	1
Span 22	Beam 1 Near Bearing	Fixed Bearing	Fixed Bearing	1
Span 22	Beam 2 Far Bearing	Fixed Bearing	Fixed Bearing	1
Span 22	Beam 2 Near Bearing	Fixed Bearing	Fixed Bearing	1
Span 22	Beam 3 Far Bearing	Fixed Bearing	Fixed Bearing	1
Span 22	Beam 3 Near Bearing	Fixed Bearing	Fixed Bearing	1
Span 22	Beam 4 Far Bearing	Fixed Bearing	Fixed Bearing	1
Span 22	Beam 4 Near Bearing	Fixed Bearing	Fixed Bearing	1
Span 23	Deck	Reinforced Concrete Deck	Reinforced Concrete Deck	2023
Span 23	Beam 1	Prestressed Concrete Girder	Prestressed Concrete Open Girder/Beam	60
Span 23	Beam 2	Prestressed Concrete Girder	Prestressed Concrete Open Girder/Beam	60
Span 23	Beam 3	Prestressed Concrete Girder	Prestressed Concrete Open Girder/Beam	60
Span 23	Beam 4	Prestressed Concrete Girder	Prestressed Concrete Open Girder/Beam	60
Span 23	Left Bridge Rail	Concrete and Metal Railing	Other Bridge Railing	60
Span 23	Right Bridge Rail	Concrete and Metal Railing	Other Bridge Railing	60
Span 23	Expansion Joint over Bent 22	Standard Joint	Pourable Joint Seal	34
Span 23	Beam 1 Far Bearing	Fixed Bearing	Fixed Bearing	1
Span 23	Beam 1 Near Bearing	Fixed Bearing	Fixed Bearing	1
Span 23	Beam 2 Far Bearing	Fixed Bearing	Fixed Bearing	1
Span 23	Beam 2 Near Bearing	Fixed Bearing	Fixed Bearing	1
Span 23	Beam 3 Far Bearing	Fixed Bearing	Fixed Bearing	1

Elements Verified

Location	Name	Component	Element Name	Amount
Span 23	Beam 3 Near Bearing	Fixed Bearing	Fixed Bearing	1
Span 23	Beam 4 Far Bearing	Fixed Bearing	Fixed Bearing	1
Span 23	Beam 4 Near Bearing	Fixed Bearing	Fixed Bearing	1
Span 24	Deck	Reinforced Concrete Deck	Reinforced Concrete Deck	2023
Span 24	Beam 1	Prestressed Concrete Girder	Prestressed Concrete Open Girder/Beam	60
Span 24	Beam 2	Prestressed Concrete Girder	Prestressed Concrete Open Girder/Beam	60
Span 24	Beam 3	Prestressed Concrete Girder	Prestressed Concrete Open Girder/Beam	60
Span 24	Beam 4	Prestressed Concrete Girder	Prestressed Concrete Open Girder/Beam	60
Span 24	Left Bridge Rail	Concrete and Metal Railing	Other Bridge Railing	60
Span 24	Right Bridge Rail	Concrete and Metal Railing	Other Bridge Railing	60
Span 24	Expansion Joint over Bent 23	Standard Joint	Pourable Joint Seal	34
Span 24	Beam 1 Far Bearing	Fixed Bearing	Fixed Bearing	1
Span 24	Beam 1 Near Bearing	Fixed Bearing	Fixed Bearing	1
Span 24	Beam 2 Far Bearing	Fixed Bearing	Fixed Bearing	1
Span 24	Beam 2 Near Bearing	Fixed Bearing	Fixed Bearing	1
Span 24	Beam 3 Far Bearing	Fixed Bearing	Fixed Bearing	1
Span 24	Beam 3 Near Bearing	Fixed Bearing	Fixed Bearing	1
Span 24	Beam 4 Far Bearing	Fixed Bearing	Fixed Bearing	1
Span 24	Beam 4 Near Bearing	Fixed Bearing	Fixed Bearing	1
Span 25	Deck	Reinforced Concrete Deck	Reinforced Concrete Deck	2023
Span 25	Beam 1	Prestressed Concrete Girder	Prestressed Concrete Open Girder/Beam	60
Span 25	Beam 2	Prestressed Concrete Girder	Prestressed Concrete Open Girder/Beam	60
Span 25	Beam 3	Prestressed Concrete Girder	Prestressed Concrete Open Girder/Beam	60
Span 25	Beam 4	Prestressed Concrete Girder	Prestressed Concrete Open Girder/Beam	60
Span 25	Left Bridge Rail	Concrete and Metal Railing	Other Bridge Railing	60
Span 25	Right Bridge Rail	Concrete and Metal Railing	Other Bridge Railing	60
Span 25	Expansion Joint over Bent 24	Standard Joint	Pourable Joint Seal	34
Span 25	Beam 1 Far Bearing	Fixed Bearing	Fixed Bearing	1
Span 25	Beam 1 Near Bearing	Fixed Bearing	Fixed Bearing	1
Span 25	Beam 2 Far Bearing	Fixed Bearing	Fixed Bearing	1
Span 25	Beam 2 Near Bearing	Fixed Bearing	Fixed Bearing	1
Span 25	Beam 3 Far Bearing	Fixed Bearing	Fixed Bearing	1
Span 25	Beam 3 Near Bearing	Fixed Bearing	Fixed Bearing	1
Span 25	Beam 4 Far Bearing	Fixed Bearing	Fixed Bearing	1
Span 25	Beam 4 Near Bearing	Fixed Bearing	Fixed Bearing	1
Span 26	Deck	Reinforced Concrete Deck	Reinforced Concrete Deck	2023
Span 26	Beam 1	Prestressed Concrete Girder	Prestressed Concrete Open Girder/Beam	60
Span 26	Beam 2	Prestressed Concrete Girder	Prestressed Concrete Open Girder/Beam	60
Span 26	Beam 3	Prestressed Concrete Girder	Prestressed Concrete Open Girder/Beam	60
Span 26	Beam 4	Prestressed Concrete Girder	Prestressed Concrete Open Girder/Beam	60
Span 26	Left Bridge Rail	Concrete and Metal Railing	Other Bridge Railing	60
Span 26	Right Bridge Rail	Concrete and Metal Railing	Other Bridge Railing	60
Span 26	Expansion Joint over Bent 25	Standard Joint	Pourable Joint Seal	34
Span 26	Beam 1 Far Bearing	Fixed Bearing	Fixed Bearing	1

Elements Verified

Location	Name	Component	Element Name	Amount
Span 26	Beam 1 Near Bearing	Fixed Bearing	Fixed Bearing	1
Span 26	Beam 2 Far Bearing	Fixed Bearing	Fixed Bearing	1
Span 26	Beam 2 Near Bearing	Fixed Bearing	Fixed Bearing	1
Span 26	Beam 3 Far Bearing	Fixed Bearing	Fixed Bearing	1
Span 26	Beam 3 Near Bearing	Fixed Bearing	Fixed Bearing	1
Span 26	Beam 4 Far Bearing	Fixed Bearing	Fixed Bearing	1
Span 26	Beam 4 Near Bearing	Fixed Bearing	Fixed Bearing	1
Span 27	Deck	Reinforced Concrete Deck	Reinforced Concrete Deck	2023
Span 27	Beam 1	Prestressed Concrete Girder	Prestressed Concrete Open Girder/Beam	60
Span 27	Beam 2	Prestressed Concrete Girder	Prestressed Concrete Open Girder/Beam	60
Span 27	Beam 3	Prestressed Concrete Girder	Prestressed Concrete Open Girder/Beam	60
Span 27	Beam 4	Prestressed Concrete Girder	Prestressed Concrete Open Girder/Beam	60
Span 27	Left Bridge Rail	Concrete and Metal Railing	Other Bridge Railing	60
Span 27	Right Bridge Rail	Concrete and Metal Railing	Other Bridge Railing	60
Span 27	Expansion Joint over Bent 26	Standard Joint	Pourable Joint Seal	34
Span 27	Beam 1 Far Bearing	Fixed Bearing	Fixed Bearing	1
Span 27	Beam 1 Near Bearing	Fixed Bearing	Fixed Bearing	1
Span 27	Beam 2 Far Bearing	Fixed Bearing	Fixed Bearing	1
Span 27	Beam 2 Near Bearing	Fixed Bearing	Fixed Bearing	1
Span 27	Beam 3 Far Bearing	Fixed Bearing	Fixed Bearing	1
Span 27	Beam 3 Near Bearing	Fixed Bearing	Fixed Bearing	1
Span 27	Beam 4 Far Bearing	Fixed Bearing	Fixed Bearing	1
Span 27	Beam 4 Near Bearing	Fixed Bearing	Fixed Bearing	1
Span 28	Deck	Reinforced Concrete Deck	Reinforced Concrete Deck	2023
Span 28	Beam 1	Prestressed Concrete Girder	Prestressed Concrete Open Girder/Beam	60
Span 28	Beam 2	Prestressed Concrete Girder	Prestressed Concrete Open Girder/Beam	60
Span 28	Beam 3	Prestressed Concrete Girder	Prestressed Concrete Open Girder/Beam	60
Span 28	Beam 4	Prestressed Concrete Girder	Prestressed Concrete Open Girder/Beam	60
Span 28	Left Bridge Rail	Concrete and Metal Railing	Other Bridge Railing	60
Span 28	Right Bridge Rail	Concrete and Metal Railing	Other Bridge Railing	60
Span 28	Expansion Joint over Bent 27	Standard Joint	Pourable Joint Seal	34
Span 28	Beam 1 Far Bearing	Fixed Bearing	Fixed Bearing	1
Span 28	Beam 1 Near Bearing	Fixed Bearing	Fixed Bearing	1
Span 28	Beam 2 Far Bearing	Fixed Bearing	Fixed Bearing	1
Span 28	Beam 2 Near Bearing	Fixed Bearing	Fixed Bearing	1
Span 28	Beam 3 Far Bearing	Fixed Bearing	Fixed Bearing	1
Span 28	Beam 3 Near Bearing	Fixed Bearing	Fixed Bearing	1
Span 28	Beam 4 Far Bearing	Fixed Bearing	Fixed Bearing	1
Span 28	Beam 4 Near Bearing	Fixed Bearing	Fixed Bearing	1
Span 29	Deck	Reinforced Concrete Deck	Reinforced Concrete Deck	2023
Span 29	Beam 1	Prestressed Concrete Girder	Prestressed Concrete Open Girder/Beam	60
Span 29	Beam 2	Prestressed Concrete Girder	Prestressed Concrete Open Girder/Beam	60
Span 29	Beam 3	Prestressed Concrete Girder	Prestressed Concrete Open Girder/Beam	60
Span 29	Beam 4	Prestressed Concrete Girder	Prestressed Concrete Open Girder/Beam	60

Elements Verified

Location	Name	Component	Element Name	Amount
Span 29	Left Bridge Rail	Concrete and Metal Railing	Other Bridge Railing	60
Span 29	Right Bridge Rail	Concrete and Metal Railing	Other Bridge Railing	60
Span 29	Expansion Joint over Bent 28	Standard Joint	Pourable Joint Seal	34
Span 29	Beam 1 Far Bearing	Fixed Bearing	Fixed Bearing	1
Span 29	Beam 1 Near Bearing	Fixed Bearing	Fixed Bearing	1
Span 29	Beam 2 Far Bearing	Fixed Bearing	Fixed Bearing	1
Span 29	Beam 2 Near Bearing	Fixed Bearing	Fixed Bearing	1
Span 29	Beam 3 Far Bearing	Fixed Bearing	Fixed Bearing	1
Span 29	Beam 3 Near Bearing	Fixed Bearing	Fixed Bearing	1
Span 29	Beam 4 Far Bearing	Fixed Bearing	Fixed Bearing	1
Span 29	Beam 4 Near Bearing	Fixed Bearing	Fixed Bearing	1
Span 30	Deck	Reinforced Concrete Deck	Reinforced Concrete Deck	2023
Span 30	Beam 1	Prestressed Concrete Girder	Prestressed Concrete Open Girder/Beam	60
Span 30	Beam 2	Prestressed Concrete Girder	Prestressed Concrete Open Girder/Beam	60
Span 30	Beam 3	Prestressed Concrete Girder	Prestressed Concrete Open Girder/Beam	60
Span 30	Beam 4	Prestressed Concrete Girder	Prestressed Concrete Open Girder/Beam	60
Span 30	Left Bridge Rail	Concrete and Metal Railing	Other Bridge Railing	60
Span 30	Right Bridge Rail	Concrete and Metal Railing	Other Bridge Railing	60
Span 30	Expansion Joint over Bent 29	Standard Joint	Pourable Joint Seal	34
Span 30	Beam 1 Far Bearing	Fixed Bearing	Fixed Bearing	1
Span 30	Beam 1 Near Bearing	Fixed Bearing	Fixed Bearing	1
Span 30	Beam 2 Far Bearing	Fixed Bearing	Fixed Bearing	1
Span 30	Beam 2 Near Bearing	Fixed Bearing	Fixed Bearing	1
Span 30	Beam 3 Far Bearing	Fixed Bearing	Fixed Bearing	1
Span 30	Beam 3 Near Bearing	Fixed Bearing	Fixed Bearing	1
Span 30	Beam 4 Far Bearing	Fixed Bearing	Fixed Bearing	1
Span 30	Beam 4 Near Bearing	Fixed Bearing	Fixed Bearing	1
Span 31	Deck	Reinforced Concrete Deck	Reinforced Concrete Deck	2023
Span 31	Beam 1	Prestressed Concrete Girder	Prestressed Concrete Open Girder/Beam	60
Span 31	Beam 2	Prestressed Concrete Girder	Prestressed Concrete Open Girder/Beam	60
Span 31	Beam 3	Prestressed Concrete Girder	Prestressed Concrete Open Girder/Beam	60
Span 31	Beam 4	Prestressed Concrete Girder	Prestressed Concrete Open Girder/Beam	60
Span 31	Left Bridge Rail	Concrete and Metal Railing	Other Bridge Railing	60
Span 31	Right Bridge Rail	Concrete and Metal Railing	Other Bridge Railing	60
Span 31	Expansion Joint over Bent 30	Standard Joint	Pourable Joint Seal	34
Span 31	Beam 1 Far Bearing	Fixed Bearing	Fixed Bearing	1
Span 31	Beam 1 Near Bearing	Fixed Bearing	Fixed Bearing	1
Span 31	Beam 2 Far Bearing	Fixed Bearing	Fixed Bearing	1
Span 31	Beam 2 Near Bearing	Fixed Bearing	Fixed Bearing	1
Span 31	Beam 3 Far Bearing	Fixed Bearing	Fixed Bearing	1
Span 31	Beam 3 Near Bearing	Fixed Bearing	Fixed Bearing	1
Span 31	Beam 4 Far Bearing	Fixed Bearing	Fixed Bearing	1
Span 31	Beam 4 Near Bearing	Fixed Bearing	Fixed Bearing	1
Span 32	Deck	Reinforced Concrete Deck	Reinforced Concrete Deck	2023

Elements Verified

Location	Name	Component	Element Name	Amount
Span 32	Beam 1	Prestressed Concrete Girder	Prestressed Concrete Open Girder/Beam	60
Span 32	Beam 2	Prestressed Concrete Girder	Prestressed Concrete Open Girder/Beam	60
Span 32	Beam 3	Prestressed Concrete Girder	Prestressed Concrete Open Girder/Beam	60
Span 32	Beam 4	Prestressed Concrete Girder	Prestressed Concrete Open Girder/Beam	60
Span 32	Left Bridge Rail	Concrete and Metal Railing	Other Bridge Railing	60
Span 32	Right Bridge Rail	Concrete and Metal Railing	Other Bridge Railing	60
Span 32	Expansion Joint over Bent 31	Standard Joint	Pourable Joint Seal	34
Span 32	Beam 1 Far Bearing	Fixed Bearing	Fixed Bearing	1
Span 32	Beam 1 Near Bearing	Fixed Bearing	Fixed Bearing	1
Span 32	Beam 2 Far Bearing	Fixed Bearing	Fixed Bearing	1
Span 32	Beam 2 Near Bearing	Fixed Bearing	Fixed Bearing	1
Span 32	Beam 3 Far Bearing	Fixed Bearing	Fixed Bearing	1
Span 32	Beam 3 Near Bearing	Fixed Bearing	Fixed Bearing	1
Span 32	Beam 4 Far Bearing	Fixed Bearing	Fixed Bearing	1
Span 32	Beam 4 Near Bearing	Fixed Bearing	Fixed Bearing	1
Span 33	Deck	Reinforced Concrete Deck	Reinforced Concrete Deck	2023
Span 33	Beam 1	Prestressed Concrete Girder	Prestressed Concrete Open Girder/Beam	60
Span 33	Beam 2	Prestressed Concrete Girder	Prestressed Concrete Open Girder/Beam	60
Span 33	Beam 3	Prestressed Concrete Girder	Prestressed Concrete Open Girder/Beam	60
Span 33	Beam 4	Prestressed Concrete Girder	Prestressed Concrete Open Girder/Beam	60
Span 33	Left Bridge Rail	Concrete and Metal Railing	Other Bridge Railing	60
Span 33	Right Bridge Rail	Concrete and Metal Railing	Other Bridge Railing	60
Span 33	Expansion Joint over Bent 32	Standard Joint	Pourable Joint Seal	34
Span 33	Beam 1 Far Bearing	Fixed Bearing	Fixed Bearing	1
Span 33	Beam 1 Near Bearing	Fixed Bearing	Fixed Bearing	1
Span 33	Beam 2 Far Bearing	Fixed Bearing	Fixed Bearing	1
Span 33	Beam 2 Near Bearing	Fixed Bearing	Fixed Bearing	1
Span 33	Beam 3 Far Bearing	Fixed Bearing	Fixed Bearing	1
Span 33	Beam 3 Near Bearing	Fixed Bearing	Fixed Bearing	1
Span 33	Beam 4 Far Bearing	Fixed Bearing	Fixed Bearing	1
Span 33	Beam 4 Near Bearing	Fixed Bearing	Fixed Bearing	1
Span 34	Deck	Reinforced Concrete Deck	Reinforced Concrete Deck	2023
Span 34	Beam 1	Prestressed Concrete Girder	Prestressed Concrete Open Girder/Beam	60
Span 34	Beam 2	Prestressed Concrete Girder	Prestressed Concrete Open Girder/Beam	60
Span 34	Beam 3	Prestressed Concrete Girder	Prestressed Concrete Open Girder/Beam	60
Span 34	Beam 4	Prestressed Concrete Girder	Prestressed Concrete Open Girder/Beam	60
Span 34	Left Bridge Rail	Concrete and Metal Railing	Other Bridge Railing	60
Span 34	Right Bridge Rail	Concrete and Metal Railing	Other Bridge Railing	60
Span 34	Expansion Joint over Bent 33	Standard Joint	Pourable Joint Seal	34
Span 34	Beam 1 Far Bearing	Fixed Bearing	Fixed Bearing	1
Span 34	Beam 1 Near Bearing	Fixed Bearing	Fixed Bearing	1
Span 34	Beam 2 Far Bearing	Fixed Bearing	Fixed Bearing	1
Span 34	Beam 2 Near Bearing	Fixed Bearing	Fixed Bearing	1
Span 34	Beam 3 Far Bearing	Fixed Bearing	Fixed Bearing	1

Elements Verified

Location	Name	Component	Element Name	Amount
Span 34	Beam 3 Near Bearing	Fixed Bearing	Fixed Bearing	1
Span 34	Beam 4 Far Bearing	Fixed Bearing	Fixed Bearing	1
Span 34	Beam 4 Near Bearing	Fixed Bearing	Fixed Bearing	1
Span 35	Deck	Reinforced Concrete Deck	Reinforced Concrete Deck	2023
Span 35	Beam 1	Prestressed Concrete Girder	Prestressed Concrete Open Girder/Beam	60
Span 35	Beam 2	Prestressed Concrete Girder	Prestressed Concrete Open Girder/Beam	60
Span 35	Beam 3	Prestressed Concrete Girder	Prestressed Concrete Open Girder/Beam	60
Span 35	Beam 4	Prestressed Concrete Girder	Prestressed Concrete Open Girder/Beam	60
Span 35	Left Bridge Rail	Concrete and Metal Railing	Other Bridge Railing	60
Span 35	Right Bridge Rail	Concrete and Metal Railing	Other Bridge Railing	60
Span 35	Expansion Joint over Bent 34	Standard Joint	Pourable Joint Seal	34
Span 35	Beam 1 Far Bearing	Fixed Bearing	Fixed Bearing	1
Span 35	Beam 1 Near Bearing	Fixed Bearing	Fixed Bearing	1
Span 35	Beam 2 Far Bearing	Fixed Bearing	Fixed Bearing	1
Span 35	Beam 2 Near Bearing	Fixed Bearing	Fixed Bearing	1
Span 35	Beam 3 Far Bearing	Fixed Bearing	Fixed Bearing	1
Span 35	Beam 3 Near Bearing	Fixed Bearing	Fixed Bearing	1
Span 35	Beam 4 Far Bearing	Fixed Bearing	Fixed Bearing	1
Span 35	Beam 4 Near Bearing	Fixed Bearing	Fixed Bearing	1
Span 36	Deck	Reinforced Concrete Deck	Reinforced Concrete Deck	2023
Span 36	Beam 1	Prestressed Concrete Girder	Prestressed Concrete Open Girder/Beam	60
Span 36	Beam 2	Prestressed Concrete Girder	Prestressed Concrete Open Girder/Beam	60
Span 36	Beam 3	Prestressed Concrete Girder	Prestressed Concrete Open Girder/Beam	60
Span 36	Beam 4	Prestressed Concrete Girder	Prestressed Concrete Open Girder/Beam	60
Span 36	Left Bridge Rail	Concrete and Metal Railing	Other Bridge Railing	60
Span 36	Right Bridge Rail	Concrete and Metal Railing	Other Bridge Railing	60
Span 36	Expansion Joint over Bent 35	Standard Joint	Pourable Joint Seal	34
Span 36	Beam 1 Far Bearing	Fixed Bearing	Fixed Bearing	1
Span 36	Beam 1 Near Bearing	Fixed Bearing	Fixed Bearing	1
Span 36	Beam 2 Far Bearing	Fixed Bearing	Fixed Bearing	1
Span 36	Beam 2 Near Bearing	Fixed Bearing	Fixed Bearing	1
Span 36	Beam 3 Far Bearing	Fixed Bearing	Fixed Bearing	1
Span 36	Beam 3 Near Bearing	Fixed Bearing	Fixed Bearing	1
Span 36	Beam 4 Far Bearing	Fixed Bearing	Fixed Bearing	1
Span 36	Beam 4 Near Bearing	Fixed Bearing	Fixed Bearing	1
Span 37	Deck	Reinforced Concrete Deck	Reinforced Concrete Deck	2023
Span 37	Beam 1	Prestressed Concrete Girder	Prestressed Concrete Open Girder/Beam	60
Span 37	Beam 2	Prestressed Concrete Girder	Prestressed Concrete Open Girder/Beam	60
Span 37	Beam 3	Prestressed Concrete Girder	Prestressed Concrete Open Girder/Beam	60
Span 37	Beam 4	Prestressed Concrete Girder	Prestressed Concrete Open Girder/Beam	60
Span 37	Left Bridge Rail	Concrete and Metal Railing	Other Bridge Railing	60
Span 37	Right Bridge Rail	Concrete and Metal Railing	Other Bridge Railing	60
Span 37	Expansion Joint over Bent 36	Standard Joint	Pourable Joint Seal	34
Span 37	Beam 1 Far Bearing	Fixed Bearing	Fixed Bearing	1

Elements Verified

Location	Name	Component	Element Name	Amount
Span 37	Beam 1 Near Bearing	Fixed Bearing	Fixed Bearing	1
Span 37	Beam 2 Far Bearing	Fixed Bearing	Fixed Bearing	1
Span 37	Beam 2 Near Bearing	Fixed Bearing	Fixed Bearing	1
Span 37	Beam 3 Far Bearing	Fixed Bearing	Fixed Bearing	1
Span 37	Beam 3 Near Bearing	Fixed Bearing	Fixed Bearing	1
Span 37	Beam 4 Far Bearing	Fixed Bearing	Fixed Bearing	1
Span 37	Beam 4 Near Bearing	Fixed Bearing	Fixed Bearing	1
Span 38	Deck	Reinforced Concrete Deck	Reinforced Concrete Deck	2023
Span 38	Beam 1	Prestressed Concrete Girder	Prestressed Concrete Open Girder/Beam	60
Span 38	Beam 2	Prestressed Concrete Girder	Prestressed Concrete Open Girder/Beam	60
Span 38	Beam 3	Prestressed Concrete Girder	Prestressed Concrete Open Girder/Beam	60
Span 38	Beam 4	Prestressed Concrete Girder	Prestressed Concrete Open Girder/Beam	60
Span 38	Left Bridge Rail	Concrete and Metal Railing	Other Bridge Railing	60
Span 38	Right Bridge Rail	Concrete and Metal Railing	Other Bridge Railing	60
Span 38	Expansion Joint over Bent 37	Standard Joint	Pourable Joint Seal	34
Span 38	Beam 1 Far Bearing	Fixed Bearing	Fixed Bearing	1
Span 38	Beam 1 Near Bearing	Fixed Bearing	Fixed Bearing	1
Span 38	Beam 2 Far Bearing	Fixed Bearing	Fixed Bearing	1
Span 38	Beam 2 Near Bearing	Fixed Bearing	Fixed Bearing	1
Span 38	Beam 3 Far Bearing	Fixed Bearing	Fixed Bearing	1
Span 38	Beam 3 Near Bearing	Fixed Bearing	Fixed Bearing	1
Span 38	Beam 4 Far Bearing	Fixed Bearing	Fixed Bearing	1
Span 38	Beam 4 Near Bearing	Fixed Bearing	Fixed Bearing	1
Span 39	Deck	Reinforced Concrete Deck	Reinforced Concrete Deck	2023
Span 39	Beam 1	Prestressed Concrete Girder	Prestressed Concrete Open Girder/Beam	60
Span 39	Beam 2	Prestressed Concrete Girder	Prestressed Concrete Open Girder/Beam	60
Span 39	Beam 3	Prestressed Concrete Girder	Prestressed Concrete Open Girder/Beam	60
Span 39	Beam 4	Prestressed Concrete Girder	Prestressed Concrete Open Girder/Beam	60
Span 39	Left Bridge Rail	Concrete and Metal Railing	Other Bridge Railing	60
Span 39	Right Bridge Rail	Concrete and Metal Railing	Other Bridge Railing	60
Span 39	Expansion Joint over Bent 38	Standard Joint	Pourable Joint Seal	34
Span 39	Beam 1 Far Bearing	Fixed Bearing	Fixed Bearing	1
Span 39	Beam 1 Near Bearing	Fixed Bearing	Fixed Bearing	1
Span 39	Beam 2 Far Bearing	Fixed Bearing	Fixed Bearing	1
Span 39	Beam 2 Near Bearing	Fixed Bearing	Fixed Bearing	1
Span 39	Beam 3 Far Bearing	Fixed Bearing	Fixed Bearing	1
Span 39	Beam 3 Near Bearing	Fixed Bearing	Fixed Bearing	1
Span 39	Beam 4 Far Bearing	Fixed Bearing	Fixed Bearing	1
Span 39	Beam 4 Near Bearing	Fixed Bearing	Fixed Bearing	1
Span 40	Deck	Reinforced Concrete Deck	Reinforced Concrete Deck	2023
Span 40	Beam 1	Prestressed Concrete Girder	Prestressed Concrete Open Girder/Beam	60
Span 40	Beam 2	Prestressed Concrete Girder	Prestressed Concrete Open Girder/Beam	60
Span 40	Beam 3	Prestressed Concrete Girder	Prestressed Concrete Open Girder/Beam	60
Span 40	Beam 4	Prestressed Concrete Girder	Prestressed Concrete Open Girder/Beam	60

Elements Verified

Location	Name	Component	Element Name	Amount
Span 40	Left Bridge Rail	Concrete and Metal Railing	Other Bridge Railing	60
Span 40	Right Bridge Rail	Concrete and Metal Railing	Other Bridge Railing	60
Span 40	Expansion Joint over Bent 39	Standard Joint	Pourable Joint Seal	34
Span 40	Beam 1 Far Bearing	Fixed Bearing	Fixed Bearing	1
Span 40	Beam 1 Near Bearing	Fixed Bearing	Fixed Bearing	1
Span 40	Beam 2 Far Bearing	Fixed Bearing	Fixed Bearing	1
Span 40	Beam 2 Near Bearing	Fixed Bearing	Fixed Bearing	1
Span 40	Beam 3 Far Bearing	Fixed Bearing	Fixed Bearing	1
Span 40	Beam 3 Near Bearing	Fixed Bearing	Fixed Bearing	1
Span 40	Beam 4 Far Bearing	Fixed Bearing	Fixed Bearing	1
Span 40	Beam 4 Near Bearing	Fixed Bearing	Fixed Bearing	1
Span 41	Deck	Reinforced Concrete Deck	Reinforced Concrete Deck	2023
Span 41	Beam 1	Prestressed Concrete Girder	Prestressed Concrete Open Girder/Beam	60
Span 41	Beam 2	Prestressed Concrete Girder	Prestressed Concrete Open Girder/Beam	60
Span 41	Beam 3	Prestressed Concrete Girder	Prestressed Concrete Open Girder/Beam	60
Span 41	Beam 4	Prestressed Concrete Girder	Prestressed Concrete Open Girder/Beam	60
Span 41	Left Bridge Rail	Concrete and Metal Railing	Other Bridge Railing	60
Span 41	Right Bridge Rail	Concrete and Metal Railing	Other Bridge Railing	60
Span 41	Expansion Joint over Bent 40	Standard Joint	Pourable Joint Seal	34
Span 41	Beam 1 Far Bearing	Fixed Bearing	Fixed Bearing	1
Span 41	Beam 1 Near Bearing	Fixed Bearing	Fixed Bearing	1
Span 41	Beam 2 Far Bearing	Fixed Bearing	Fixed Bearing	1
Span 41	Beam 2 Near Bearing	Fixed Bearing	Fixed Bearing	1
Span 41	Beam 3 Far Bearing	Fixed Bearing	Fixed Bearing	1
Span 41	Beam 3 Near Bearing	Fixed Bearing	Fixed Bearing	1
Span 41	Beam 4 Far Bearing	Fixed Bearing	Fixed Bearing	1
Span 41	Beam 4 Near Bearing	Fixed Bearing	Fixed Bearing	1
Span 42	Deck	Reinforced Concrete Deck	Reinforced Concrete Deck	2022
Span 42	Beam 1	Prestressed Concrete Girder	Prestressed Concrete Open Girder/Beam	60
Span 42	Beam 2	Prestressed Concrete Girder	Prestressed Concrete Open Girder/Beam	60
Span 42	Beam 3	Prestressed Concrete Girder	Prestressed Concrete Open Girder/Beam	60
Span 42	Beam 4	Prestressed Concrete Girder	Prestressed Concrete Open Girder/Beam	60
Span 42	Left Bridge Rail	Concrete and Metal Railing	Other Bridge Railing	60
Span 42	Right Bridge Rail	Concrete and Metal Railing	Other Bridge Railing	60
Span 42	Expansion Joint over Bent 41	Standard Joint	Pourable Joint Seal	34
Span 42	Beam 1 Far Bearing	Fixed Bearing	Fixed Bearing	1
Span 42	Beam 1 Near Bearing	Fixed Bearing	Fixed Bearing	1
Span 42	Beam 2 Far Bearing	Fixed Bearing	Fixed Bearing	1
Span 42	Beam 2 Near Bearing	Fixed Bearing	Fixed Bearing	1
Span 42	Beam 3 Far Bearing	Fixed Bearing	Fixed Bearing	1
Span 42	Beam 3 Near Bearing	Fixed Bearing	Fixed Bearing	1
Span 42	Beam 4 Far Bearing	Fixed Bearing	Fixed Bearing	1
Span 42	Beam 4 Near Bearing	Fixed Bearing	Fixed Bearing	1
Span 43	Deck	Reinforced Concrete Deck	Reinforced Concrete Deck	2022

Elements Verified

Location	Name	Component	Element Name	Amount
Span 43	Beam 1	Prestressed Concrete Girder	Prestressed Concrete Open Girder/Beam	60
Span 43	Beam 2	Prestressed Concrete Girder	Prestressed Concrete Open Girder/Beam	60
Span 43	Beam 3	Prestressed Concrete Girder	Prestressed Concrete Open Girder/Beam	60
Span 43	Beam 4	Prestressed Concrete Girder	Prestressed Concrete Open Girder/Beam	60
Span 43	Left Bridge Rail	Concrete and Metal Railing	Other Bridge Railing	60
Span 43	Right Bridge Rail	Concrete and Metal Railing	Other Bridge Railing	60
Span 43	Expansion Joint over Bent 42	Standard Joint	Pourable Joint Seal	34
Span 43	Beam 1 Far Bearing	Fixed Bearing	Fixed Bearing	1
Span 43	Beam 1 Near Bearing	Fixed Bearing	Fixed Bearing	1
Span 43	Beam 2 Far Bearing	Fixed Bearing	Fixed Bearing	1
Span 43	Beam 2 Near Bearing	Fixed Bearing	Fixed Bearing	1
Span 43	Beam 3 Far Bearing	Fixed Bearing	Fixed Bearing	1
Span 43	Beam 3 Near Bearing	Fixed Bearing	Fixed Bearing	1
Span 43	Beam 4 Far Bearing	Fixed Bearing	Fixed Bearing	1
Span 43	Beam 4 Near Bearing	Fixed Bearing	Fixed Bearing	1
Span 44	Deck	Reinforced Concrete Deck	Reinforced Concrete Deck	2022
Span 44	Beam 1	Prestressed Concrete Girder	Prestressed Concrete Open Girder/Beam	60
Span 44	Beam 2	Prestressed Concrete Girder	Prestressed Concrete Open Girder/Beam	60
Span 44	Beam 3	Prestressed Concrete Girder	Prestressed Concrete Open Girder/Beam	60
Span 44	Beam 4	Prestressed Concrete Girder	Prestressed Concrete Open Girder/Beam	60
Span 44	Left Bridge Rail	Concrete and Metal Railing	Other Bridge Railing	60
Span 44	Right Bridge Rail	Concrete and Metal Railing	Other Bridge Railing	60
Span 44	Expansion Joint over Bent 43	Standard Joint	Pourable Joint Seal	34
Span 44	Beam 1 Far Bearing	Fixed Bearing	Fixed Bearing	1
Span 44	Beam 1 Near Bearing	Fixed Bearing	Fixed Bearing	1
Span 44	Beam 2 Far Bearing	Fixed Bearing	Fixed Bearing	1
Span 44	Beam 2 Near Bearing	Fixed Bearing	Fixed Bearing	1
Span 44	Beam 3 Far Bearing	Fixed Bearing	Fixed Bearing	1
Span 44	Beam 3 Near Bearing	Fixed Bearing	Fixed Bearing	1
Span 44	Beam 4 Far Bearing	Fixed Bearing	Fixed Bearing	1
Span 44	Beam 4 Near Bearing	Fixed Bearing	Fixed Bearing	1
Span 45	Deck	Reinforced Concrete Deck	Reinforced Concrete Deck	2022
Span 45	Beam 1	Prestressed Concrete Girder	Prestressed Concrete Open Girder/Beam	60
Span 45	Beam 2	Prestressed Concrete Girder	Prestressed Concrete Open Girder/Beam	60
Span 45	Beam 3	Prestressed Concrete Girder	Prestressed Concrete Open Girder/Beam	60
Span 45	Beam 4	Prestressed Concrete Girder	Prestressed Concrete Open Girder/Beam	60
Span 45	Left Bridge Rail	Concrete and Metal Railing	Other Bridge Railing	60
Span 45	Right Bridge Rail	Concrete and Metal Railing	Other Bridge Railing	60
Span 45	Expansion Joint over Bent 44	Standard Joint	Pourable Joint Seal	34
Span 45	Beam 1 Far Bearing	Fixed Bearing	Fixed Bearing	1
Span 45	Beam 1 Near Bearing	Fixed Bearing	Fixed Bearing	1
Span 45	Beam 2 Far Bearing	Fixed Bearing	Fixed Bearing	1
Span 45	Beam 2 Near Bearing	Fixed Bearing	Fixed Bearing	1
Span 45	Beam 3 Far Bearing	Fixed Bearing	Fixed Bearing	1

Elements Verified

Location	Name	Component	Element Name	Amount
Span 45	Beam 3 Near Bearing	Fixed Bearing	Fixed Bearing	1
Span 45	Beam 4 Far Bearing	Fixed Bearing	Fixed Bearing	1
Span 45	Beam 4 Near Bearing	Fixed Bearing	Fixed Bearing	1
Span 46	Deck	Reinforced Concrete Deck	Reinforced Concrete Deck	2022
Span 46	Beam 1	Prestressed Concrete Girder	Prestressed Concrete Open Girder/Beam	60
Span 46	Beam 2	Prestressed Concrete Girder	Prestressed Concrete Open Girder/Beam	60
Span 46	Beam 3	Prestressed Concrete Girder	Prestressed Concrete Open Girder/Beam	60
Span 46	Beam 4	Prestressed Concrete Girder	Prestressed Concrete Open Girder/Beam	60
Span 46	Left Bridge Rail	Concrete and Metal Railing	Other Bridge Railing	60
Span 46	Right Bridge Rail	Concrete and Metal Railing	Other Bridge Railing	60
Span 46	Expansion Joint over Bent 45	Standard Joint	Pourable Joint Seal	34
Span 46	Beam 1 Far Bearing	Fixed Bearing	Fixed Bearing	1
Span 46	Beam 1 Near Bearing	Fixed Bearing	Fixed Bearing	1
Span 46	Beam 2 Far Bearing	Fixed Bearing	Fixed Bearing	1
Span 46	Beam 2 Near Bearing	Fixed Bearing	Fixed Bearing	1
Span 46	Beam 3 Far Bearing	Fixed Bearing	Fixed Bearing	1
Span 46	Beam 3 Near Bearing	Fixed Bearing	Fixed Bearing	1
Span 46	Beam 4 Far Bearing	Fixed Bearing	Fixed Bearing	1
Span 46	Beam 4 Near Bearing	Fixed Bearing	Fixed Bearing	1
Span 47	Deck	Reinforced Concrete Deck	Reinforced Concrete Deck	2022
Span 47	Beam 1	Prestressed Concrete Girder	Prestressed Concrete Open Girder/Beam	60
Span 47	Beam 2	Prestressed Concrete Girder	Prestressed Concrete Open Girder/Beam	60
Span 47	Beam 3	Prestressed Concrete Girder	Prestressed Concrete Open Girder/Beam	60
Span 47	Beam 4	Prestressed Concrete Girder	Prestressed Concrete Open Girder/Beam	60
Span 47	Left Bridge Rail	Concrete and Metal Railing	Other Bridge Railing	60
Span 47	Right Bridge Rail	Concrete and Metal Railing	Other Bridge Railing	60
Span 47	Expansion Joint over Bent 46	Standard Joint	Pourable Joint Seal	34
Span 47	Beam 1 Far Bearing	Fixed Bearing	Fixed Bearing	1
Span 47	Beam 1 Near Bearing	Fixed Bearing	Fixed Bearing	1
Span 47	Beam 2 Far Bearing	Fixed Bearing	Fixed Bearing	1
Span 47	Beam 2 Near Bearing	Fixed Bearing	Fixed Bearing	1
Span 47	Beam 3 Far Bearing	Fixed Bearing	Fixed Bearing	1
Span 47	Beam 3 Near Bearing	Fixed Bearing	Fixed Bearing	1
Span 47	Beam 4 Far Bearing	Fixed Bearing	Fixed Bearing	1
Span 47	Beam 4 Near Bearing	Fixed Bearing	Fixed Bearing	1
Span 48	Deck	Reinforced Concrete Deck	Reinforced Concrete Deck	2022
Span 48	Beam 1	Prestressed Concrete Girder	Prestressed Concrete Open Girder/Beam	60
Span 48	Beam 2	Prestressed Concrete Girder	Prestressed Concrete Open Girder/Beam	60
Span 48	Beam 3	Prestressed Concrete Girder	Prestressed Concrete Open Girder/Beam	60
Span 48	Beam 4	Prestressed Concrete Girder	Prestressed Concrete Open Girder/Beam	60
Span 48	Left Bridge Rail	Concrete and Metal Railing	Other Bridge Railing	60
Span 48	Right Bridge Rail	Concrete and Metal Railing	Other Bridge Railing	60
Span 48	Expansion Joint over Bent 47	Standard Joint	Pourable Joint Seal	34
Span 48	Beam 1 Far Bearing	Fixed Bearing	Fixed Bearing	1

Elements Verified

Location	Name	Component	Element Name	Amount
Span 48	Beam 1 Near Bearing	Fixed Bearing	Fixed Bearing	1
Span 48	Beam 2 Far Bearing	Fixed Bearing	Fixed Bearing	1
Span 48	Beam 2 Near Bearing	Fixed Bearing	Fixed Bearing	1
Span 48	Beam 3 Far Bearing	Fixed Bearing	Fixed Bearing	1
Span 48	Beam 3 Near Bearing	Fixed Bearing	Fixed Bearing	1
Span 48	Beam 4 Far Bearing	Fixed Bearing	Fixed Bearing	1
Span 48	Beam 4 Near Bearing	Fixed Bearing	Fixed Bearing	1
Span 49	Deck	Reinforced Concrete Deck	Reinforced Concrete Deck	2022
Span 49	Beam 1	Prestressed Concrete Girder	Prestressed Concrete Open Girder/Beam	60
Span 49	Beam 2	Prestressed Concrete Girder	Prestressed Concrete Open Girder/Beam	60
Span 49	Beam 3	Prestressed Concrete Girder	Prestressed Concrete Open Girder/Beam	60
Span 49	Beam 4	Prestressed Concrete Girder	Prestressed Concrete Open Girder/Beam	60
Span 49	Left Bridge Rail	Concrete and Metal Railing	Other Bridge Railing	60
Span 49	Right Bridge Rail	Concrete and Metal Railing	Other Bridge Railing	60
Span 49	Expansion Joint over Bent 48	Standard Joint	Pourable Joint Seal	34
Span 49	Beam 1 Far Bearing	Fixed Bearing	Fixed Bearing	1
Span 49	Beam 1 Near Bearing	Fixed Bearing	Fixed Bearing	1
Span 49	Beam 2 Far Bearing	Fixed Bearing	Fixed Bearing	1
Span 49	Beam 2 Near Bearing	Fixed Bearing	Fixed Bearing	1
Span 49	Beam 3 Far Bearing	Fixed Bearing	Fixed Bearing	1
Span 49	Beam 3 Near Bearing	Fixed Bearing	Fixed Bearing	1
Span 49	Beam 4 Far Bearing	Fixed Bearing	Fixed Bearing	1
Span 49	Beam 4 Near Bearing	Fixed Bearing	Fixed Bearing	1
Span 50	Deck	Reinforced Concrete Deck	Reinforced Concrete Deck	2022
Span 50	Beam 1	Prestressed Concrete Girder	Prestressed Concrete Open Girder/Beam	60
Span 50	Beam 2	Prestressed Concrete Girder	Prestressed Concrete Open Girder/Beam	60
Span 50	Beam 3	Prestressed Concrete Girder	Prestressed Concrete Open Girder/Beam	60
Span 50	Beam 4	Prestressed Concrete Girder	Prestressed Concrete Open Girder/Beam	60
Span 50	Left Bridge Rail	Concrete and Metal Railing	Other Bridge Railing	60
Span 50	Right Bridge Rail	Concrete and Metal Railing	Other Bridge Railing	60
Span 50	Expansion Joint over Bent 49	Standard Joint	Pourable Joint Seal	34
Span 50	Beam 1 Far Bearing	Fixed Bearing	Fixed Bearing	1
Span 50	Beam 1 Near Bearing	Fixed Bearing	Fixed Bearing	1
Span 50	Beam 2 Far Bearing	Fixed Bearing	Fixed Bearing	1
Span 50	Beam 2 Near Bearing	Fixed Bearing	Fixed Bearing	1
Span 50	Beam 3 Far Bearing	Fixed Bearing	Fixed Bearing	1
Span 50	Beam 3 Near Bearing	Fixed Bearing	Fixed Bearing	1
Span 50	Beam 4 Far Bearing	Fixed Bearing	Fixed Bearing	1
Span 50	Beam 4 Near Bearing	Fixed Bearing	Fixed Bearing	1
Span 51	Deck	Reinforced Concrete Deck	Reinforced Concrete Deck	2023
Span 51	Beam 1	Prestressed Concrete Girder	Prestressed Concrete Open Girder/Beam	60
Span 51	Beam 2	Prestressed Concrete Girder	Prestressed Concrete Open Girder/Beam	60
Span 51	Beam 3	Prestressed Concrete Girder	Prestressed Concrete Open Girder/Beam	60
Span 51	Beam 4	Prestressed Concrete Girder	Prestressed Concrete Open Girder/Beam	60

Elements Verified

Location	Name	Component	Element Name	Amount
Span 51	Left Bridge Rail	Concrete and Metal Railing	Other Bridge Railing	60
Span 51	Right Bridge Rail	Concrete and Metal Railing	Other Bridge Railing	60
Span 51	Expansion Joint over Bent 50	Standard Joint	Pourable Joint Seal	34
Span 51	Beam 1 Far Bearing	Fixed Bearing	Fixed Bearing	1
Span 51	Beam 1 Near Bearing	Fixed Bearing	Fixed Bearing	1
Span 51	Beam 2 Far Bearing	Fixed Bearing	Fixed Bearing	1
Span 51	Beam 2 Near Bearing	Fixed Bearing	Fixed Bearing	1
Span 51	Beam 3 Far Bearing	Fixed Bearing	Fixed Bearing	1
Span 51	Beam 3 Near Bearing	Fixed Bearing	Fixed Bearing	1
Span 51	Beam 4 Far Bearing	Fixed Bearing	Fixed Bearing	1
Span 51	Beam 4 Near Bearing	Fixed Bearing	Fixed Bearing	1
Span 52	Deck	Reinforced Concrete Deck	Reinforced Concrete Deck	2022
Span 52	Beam 1	Prestressed Concrete Girder	Prestressed Concrete Open Girder/Beam	60
Span 52	Beam 2	Prestressed Concrete Girder	Prestressed Concrete Open Girder/Beam	60
Span 52	Beam 3	Prestressed Concrete Girder	Prestressed Concrete Open Girder/Beam	60
Span 52	Beam 4	Prestressed Concrete Girder	Prestressed Concrete Open Girder/Beam	60
Span 52	Left Bridge Rail	Concrete and Metal Railing	Other Bridge Railing	60
Span 52	Right Bridge Rail	Concrete and Metal Railing	Other Bridge Railing	60
Span 52	Expansion Joint over Bent 51	Standard Joint	Pourable Joint Seal	34
Span 52	Beam 1 Far Bearing	Fixed Bearing	Fixed Bearing	1
Span 52	Beam 1 Near Bearing	Fixed Bearing	Fixed Bearing	1
Span 52	Beam 2 Far Bearing	Fixed Bearing	Fixed Bearing	1
Span 52	Beam 2 Near Bearing	Fixed Bearing	Fixed Bearing	1
Span 52	Beam 3 Far Bearing	Fixed Bearing	Fixed Bearing	1
Span 52	Beam 3 Near Bearing	Fixed Bearing	Fixed Bearing	1
Span 52	Beam 4 Far Bearing	Fixed Bearing	Fixed Bearing	1
Span 52	Beam 4 Near Bearing	Fixed Bearing	Fixed Bearing	1
Span 53	Deck	Reinforced Concrete Deck	Reinforced Concrete Deck	2022
Span 53	Beam 1	Prestressed Concrete Girder	Prestressed Concrete Open Girder/Beam	60
Span 53	Beam 2	Prestressed Concrete Girder	Prestressed Concrete Open Girder/Beam	60
Span 53	Beam 3	Prestressed Concrete Girder	Prestressed Concrete Open Girder/Beam	60
Span 53	Beam 4	Prestressed Concrete Girder	Prestressed Concrete Open Girder/Beam	60
Span 53	Left Bridge Rail	Concrete and Metal Railing	Other Bridge Railing	60
Span 53	Right Bridge Rail	Concrete and Metal Railing	Other Bridge Railing	60
Span 53	Expansion Joint over Bent 52	Standard Joint	Pourable Joint Seal	34
Span 53	Beam 1 Far Bearing	Fixed Bearing	Fixed Bearing	1
Span 53	Beam 1 Near Bearing	Fixed Bearing	Fixed Bearing	1
Span 53	Beam 2 Far Bearing	Fixed Bearing	Fixed Bearing	1
Span 53	Beam 2 Near Bearing	Fixed Bearing	Fixed Bearing	1
Span 53	Beam 3 Far Bearing	Fixed Bearing	Fixed Bearing	1
Span 53	Beam 3 Near Bearing	Fixed Bearing	Fixed Bearing	1
Span 53	Beam 4 Far Bearing	Fixed Bearing	Fixed Bearing	1
Span 53	Beam 4 Near Bearing	Fixed Bearing	Fixed Bearing	1
Span 54	Deck	Reinforced Concrete Deck	Reinforced Concrete Deck	2022

Elements Verified

Location	Name	Component	Element Name	Amount
Span 54	Beam 1	Prestressed Concrete Girder	Prestressed Concrete Open Girder/Beam	60
Span 54	Beam 2	Prestressed Concrete Girder	Prestressed Concrete Open Girder/Beam	60
Span 54	Beam 3	Prestressed Concrete Girder	Prestressed Concrete Open Girder/Beam	60
Span 54	Beam 4	Prestressed Concrete Girder	Prestressed Concrete Open Girder/Beam	60
Span 54	Left Bridge Rail	Concrete and Metal Railing	Other Bridge Railing	60
Span 54	Right Bridge Rail	Concrete and Metal Railing	Other Bridge Railing	60
Span 54	Expansion Joint over Bent 53	Standard Joint	Pourable Joint Seal	34
Span 54	Beam 1 Far Bearing	Fixed Bearing	Fixed Bearing	1
Span 54	Beam 1 Near Bearing	Fixed Bearing	Fixed Bearing	1
Span 54	Beam 2 Far Bearing	Fixed Bearing	Fixed Bearing	1
Span 54	Beam 2 Near Bearing	Fixed Bearing	Fixed Bearing	1
Span 54	Beam 3 Far Bearing	Fixed Bearing	Fixed Bearing	1
Span 54	Beam 3 Near Bearing	Fixed Bearing	Fixed Bearing	1
Span 54	Beam 4 Far Bearing	Fixed Bearing	Fixed Bearing	1
Span 54	Beam 4 Near Bearing	Fixed Bearing	Fixed Bearing	1
Span 55	Deck	Reinforced Concrete Deck	Reinforced Concrete Deck	2022
Span 55	Beam 1	Prestressed Concrete Girder	Prestressed Concrete Open Girder/Beam	60
Span 55	Beam 2	Prestressed Concrete Girder	Prestressed Concrete Open Girder/Beam	60
Span 55	Beam 3	Prestressed Concrete Girder	Prestressed Concrete Open Girder/Beam	60
Span 55	Beam 4	Prestressed Concrete Girder	Prestressed Concrete Open Girder/Beam	60
Span 55	Left Bridge Rail	Concrete and Metal Railing	Other Bridge Railing	60
Span 55	Right Bridge Rail	Concrete and Metal Railing	Other Bridge Railing	60
Span 55	Expansion Joint over Bent 54	Standard Joint	Pourable Joint Seal	34
Span 55	Beam 1 Far Bearing	Fixed Bearing	Fixed Bearing	1
Span 55	Beam 1 Near Bearing	Fixed Bearing	Fixed Bearing	1
Span 55	Beam 2 Far Bearing	Fixed Bearing	Fixed Bearing	1
Span 55	Beam 2 Near Bearing	Fixed Bearing	Fixed Bearing	1
Span 55	Beam 3 Far Bearing	Fixed Bearing	Fixed Bearing	1
Span 55	Beam 3 Near Bearing	Fixed Bearing	Fixed Bearing	1
Span 55	Beam 4 Far Bearing	Fixed Bearing	Fixed Bearing	1
Span 55	Beam 4 Near Bearing	Fixed Bearing	Fixed Bearing	1
Span 56	Deck	Reinforced Concrete Deck	Reinforced Concrete Deck	2022
Span 56	Beam 1	Prestressed Concrete Girder	Prestressed Concrete Open Girder/Beam	60
Span 56	Beam 2	Prestressed Concrete Girder	Prestressed Concrete Open Girder/Beam	60
Span 56	Beam 3	Prestressed Concrete Girder	Prestressed Concrete Open Girder/Beam	60
Span 56	Beam 4	Prestressed Concrete Girder	Prestressed Concrete Open Girder/Beam	60
Span 56	Left Bridge Rail	Concrete and Metal Railing	Other Bridge Railing	60
Span 56	Right Bridge Rail	Concrete and Metal Railing	Other Bridge Railing	60
Span 56	Expansion Joint over Bent 55	Standard Joint	Pourable Joint Seal	34
Span 56	Beam 1 Far Bearing	Fixed Bearing	Fixed Bearing	1
Span 56	Beam 1 Near Bearing	Fixed Bearing	Fixed Bearing	1
Span 56	Beam 2 Far Bearing	Fixed Bearing	Fixed Bearing	1
Span 56	Beam 2 Near Bearing	Fixed Bearing	Fixed Bearing	1
Span 56	Beam 3 Far Bearing	Fixed Bearing	Fixed Bearing	1

Elements Verified

Location	Name	Component	Element Name	Amount
Span 56	Beam 3 Near Bearing	Fixed Bearing	Fixed Bearing	1
Span 56	Beam 4 Far Bearing	Fixed Bearing	Fixed Bearing	1
Span 56	Beam 4 Near Bearing	Fixed Bearing	Fixed Bearing	1
Span 57	Deck	Reinforced Concrete Deck	Reinforced Concrete Deck	2022
Span 57	Beam 1	Prestressed Concrete Girder	Prestressed Concrete Open Girder/Beam	60
Span 57	Beam 2	Prestressed Concrete Girder	Prestressed Concrete Open Girder/Beam	60
Span 57	Beam 3	Prestressed Concrete Girder	Prestressed Concrete Open Girder/Beam	60
Span 57	Beam 4	Prestressed Concrete Girder	Prestressed Concrete Open Girder/Beam	60
Span 57	Left Bridge Rail	Concrete and Metal Railing	Other Bridge Railing	60
Span 57	Right Bridge Rail	Concrete and Metal Railing	Other Bridge Railing	60
Span 57	Expansion Joint over Bent 56	Standard Joint	Pourable Joint Seal	34
Span 57	Beam 1 Far Bearing	Fixed Bearing	Fixed Bearing	1
Span 57	Beam 1 Near Bearing	Fixed Bearing	Fixed Bearing	1
Span 57	Beam 2 Far Bearing	Fixed Bearing	Fixed Bearing	1
Span 57	Beam 2 Near Bearing	Fixed Bearing	Fixed Bearing	1
Span 57	Beam 3 Far Bearing	Fixed Bearing	Fixed Bearing	1
Span 57	Beam 3 Near Bearing	Fixed Bearing	Fixed Bearing	1
Span 57	Beam 4 Far Bearing	Fixed Bearing	Fixed Bearing	1
Span 57	Beam 4 Near Bearing	Fixed Bearing	Fixed Bearing	1
Span 58	Deck	Reinforced Concrete Deck	Reinforced Concrete Deck	2022
Span 58	Beam 1	Prestressed Concrete Girder	Prestressed Concrete Open Girder/Beam	60
Span 58	Beam 2	Prestressed Concrete Girder	Prestressed Concrete Open Girder/Beam	60
Span 58	Beam 3	Prestressed Concrete Girder	Prestressed Concrete Open Girder/Beam	60
Span 58	Beam 4	Prestressed Concrete Girder	Prestressed Concrete Open Girder/Beam	60
Span 58	Left Bridge Rail	Concrete and Metal Railing	Other Bridge Railing	60
Span 58	Right Bridge Rail	Concrete and Metal Railing	Other Bridge Railing	60
Span 58	Expansion Joint over Bent 57	Standard Joint	Pourable Joint Seal	34
Span 58	Beam 1 Far Bearing	Fixed Bearing	Fixed Bearing	1
Span 58	Beam 1 Near Bearing	Fixed Bearing	Fixed Bearing	1
Span 58	Beam 2 Far Bearing	Fixed Bearing	Fixed Bearing	1
Span 58	Beam 2 Near Bearing	Fixed Bearing	Fixed Bearing	1
Span 58	Beam 3 Far Bearing	Fixed Bearing	Fixed Bearing	1
Span 58	Beam 3 Near Bearing	Fixed Bearing	Fixed Bearing	1
Span 58	Beam 4 Far Bearing	Fixed Bearing	Fixed Bearing	1
Span 58	Beam 4 Near Bearing	Fixed Bearing	Fixed Bearing	1
Span 59	Deck	Reinforced Concrete Deck	Reinforced Concrete Deck	2022
Span 59	Beam 1	Prestressed Concrete Girder	Prestressed Concrete Open Girder/Beam	60
Span 59	Beam 2	Prestressed Concrete Girder	Prestressed Concrete Open Girder/Beam	60
Span 59	Beam 3	Prestressed Concrete Girder	Prestressed Concrete Open Girder/Beam	60
Span 59	Beam 4	Prestressed Concrete Girder	Prestressed Concrete Open Girder/Beam	60
Span 59	Left Bridge Rail	Concrete and Metal Railing	Other Bridge Railing	60
Span 59	Right Bridge Rail	Concrete and Metal Railing	Other Bridge Railing	60
Span 59	Expansion Joint over Bent 58	Standard Joint	Pourable Joint Seal	34
Span 59	Beam 1 Far Bearing	Fixed Bearing	Fixed Bearing	1

Elements Verified

Location	Name	Component	Element Name	Amount
Span 59	Beam 1 Near Bearing	Fixed Bearing	Fixed Bearing	1
Span 59	Beam 2 Far Bearing	Fixed Bearing	Fixed Bearing	1
Span 59	Beam 2 Near Bearing	Fixed Bearing	Fixed Bearing	1
Span 59	Beam 3 Far Bearing	Fixed Bearing	Fixed Bearing	1
Span 59	Beam 3 Near Bearing	Fixed Bearing	Fixed Bearing	1
Span 59	Beam 4 Far Bearing	Fixed Bearing	Fixed Bearing	1
Span 59	Beam 4 Near Bearing	Fixed Bearing	Fixed Bearing	1
Span 60	Deck	Reinforced Concrete Deck	Reinforced Concrete Deck	2022
Span 60	Beam 1	Prestressed Concrete Girder	Prestressed Concrete Open Girder/Beam	60
Span 60	Beam 2	Prestressed Concrete Girder	Prestressed Concrete Open Girder/Beam	60
Span 60	Beam 3	Prestressed Concrete Girder	Prestressed Concrete Open Girder/Beam	60
Span 60	Beam 4	Prestressed Concrete Girder	Prestressed Concrete Open Girder/Beam	60
Span 60	Left Bridge Rail	Concrete and Metal Railing	Other Bridge Railing	60
Span 60	Right Bridge Rail	Concrete and Metal Railing	Other Bridge Railing	60
Span 60	Expansion Joint over Bent 59	Standard Joint	Pourable Joint Seal	34
Span 60	Beam 1 Far Bearing	Fixed Bearing	Fixed Bearing	1
Span 60	Beam 1 Near Bearing	Fixed Bearing	Fixed Bearing	1
Span 60	Beam 2 Far Bearing	Fixed Bearing	Fixed Bearing	1
Span 60	Beam 2 Near Bearing	Fixed Bearing	Fixed Bearing	1
Span 60	Beam 3 Far Bearing	Fixed Bearing	Fixed Bearing	1
Span 60	Beam 3 Near Bearing	Fixed Bearing	Fixed Bearing	1
Span 60	Beam 4 Far Bearing	Fixed Bearing	Fixed Bearing	1
Span 60	Beam 4 Near Bearing	Fixed Bearing	Fixed Bearing	1
Span 61	Deck	Reinforced Concrete Deck	Reinforced Concrete Deck	2022
Span 61	Beam 1	Prestressed Concrete Girder	Prestressed Concrete Open Girder/Beam	60
Span 61	Beam 2	Prestressed Concrete Girder	Prestressed Concrete Open Girder/Beam	60
Span 61	Beam 3	Prestressed Concrete Girder	Prestressed Concrete Open Girder/Beam	60
Span 61	Beam 4	Prestressed Concrete Girder	Prestressed Concrete Open Girder/Beam	60
Span 61	Left Bridge Rail	Concrete and Metal Railing	Other Bridge Railing	60
Span 61	Right Bridge Rail	Concrete and Metal Railing	Other Bridge Railing	60
Span 61	Expansion Joint over Bent 60	Standard Joint	Pourable Joint Seal	34
Span 61	Beam 1 Far Bearing	Fixed Bearing	Fixed Bearing	1
Span 61	Beam 1 Near Bearing	Fixed Bearing	Fixed Bearing	1
Span 61	Beam 2 Far Bearing	Fixed Bearing	Fixed Bearing	1
Span 61	Beam 2 Near Bearing	Fixed Bearing	Fixed Bearing	1
Span 61	Beam 3 Far Bearing	Fixed Bearing	Fixed Bearing	1
Span 61	Beam 3 Near Bearing	Fixed Bearing	Fixed Bearing	1
Span 61	Beam 4 Far Bearing	Fixed Bearing	Fixed Bearing	1
Span 61	Beam 4 Near Bearing	Fixed Bearing	Fixed Bearing	1
Span 62	Deck	Reinforced Concrete Deck	Reinforced Concrete Deck	2022
Span 62	Beam 1	Prestressed Concrete Girder	Prestressed Concrete Open Girder/Beam	60
Span 62	Beam 2	Prestressed Concrete Girder	Prestressed Concrete Open Girder/Beam	60
Span 62	Beam 3	Prestressed Concrete Girder	Prestressed Concrete Open Girder/Beam	60
Span 62	Beam 4	Prestressed Concrete Girder	Prestressed Concrete Open Girder/Beam	60

Elements Verified

Location	Name	Component	Element Name	Amount
Span 62	Left Bridge Rail	Concrete and Metal Railing	Other Bridge Railing	60
Span 62	Right Bridge Rail	Concrete and Metal Railing	Other Bridge Railing	60
Span 62	Expansion Joint over Bent 61	Standard Joint	Pourable Joint Seal	34
Span 62	Beam 1 Far Bearing	Fixed Bearing	Fixed Bearing	1
Span 62	Beam 1 Near Bearing	Fixed Bearing	Fixed Bearing	1
Span 62	Beam 2 Far Bearing	Fixed Bearing	Fixed Bearing	1
Span 62	Beam 2 Near Bearing	Fixed Bearing	Fixed Bearing	1
Span 62	Beam 3 Far Bearing	Fixed Bearing	Fixed Bearing	1
Span 62	Beam 3 Near Bearing	Fixed Bearing	Fixed Bearing	1
Span 62	Beam 4 Far Bearing	Fixed Bearing	Fixed Bearing	1
Span 62	Beam 4 Near Bearing	Fixed Bearing	Fixed Bearing	1
Span 63	Deck	Reinforced Concrete Deck	Reinforced Concrete Deck	2022
Span 63	Beam 1	Prestressed Concrete Girder	Prestressed Concrete Open Girder/Beam	60
Span 63	Beam 2	Prestressed Concrete Girder	Prestressed Concrete Open Girder/Beam	60
Span 63	Beam 3	Prestressed Concrete Girder	Prestressed Concrete Open Girder/Beam	60
Span 63	Beam 4	Prestressed Concrete Girder	Prestressed Concrete Open Girder/Beam	60
Span 63	Left Bridge Rail	Concrete and Metal Railing	Other Bridge Railing	60
Span 63	Right Bridge Rail	Concrete and Metal Railing	Other Bridge Railing	60
Span 63	Expansion Joint over Bent 62	Standard Joint	Pourable Joint Seal	34
Span 63	Beam 1 Far Bearing	Fixed Bearing	Fixed Bearing	1
Span 63	Beam 1 Near Bearing	Fixed Bearing	Fixed Bearing	1
Span 63	Beam 2 Far Bearing	Fixed Bearing	Fixed Bearing	1
Span 63	Beam 2 Near Bearing	Fixed Bearing	Fixed Bearing	1
Span 63	Beam 3 Far Bearing	Fixed Bearing	Fixed Bearing	1
Span 63	Beam 3 Near Bearing	Fixed Bearing	Fixed Bearing	1
Span 63	Beam 4 Far Bearing	Fixed Bearing	Fixed Bearing	1
Span 63	Beam 4 Near Bearing	Fixed Bearing	Fixed Bearing	1
Span 64	Deck	Reinforced Concrete Deck	Reinforced Concrete Deck	2022
Span 64	Beam 1	Prestressed Concrete Girder	Prestressed Concrete Open Girder/Beam	60
Span 64	Beam 2	Prestressed Concrete Girder	Prestressed Concrete Open Girder/Beam	60
Span 64	Beam 3	Prestressed Concrete Girder	Prestressed Concrete Open Girder/Beam	60
Span 64	Beam 4	Prestressed Concrete Girder	Prestressed Concrete Open Girder/Beam	60
Span 64	Left Bridge Rail	Concrete and Metal Railing	Other Bridge Railing	60
Span 64	Right Bridge Rail	Concrete and Metal Railing	Other Bridge Railing	60
Span 64	Expansion Joint over Bent 63	Standard Joint	Pourable Joint Seal	34
Span 64	Beam 1 Far Bearing	Fixed Bearing	Fixed Bearing	1
Span 64	Beam 1 Near Bearing	Fixed Bearing	Fixed Bearing	1
Span 64	Beam 2 Far Bearing	Fixed Bearing	Fixed Bearing	1
Span 64	Beam 2 Near Bearing	Fixed Bearing	Fixed Bearing	1
Span 64	Beam 3 Far Bearing	Fixed Bearing	Fixed Bearing	1
Span 64	Beam 3 Near Bearing	Fixed Bearing	Fixed Bearing	1
Span 64	Beam 4 Far Bearing	Fixed Bearing	Fixed Bearing	1
Span 64	Beam 4 Near Bearing	Fixed Bearing	Fixed Bearing	1
Span 65	Deck	Reinforced Concrete Deck	Reinforced Concrete Deck	2022

Elements Verified

Location	Name	Component	Element Name	Amount
Span 65	Beam 1	Prestressed Concrete Girder	Prestressed Concrete Open Girder/Beam	60
Span 65	Beam 2	Prestressed Concrete Girder	Prestressed Concrete Open Girder/Beam	60
Span 65	Beam 3	Prestressed Concrete Girder	Prestressed Concrete Open Girder/Beam	60
Span 65	Beam 4	Prestressed Concrete Girder	Prestressed Concrete Open Girder/Beam	60
Span 65	Left Bridge Rail	Concrete and Metal Railing	Other Bridge Railing	60
Span 65	Right Bridge Rail	Concrete and Metal Railing	Other Bridge Railing	60
Span 65	Expansion Joint over Bent 64	Standard Joint	Pourable Joint Seal	34
Span 65	Beam 1 Far Bearing	Fixed Bearing	Fixed Bearing	1
Span 65	Beam 1 Near Bearing	Fixed Bearing	Fixed Bearing	1
Span 65	Beam 2 Far Bearing	Fixed Bearing	Fixed Bearing	1
Span 65	Beam 2 Near Bearing	Fixed Bearing	Fixed Bearing	1
Span 65	Beam 3 Far Bearing	Fixed Bearing	Fixed Bearing	1
Span 65	Beam 3 Near Bearing	Fixed Bearing	Fixed Bearing	1
Span 65	Beam 4 Far Bearing	Fixed Bearing	Fixed Bearing	1
Span 65	Beam 4 Near Bearing	Fixed Bearing	Fixed Bearing	1
Span 66	Deck	Reinforced Concrete Deck	Reinforced Concrete Deck	2022
Span 66	Beam 1	Prestressed Concrete Girder	Prestressed Concrete Open Girder/Beam	60
Span 66	Beam 2	Prestressed Concrete Girder	Prestressed Concrete Open Girder/Beam	60
Span 66	Beam 3	Prestressed Concrete Girder	Prestressed Concrete Open Girder/Beam	60
Span 66	Beam 4	Prestressed Concrete Girder	Prestressed Concrete Open Girder/Beam	60
Span 66	Left Bridge Rail	Concrete and Metal Railing	Other Bridge Railing	60
Span 66	Right Bridge Rail	Concrete and Metal Railing	Other Bridge Railing	60
Span 66	Expansion Joint over Bent 65	Standard Joint	Pourable Joint Seal	34
Span 66	Beam 1 Far Bearing	Fixed Bearing	Fixed Bearing	1
Span 66	Beam 1 Near Bearing	Fixed Bearing	Fixed Bearing	1
Span 66	Beam 2 Far Bearing	Fixed Bearing	Fixed Bearing	1
Span 66	Beam 2 Near Bearing	Fixed Bearing	Fixed Bearing	1
Span 66	Beam 3 Far Bearing	Fixed Bearing	Fixed Bearing	1
Span 66	Beam 3 Near Bearing	Fixed Bearing	Fixed Bearing	1
Span 66	Beam 4 Far Bearing	Fixed Bearing	Fixed Bearing	1
Span 66	Beam 4 Near Bearing	Fixed Bearing	Fixed Bearing	1
Span 67	Deck	Reinforced Concrete Deck	Reinforced Concrete Deck	2022
Span 67	Beam 1	Prestressed Concrete Girder	Prestressed Concrete Open Girder/Beam	60
Span 67	Beam 2	Prestressed Concrete Girder	Prestressed Concrete Open Girder/Beam	60
Span 67	Beam 3	Prestressed Concrete Girder	Prestressed Concrete Open Girder/Beam	60
Span 67	Beam 4	Prestressed Concrete Girder	Prestressed Concrete Open Girder/Beam	60
Span 67	Left Bridge Rail	Concrete and Metal Railing	Other Bridge Railing	60
Span 67	Right Bridge Rail	Concrete and Metal Railing	Other Bridge Railing	60
Span 67	Expansion Joint over Bent 66	Standard Joint	Pourable Joint Seal	34
Span 67	Beam 1 Far Bearing	Fixed Bearing	Fixed Bearing	1
Span 67	Beam 1 Near Bearing	Fixed Bearing	Fixed Bearing	1
Span 67	Beam 2 Far Bearing	Fixed Bearing	Fixed Bearing	1
Span 67	Beam 2 Near Bearing	Fixed Bearing	Fixed Bearing	1
Span 67	Beam 3 Far Bearing	Fixed Bearing	Fixed Bearing	1

Elements Verified

Location	Name	Component	Element Name	Amount
Span 67	Beam 3 Near Bearing	Fixed Bearing	Fixed Bearing	1
Span 67	Beam 4 Far Bearing	Fixed Bearing	Fixed Bearing	1
Span 67	Beam 4 Near Bearing	Fixed Bearing	Fixed Bearing	1
Span 68	Deck	Reinforced Concrete Deck	Reinforced Concrete Deck	2022
Span 68	Beam 1	Prestressed Concrete Girder	Prestressed Concrete Open Girder/Beam	60
Span 68	Beam 2	Prestressed Concrete Girder	Prestressed Concrete Open Girder/Beam	60
Span 68	Beam 3	Prestressed Concrete Girder	Prestressed Concrete Open Girder/Beam	60
Span 68	Beam 4	Prestressed Concrete Girder	Prestressed Concrete Open Girder/Beam	60
Span 68	Left Bridge Rail	Concrete and Metal Railing	Other Bridge Railing	60
Span 68	Right Bridge Rail	Concrete and Metal Railing	Other Bridge Railing	60
Span 68	Expansion Joint over Bent 67	Standard Joint	Pourable Joint Seal	34
Span 68	Beam 1 Far Bearing	Fixed Bearing	Fixed Bearing	1
Span 68	Beam 1 Near Bearing	Fixed Bearing	Fixed Bearing	1
Span 68	Beam 2 Far Bearing	Fixed Bearing	Fixed Bearing	1
Span 68	Beam 2 Near Bearing	Fixed Bearing	Fixed Bearing	1
Span 68	Beam 3 Far Bearing	Fixed Bearing	Fixed Bearing	1
Span 68	Beam 3 Near Bearing	Fixed Bearing	Fixed Bearing	1
Span 68	Beam 4 Far Bearing	Fixed Bearing	Fixed Bearing	1
Span 68	Beam 4 Near Bearing	Fixed Bearing	Fixed Bearing	1
Span 69	Deck	Reinforced Concrete Deck	Reinforced Concrete Deck	2022
Span 69	Beam 1	Prestressed Concrete Girder	Prestressed Concrete Open Girder/Beam	60
Span 69	Beam 2	Prestressed Concrete Girder	Prestressed Concrete Open Girder/Beam	60
Span 69	Beam 3	Prestressed Concrete Girder	Prestressed Concrete Open Girder/Beam	60
Span 69	Beam 4	Prestressed Concrete Girder	Prestressed Concrete Open Girder/Beam	60
Span 69	Left Bridge Rail	Concrete and Metal Railing	Other Bridge Railing	60
Span 69	Right Bridge Rail	Concrete and Metal Railing	Other Bridge Railing	60
Span 69	Expansion Joint over Bent 68	Standard Joint	Pourable Joint Seal	34
Span 69	Beam 1 Far Bearing	Fixed Bearing	Fixed Bearing	1
Span 69	Beam 1 Near Bearing	Fixed Bearing	Fixed Bearing	1
Span 69	Beam 2 Far Bearing	Fixed Bearing	Fixed Bearing	1
Span 69	Beam 2 Near Bearing	Fixed Bearing	Fixed Bearing	1
Span 69	Beam 3 Far Bearing	Fixed Bearing	Fixed Bearing	1
Span 69	Beam 3 Near Bearing	Fixed Bearing	Fixed Bearing	1
Span 69	Beam 4 Far Bearing	Fixed Bearing	Fixed Bearing	1
Span 69	Beam 4 Near Bearing	Fixed Bearing	Fixed Bearing	1
Span 70	Deck	Reinforced Concrete Deck	Reinforced Concrete Deck	2022
Span 70	Beam 1	Prestressed Concrete Girder	Prestressed Concrete Open Girder/Beam	60
Span 70	Beam 2	Prestressed Concrete Girder	Prestressed Concrete Open Girder/Beam	60
Span 70	Beam 3	Prestressed Concrete Girder	Prestressed Concrete Open Girder/Beam	60
Span 70	Beam 4	Prestressed Concrete Girder	Prestressed Concrete Open Girder/Beam	60
Span 70	Left Bridge Rail	Concrete and Metal Railing	Other Bridge Railing	60
Span 70	Right Bridge Rail	Concrete and Metal Railing	Other Bridge Railing	60
Span 70	Expansion Joint over Bent 69	Standard Joint	Pourable Joint Seal	34
Span 70	Beam 1 Far Bearing	Fixed Bearing	Fixed Bearing	1

Elements Verified

Location	Name	Component	Element Name	Amount
Span 70	Beam 1 Near Bearing	Fixed Bearing	Fixed Bearing	1
Span 70	Beam 2 Far Bearing	Fixed Bearing	Fixed Bearing	1
Span 70	Beam 2 Near Bearing	Fixed Bearing	Fixed Bearing	1
Span 70	Beam 3 Far Bearing	Fixed Bearing	Fixed Bearing	1
Span 70	Beam 3 Near Bearing	Fixed Bearing	Fixed Bearing	1
Span 70	Beam 4 Far Bearing	Fixed Bearing	Fixed Bearing	1
Span 70	Beam 4 Near Bearing	Fixed Bearing	Fixed Bearing	1
Span 71	Deck	Reinforced Concrete Deck	Reinforced Concrete Deck	2023
Span 71	Beam 1	Prestressed Concrete Girder	Prestressed Concrete Open Girder/Beam	60
Span 71	Beam 2	Prestressed Concrete Girder	Prestressed Concrete Open Girder/Beam	60
Span 71	Beam 3	Prestressed Concrete Girder	Prestressed Concrete Open Girder/Beam	60
Span 71	Beam 4	Prestressed Concrete Girder	Prestressed Concrete Open Girder/Beam	60
Span 71	Left Bridge Rail	Concrete and Metal Railing	Other Bridge Railing	60
Span 71	Right Bridge Rail	Concrete and Metal Railing	Other Bridge Railing	60
Span 71	Expansion Joint over Bent 70	Standard Joint	Pourable Joint Seal	34
Span 71	Beam 1 Far Bearing	Fixed Bearing	Fixed Bearing	1
Span 71	Beam 1 Near Bearing	Fixed Bearing	Fixed Bearing	1
Span 71	Beam 2 Far Bearing	Fixed Bearing	Fixed Bearing	1
Span 71	Beam 2 Near Bearing	Fixed Bearing	Fixed Bearing	1
Span 71	Beam 3 Far Bearing	Fixed Bearing	Fixed Bearing	1
Span 71	Beam 3 Near Bearing	Fixed Bearing	Fixed Bearing	1
Span 71	Beam 4 Far Bearing	Fixed Bearing	Fixed Bearing	1
Span 71	Beam 4 Near Bearing	Fixed Bearing	Fixed Bearing	1
Span 72	Deck	Reinforced Concrete Deck	Reinforced Concrete Deck	2022
Span 72	Beam 1	Prestressed Concrete Girder	Prestressed Concrete Open Girder/Beam	60
Span 72	Beam 2	Prestressed Concrete Girder	Prestressed Concrete Open Girder/Beam	60
Span 72	Beam 3	Prestressed Concrete Girder	Prestressed Concrete Open Girder/Beam	60
Span 72	Beam 4	Prestressed Concrete Girder	Prestressed Concrete Open Girder/Beam	60
Span 72	Left Bridge Rail	Concrete and Metal Railing	Other Bridge Railing	60
Span 72	Right Bridge Rail	Concrete and Metal Railing	Other Bridge Railing	60
Span 72	Expansion Joint over Bent 71	Standard Joint	Pourable Joint Seal	34
Span 72	Beam 1 Far Bearing	Fixed Bearing	Fixed Bearing	1
Span 72	Beam 1 Near Bearing	Fixed Bearing	Fixed Bearing	1
Span 72	Beam 2 Far Bearing	Fixed Bearing	Fixed Bearing	1
Span 72	Beam 2 Near Bearing	Fixed Bearing	Fixed Bearing	1
Span 72	Beam 3 Far Bearing	Fixed Bearing	Fixed Bearing	1
Span 72	Beam 3 Near Bearing	Fixed Bearing	Fixed Bearing	1
Span 72	Beam 4 Far Bearing	Fixed Bearing	Fixed Bearing	1
Span 72	Beam 4 Near Bearing	Fixed Bearing	Fixed Bearing	1
Span 73	Deck	Reinforced Concrete Deck	Reinforced Concrete Deck	2022
Span 73	Beam 1	Prestressed Concrete Girder	Prestressed Concrete Open Girder/Beam	60
Span 73	Beam 2	Prestressed Concrete Girder	Prestressed Concrete Open Girder/Beam	60
Span 73	Beam 3	Prestressed Concrete Girder	Prestressed Concrete Open Girder/Beam	60
Span 73	Beam 4	Prestressed Concrete Girder	Prestressed Concrete Open Girder/Beam	60

Elements Verified

Location	Name	Component	Element Name	Amount
Span 73	Left Bridge Rail	Concrete and Metal Railing	Other Bridge Railing	60
Span 73	Right Bridge Rail	Concrete and Metal Railing	Other Bridge Railing	60
Span 73	Expansion Joint over Bent 72	Standard Joint	Pourable Joint Seal	34
Span 73	Beam 1 Far Bearing	Fixed Bearing	Fixed Bearing	1
Span 73	Beam 1 Near Bearing	Fixed Bearing	Fixed Bearing	1
Span 73	Beam 2 Far Bearing	Fixed Bearing	Fixed Bearing	1
Span 73	Beam 2 Near Bearing	Fixed Bearing	Fixed Bearing	1
Span 73	Beam 3 Far Bearing	Fixed Bearing	Fixed Bearing	1
Span 73	Beam 3 Near Bearing	Fixed Bearing	Fixed Bearing	1
Span 73	Beam 4 Far Bearing	Fixed Bearing	Fixed Bearing	1
Span 73	Beam 4 Near Bearing	Fixed Bearing	Fixed Bearing	1
Span 74	Deck	Reinforced Concrete Deck	Reinforced Concrete Deck	2022
Span 74	Beam 1	Prestressed Concrete Girder	Prestressed Concrete Open Girder/Beam	60
Span 74	Beam 2	Prestressed Concrete Girder	Prestressed Concrete Open Girder/Beam	60
Span 74	Beam 3	Prestressed Concrete Girder	Prestressed Concrete Open Girder/Beam	60
Span 74	Beam 4	Prestressed Concrete Girder	Prestressed Concrete Open Girder/Beam	60
Span 74	Left Bridge Rail	Concrete and Metal Railing	Other Bridge Railing	60
Span 74	Right Bridge Rail	Concrete and Metal Railing	Other Bridge Railing	60
Span 74	Expansion Joint over Bent 73	Standard Joint	Pourable Joint Seal	34
Span 74	Beam 1 Far Bearing	Fixed Bearing	Fixed Bearing	1
Span 74	Beam 1 Near Bearing	Fixed Bearing	Fixed Bearing	1
Span 74	Beam 2 Far Bearing	Fixed Bearing	Fixed Bearing	1
Span 74	Beam 2 Near Bearing	Fixed Bearing	Fixed Bearing	1
Span 74	Beam 3 Far Bearing	Fixed Bearing	Fixed Bearing	1
Span 74	Beam 3 Near Bearing	Fixed Bearing	Fixed Bearing	1
Span 74	Beam 4 Far Bearing	Fixed Bearing	Fixed Bearing	1
Span 74	Beam 4 Near Bearing	Fixed Bearing	Fixed Bearing	1
Span 75	Deck	Reinforced Concrete Deck	Reinforced Concrete Deck	2022
Span 75	Beam 1	Prestressed Concrete Girder	Prestressed Concrete Open Girder/Beam	60
Span 75	Beam 2	Prestressed Concrete Girder	Prestressed Concrete Open Girder/Beam	60
Span 75	Beam 3	Prestressed Concrete Girder	Prestressed Concrete Open Girder/Beam	60
Span 75	Beam 4	Prestressed Concrete Girder	Prestressed Concrete Open Girder/Beam	60
Span 75	Left Bridge Rail	Concrete and Metal Railing	Other Bridge Railing	60
Span 75	Right Bridge Rail	Concrete and Metal Railing	Other Bridge Railing	60
Span 75	Expansion Joint over Bent 74	Standard Joint	Pourable Joint Seal	34
Span 75	Beam 1 Far Bearing	Fixed Bearing	Fixed Bearing	1
Span 75	Beam 1 Near Bearing	Fixed Bearing	Fixed Bearing	1
Span 75	Beam 2 Far Bearing	Fixed Bearing	Fixed Bearing	1
Span 75	Beam 2 Near Bearing	Fixed Bearing	Fixed Bearing	1
Span 75	Beam 3 Far Bearing	Fixed Bearing	Fixed Bearing	1
Span 75	Beam 3 Near Bearing	Fixed Bearing	Fixed Bearing	1
Span 75	Beam 4 Far Bearing	Fixed Bearing	Fixed Bearing	1
Span 75	Beam 4 Near Bearing	Fixed Bearing	Fixed Bearing	1
Span 76	Deck	Reinforced Concrete Deck	Reinforced Concrete Deck	2022

Elements Verified

Location	Name	Component	Element Name	Amount
Span 76	Beam 1	Prestressed Concrete Girder	Prestressed Concrete Open Girder/Beam	60
Span 76	Beam 2	Prestressed Concrete Girder	Prestressed Concrete Open Girder/Beam	60
Span 76	Beam 3	Prestressed Concrete Girder	Prestressed Concrete Open Girder/Beam	60
Span 76	Beam 4	Prestressed Concrete Girder	Prestressed Concrete Open Girder/Beam	60
Span 76	Left Bridge Rail	Concrete and Metal Railing	Other Bridge Railing	60
Span 76	Right Bridge Rail	Concrete and Metal Railing	Other Bridge Railing	60
Span 76	Expansion Joint over Bent 75	Standard Joint	Pourable Joint Seal	34
Span 76	Beam 1 Far Bearing	Fixed Bearing	Fixed Bearing	1
Span 76	Beam 1 Near Bearing	Fixed Bearing	Fixed Bearing	1
Span 76	Beam 2 Far Bearing	Fixed Bearing	Fixed Bearing	1
Span 76	Beam 2 Near Bearing	Fixed Bearing	Fixed Bearing	1
Span 76	Beam 3 Far Bearing	Fixed Bearing	Fixed Bearing	1
Span 76	Beam 3 Near Bearing	Fixed Bearing	Fixed Bearing	1
Span 76	Beam 4 Far Bearing	Fixed Bearing	Fixed Bearing	1
Span 76	Beam 4 Near Bearing	Fixed Bearing	Fixed Bearing	1
Span 77	Deck	Reinforced Concrete Deck	Reinforced Concrete Deck	2022
Span 77	Beam 1	Prestressed Concrete Girder	Prestressed Concrete Open Girder/Beam	60
Span 77	Beam 2	Prestressed Concrete Girder	Prestressed Concrete Open Girder/Beam	60
Span 77	Beam 3	Prestressed Concrete Girder	Prestressed Concrete Open Girder/Beam	60
Span 77	Beam 4	Prestressed Concrete Girder	Prestressed Concrete Open Girder/Beam	60
Span 77	Left Bridge Rail	Concrete and Metal Railing	Other Bridge Railing	60
Span 77	Right Bridge Rail	Concrete and Metal Railing	Other Bridge Railing	60
Span 77	Expansion Joint over Bent 76	Standard Joint	Pourable Joint Seal	34
Span 77	Beam 1 Far Bearing	Fixed Bearing	Fixed Bearing	1
Span 77	Beam 1 Near Bearing	Fixed Bearing	Fixed Bearing	1
Span 77	Beam 2 Far Bearing	Fixed Bearing	Fixed Bearing	1
Span 77	Beam 2 Near Bearing	Fixed Bearing	Fixed Bearing	1
Span 77	Beam 3 Far Bearing	Fixed Bearing	Fixed Bearing	1
Span 77	Beam 3 Near Bearing	Fixed Bearing	Fixed Bearing	1
Span 77	Beam 4 Far Bearing	Fixed Bearing	Fixed Bearing	1
Span 77	Beam 4 Near Bearing	Fixed Bearing	Fixed Bearing	1
Span 78	Deck	Reinforced Concrete Deck	Reinforced Concrete Deck	2022
Span 78	Beam 1	Prestressed Concrete Girder	Prestressed Concrete Open Girder/Beam	60
Span 78	Beam 2	Prestressed Concrete Girder	Prestressed Concrete Open Girder/Beam	60
Span 78	Beam 3	Prestressed Concrete Girder	Prestressed Concrete Open Girder/Beam	60
Span 78	Beam 4	Prestressed Concrete Girder	Prestressed Concrete Open Girder/Beam	60
Span 78	Left Bridge Rail	Concrete and Metal Railing	Other Bridge Railing	60
Span 78	Right Bridge Rail	Concrete and Metal Railing	Other Bridge Railing	60
Span 78	Expansion Joint over Bent 77	Standard Joint	Pourable Joint Seal	34
Span 78	Beam 1 Far Bearing	Fixed Bearing	Fixed Bearing	1
Span 78	Beam 1 Near Bearing	Fixed Bearing	Fixed Bearing	1
Span 78	Beam 2 Far Bearing	Fixed Bearing	Fixed Bearing	1
Span 78	Beam 2 Near Bearing	Fixed Bearing	Fixed Bearing	1
Span 78	Beam 3 Far Bearing	Fixed Bearing	Fixed Bearing	1

Elements Verified

Location	Name	Component	Element Name	Amount
Span 78	Beam 3 Near Bearing	Fixed Bearing	Fixed Bearing	1
Span 78	Beam 4 Far Bearing	Fixed Bearing	Fixed Bearing	1
Span 78	Beam 4 Near Bearing	Fixed Bearing	Fixed Bearing	1
Span 79	Deck	Reinforced Concrete Deck	Reinforced Concrete Deck	2022
Span 79	Beam 1	Prestressed Concrete Girder	Prestressed Concrete Open Girder/Beam	60
Span 79	Beam 2	Prestressed Concrete Girder	Prestressed Concrete Open Girder/Beam	60
Span 79	Beam 3	Prestressed Concrete Girder	Prestressed Concrete Open Girder/Beam	60
Span 79	Beam 4	Prestressed Concrete Girder	Prestressed Concrete Open Girder/Beam	60
Span 79	Left Bridge Rail	Concrete and Metal Railing	Other Bridge Railing	60
Span 79	Right Bridge Rail	Concrete and Metal Railing	Other Bridge Railing	60
Span 79	Expansion Joint over Bent 78	Standard Joint	Pourable Joint Seal	34
Span 79	Beam 1 Far Bearing	Fixed Bearing	Fixed Bearing	1
Span 79	Beam 1 Near Bearing	Fixed Bearing	Fixed Bearing	1
Span 79	Beam 2 Far Bearing	Fixed Bearing	Fixed Bearing	1
Span 79	Beam 2 Near Bearing	Fixed Bearing	Fixed Bearing	1
Span 79	Beam 3 Far Bearing	Fixed Bearing	Fixed Bearing	1
Span 79	Beam 3 Near Bearing	Fixed Bearing	Fixed Bearing	1
Span 79	Beam 4 Far Bearing	Fixed Bearing	Fixed Bearing	1
Span 79	Beam 4 Near Bearing	Fixed Bearing	Fixed Bearing	1
Span 80	Deck	Reinforced Concrete Deck	Reinforced Concrete Deck	2022
Span 80	Beam 1	Prestressed Concrete Girder	Prestressed Concrete Open Girder/Beam	60
Span 80	Beam 2	Prestressed Concrete Girder	Prestressed Concrete Open Girder/Beam	60
Span 80	Beam 3	Prestressed Concrete Girder	Prestressed Concrete Open Girder/Beam	60
Span 80	Beam 4	Prestressed Concrete Girder	Prestressed Concrete Open Girder/Beam	60
Span 80	Left Bridge Rail	Concrete and Metal Railing	Other Bridge Railing	60
Span 80	Right Bridge Rail	Concrete and Metal Railing	Other Bridge Railing	60
Span 80	Expansion Joint over Bent 79	Standard Joint	Pourable Joint Seal	34
Span 80	Beam 1 Far Bearing	Fixed Bearing	Fixed Bearing	1
Span 80	Beam 1 Near Bearing	Fixed Bearing	Fixed Bearing	1
Span 80	Beam 2 Far Bearing	Fixed Bearing	Fixed Bearing	1
Span 80	Beam 2 Near Bearing	Fixed Bearing	Fixed Bearing	1
Span 80	Beam 3 Far Bearing	Fixed Bearing	Fixed Bearing	1
Span 80	Beam 3 Near Bearing	Fixed Bearing	Fixed Bearing	1
Span 80	Beam 4 Far Bearing	Fixed Bearing	Fixed Bearing	1
Span 80	Beam 4 Near Bearing	Fixed Bearing	Fixed Bearing	1
Span 81	Deck	Reinforced Concrete Deck	Reinforced Concrete Deck	2022
Span 81	Beam 1	Prestressed Concrete Girder	Prestressed Concrete Open Girder/Beam	60
Span 81	Beam 2	Prestressed Concrete Girder	Prestressed Concrete Open Girder/Beam	60
Span 81	Beam 3	Prestressed Concrete Girder	Prestressed Concrete Open Girder/Beam	60
Span 81	Beam 4	Prestressed Concrete Girder	Prestressed Concrete Open Girder/Beam	60
Span 81	Left Bridge Rail	Concrete and Metal Railing	Other Bridge Railing	60
Span 81	Right Bridge Rail	Concrete and Metal Railing	Other Bridge Railing	60
Span 81	Expansion Joint over Bent 80	Standard Joint	Pourable Joint Seal	34
Span 81	Beam 1 Far Bearing	Fixed Bearing	Fixed Bearing	1

Elements Verified

Location	Name	Component	Element Name	Amount
Span 81	Beam 1 Near Bearing	Fixed Bearing	Fixed Bearing	1
Span 81	Beam 2 Far Bearing	Fixed Bearing	Fixed Bearing	1
Span 81	Beam 2 Near Bearing	Fixed Bearing	Fixed Bearing	1
Span 81	Beam 3 Far Bearing	Fixed Bearing	Fixed Bearing	1
Span 81	Beam 3 Near Bearing	Fixed Bearing	Fixed Bearing	1
Span 81	Beam 4 Far Bearing	Fixed Bearing	Fixed Bearing	1
Span 81	Beam 4 Near Bearing	Fixed Bearing	Fixed Bearing	1
Span 82	Deck	Reinforced Concrete Deck	Reinforced Concrete Deck	2022
Span 82	Beam 1	Prestressed Concrete Girder	Prestressed Concrete Open Girder/Beam	60
Span 82	Beam 2	Prestressed Concrete Girder	Prestressed Concrete Open Girder/Beam	60
Span 82	Beam 3	Prestressed Concrete Girder	Prestressed Concrete Open Girder/Beam	60
Span 82	Beam 4	Prestressed Concrete Girder	Prestressed Concrete Open Girder/Beam	60
Span 82	Left Bridge Rail	Concrete and Metal Railing	Other Bridge Railing	60
Span 82	Right Bridge Rail	Concrete and Metal Railing	Other Bridge Railing	60
Span 82	Expansion Joint over Bent 81	Standard Joint	Pourable Joint Seal	34
Span 82	Beam 1 Far Bearing	Fixed Bearing	Fixed Bearing	1
Span 82	Beam 1 Near Bearing	Fixed Bearing	Fixed Bearing	1
Span 82	Beam 2 Far Bearing	Fixed Bearing	Fixed Bearing	1
Span 82	Beam 2 Near Bearing	Fixed Bearing	Fixed Bearing	1
Span 82	Beam 3 Far Bearing	Fixed Bearing	Fixed Bearing	1
Span 82	Beam 3 Near Bearing	Fixed Bearing	Fixed Bearing	1
Span 82	Beam 4 Far Bearing	Fixed Bearing	Fixed Bearing	1
Span 82	Beam 4 Near Bearing	Fixed Bearing	Fixed Bearing	1
Span 83	Deck	Reinforced Concrete Deck	Reinforced Concrete Deck	2022
Span 83	Beam 1	Prestressed Concrete Girder	Prestressed Concrete Open Girder/Beam	60
Span 83	Beam 2	Prestressed Concrete Girder	Prestressed Concrete Open Girder/Beam	60
Span 83	Beam 3	Prestressed Concrete Girder	Prestressed Concrete Open Girder/Beam	60
Span 83	Beam 4	Prestressed Concrete Girder	Prestressed Concrete Open Girder/Beam	60
Span 83	Left Bridge Rail	Concrete and Metal Railing	Other Bridge Railing	60
Span 83	Right Bridge Rail	Concrete and Metal Railing	Other Bridge Railing	60
Span 83	Expansion Joint over Bent 82	Standard Joint	Pourable Joint Seal	34
Span 83	Beam 1 Far Bearing	Fixed Bearing	Fixed Bearing	1
Span 83	Beam 1 Near Bearing	Fixed Bearing	Fixed Bearing	1
Span 83	Beam 2 Far Bearing	Fixed Bearing	Fixed Bearing	1
Span 83	Beam 2 Near Bearing	Fixed Bearing	Fixed Bearing	1
Span 83	Beam 3 Far Bearing	Fixed Bearing	Fixed Bearing	1
Span 83	Beam 3 Near Bearing	Fixed Bearing	Fixed Bearing	1
Span 83	Beam 4 Far Bearing	Fixed Bearing	Fixed Bearing	1
Span 83	Beam 4 Near Bearing	Fixed Bearing	Fixed Bearing	1
Span 84	Deck	Reinforced Concrete Deck	Reinforced Concrete Deck	2022
Span 84	Beam 1	Prestressed Concrete Girder	Prestressed Concrete Open Girder/Beam	60
Span 84	Beam 2	Prestressed Concrete Girder	Prestressed Concrete Open Girder/Beam	60
Span 84	Beam 3	Prestressed Concrete Girder	Prestressed Concrete Open Girder/Beam	60
Span 84	Beam 4	Prestressed Concrete Girder	Prestressed Concrete Open Girder/Beam	60

Elements Verified

Location	Name	Component	Element Name	Amount
Span 84	Left Bridge Rail	Concrete and Metal Railing	Other Bridge Railing	60
Span 84	Right Bridge Rail	Concrete and Metal Railing	Other Bridge Railing	60
Span 84	Expansion Joint over Bent 83	Standard Joint	Pourable Joint Seal	34
Span 84	Beam 1 Far Bearing	Fixed Bearing	Fixed Bearing	1
Span 84	Beam 1 Near Bearing	Fixed Bearing	Fixed Bearing	1
Span 84	Beam 2 Far Bearing	Fixed Bearing	Fixed Bearing	1
Span 84	Beam 2 Near Bearing	Fixed Bearing	Fixed Bearing	1
Span 84	Beam 3 Far Bearing	Fixed Bearing	Fixed Bearing	1
Span 84	Beam 3 Near Bearing	Fixed Bearing	Fixed Bearing	1
Span 84	Beam 4 Far Bearing	Fixed Bearing	Fixed Bearing	1
Span 84	Beam 4 Near Bearing	Fixed Bearing	Fixed Bearing	1
Span 85	Deck	Reinforced Concrete Deck	Reinforced Concrete Deck	2022
Span 85	Beam 1	Prestressed Concrete Girder	Prestressed Concrete Open Girder/Beam	60
Span 85	Beam 2	Prestressed Concrete Girder	Prestressed Concrete Open Girder/Beam	60
Span 85	Beam 3	Prestressed Concrete Girder	Prestressed Concrete Open Girder/Beam	60
Span 85	Beam 4	Prestressed Concrete Girder	Prestressed Concrete Open Girder/Beam	60
Span 85	Left Bridge Rail	Concrete and Metal Railing	Other Bridge Railing	60
Span 85	Right Bridge Rail	Concrete and Metal Railing	Other Bridge Railing	60
Span 85	Expansion Joint over Bent 84	Standard Joint	Pourable Joint Seal	34
Span 85	Beam 1 Far Bearing	Fixed Bearing	Fixed Bearing	1
Span 85	Beam 1 Near Bearing	Fixed Bearing	Fixed Bearing	1
Span 85	Beam 2 Far Bearing	Fixed Bearing	Fixed Bearing	1
Span 85	Beam 2 Near Bearing	Fixed Bearing	Fixed Bearing	1
Span 85	Beam 3 Far Bearing	Fixed Bearing	Fixed Bearing	1
Span 85	Beam 3 Near Bearing	Fixed Bearing	Fixed Bearing	1
Span 85	Beam 4 Far Bearing	Fixed Bearing	Fixed Bearing	1
Span 85	Beam 4 Near Bearing	Fixed Bearing	Fixed Bearing	1
Span 86	Deck	Reinforced Concrete Deck	Reinforced Concrete Deck	2022
Span 86	Beam 1	Prestressed Concrete Girder	Prestressed Concrete Open Girder/Beam	60
Span 86	Beam 2	Prestressed Concrete Girder	Prestressed Concrete Open Girder/Beam	60
Span 86	Beam 3	Prestressed Concrete Girder	Prestressed Concrete Open Girder/Beam	60
Span 86	Beam 4	Prestressed Concrete Girder	Prestressed Concrete Open Girder/Beam	60
Span 86	Left Bridge Rail	Concrete and Metal Railing	Other Bridge Railing	60
Span 86	Right Bridge Rail	Concrete and Metal Railing	Other Bridge Railing	60
Span 86	Expansion Joint over Bent 85	Standard Joint	Pourable Joint Seal	34
Span 86	Beam 1 Far Bearing	Fixed Bearing	Fixed Bearing	1
Span 86	Beam 1 Near Bearing	Fixed Bearing	Fixed Bearing	1
Span 86	Beam 2 Far Bearing	Fixed Bearing	Fixed Bearing	1
Span 86	Beam 2 Near Bearing	Fixed Bearing	Fixed Bearing	1
Span 86	Beam 3 Far Bearing	Fixed Bearing	Fixed Bearing	1
Span 86	Beam 3 Near Bearing	Fixed Bearing	Fixed Bearing	1
Span 86	Beam 4 Far Bearing	Fixed Bearing	Fixed Bearing	1
Span 86	Beam 4 Near Bearing	Fixed Bearing	Fixed Bearing	1
Span 87	Deck	Reinforced Concrete Deck	Reinforced Concrete Deck	2022

Elements Verified

Location	Name	Component	Element Name	Amount
Span 87	Beam 1	Prestressed Concrete Girder	Prestressed Concrete Open Girder/Beam	60
Span 87	Beam 2	Prestressed Concrete Girder	Prestressed Concrete Open Girder/Beam	60
Span 87	Beam 3	Prestressed Concrete Girder	Prestressed Concrete Open Girder/Beam	60
Span 87	Beam 4	Prestressed Concrete Girder	Prestressed Concrete Open Girder/Beam	60
Span 87	Left Bridge Rail	Concrete and Metal Railing	Other Bridge Railing	60
Span 87	Right Bridge Rail	Concrete and Metal Railing	Other Bridge Railing	60
Span 87	Expansion Joint over Bent 86	Standard Joint	Pourable Joint Seal	34
Span 87	Beam 1 Far Bearing	Fixed Bearing	Fixed Bearing	1
Span 87	Beam 1 Near Bearing	Fixed Bearing	Fixed Bearing	1
Span 87	Beam 2 Far Bearing	Fixed Bearing	Fixed Bearing	1
Span 87	Beam 2 Near Bearing	Fixed Bearing	Fixed Bearing	1
Span 87	Beam 3 Far Bearing	Fixed Bearing	Fixed Bearing	1
Span 87	Beam 3 Near Bearing	Fixed Bearing	Fixed Bearing	1
Span 87	Beam 4 Far Bearing	Fixed Bearing	Fixed Bearing	1
Span 87	Beam 4 Near Bearing	Fixed Bearing	Fixed Bearing	1
Span 88	Deck	Reinforced Concrete Deck	Reinforced Concrete Deck	2022
Span 88	Beam 1	Prestressed Concrete Girder	Prestressed Concrete Open Girder/Beam	60
Span 88	Beam 2	Prestressed Concrete Girder	Prestressed Concrete Open Girder/Beam	60
Span 88	Beam 3	Prestressed Concrete Girder	Prestressed Concrete Open Girder/Beam	60
Span 88	Beam 4	Prestressed Concrete Girder	Prestressed Concrete Open Girder/Beam	60
Span 88	Left Bridge Rail	Concrete and Metal Railing	Other Bridge Railing	60
Span 88	Right Bridge Rail	Concrete and Metal Railing	Other Bridge Railing	60
Span 88	Expansion Joint over Bent 87	Standard Joint	Pourable Joint Seal	34
Span 88	Beam 1 Far Bearing	Fixed Bearing	Fixed Bearing	1
Span 88	Beam 1 Near Bearing	Fixed Bearing	Fixed Bearing	1
Span 88	Beam 2 Far Bearing	Fixed Bearing	Fixed Bearing	1
Span 88	Beam 2 Near Bearing	Fixed Bearing	Fixed Bearing	1
Span 88	Beam 3 Far Bearing	Fixed Bearing	Fixed Bearing	1
Span 88	Beam 3 Near Bearing	Fixed Bearing	Fixed Bearing	1
Span 88	Beam 4 Far Bearing	Fixed Bearing	Fixed Bearing	1
Span 88	Beam 4 Near Bearing	Fixed Bearing	Fixed Bearing	1
Span 89	Deck	Reinforced Concrete Deck	Reinforced Concrete Deck	2022
Span 89	Beam 1	Prestressed Concrete Girder	Prestressed Concrete Open Girder/Beam	60
Span 89	Beam 2	Prestressed Concrete Girder	Prestressed Concrete Open Girder/Beam	60
Span 89	Beam 3	Prestressed Concrete Girder	Prestressed Concrete Open Girder/Beam	60
Span 89	Beam 4	Prestressed Concrete Girder	Prestressed Concrete Open Girder/Beam	60
Span 89	Left Bridge Rail	Concrete and Metal Railing	Other Bridge Railing	60
Span 89	Right Bridge Rail	Concrete and Metal Railing	Other Bridge Railing	60
Span 89	Expansion Joint over Bent 88	Standard Joint	Pourable Joint Seal	34
Span 89	Beam 1 Far Bearing	Fixed Bearing	Fixed Bearing	1
Span 89	Beam 1 Near Bearing	Fixed Bearing	Fixed Bearing	1
Span 89	Beam 2 Far Bearing	Fixed Bearing	Fixed Bearing	1
Span 89	Beam 2 Near Bearing	Fixed Bearing	Fixed Bearing	1
Span 89	Beam 3 Far Bearing	Fixed Bearing	Fixed Bearing	1

Elements Verified

Location	Name	Component	Element Name	Amount
Span 89	Beam 3 Near Bearing	Fixed Bearing	Fixed Bearing	1
Span 89	Beam 4 Far Bearing	Fixed Bearing	Fixed Bearing	1
Span 89	Beam 4 Near Bearing	Fixed Bearing	Fixed Bearing	1
Span 90	Deck	Reinforced Concrete Deck	Reinforced Concrete Deck	2022
Span 90	Beam 1	Prestressed Concrete Girder	Prestressed Concrete Open Girder/Beam	60
Span 90	Beam 2	Prestressed Concrete Girder	Prestressed Concrete Open Girder/Beam	60
Span 90	Beam 3	Prestressed Concrete Girder	Prestressed Concrete Open Girder/Beam	60
Span 90	Beam 4	Prestressed Concrete Girder	Prestressed Concrete Open Girder/Beam	60
Span 90	Left Bridge Rail	Concrete and Metal Railing	Other Bridge Railing	60
Span 90	Right Bridge Rail	Concrete and Metal Railing	Other Bridge Railing	60
Span 90	Expansion Joint over Bent 89	Standard Joint	Pourable Joint Seal	34
Span 90	Beam 1 Far Bearing	Fixed Bearing	Fixed Bearing	1
Span 90	Beam 1 Near Bearing	Fixed Bearing	Fixed Bearing	1
Span 90	Beam 2 Far Bearing	Fixed Bearing	Fixed Bearing	1
Span 90	Beam 2 Near Bearing	Fixed Bearing	Fixed Bearing	1
Span 90	Beam 3 Far Bearing	Fixed Bearing	Fixed Bearing	1
Span 90	Beam 3 Near Bearing	Fixed Bearing	Fixed Bearing	1
Span 90	Beam 4 Far Bearing	Fixed Bearing	Fixed Bearing	1
Span 90	Beam 4 Near Bearing	Fixed Bearing	Fixed Bearing	1
Span 91	Deck	Reinforced Concrete Deck	Reinforced Concrete Deck	2022
Span 91	Beam 1	Prestressed Concrete Girder	Prestressed Concrete Open Girder/Beam	60
Span 91	Beam 2	Prestressed Concrete Girder	Prestressed Concrete Open Girder/Beam	60
Span 91	Beam 3	Prestressed Concrete Girder	Prestressed Concrete Open Girder/Beam	60
Span 91	Beam 4	Prestressed Concrete Girder	Prestressed Concrete Open Girder/Beam	60
Span 91	Left Bridge Rail	Concrete and Metal Railing	Other Bridge Railing	60
Span 91	Right Bridge Rail	Concrete and Metal Railing	Other Bridge Railing	60
Span 91	Expansion Joint over Bent 90	Standard Joint	Pourable Joint Seal	34
Span 91	Beam 1 Far Bearing	Fixed Bearing	Fixed Bearing	1
Span 91	Beam 1 Near Bearing	Fixed Bearing	Fixed Bearing	1
Span 91	Beam 2 Far Bearing	Fixed Bearing	Fixed Bearing	1
Span 91	Beam 2 Near Bearing	Fixed Bearing	Fixed Bearing	1
Span 91	Beam 3 Far Bearing	Fixed Bearing	Fixed Bearing	1
Span 91	Beam 3 Near Bearing	Fixed Bearing	Fixed Bearing	1
Span 91	Beam 4 Far Bearing	Fixed Bearing	Fixed Bearing	1
Span 91	Beam 4 Near Bearing	Fixed Bearing	Fixed Bearing	1
Span 92	Deck	Reinforced Concrete Deck	Reinforced Concrete Deck	2022
Span 92	Beam 1	Prestressed Concrete Girder	Prestressed Concrete Open Girder/Beam	60
Span 92	Beam 2	Prestressed Concrete Girder	Prestressed Concrete Open Girder/Beam	60
Span 92	Beam 3	Prestressed Concrete Girder	Prestressed Concrete Open Girder/Beam	60
Span 92	Beam 4	Prestressed Concrete Girder	Prestressed Concrete Open Girder/Beam	60
Span 92	Left Bridge Rail	Concrete and Metal Railing	Other Bridge Railing	60
Span 92	Right Bridge Rail	Concrete and Metal Railing	Other Bridge Railing	60
Span 92	Expansion Joint over Bent 91	Standard Joint	Pourable Joint Seal	34
Span 92	Beam 1 Far Bearing	Fixed Bearing	Fixed Bearing	1

Elements Verified

Location	Name	Component	Element Name	Amount
Span 92	Beam 1 Near Bearing	Fixed Bearing	Fixed Bearing	1
Span 92	Beam 2 Far Bearing	Fixed Bearing	Fixed Bearing	1
Span 92	Beam 2 Near Bearing	Fixed Bearing	Fixed Bearing	1
Span 92	Beam 3 Far Bearing	Fixed Bearing	Fixed Bearing	1
Span 92	Beam 3 Near Bearing	Fixed Bearing	Fixed Bearing	1
Span 92	Beam 4 Far Bearing	Fixed Bearing	Fixed Bearing	1
Span 92	Beam 4 Near Bearing	Fixed Bearing	Fixed Bearing	1
Span 93	Deck	Reinforced Concrete Deck	Reinforced Concrete Deck	2022
Span 93	Beam 1	Prestressed Concrete Girder	Prestressed Concrete Open Girder/Beam	60
Span 93	Beam 2	Prestressed Concrete Girder	Prestressed Concrete Open Girder/Beam	60
Span 93	Beam 3	Prestressed Concrete Girder	Prestressed Concrete Open Girder/Beam	60
Span 93	Beam 4	Prestressed Concrete Girder	Prestressed Concrete Open Girder/Beam	60
Span 93	Left Bridge Rail	Concrete and Metal Railing	Other Bridge Railing	60
Span 93	Right Bridge Rail	Concrete and Metal Railing	Other Bridge Railing	60
Span 93	Expansion Joint over Bent 92	Standard Joint	Pourable Joint Seal	34
Span 93	Beam 1 Far Bearing	Fixed Bearing	Fixed Bearing	1
Span 93	Beam 1 Near Bearing	Fixed Bearing	Fixed Bearing	1
Span 93	Beam 2 Far Bearing	Fixed Bearing	Fixed Bearing	1
Span 93	Beam 2 Near Bearing	Fixed Bearing	Fixed Bearing	1
Span 93	Beam 3 Far Bearing	Fixed Bearing	Fixed Bearing	1
Span 93	Beam 3 Near Bearing	Fixed Bearing	Fixed Bearing	1
Span 93	Beam 4 Far Bearing	Fixed Bearing	Fixed Bearing	1
Span 93	Beam 4 Near Bearing	Fixed Bearing	Fixed Bearing	1
Span 94	Deck	Reinforced Concrete Deck	Reinforced Concrete Deck	2022
Span 94	Beam 1	Prestressed Concrete Girder	Prestressed Concrete Open Girder/Beam	60
Span 94	Beam 2	Prestressed Concrete Girder	Prestressed Concrete Open Girder/Beam	60
Span 94	Beam 3	Prestressed Concrete Girder	Prestressed Concrete Open Girder/Beam	60
Span 94	Beam 4	Prestressed Concrete Girder	Prestressed Concrete Open Girder/Beam	60
Span 94	Left Bridge Rail	Concrete and Metal Railing	Other Bridge Railing	60
Span 94	Right Bridge Rail	Concrete and Metal Railing	Other Bridge Railing	60
Span 94	Expansion Joint over Bent 93	Standard Joint	Pourable Joint Seal	34
Span 94	Beam 1 Far Bearing	Fixed Bearing	Fixed Bearing	1
Span 94	Beam 1 Near Bearing	Fixed Bearing	Fixed Bearing	1
Span 94	Beam 2 Far Bearing	Fixed Bearing	Fixed Bearing	1
Span 94	Beam 2 Near Bearing	Fixed Bearing	Fixed Bearing	1
Span 94	Beam 3 Far Bearing	Fixed Bearing	Fixed Bearing	1
Span 94	Beam 3 Near Bearing	Fixed Bearing	Fixed Bearing	1
Span 94	Beam 4 Far Bearing	Fixed Bearing	Fixed Bearing	1
Span 94	Beam 4 Near Bearing	Fixed Bearing	Fixed Bearing	1
Span 95	Deck	Reinforced Concrete Deck	Reinforced Concrete Deck	2045
Span 95	Beam 1	Prestressed Concrete Girder	Prestressed Concrete Open Girder/Beam	60
Span 95	Beam 2	Prestressed Concrete Girder	Prestressed Concrete Open Girder/Beam	60
Span 95	Beam 3	Prestressed Concrete Girder	Prestressed Concrete Open Girder/Beam	60
Span 95	Beam 4	Prestressed Concrete Girder	Prestressed Concrete Open Girder/Beam	60

Elements Verified

Location	Name	Component	Element Name	Amount
Span 95	Left Bridge Rail	Concrete and Metal Railing	Other Bridge Railing	61
Span 95	Right Bridge Rail	Concrete and Metal Railing	Other Bridge Railing	61
Span 95	Expansion Joint over Bent 94	Standard Joint	Pourable Joint Seal	34
Span 95	Beam 1 Far Bearing	Fixed Bearing	Fixed Bearing	1
Span 95	Beam 1 Near Bearing	Fixed Bearing	Fixed Bearing	1
Span 95	Beam 2 Far Bearing	Fixed Bearing	Fixed Bearing	1
Span 95	Beam 2 Near Bearing	Fixed Bearing	Fixed Bearing	1
Span 95	Beam 3 Far Bearing	Fixed Bearing	Fixed Bearing	1
Span 95	Beam 3 Near Bearing	Fixed Bearing	Fixed Bearing	1
Span 95	Beam 4 Far Bearing	Fixed Bearing	Fixed Bearing	1
Span 95	Beam 4 Near Bearing	Fixed Bearing	Fixed Bearing	1
Bent 1	Cap 1	Reinforced Concrete Pier Cap	Reinforced Concrete Pier Cap	29
Bent 1	Pile 1	Reinforced Concrete Column	Reinforced Concrete Column	1
Bent 1	Pile 2	Reinforced Concrete Column	Reinforced Concrete Column	1
Bent 1	Footing	Reinforced Concrete Footing	Reinforced Concrete Pier Cap/Footing	31
Bent 1	Foundation Pile 1	Prestressed Concrete Footing Pile	Prestressed Concrete Pile	1
Bent 1	Foundation Pile 2	Prestressed Concrete Footing Pile	Prestressed Concrete Pile	1
Bent 1	Foundation Pile 3	Prestressed Concrete Footing Pile	Prestressed Concrete Pile	1
Bent 1	Foundation Pile 4	Prestressed Concrete Footing Pile	Prestressed Concrete Pile	1
Bent 1	Foundation Pile 5	Prestressed Concrete Footing Pile	Prestressed Concrete Pile	1
Bent 1	Foundation Pile 6	Prestressed Concrete Footing Pile	Prestressed Concrete Pile	1
Bent 1	Foundation Pile 7	Prestressed Concrete Footing Pile	Prestressed Concrete Pile	1
Bent 1	Foundation Pile 8	Prestressed Concrete Footing Pile	Prestressed Concrete Pile	1
Bent 1	Foundation Pile 9	Prestressed Concrete Footing Pile	Prestressed Concrete Pile	1
Bent 1	Foundation Pile 10	Prestressed Concrete Footing Pile	Prestressed Concrete Pile	1
End Bent 1	End Bent 1 Cap	Reinforced Concrete Pier Cap	Reinforced Concrete Pier Cap	36
End Bent 1	Abutment	Reinforced Concrete Abutment	Reinforced Concrete Abutment	34
Bent 2	Cap 1	Reinforced Concrete Pier Cap	Reinforced Concrete Pier Cap	29
Bent 2	Pile 1	Reinforced Concrete Column	Reinforced Concrete Column	1
Bent 2	Pile 2	Reinforced Concrete Column	Reinforced Concrete Column	1
Bent 2	Footing	Reinforced Concrete Footing	Reinforced Concrete Pier Cap/Footing	31
Bent 2	Foundation Pile 1	Prestressed Concrete Footing Pile	Prestressed Concrete Pile	1
Bent 2	Foundation Pile 2	Prestressed Concrete Footing Pile	Prestressed Concrete Pile	1
Bent 2	Foundation Pile 3	Prestressed Concrete Footing Pile	Prestressed Concrete Pile	1
Bent 2	Foundation Pile 4	Prestressed Concrete Footing Pile	Prestressed Concrete Pile	1
Bent 2	Foundation Pile 5	Prestressed Concrete Footing Pile	Prestressed Concrete Pile	1
Bent 2	Foundation Pile 6	Prestressed Concrete Footing Pile	Prestressed Concrete Pile	1
Bent 2	Foundation Pile 7	Prestressed Concrete Footing Pile	Prestressed Concrete Pile	1
Bent 2	Foundation Pile 8	Prestressed Concrete Footing Pile	Prestressed Concrete Pile	1
Bent 2	Foundation Pile 9	Prestressed Concrete Footing Pile	Prestressed Concrete Pile	1
Bent 2	Foundation Pile 10	Prestressed Concrete Footing Pile	Prestressed Concrete Pile	1
End Bent 2	End Bent 2 Cap	Reinforced Concrete Pier Cap	Reinforced Concrete Pier Cap	36
End Bent 2	Abutment	Reinforced Concrete Abutment	Reinforced Concrete Abutment	34
Bent 3	Cap 1	Reinforced Concrete Pier Cap	Reinforced Concrete Pier Cap	29

General Inspection Notes

Bent 1 Foundation Pile 9

PILE HAS BEEN JACKETED

Bent 11 Foundation Pile 1

PILE HAS BEEN JACKETED

Bent 11 Foundation Pile 12

PILE HAS BEEN JACKETED

Bent 11 Foundation Pile 2

PILE HAS BEEN JACKETED

Bent 12 Foundation Pile 1

PILE HAS BEEN JACKETED

Bent 12 Foundation Pile 10

PILE HAS BEEN JACKETED

Bent 12 Foundation Pile 11

PILE HAS BEEN JACKETED

Bent 12 Foundation Pile 12

PILE HAS BEEN JACKETED

Bent 12 Foundation Pile 2

PILE HAS BEEN JACKETED

Bent 12 Foundation Pile 3

PILE HAS BEEN JACKETED

Bent 12 Foundation Pile 4

PILE HAS BEEN JACKETED

Bent 12 Foundation Pile 5

PILE HAS BEEN JACKETED

Bent 12 Foundation Pile 6

PILE HAS BEEN JACKETED

Bent 12 Foundation Pile 7

PILE HAS BEEN JACKETED

Bent 12 Foundation Pile 8

PILE HAS BEEN JACKETED

Bent 12 Foundation Pile 9

PILE HAS BEEN JACKETED

Bent 17 Foundation Pile 20

General Inspection Notes

PILE HAS BEEN JACKETED.

Bent 18 Foundation Pile 1

PILE HAS BEEN JACKETED.

Bent 18 Foundation Pile 10

PILE HAS BEEN JACKETED.

Bent 18 Foundation Pile 11

PILE HAS BEEN JACKETED.

Bent 18 Foundation Pile 12

PILE HAS BEEN JACKETED.

Bent 18 Foundation Pile 13

PILE HAS BEEN JACKETED.

Bent 18 Foundation Pile 14

PILE HAS BEEN JACKETED.

Bent 18 Foundation Pile 15

PILE HAS BEEN JACKETED.

Bent 18 Foundation Pile 16

PILE HAS BEEN JACKETED.

Bent 18 Foundation Pile 17

PILE HAS BEEN JACKETED.

Bent 18 Foundation Pile 18

PILE HAS BEEN JACKETED.

Bent 18 Foundation Pile 19

PILE HAS BEEN JACKETED.

Bent 18 Foundation Pile 2

PILE HAS BEEN JACKETED.

Bent 18 Foundation Pile 20

PILE HAS BEEN JACKETED.

Bent 18 Foundation Pile 21

PILE HAS BEEN JACKETED.

Bent 18 Foundation Pile 3

PILE HAS BEEN JACKETED.

Bent 18 Foundation Pile 4

PILE HAS BEEN JACKETED.

General Inspection Notes

Bent 18 Foundation Pile 5

PILE HAS BEEN JACKETED.

Bent 18 Foundation Pile 6

PILE HAS BEEN JACKETED.

Bent 18 Foundation Pile 7

PILE HAS BEEN JACKETED.

Bent 18 Foundation Pile 8

PILE HAS BEEN JACKETED.

Bent 18 Foundation Pile 9

PILE HAS BEEN JACKETED.

Bent 19 Foundation Pile 6

PILE HAS BEEN JACKETED.

Bent 19 Foundation Pile 7

PILE HAS BEEN JACKETED.

Bent 21 Foundation Pile 1

PILE HAS BEEN JACKETED.

Bent 23 Foundation Pile 1

PILE HAS BEEN JACKETED.

Bent 23 Foundation Pile 2

PILE HAS BEEN JACKETED.

Bent 23 Foundation Pile 3

PILE HAS BEEN JACKETED.

Bent 23 Foundation Pile 4

PILE HAS BEEN JACKETED.

Bent 23 Foundation Pile 6

PILE HAS BEEN JACKETED.

Bent 26 Foundation Pile 11

PILE HAS BEEN JACKETED.

Bent 26 Foundation Pile 7

PILE HAS BEEN JACKETED.

Bent 27 Foundation Pile 11

PILE HAS BEEN JACKETED.

Bent 27 Foundation Pile 12

General Inspection Notes

PILE HAS BEEN JACKETED.

Bent 27 Foundation Pile 4

PILE HAS BEEN JACKETED.

Bent 28 Foundation Pile 1

PILE HAS BEEN JACKETED.

Bent 28 Foundation Pile 11

PILE HAS BEEN JACKETED.

Bent 29 Foundation Pile 1

PILE HAS BEEN JACKETED.

Bent 29 Foundation Pile 5

PILE HAS BEEN JACKETED.

Bent 3 Foundation Pile 3

PILE HAS BEEN JACKETED

Bent 30 Foundation Pile 1

PILE HAS BEEN JACKETED.

Bent 30 Foundation Pile 10

PILE HAS BEEN JACKETED.

Bent 30 Foundation Pile 4

PILE HAS BEEN JACKETED.

Bent 30 Foundation Pile 6

PILE HAS BEEN JACKETED.

Bent 30 Foundation Pile 7

PILE HAS BEEN JACKETED.

Bent 31 Foundation Pile 10

PILE HAS BEEN JACKETED.

Bent 31 Foundation Pile 9

PILE HAS BEEN JACKETED.

Bent 32 Foundation Pile 10

PILE HAS BEEN JACKETED.

Bent 33 Foundation Pile 10

PILE HAS BEEN JACKETED.

Bent 33 Foundation Pile 9

PILE HAS BEEN JACKETED.

General Inspection Notes

Bent 35 Pile 6
PILE HAS BEEN JACKETED.

Bent 36 Pile 1
PILE HAS BEEN JACKETED

Bent 36 Pile 2
PILE HAS BEEN JACKETED

Bent 36 Pile 3
PILE HAS BEEN JACKETED

Bent 36 Pile 4
PILE HAS BEEN JACKETED

Bent 36 Pile 5
PILE HAS BEEN JACKETED

Bent 36 Pile 6
PILE HAS BEEN JACKETED

Bent 38 Pile 7
PILE HAS BEEN JACKETED.

Bent 39 Pile 1
PILE HAS BEEN JACKETED

Bent 39 Pile 6
PILE HAS BEEN JACKETED

Bent 4 Foundation Pile 1
PILE HAS BEEN JACKETED.

Bent 40 Pile 1
PILE HAS BEEN JACKETED.

Bent 40 Pile 6
PILE HAS BEEN JACKETED

Bent 42 Pile 7
PILE HAS BEEN JACKETED.

Bent 44 Pile 1
PILE HAS BEEN JACKETED

Bent 44 Pile 2
PILE HAS BEEN JACKETED

Bent 44 Pile 3

General Inspection Notes

PILE HAS BEEN JACKETED

Bent 44 Pile 4

PILE HAS BEEN JACKETED

Bent 44 Pile 5

PILE HAS BEEN JACKETED

Bent 44 Pile 6

PILE HAS BEEN JACKETED

Bent 46 Pile 2

PILE HAS BEEN JACKETED

Bent 46 Pile 4

PILE HAS BEEN JACKETED

Bent 48 Pile 3

PILE HAS BEEN JACKETED

Bent 48 Pile 6

PILE HAS BEEN JACKETED

Bent 53 Pile 6

PILE HAS BEEN JACKETED

Bent 54 Pile 7

PILE HAS BEEN JACKETED.

Bent 56 Pile 6

PILE HAS BEEN JACKETED.

Bent 59 Pile 6

PILE HAS BEEN JACKETED.

Bent 60 Pile 2

PILE HAS BEEN JACKETED.

Bent 60 Pile 6

PILE HAS BEEN JACKETED.

Bent 66 Pile 5

PILE HAS BEEN JACKETED.

Bent 66 Pile 6

PILE HAS BEEN JACKETED.

Bent 67 Pile 1

PILE HAS BEEN JACKETED.

General Inspection Notes

Bent 67 Pile 2
PILE HAS BEEN JACKETED.

Bent 67 Pile 3
PILE HAS BEEN JACKETED.

Bent 67 Pile 4
PILE HAS BEEN JACKETED.

Bent 67 Pile 5
PILE HAS BEEN JACKETED.

Bent 67 Pile 6
PILE HAS BEEN JACKETED.

Bent 69 Pile 3
PILE HAS BEEN JACKETED

Bent 69 Pile 4
PILE HAS BEEN JACKETED

Bent 69 Pile 5
PILE HAS BEEN JACKETED

Bent 69 Pile 6
PILE HAS BEEN JACKETED

Bent 7 Foundation Pile 1
PILE HAS BEEN JACKETED.

Bent 7 Foundation Pile 10
PILE HAS BEEN JACKETED.

Bent 7 Foundation Pile 11
PILE HAS BEEN JACKETED.

Bent 7 Foundation Pile 12
PILE HAS BEEN JACKETED.

Bent 7 Foundation Pile 2
PILE HAS BEEN JACKETED.

Bent 7 Foundation Pile 3
PILE HAS BEEN JACKETED.

Bent 7 Foundation Pile 4
PILE HAS BEEN JACKETED.

Bent 7 Foundation Pile 5

General Inspection Notes

PILE HAS BEEN JACKETED.

Bent 7 Foundation Pile 6

PILE HAS BEEN JACKETED.

Bent 7 Foundation Pile 7

PILE HAS BEEN JACKETED.

Bent 7 Foundation Pile 8

PILE HAS BEEN JACKETED.

Bent 7 Foundation Pile 9

PILE HAS BEEN JACKETED.

Bent 73 Pile 1

PILE HAS BEEN JACKETED.

Bent 73 Pile 5

PILE HAS BEEN JACKETED.

Bent 73 Pile 6

PILE HAS BEEN JACKETED.

Bent 78 Pile 1

PILE HAS BEEN JACKETED.

Bent 78 Pile 3

PILE HAS BEEN JACKETED.

Bent 78 Pile 5

PILE HAS BEEN JACKETED.

Bent 78 Pile 6

PILE HAS BEEN JACKETED.

Bent 78 Pile 7

PILE HAS BEEN JACKETED.

Bent 79 Pile 1

PILE HAS BEEN JACKETED.

Bent 79 Pile 2

PILE HAS BEEN JACKETED.

Bent 79 Pile 3

PILE HAS BEEN JACKETED.

Bent 79 Pile 4

PILE HAS BEEN JACKETED.

General Inspection Notes

Bent 79 Pile 5
PILE HAS BEEN JACKETED.

Bent 80 Pile 3
PILE HAS BEEN JACKETED.

Bent 80 Pile 4
PILE HAS BEEN JACKETED.

Bent 81 Pile 1
PILE HAS BEEN JACKETED.

Bent 81 Pile 2
PILE HAS BEEN JACKETED.

Bent 81 Pile 3
PILE HAS BEEN JACKETED.

Bent 81 Pile 4
PILE HAS BEEN JACKETED.

Bent 81 Pile 5
PILE HAS BEEN JACKETED.

Bent 81 Pile 6
PILE HAS BEEN JACKETED.

Bent 82 Pile 4
PILE HAS BEEN JACKETED.

Bent 82 Pile 5
PILE HAS BEEN JACKETED.

Bent 82 Pile 6
PILE HAS BEEN JACKETED.

Bent 82 Pile 7
PILE HAS BEEN JACKETED.

Bent 83 Pile 1
PILE HAS BEEN JACKETED.

Bent 83 Pile 2
PILE HAS BEEN JACKETED.

Bent 83 Pile 3
PILE HAS BEEN JACKETED.

Bent 83 Pile 4

General Inspection Notes

PILE HAS BEEN JACKETED.

Bent 83 Pile 5

PILE HAS BEEN JACKETED.

Bent 83 Pile 6

PILE HAS BEEN JACKETED.

Bent 84 Pile 1

PILE HAS BEEN JACKETED.

Bent 84 Pile 3

PILE HAS BEEN JACKETED.

Bent 84 Pile 6

PILE HAS BEEN JACKETED.

Bent 85 Pile 1

PILE HAS BEEN JACKETED.

Bent 85 Pile 4

PILE HAS BEEN JACKETED.

Bent 85 Pile 6

PILE HAS BEEN JACKETED.

Bent 86 Pile 1

PILE HAS BEEN JACKETED.

Bent 86 Pile 5

PILE HAS BEEN JACKETED.

Bent 86 Pile 6

PILE HAS BEEN JACKETED.

Bent 87 Pile 6

PILE HAS BEEN JACKETED.

Bent 88 Pile 1

PILE HAS BEEN JACKETED.

Bent 88 Pile 2

PILE HAS BEEN JACKETED.

Bent 88 Pile 4

PILE HAS BEEN JACKETED.

Bent 90 Pile 3

PILE HAS BEEN JACKETED.

National Bridge and NC Inspection Items

Structure Number: 070007

Inspection Date: 03/03/2022

National Bridge Inventory Items

Item	Grade Scale	Grade
Item 58: Deck	0 - 9 , N	6
Item 59: Superstructure	0 - 9 , N	5
Item 60: Substructure	0 - 9 , N	5 4
Item 61: Channel and Channel Protection	0 - 9 , N	7
Item 62: Culvert	0 - 9 , N	N
Item 71: Waterway Adequacy	0 - 9 , N	7
Item 72: Approach Roadway Alignment	0 - 9 , N	8

Note:
Items 58,59,60,62 reflect this inspection only.

For overall NBI coding grade, see cover sheet.

Note: If NBI Inspection Item is not present, code NBI item with "N"

NC SMU Inspection Items

Item	Grade Scale	Grade	Maint. Qty.	Maint. Code
Deck Debris	G, F, P, or C	G	0	3376
Drainage System	G, F, P, or C	G	0	3332
Utilities	G, F, P, or C	G		
Slope Protection	G, F, P, or C	F	330	3352
Scour	G, F, P, or C	G		
Wingwall	G, F, P, or C	G	0	3350
Field Scour Evaluation		G		
Drift	G, F, P, or C	G	0	3366
Fender System	G, F, P, or C	G	0	3364
Movable Span Machinery	G, F, P, or C			
Response to Live Load	G, F, P, or C	G		
Superstructure Paint Code		O		

Note: If NC SMU Inspection Item is not present, leave NC SMU item blank

Inspection Information

Item	Grade Scale	Grade
Sign Noticed Issued	YES/NO	N
Priority Maintenance Request Submitted	YES/NO	Y
Inspection Time	Hours	40
Traffic Control Time	Hours	16
Snooper Time	Hours	16
Ladder Used	YES/NO	N
Bucket Truck Used	YES/NO	N
Boat Used	YES/NO	Y
Other Equipment Used	YES/NO	N
Portion of Structure in > 3' of water	YES/NO	Y

National Bridge and NC SMU Inspection Item Details

Structure Number: 070007

Inspection Date: 03/03/2022

Item	Deck - Item 58	Grade 6	Maint Code	Qty. 0
Details	PATCHING AND CRACKING ALONG TOPSIDE AND UNDERSIDE SEVERAL AREAS OF SPALLING AND DELAMINATIONS IN UNDERSIDE AND IN OVERHANGS			
Item	Superstructure - Item 59	Grade 5	Maint Code	Qty. 0
Details	MANY PATCHES WERE MADE PRIOR TO 2022 INSPECTION TO CONCRETE GIRDER ENDS			
Item	Substructure - Item 60	Grade 5 4	Maint Code	Qty. 0
Details	<p style="color: red;">*Not Temp so stay 4*</p> GRADE DROPPED TO 3 ACCORDING TO TEMPORARY REPAIRS REPORT DATED 5/20/13 SEVERAL AREAS OF PATCHES ON CAPS SEVERAL SPALLS WITH EXPOSED REBAR BENT 6 CAP HAS A LARGE SPALL ON THE SOUTH FACE UNDER GIRDER 3 CAUSING AN 18" WIDE X 6" DEEP TRIANGULAR AREA OF BEARING LOSS CRACKING THROUGHOUT MOST PILES, FOOTINGS, AND FOUNDATION PILES SCALING ALONG WATERLINE OF FOUNDATION PILES OF BENTS 1-34 AND ALL PILES 35-94			
Item	Slope Protection	Grade F	Maint Code 3352	Qty. 330
Details	10' TALL X FULL WIDTH EROSION OF END BENT 2 SLOPE PROTECTION			
Item	General Comments and Misc Items	Grade	Maint Code	Qty. 0
Details	MINOR CRACKING IN ASPHALT OF BOTH APPROACHES			
Item	Portion of structure in > 3' of water (Y or N)	Grade Y	Maint Code	Qty. 0
Details	BENT 1-94			



Span 1 Deck: throughout both lanes, multiple sound patches [up to 6ft x up to 8ft]



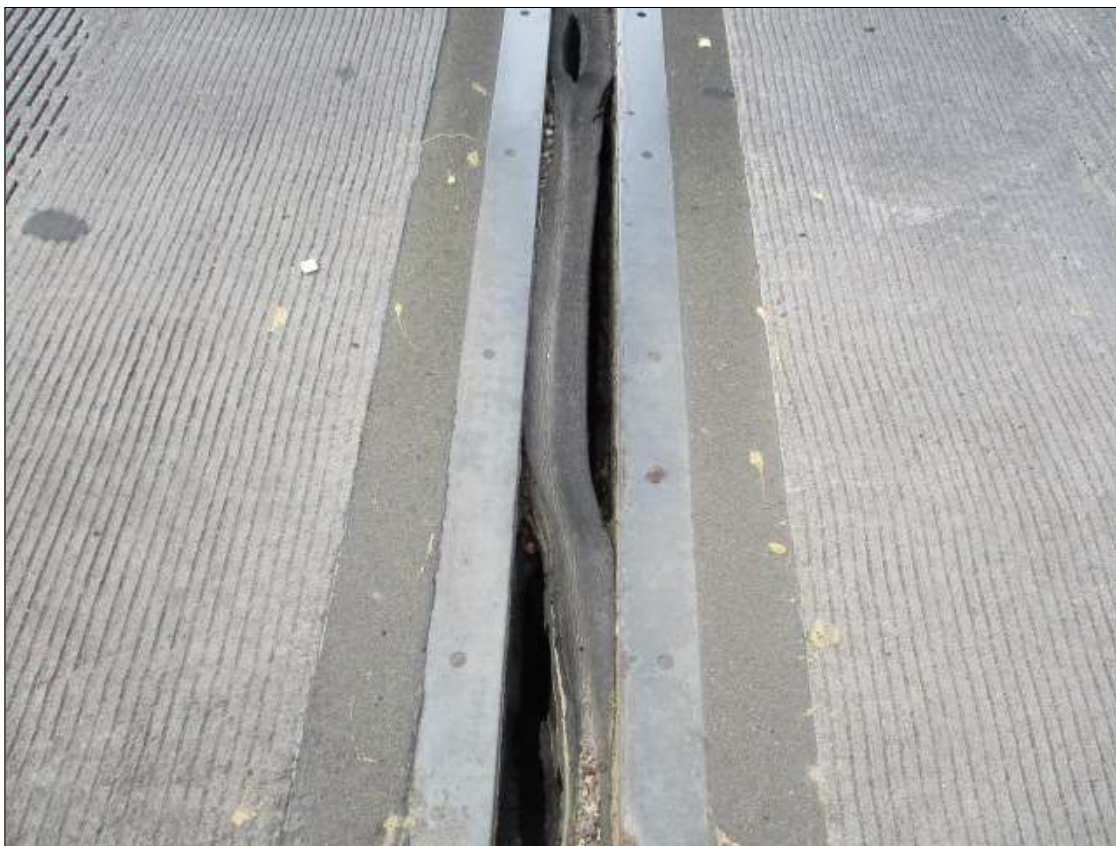
Span 13 Deck: PAR: 3' WIDE X 6" LONG X 3" DEEP SPALL WITH EXPOSED REBAR IN SOUTH BOUND LANE AT BENT 12 JOINT



Span 15 Deck: 1/32" LONGITUDINAL CRACKING ALONG JOINTS



Span 17 Expansion Joint over Bent 16: along joint, loss of seal adhesion [20ft x full depth]



Span 20 Expansion Joint over Bent 19: along joint, loss of seal adhesion [16ft x full depth]



Span 26 Deck: in left shoulder AND IN SOUTH BOUND LANE at bent 26, 2 spalls [4ft x 4in x up to 2in deep]



Span 34 Expansion Joint over Bent 33: At centerline, adhesion failure [1ft x full depth]



Span 36 Left Bridge Rail: 12" LONG X 6" WIDE X 1" TALL SPALL ON LEFT CURB AT 5' FROM BENT 35



Span 39 Expansion Joint over Bent 38: in left lane, loss of seal adhesion [up to 3ft x full depth]



Span 70 Left Bridge Rail: SPAN 70 LEFT RAIL IS BENT UPWARD 3" BETWEEN RAIL POST 4 AND 5.



Span 74 Deck: 15" WIDE X 3" LONG X 2" DEEP SPALL IN LEFT LANE AT BENT 74



End Bent 2 End Bent 2 Cap: 1/16" HORIZONTAL CRACKING UNDER LEFT OVERHANG



Span 1 Deck: 12" X 12" NEW REPAIR TO UNDERSIDE IN BAY 1 AT 25' FROM END BENT 1 ADJACENT TO GIRDEF
2



Bent 1 Cap 1: 1/32" VERTICAL CRACKING ON CAP



Span 1 Beam 1: West face of bottom flange at bent 1, spall [4in x 3.5in x up to 2in deep] with [1] exposed strand [no section loss]



Span 3 Beam 1: [PAR] bottom left flange at bent 2, spall [12in x 8in x 3in deep] with [2] two exposed rusted stirrup [up to 1/16in section loss]



Bent 2 Pile 2: along East face, sound patch [up to 6ft x up to full width] WITH 1/32" VERTICAL CRACKING



Span 4 Beam 2: 8" LONG X 8" TALL NEW PATCH ON BOTTOM LEFT FLANGE AT BENT 3



Span 4 Beam 4: 10" LONG X 8" TALL NEW PATCH ON BOTTOM LEFT FLANGE AT BENT 3



Span 5 Beam 1: 12" LONG X 15" TALL NEW PATCH ON BOTTOM LEFT FLANGE AT BENT 5



Span 6 Beam 1: 12" LONG X 15" TALL NEW PATCH ON BOTTOM LEFT FLANGE AT BENT 5



Span 5 Beam 2: 6" LONG X 6" TALL NEW PATCH ON BOTTOM RIGHT FLANGE AT BENT 4



Bent 6 Cap 1: PAR: 4' LONG X 2' TALL X 10" DEEP SPALL WITH EXPOSED REBAR ON SOUTH FACE UNDER GIRDER 3 WITH 18" LONG X 6" DEEP TRIANGULAR AREA OF LOSS OF BEARING



Span 6 Beam 3 Far Bearing: PAR: 18" WIDE X 6" DEEP TRIANGULAR AREA OF LOSS OF BEARING AT BENT 6 CAP DUE TO LARGE SPALL ON SOUTH FACE OF CAP



Span 6 Beam 4: 10" LONG X 8" TALL NEW PATCH ON BOTTOM LEFT FLANGE AT BENT 6



Span 6 Beam 3: 6" LONG X 2" WIDE NEW PATCH ON UNDERSIDE OF BOTTOM FLANGE AT BENT 6



Span 6 Beam 2: 24" LONG X 18" TALL NEW PATCH ON BOTTOM RIGHT FLANGE AT BENT 6



Bent 6 Cap 1: 6' LONG X 12" TALL NEW REPAIR TO SOUTH FACE UNDER BAY 1



Span 7 Beam 3: 10" LONG X 10" TALL NEW PATCH ON BOTTOM RIGHT FLANGE AT BENT 7



Span 11 Deck: underside of right overhang, spall/failed patch [18in diameter x 2in deep] with exposed rusted reinforcing [up to 10% section loss]



Span 10 Beam 1: 10" LONG X 8" TALL NEW PATCH ON BOTTOM LEFT FLANGE AT BENT 10



Span 11 Beam 4: East face of bottom flange at bent 10, SPALL [8in x 8in] WITH EXPOSED REBAR WITH NO SECTION LOSS



Bent 10 Cap 1: 5' LONG X FULL WIDTH NEW REPAIR TO UNDERSIDE OF CAP



Span 13 Deck: 18" LONG X 6" X TALL X 6" WIDE SPALL WITH EXPOSED REBAR IN BAY 1 DIAPHRAGM AT BENT



Span 13 Beam 2: 10" LONG X 18" TALL NEW PATCH ON BOTTOM LEFT FLANGE AT BENT 13



Span 15 Deck: SPAN 15 BOTTOM OF LEFT OVERHANG HAS A SPALLED AREA WITH REBAR EXPOSED. LOCATED 8' FROM BENT 14. AREA IS: 8" x 18" x 1 1/2" DEEP.



Span 17 Beam 3: PAR: bottom left flange at bent 16, active corrosion with section loss [5in x in x 3/4in avg rem]



Span 17 Beam 1: SPAN 17 BEAM 1 RIGHT BOTTOM FLANGE AT 3RD CROSS BRACE. HAS A AREA OF SECTION LOSS WITH 5/8" REMAINING. AREA IS: FROM EDGE BACK 7" x 19". Arrested section loss with repair plate in place.



Span 17 Beam 4: PAR: 1/2" REMAINING ON BOTTOM RIGHT FLANGE FOR 3" WIDE X 3" LONG ON NORTH SIDE OF SPLICE NUMBER 1 IN SPAN 18



5' LONG X FULL WIDTH REPAIR TO BOTTOM FLANGE AND FULL HEIGHT X UP TO 3' LONG REPAIR TO WEB OF GIRDER 4 SPAN 18 BETWEEN SPLICES



Span 20 Beam 3: PAR: SPAN 20 BEAM 3 RIGHT BOTTOM FLANGE OVER BENT 19. HAS A SPALL WITH EXPOSED STRANDS 12" LONG X 8" TALL X 3" DEEP



Span 21 Beam 3: 8" LONG X 18" TALL NEW REPAIR TO BOTTOM LEFT FLANGE AT BENT 21



Span 21 Beam 2: 8" LONG X 18" TALL NEW REPAIR TO BOTTOM RIGHT FLANGE AT BENT 21



Span 23 Beam 1: West face of bottom flange at bent 23, spall [4in x 4in x 2in deep] with [1] one exposed rusted strand [no section loss]



Span 23 Beam 3: underside of bottom flange at bent 23, spall [4in x 2in x 1in deep] with exposed rusted reinforcing [up to 10% section loss]



Span 24 Beam 4: 8" LONG X 8" TALL NEW REPAIR TO BOTTOM LEFT FLANGE AT BENT 24



Span 24 Beam 2: 10" LONG X 10" TALL NEW REPAIR TO BOTTOM RIGHT FLANGE AT BENT 24



Span 25 Beam 4: 6" LONG X 6" TALL NEW REPAIR TO BOTTOM RIGHT FLANGE AT BENT 25



Span 25 Beam 4: 10" LONG X 10" TALL NEW REPAIR TO BOTTOM LEFT FLANGE AT BENT 25



Span 25 Beam 3: 10" LONG X 8" TALL NEW REPAIR TO BOTTOM RIGHT FLANGE AT BENT 25



Span 25 Beam 1: 10" LONG X 10" TALL NEW REPAIR TO BOTTOM LEFT FLANGE AT BENT 25



Bent 27 Cap 1: 11' X FULL HEIGHT NEW REPAIR ON NORTH FACE OF BENT 27 CAP UNDER GIRDER 2 AND BAY



Span 28 Beam 1: 8" LONG X 8" WIDE NEW REPAIR TO UNDERSIDE OF BOTTOM FLANGE AT 8' FROM BENT 27



Span 28 Beam 1: 10" LONG X 10" TALL NEW REPAIR TO BOTTOM LEFT FLANGE AT BENT 28



Span 28 Beam 3: 8" LONG X 8" TALL NEW REPAIR TO BOTTOM LEFT FLANGE AT BENT 28



Span 28 Beam 3: 6" LONG X 4" TALL NEW REPAIR TO BOTTOM RIGHT FLANGE AT BENT 28



Span 30 Beam 4: 8" LONG X 8" TALL NEW REPAIR TO BOTTOM LEFT FLANGE AT BENT 30



Span 32 Beam 1: 18" LONG X 12" TALL NEW REPAIR TO BOTTOM RIGHT FLANGE AT BENT 32



Span 33 Beam 4: 12" LONG X 10" TALL NEW REPAIR TO BOTTOM LEFT FLANGE AT BENT 32



Span 33 Beam 4: 10" LONG X 10" TALL NEW REPAIR TO BOTTOM RIGHT FLANGE AT BENT 32



Bent 33 Cap 1: at East end of cap, spall [5in x 9in x up to 1in deep] with [1] one exposed rusted reinforcing [no section loss]



Span 34 Beam 3: 12" LONG X 10" TALL NEW REPAIR TO BOTTOM RIGHT FLANGE AT BENT 34



Span 35 Beam 3: 8" LONG X 12" TALL NEW REPAIR TO BOTTOM RIGHT FLANGE AT BENT 35



Span 35 Beam 3: 12" LONG X 8" TALL NEW REPAIR TO BOTTOM LEFT FLANGE AT BENT 35



Span 38 Beam 4: PAR: 12" LONG X 8" TALL X 3" DEEP SPALL WITH EXPOSED STRANDS WITH SOME SECTION LOSS ON BOTTOM RIGHT FLANGE AT BENT 37



Span 38 Beam 4: 6" LONG X 6" TALL NEW REPAIR TO BOTTOM RIGHT FLANGE AT BENT 38



Span 41 Deck: 12" DIAMETER X 1" DEEP SPALL WITH EXPOSED REBAR IN UNDERSIDE OF BAY 1 AT BENT 40



Span 42 Deck: AREA OF POORLY CONSOLIDATED CONCRETE IN RIGHT OVERHANG



Span 42 Deck: PAR: 30" DIAMETER X 2" DEEP SPALL WITH EXPOSED REBAR WITH SECTION LOSS IN BAY 1 AT 12' FROM BENT 41



Span 43 Beam 4: 12" LONG X 10" TALL NEW REPAIR TO BOTTOM RIGHT FLANGE AT BENT 43



Span 44 Beam 3: 6" LONG X 4" TALL NEW REPAIR TO BOTTOM RIGHT FLANGE AT BENT 43



Span 43 Beam 2: 10" LONG X 18" TALL NEW REPAIR TO BOTTOM LEFT FLANGE AT BENT 43



Span 45 Beam 4: 6" LONG X 4" TALL NEW REPAIR TO BOTTOM RIGHT FLANGE AT BENT 45



Span 45 Beam 2: 10" LONG X 10" TALL NEW REPAIR TO BOTTOM RIGHT FLANGE AT BENT 45



Span 45 Beam 2: 6" LONG X 12" TALL NEW REPAIR TO BOTTOM LEFT FLANGE AT BENT 45



Span 46 Beam 3: 10" LONG X 10" TALL NEW REPAIR TO BOTTOM LEFT FLANGE AT BENT 45



Span 47 Beam 2: PAR: 8" LONG X 8" TALL X 3" DEEP SPALL WITH EXPOSED STRANDS WITH SECTION LOSS ON BOTTOM RIGHT FLANGE AT BENT 46



Bent 47 Cap 1: 1/8" HORIZONTAL CRACKING ON NORTH FACE UNDER GIRDER 2



Span 49 Deck: 12" LONG X 6" WIDE X 1" DEEP SPALL IN BAY 2 AT 30' FROM BENT 48



Span 49 Deck: 18" DIAMETER X 1" DEEP SPALL WITH EXPOSED REBAR WITH NO SECTION LOSS IN BAY 3 AT 4' NORTH OF 1ST INTERMEDIATE DIAPHRAGM



Span 49 Deck: 12" DIAMETER X 1" DEEP SPALL WITH EXPOSED REBAR WITH NO SECTION LOSS IN BAY 3 AT THE 1ST INTERMEDIATE DIAPHRAGM



Span 49 Deck: underside of left overhang at 10' from bent 49, spall [18in diameter x 2in deep] with exposed rusted reinforcing [no section loss]



Span 51 Beam 1: 10" LONG X 8" TALL NEW REPAIR TO BOTTOM RIGHT FLANGE AT BENT 50



Span 51 Beam 2: 12" LONG X 8" TALL NEW REPAIR TO BOTTOM LEFT FLANGE AT BENT 50



Span 51 Beam 2: 12" LONG X 10" TALL NEW REPAIR TO BOTTOM RIGHT FLANGE AT BENT 50



Span 52 Beam 4: 10" LONG X 8" TALL NEW REPAIR TO BOTTOM LEFT FLANGE AT BENT 52



Span 53 Beam 2: 6" LONG X 8" TALL NEW REPAIR TO BOTTOM RIGHT FLANGE AT BENT 52



Span 53 Beam 2: SPAN 53 BEAM 2 LEFT BOTTOM FLANGE OVER BENT 52. sound patch [8in x 10in]



Span 53 Beam 1: SPAN 53 BEAM 1 RIGHT WEB OVER BENT 52. HAS A CRACK/SPALL AND DELAMINATED AREA WITH 1 REBAR VISIBLE. AREA IS: 4" x 5" x 1/2" DEEP. No section loss noted.



Span 53 Beam 1: 8" LONG X 10" TALL NEW REPAIR TO BOTTOM LEFT FLANGE AT BENT 52



Span 53 Deck: SPAN 53 BOTTOM OF DECK HAS SCATTERED MAP CRACKING.



Span 53 Beam 2: underside of bottom flange at near end, spall [4in x 4in x 1/2in deep] with exposed stirrup [no section loss noted]



Span 54 Deck: 2' X 2' PATCHED AREA IN BAY 3 AT 30' FROM BENT 53



Bent 55 Cap 1: BENT 55 CAP TOP AND NORTH FACE UNDER GIRDER 1. HAS A SPALLED AND DELAMINATED AREA. AREA IS: FROM TOP EDGE BACK 6", FROM TOP EDGE DOWN 10" x 24", TOTAL AREA IS 2.5' LONG X 24" DELAMINATION WITH UP TO 8" DEEP SPALLING WITH EXPOSED REBAR



Span 59 Deck: 8' WIDE X 1' LONG CONCRETE AND ASPHALT PATCHED AREA IN NORTH BOUND LANE AT BENT 58



Bent 4 Footing: 1/32" VERTICAL CRACKING ALONG ALL FACES



Bent 4 Footing: Northwest and Southwest corners, multiple sound patches [up to 3ft x 1ft]



Bent 59 Pile 1: U/W INSPECTION, SCALING 1/2-1" DEEP WITH LOOSE AGGREGATE X 360° FROM WATERLINE DOWN 4'.



Bent 51 Cap 1: 18" WIDE X 18" TALL NEW REPAIR ON WEST FACE OF CAP



Span 61 Beam 3: 18" LONG X 12" TALL NEW REPAIR TO BOTTOM RIGHT FLANGE AT BENT 61



Span 61 Beam 3: 10" LONG X 4" TALL NEW REPAIR TO BOTTOM LEFT FLANGE AT BENT 61



Span 61 Beam 1: SPAN 61 BEAM 1 LEFT BOTTOM FLANGE OVER BENT 61. sound patch [10in x 11in]



Span 61 Beam 2: 4" LONG X 4" TALL NEW REPAIR TO BOTTOM LEFT FLANGE AT BENT 61



Bent 61 Cap 1: 1/32" HORIZONTAL CRACKING IN PATCHED AREA ON NORTHEAST CORNER



Span 62 Beam 1: SPAN 62 BEAM 1 LEFT BOTTOM FLANGE OVER BENT 62. sound patch [14in x 23in]



Bent 63 Cap 1: BENT 63 CAP NORTH FACE BAY 2. HAS A SPALLED AREA. AREA IS: 5" x 10" x 4" DEEP.



Bent 63 Pile 4: 1/64" VERTICAL CRACKING ON ALL FACES



Bent 63 Cap 1: 30" LONG X 18" TALL X 2" DEEP SPALL WITH EXPOSED REBAR WITH NO SECTION LOSS ON NORTH FACE UNDER GIRDER 1



Span 66 Beam 4: SPAN 66 BEAM 4 RIGHT BOTTOM FLANGE OVER BENT 65. sound patch [8in x 8in]



Span 66 Beam 4: 2 - 10" LONG X 6" WIDE NEW PATCHED AREAS ON UNDERSIDE OF BOTTOM FLANGE AT 23' FROM BENT 66



Span 68 Deck: 18" DIAMETER X 1/2" DEEP SPALL WITH EXPOSED REBAR WITH NO SECTION LOSS IN LEFT OVERHANG AT 5' FROM BENT 67



Span 69 Beam 1: 6" LONG X 6" TALL NEW REPAIR TO BOTTOM LEFT FLANGE AT BENT 69



Span 70 Beam 4: 6" LONG X 4" TALL NEW REPAIR TO BOTTOM RIGHT FLANGE AT BENT 69



Span 69 Deck: 18" WIDE X 3" LONG X 1/2" DEEP SPALL WITH EXPOSED REBAR WITH NO SECTION LOSS IN RIGHT OVERHANG AT 10' FROM BENT 69



Span 75 Beam 4: 8" LONG X 6" TALL NEW REPAIR TO BOTTOM RIGHT FLANGE AT BENT 75



Span 76 Beam 4: 12" LONG X 10" TALL NEW REPAIR TO BOTTOM RIGHT FLANGE AT BENT 76



Span 76 Beam 1: 24" LONG X 18" TALL NEW REPAIR TO BOTTOM LEFT FLANGE AT BENT 76



Span 77 Beam 1: 10" LONG X 10" TALL NEW REPAIR TO BOTTOM LEFT FLANGE AT BENT 76



NO SPALL ON BOTTOM LEFT FLANGE OF GIRDER 1 SPAN 77 AT BENT 77 (REPAIR AT BENT 76)



Span 78 Beam 4: bottom right flange at bent 77, spall [8in x 8in x 2in] with [2] two exposed rusted strands [no section loss]



Span 80 Beam 2: SPAN 80 BEAM 2 RIGHT BOTTOM FLANGE OVER BENT 80. HAS A SPALL. AREA IS: 7" x 9" x 2" DEEP.



Span 82 Deck: 5' WIDE X 12" TALL X 6" DEEP SPALL WITH EXPOSED REBAR WITH NO SECTION LOSS IN BAY DIAPHRAGM OVER BENT 81



Bent 82 Cap 1: across East face, spall [32in x 4in x 3in deep] with exposed rusted reinforcing [up to 10% section loss] OVER PILES 5 AND 6



Span 85 Beam 4: SPAN 85 RIGHT BOTTOM EDGE OF BEAM 4. HAS A SPALLED AREA WITH 1 CABLE VISIBLE. LOCATED 24' FROM BENT 85. AREA IS: 5" x 16" x 1" DEEP.



Span 85 Deck: 4' LONG X 8" TALL X 8" WIDE DELAMINATED PATCH IN RIGHT OVERHANG 15' FROM BENT 84



Span 88 Beam 3: PAR: 3' LONG X 10" TALL X 3" DEEP SPALL WITH EXPOSED STRANDS WITH SECTION LOSS ON BOTTOM LEFT FLANGE AT BENT 88



Span 88 Beam 3: SPAN 88 BEAM 3 RIGHT BOTTOM FLANGE OVER BENT 88. DELAMINATED AREA THAT IS 2' LONG X 18" TALL



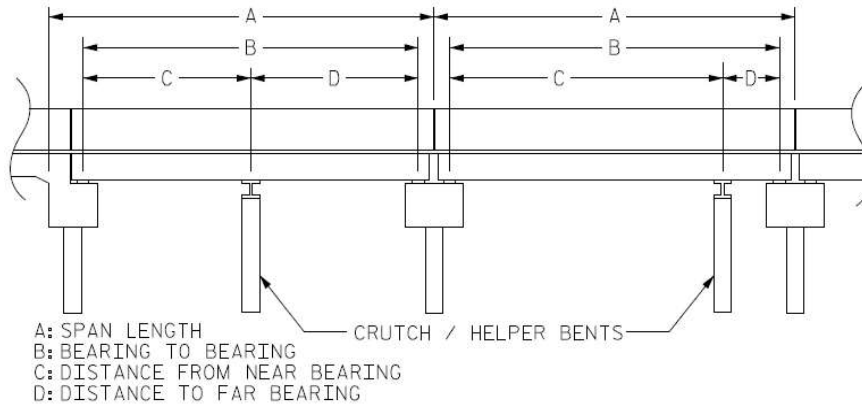
Span 95 Beam 2: 10" LONG X 10" TALL X 2" DEEP SPALL WITH 2 EXPOSED STRANDS WITH NO SECTION LOSS ON BOTTOM RIGHT FLANGE AT BENT 94

Structure Data Worksheet

Span Profile

County: BERTIE

Structure Number: 070007



Span Number	Span Length	Bearing to Bearing	Crutch/ Helper Bent	Distance to Near Bearing	Distance to Far Bearing
1	60.670	58.170			
2	60.000	58.200			
3	60.000	58.500			
4	60.000	58.500			
5	60.000	58.500			
6	60.000	58.500			
7	60.000	58.500			
8	60.000	58.500			
9	60.000	58.500			
10	60.000	58.500			
11	60.000	58.500			
12	60.000	58.500			
13	60.000	58.500			
14	60.000	58.500			
15	60.000	58.500			
16	60.000	58.500			
17	100.000	99.460			
18	120.000	120.000			
19	100.000	99.460			
20	60.000	58.500			
21	60.000	58.500			

Span Number	Span Length	Bearing to Bearing	Crutch/ Helper Bent	Distance to Near Bearing	Distance to Far Bearing
22	60.000	58.500			
23	60.000	58.500			
24	60.000	58.500			
25	60.000	58.500			
26	60.000	58.500			
27	60.000	58.500			
28	60.000	58.500			
29	60.000	58.500			
30	60.000	58.500			
31	60.000	58.500			
32	60.000	58.500			
33	60.000	58.500			
34	60.000	58.500			
35	60.000	58.500			
36	60.000	58.500			
37	60.000	58.500			
38	60.000	58.500			
39	60.000	58.500			
40	60.000	58.500			
41	60.000	58.500			
42	60.000	58.500			
43	60.000	58.500			
44	60.000	58.500			
45	60.000	58.500			
46	60.000	58.500			
47	60.000	58.500			
48	60.000	58.500			
49	60.000	58.500			
50	60.000	58.500			
51	60.000	58.500			
52	60.000	58.500			
53	60.000	58.500			
54	60.000	58.500			

Span Number	Span Length	Bearing to Bearing	Crutch/ Helper Bent	Distance to Near Bearing	Distance to Far Bearing
55	60.000	58.500			
56	60.000	58.500			
57	60.000	58.500			
58	60.000	58.500			
59	60.000	58.500			
60	60.000	58.500			
61	60.000	58.500			
62	60.000	58.500			
63	60.000	58.500			
64	60.000	58.500			
65	60.000	58.500			
66	60.000	58.500			
67	60.000	58.500			
68	60.000	58.500			
69	60.000	58.500			
70	60.000	58.500			
71	60.000	58.500			
72	60.000	58.500			
73	60.000	58.500			
74	60.000	58.500			
75	60.000	58.500			
76	60.000	58.500			
77	60.000	58.500			
78	60.000	58.500			
79	60.000	58.500			
80	60.000	58.500			
81	60.000	58.500			
82	60.000	58.500			
83	60.000	58.500			
84	60.000	58.500			
85	60.000	58.500			
86	60.000	58.500			
87	60.000	58.500			

Span Number	Span Length	Bearing to Bearing	Crutch/ Helper Bent	Distance to Near Bearing	Distance to Far Bearing
88	60.000	58.500			
89	60.000	58.500			
90	60.000	58.500			
91	60.000	58.500			
92	60.000	58.500			
93	60.000	58.500			
94	60.000	58.500			
95	60.670	58.170			



TYPICAL WINGWALL



END BENT 1



TYPICAL OVERHANG



TYPICAL END BENT BEARING



EAST ELEVATION FROM SOUTH END



WEST ELEVATION FROM SOUTH END



BRIDGE PLAQUE



SOUTH APPROACH



TYPICAL APPROACH GUARDRAIL POST SPACING



TYPICAL GUARDRAIL END TREATMENT



TYPICAL GUARDRAIL TRANSITION



LOOKING SOUTH FROM BRIDGE



TYPICAL RAIL



TYPICAL JOINT OVER INTERIOR BENT



JOINT OVER BENT 16



LOOKING EAST DOWNSTREAM AT SPAN 18 OVER THE ROANOKE RIVER



LOOKING WEST UPSTREAM AT SPAN 18 OVER THE ROANOKE RIVER



JOINT OVER BENT 19



LOOKING EAST DOWNSTREAM AT SPAN 45 OVER THE MIDDLE RIVER



LOOKING WEST UPSTREAM AT SPAN 45 OVER THE MIDDLE RIVER



LOOKING EAST DOWNSTREAM AT SPAN 61 OVER THE MIDDLE RIVER



LOOKING WEST UPSTREAM AT SPAN 61 OVER THE MIDDLE RIVER



LOOKING EAST DOWNSTREAM AT SPAN 85 OVER THE CASHIE RIVER



LOOKING WEST UPSTREAM AT SPAN 85 OVER THE CASHIE RIVER



LOOKING NORTH FROM BRIDGE



EAST ELEVATION FROM NORTH END



END BENT 2



WEST ELEVATION FROM NORTH END



BENT 2



UTILITY IN RIGHT OVERHANG



INTERIOR BENT BEARING



UTILITY IN LEFT OVERHANG



TYPICAL INTERMEDIATE DIAPHRAGM



TYPICAL UNDERDECK



TYPICAL UNDERSIDE



BENT 9



BENT 16 (BENT 17 SIMILAR)



SPAN 17 BEARING AT BENT 16 (SAME FOR SPAN 19 BEARINGS AT BENT 19)



SPAN 17-19 INTERMEDIATE DIAPHRAGM



TYPICAL SPAN 17-19 SPLICE



NAVIGATION LIGHTS ON BOTH SIDES OF SPAN 18



SPAN 17-19 END DIAPHRAGM



SPAN 17-19 INTERMEDIATE BEARING



NAVIGATION LIGHT UTILITY ALONG BENT 17 CAP



BENT 35



BENT 38



LOOKING EAST DOWNSTREAM OVER THE ROANOKE RIVER



BENT 17 WITH FENDER SYSTEM (BENT 18 SIMILAR)



SPAN 17-19 UNDERSIDE



LOOKING WEST UPSTREAM OVER THE ROANOKE RIVER



LOOKING WEST UPSTREAM OVER THE MIDDLE RIVER



LOOKING EAST DOWNSTREAM OVER THE MIDDLE RIVER



LOOKING EAST DOWNSTREAM OVER THE MIDDLE RIVER



LOOKING WEST UPSTREAM OVER THE MIDDLE RIVER



LOOKING WEST UPSTREAM OVER THE CASHIE RIVER



LOOKING EAST DOWNSTREAM OVER THE CASHIE RIVER



GAUGING STATION ON BENT 93 BETWEEN PILES 5/6 AND 7



NORTH APPROACH











BRIDGE INSPECTOR'S RECOMMENDATION FOR MAINTENANCE REPAIRS

Bridge: 070007

County BERTIE

Date:

These Repairs Should Be Made Within Twelve Months From Date Of This Inspection

MMS Code	Description of Function	Unit	Quantity	Remarks	Est. Cost
 3306	Maintain Concrete Superstructure Components	SF	1	Span 3 Beam 1: [PAR] bottom left flange at bent 2, spall [12in x 8in x 3in deep] with [2] two exposed rusted stirrup [up to 1/16in section loss]	
 3306	Maintain Concrete Superstructure Components	SF	1	Span 20 Beam 3: PAR: SPAN 20 BEAM 3 RIGHT BOTTOM FLANGE OVER BENT 19. HAS A SPALL WITH EXPOSED STRANDS 12" LONG X 8" TALL X 3" DEEP	
 3306	Maintain Concrete Superstructure Components	SF	1	Span 38 Beam 4: PAR: 12" LONG X 8" TALL X 3" DEEP SPALL WITH EXPOSED STRANDS WITH SOME SECTION LOSS ON BOTTOM RIGHT FLANGE AT BENT 37	
 3306	Maintain Concrete Superstructure Components	SF	1	Span 47 Beam 2: PAR: 8" LONG X 8" TALL X 3" DEEP SPALL WITH EXPOSED STRANDS WITH SECTION LOSS ON BOTTOM RIGHT FLANGE AT BENT 46	
 3306	Maintain Concrete Superstructure Components	SF	3	Span 88 Beam 3: PAR: 3' LONG X 10" TALL X 3" DEEP SPALL WITH EXPOSED STRANDS WITH SECTION LOSS ON BOTTOM LEFT FLANGE AT BENT 88	
 3314	Maintain Steel Superstructure Components	LF	1	Span 17 Beam 3: PAR: bottom left flange at bent 16, active corrosion with section loss [5in x in x 3/4in avg rem]	
 3314	Maintain Steel Superstructure Components	LF	1	Span 17 Beam 4: PAR: 1/2" REMAINING ON BOTTOM RIGHT FLANGE FOR 3" WIDE X 3" LONG ON NORTH SIDE OF SPLICE NUMBER 1 IN SPAN 18	
 3326	Maintain Concrete Deck	SF	3	Span 13 Deck: PAR: 3' WIDE X 6" LONG X 3" DEEP SPALL WITH EXPSOED REBAR IN SOUTH BOUND LANE AT BENT 12 JOINT	
 3326	Maintain Concrete Deck	SF	5	Span 42 Deck: PAR: 30" DIAMETER X 2" DEEP SPALL WITH EXPOSED REBAR WITH SECTION LOSS IN BAY 1 AT 12' FROM BENT 41	
 3334	Bridge Bearings	EA	1	Span 6 Beam 3 Far Bearing: PAR: 18" WIDE X 6" DEEP TRIANGULAR AREA OF LOSS OF BEARING AT BENT 6 CAP DUE TO LARGE SPALL ON SOUTH FACE OF CAP	

Key

 Priority Maintenance Item

 Critical Finding Item

 Priority Maintenance Level Not Determined


BRIDGE INSPECTOR'S RECOMMENDATION FOR MAINTENANCE REPAIRS

Bridge: 070007

County BERTIE

Date:


These Repairs Should Be Made Within Twelve Months From Date Of This Inspection

MMS Code	Description of Function	Unit	Quantity	Remarks	Est. Cost
 3348	Maintain Concrete Substructure Components	LF	4	Bent 6 Cap 1: PAR: 4' LONG X 2' TALL X 10" DEEP SPALL WITH EXPOSED REBAR ON SOUTH FACE UNDER GIRDER 3 WITH 18" LONG X 6" DEEP LOSS OF BEARING	

Key

 Priority Maintenance Item

 Critical Finding Item

 Priority Maintenance Level Not Determined

BRIDGE INSPECTOR'S RECOMMENDATION FOR PRIORITY MAINTENANCE REPAIRS

Bridge: 070007 County BERTIE

THE FOLLOWING MAINTENANCE ITEMS HAVE BEEN SUBMITTED IN CONJUNCTION WITH A PRIORITY MAINTENANCE REQUEST

MMS Code	MMS Description	Quantity
3306	Maintain Concrete Superstructure Components	1 SF
Location:		
Bent/Span No.		
Priority Level	Status	
Priority Maintenance	Division Bridge Maintenance Notification Received	
Submitted Date:	Submitted By:	Assisted By:
03/07/2022	M. T. CORNWELL	
Details		
Span 3 Beam 1: [PAR] bottom left flange at bent 2, spall [12in x 8in x 3in deep] with [2] two exposed rusted stirrup [up to 1/16in section loss]		

MMS Code	MMS Description	Quantity
3306	Maintain Concrete Superstructure Components	1 SF
Location:		
Bent/Span No.		
Priority Level	Status	
Priority Maintenance	Division Bridge Maintenance Notification	
Submitted Date:	Submitted By:	Assisted By:
03/07/2022	M. T. CORNWELL	
Details		
Span 20 Beam 3: PAR: SPAN 20 BEAM 3 RIGHT BOTTOM FLANGE OVER BENT 19. HAS A SPALL WITH EXPOSED STRANDS 12" LONG X 8" TALL X 3" DEEP		

BRIDGE INSPECTOR'S RECOMMENDATION FOR PRIORITY MAINTENANCE REPAIRS

Bridge: 070007 County BERTIE

THE FOLLOWING MAINTENANCE ITEMS HAVE BEEN SUBMITTED IN CONJUNCTION WITH A PRIORITY MAINTENANCE REQUEST

MMS Code	MMS Description	Quantity
3306	Maintain Concrete Superstructure Components	1 SF
Location:		
Bent/Span No.		
Priority Level	Status	
Priority Maintenance	Division Bridge Maintenance Notification	
Submitted Date:	Submitted By:	Assisted By:
03/07/2022	M. T. CORNWELL	
Details		
Span 38 Beam 4: PAR: 12" LONG X 8" TALL X 3" DEEP SPALL WITH EXPOSED STRANDS WITH SOME SECTION LOSS ON BOTTOM RIGHT FLANGE AT BENT 37		

MMS Code	MMS Description	Quantity
3306	Maintain Concrete Superstructure Components	1 SF
Location:		
Bent/Span No.		
Priority Level	Status	
Priority Maintenance	Division Bridge Maintenance Notification	
Submitted Date:	Submitted By:	Assisted By:
03/07/2022	M. T. CORNWELL	
Details		
Span 47 Beam 2: PAR: 8" LONG X 8" TALL X 3" DEEP SPALL WITH EXPOSED STRANDS WITH SECTION LOSS ON BOTTOM RIGHT FLANGE AT BENT 46		

BRIDGE INSPECTOR'S RECOMMENDATION FOR PRIORITY MAINTENANCE REPAIRS

Bridge: 070007 County BERTIE

THE FOLLOWING MAINTENANCE ITEMS HAVE BEEN SUBMITTED IN CONJUNCTION WITH A PRIORITY MAINTENANCE REQUEST

MMS Code	MMS Description	Quantity
3306	Maintain Concrete Superstructure Components	3 SF
Location:		
Bent/Span No.		
Priority Level	Status	
Priority Maintenance	Division Bridge Maintenance Notification	
Submitted Date:	Submitted By:	Assisted By:
03/07/2022	M. T. CORNWELL	
Details		
Span 88 Beam 3: PAR: 3' LONG X 10" TALL X 3" DEEP SPALL WITH EXPOSED STRANDS WITH SECTION LOSS ON BOTTOM LEFT FLANGE AT BENT 88		

MMS Code	MMS Description	Quantity
3314	Maintain Steel Superstructure Components	1 LF
Location:		
Bent/Span No.		
Priority Level	Status	
Priority Maintenance	Division Bridge Maintenance Notification	
Submitted Date:	Submitted By:	Assisted By:
03/07/2022	M. T. CORNWELL	
Details		
Span 17 Beam 3: PAR: bottom left flange at bent 16, active corrosion with section loss [5in x in x 3/4in avg rem]		

BRIDGE INSPECTOR'S RECOMMENDATION FOR PRIORITY MAINTENANCE REPAIRS

Bridge: 070007 County BERTIE

THE FOLLOWING MAINTENANCE ITEMS HAVE BEEN SUBMITTED IN CONJUNCTION WITH A PRIORITY MAINTENANCE REQUEST

MMS Code	MMS Description	Quantity
3314	Maintain Steel Superstructure Components	1 LF
Location:		
Bent/Span No.		
Priority Level	Status	
Priority Maintenance	Division Bridge Maintenance Notification	
Submitted Date:	Submitted By:	Assisted By:
03/07/2022	M. T. CORNWELL	
Details		
Span 17 Beam 4: PAR: 1/2" REMAINING ON BOTTOM RIGHT FLANGE FOR 3" WIDE X 3" LONG ON NORTH SIDE OF SPLICE NUMBER 1 IN SPAN 18		

MMS Code	MMS Description	Quantity
3326	Maintain Concrete Deck	3 SF
Location:		
Bent/Span No.		
Priority Level	Status	
Priority Maintenance	Division Bridge Maintenance Notification	
Submitted Date:	Submitted By:	Assisted By:
03/07/2022	M. T. CORNWELL	
Details		
Span 13 Deck: PAR: 3' WIDE X 6" LONG X 3" DEEP SPALL WITH EXPSOED REBAR IN SOUTH BOUND LANE AT BENT 12 JOINT		

BRIDGE INSPECTOR'S RECOMMENDATION FOR PRIORITY MAINTENANCE REPAIRS

Bridge: 070007 County BERTIE

THE FOLLOWING MAINTENANCE ITEMS HAVE BEEN SUBMITTED IN CONJUNCTION WITH A PRIORITY MAINTENANCE REQUEST

MMS Code	MMS Description	Quantity
3326	Maintain Concrete Deck	5 SF
Location:		
Bent/Span No.		
Priority Level	Status	
Priority Maintenance	Division Bridge Maintenance Notification Received	
Submitted Date:	Submitted By:	Assisted By:
03/07/2022	M. T. CORNWELL	
Details		
Span 42 Deck: PAR: 30" DIAMETER X 2" DEEP SPALL WITH EXPOSED REBAR WITH SECTION LOSS IN BAY 1 AT 12' FROM BENT 41		

MMS Code	MMS Description	Quantity
3334	Bridge Bearings	1 EA
Location:		
Bent/Span No.		
Priority Level	Status	
Priority Maintenance	Division Bridge Maintenance Notification	
Submitted Date:	Submitted By:	Assisted By:
03/07/2022	M. T. CORNWELL	
Details		
Span 6 Beam 3 Far Bearing: PAR: 18" WIDE X 6" DEEP TRIANGULAR AREA OF LOSS OF BEARING AT BENT 6 CAP DUE TO LARGE SPALL ON SOUTH FACE OF CAP		

BRIDGE INSPECTOR'S RECOMMENDATION FOR PRIORITY MAINTENANCE REPAIRS

Bridge: 070007 County BERTIE

THE FOLLOWING MAINTENANCE ITEMS HAVE BEEN SUBMITTED IN CONJUNCTION WITH A PRIORITY MAINTENANCE REQUEST

MMS Code	MMS Description	Quantity
3348	Maintain Concrete Substructure Components	4 LF
Location:		
Bent/Span No.		
Priority Level	Status	
Priority Maintenance	Division Bridge Maintenance Notification	
Submitted Date:	Submitted By:	Assisted By:
03/07/2022	M. T. CORNWELL	
Details		
Bent 6 Cap 1: PAR: 4' LONG X 2' TALL X 10" DEEP SPALL WITH EXPOSED REBAR ON SOUTH FACE UNDER GIRDER 3 WITH 18" LONG X 6" DEEP LOSS OF BEARING		

Bridge Inspection Field Sketch



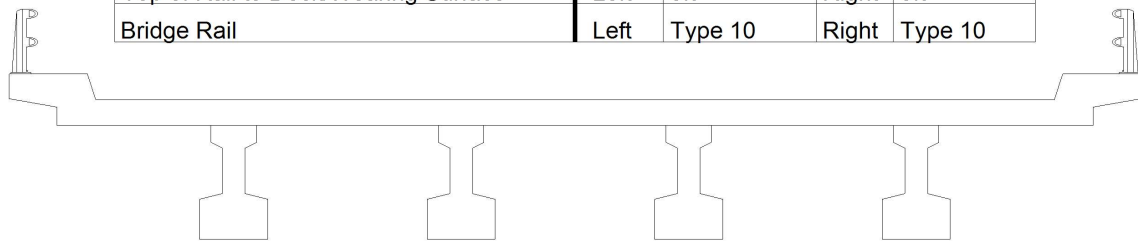
Roadway	24ft Wide	2 Paved Lanes	Looking North
Left Shoulder	4ft Wide	1.5ft Paved	2.5ft Unpaved
Right Shoulder	4ft Wide	1.5ft Paved	2.5ft Unpaved
Left Guardrail	4ft from road		
Right Guardrail	4ft from road		

MEASUREMENTS REVISED 3-3-22 MTC
 *Measurement Revised: J. Talacek 3/26/2020

Title Approach Roadway Sketch		Description Data Worksheet	
Bridge No: 070007	Drawn By: GLH	Date: 05/24/2010	File Name: S0302000296

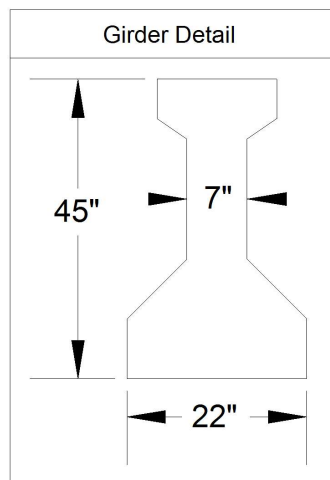
Bridge Inspection Field Sketch

Deck Width/Out to Out	33.708ft	Between Rails	31.292ft
Clear Roadway	28ft	Wearing Surface	
Median Width		Median Height	
Curb Height		Left	0.75ft
		Right	0.75ft
Sidewalk Width		Left	
		Right	
Clear Roadway (Rail to Median)		Left	
		Right	
Guardrail Width		Left	0.83ft
		Right	0.83ft
Top of Rail to Deck/Wearing Surface		Left	3ft
		Right	3ft
Bridge Rail		Left	Type 10
		Right	Type 10



Measurements for Span #	1	Similar Spans: 1-16 and 20-95	
Deck Thickness	0.75ft	Left Overhang	4.85in
Top of Rail to Bottom of Beam	7.5ft	Right Overhang	4.85in

Beam Number	Beam Type	Spacing	Comments
1	PPC Girder	8ft	
2	PPC Girder	8ft	
3	PPC Girder	8ft	
4	PPC Girder		



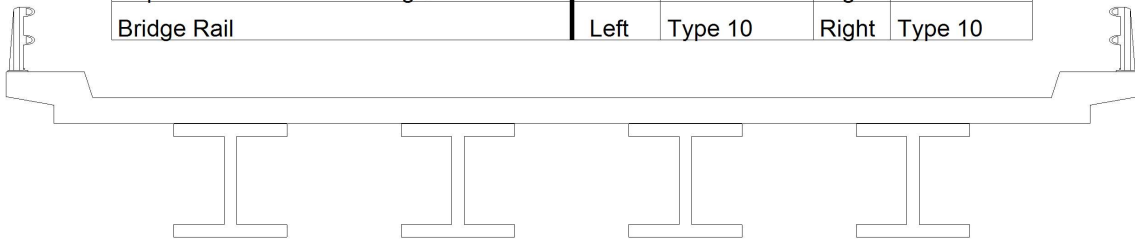
MEASUREMENTS VERIFIED 3-3-22 MTC

Measurements Verified: J. Talacek 3/26/2020

Title Typical Section Sketch, Spans 1-16 and 20-95	Description Data Worksheet
Bridge No: 070007	Drawn By: GLH
Date: 5/24/2010	File Name: S0302000297

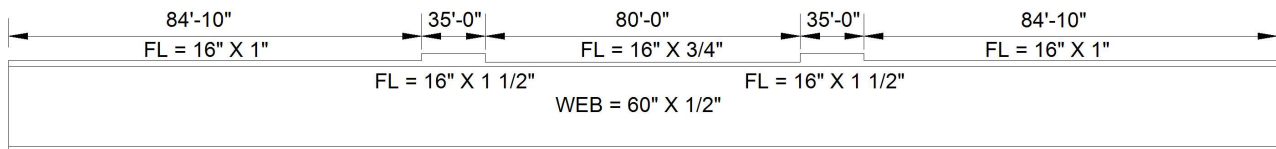
Bridge Inspection Field Sketch

Deck Width/Out to Out	33.708ft	Between Rails	31.292ft
Clear Roadway	28ft	Wearing Surface	
Median Width		Median Height	
Curb Height		Left 0.75ft	Right 0.75ft
Sidewalk Width		Left	Right
Clear Roadway (Rail to Median)		Left	Right
Guardrail Width		Left 0.83ft	Right 0.83ft
Top of Rail to Deck/Wearing Surface		Left 3ft	Right 3ft
Bridge Rail		Left Type 10	Right Type 10

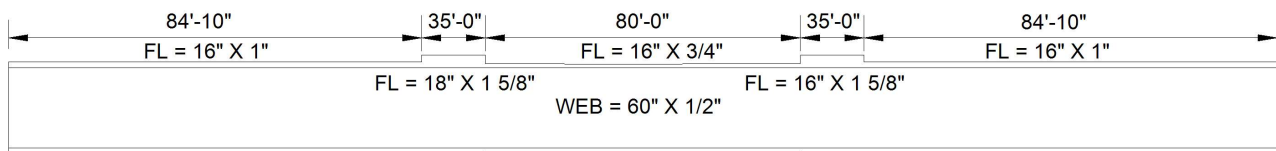


Measurements for Span #	17	Similar Spans: 18 and 19	
Deck Thickness	0.75ft	Left Overhang	4.85ft
Top of Rail to Bottom of Beam	7.5ft	Right Overhang	4.85ft

Beam Number	Beam Type	Spacing	Comments
1	Steel I Beam	8ft	
2	Steel I Beam	8ft	
3	Steel I Beam	8ft	
4	Steel I Beam		



INTERIOR GIRDER



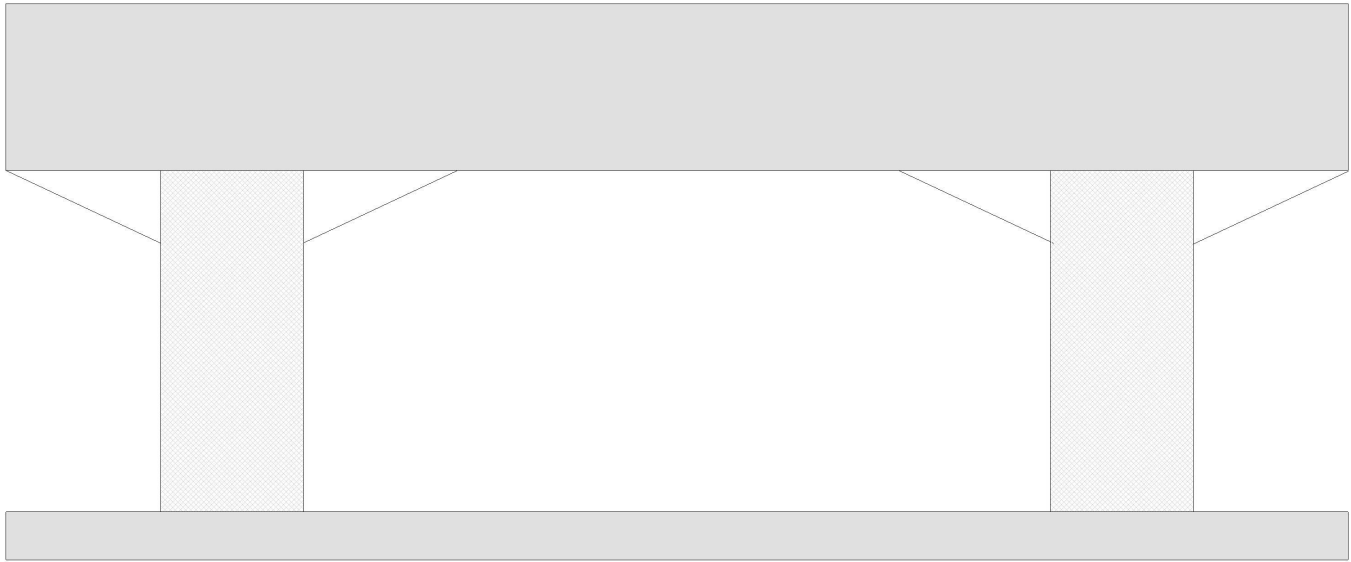
EXTERIOR GIRDER

MEASUREMENTS VERIFIED 3-3-22 MTC

Measurements Verified: W. Barkuloo 3/26/2020

Title Typical Section Sketch, Spans 17-19		Description Data Worksheet		
Bridge No: 070007	Drawn By: DAVID WAGNER	Date: 5/19/2014	File Name: S0430000192	

Bridge Inspection Field Sketch



Cap Information			Material Cast-in-Place Concrete							
Length	Width	Height	Left Overhang	Right Overhang	Left Beam to End of Cap.	Right Beam to End of Cap.				
28.167 ft.	3.000 ft.	3.500 ft.	4.750 ft.	4.750 ft.	2.080 ft.	2.080 ft.				
Subcap Information			Material							
Length	Width	Height	Left Overhang	Right Overhang	Left Pile to Splice.					
Sill Information			Material							
Length	Width	Height								
31.000 ft.	9.000 ft.	4.250 ft.								
Pile #	Material	Spacing	Width/Dia.	Height	Length	Orientation	Driven?	Replacement?	Removed?	Collar?
1	Concrete	18.67 ft.	3 ft.			Vertical	No	No	No	No
2	Concrete		3 ft.			Vertical	No	No	No	No
Bent/Abutment #: 1			Similar Bents: 2-6 and 29-34							

MEASUREMENTS VERIFIED 3-3-22 MTC

Measurements Verified: J. Talacek 3/26/2020

Title

Typical Bent Sketch, Bents 1-6 and 29-34

Description

Data Worksheet

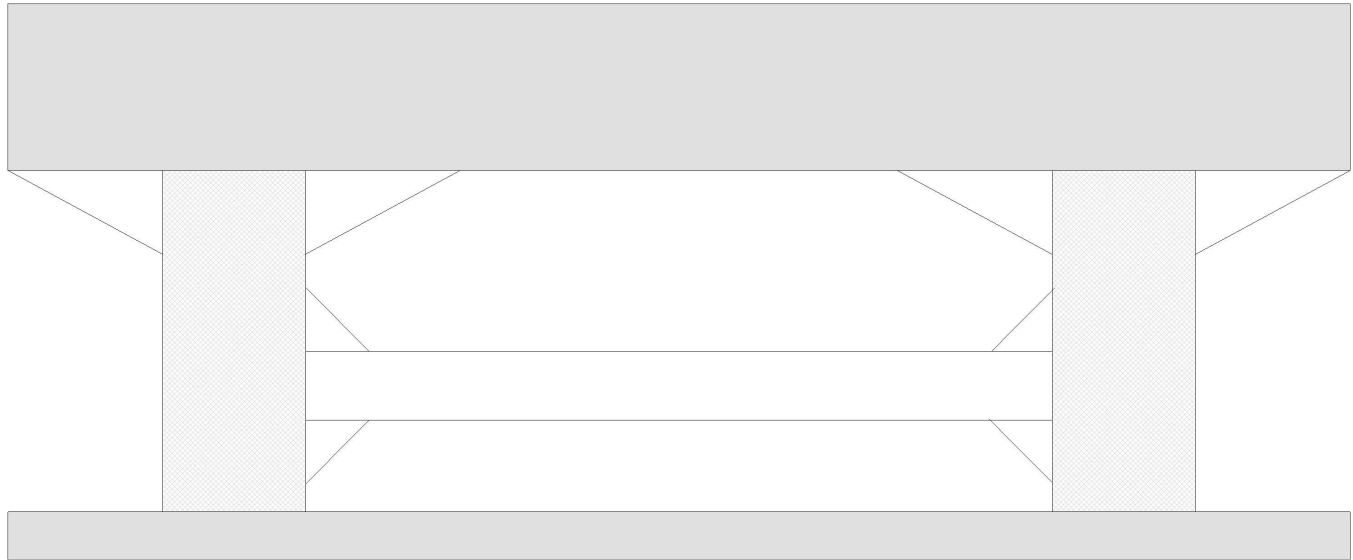
Bridge No: 070007

Drawn By: GLH

Date: 5/24/2010

File Name: S0034001849

Bridge Inspection Field Sketch



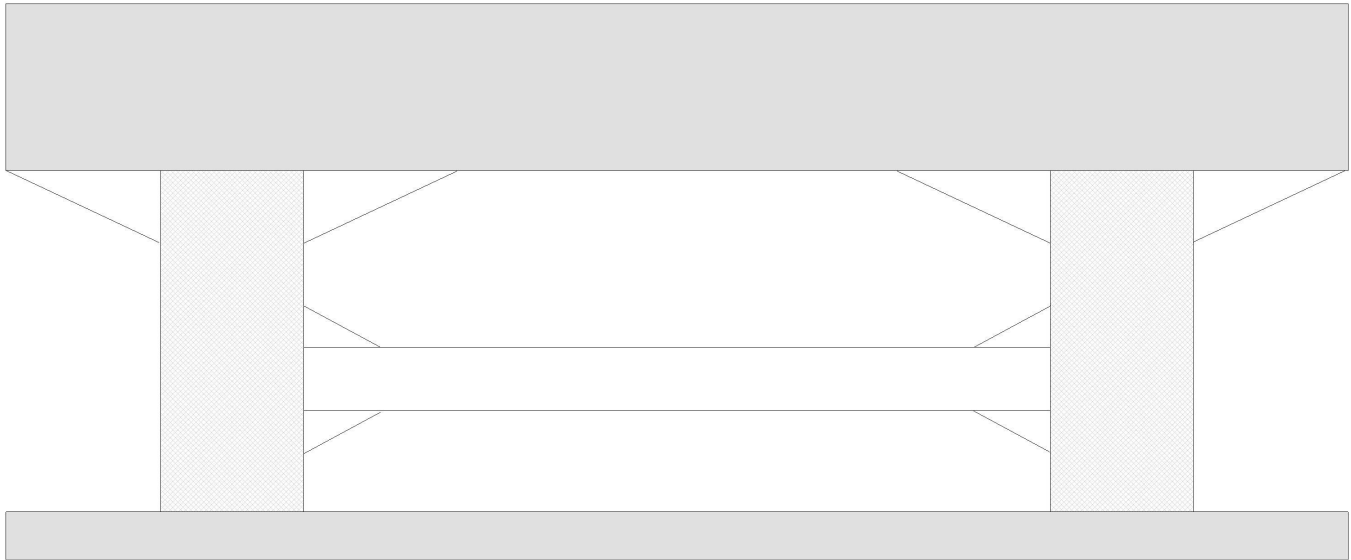
Cap Information			Material Cast-in-Place Concrete							
Length	Width	Height	Left Overhang	Right Overhang	Left Beam to End of Cap.	Right Beam to End of Cap.				
28.170 ft.	3.000 ft.	3.500 ft.	4.750 ft.	4.750 ft.	2.080 ft.	2.080 ft.				
Subcap Information			Material							
Length	Width	Height	Left Overhang	Right Overhang	Left Pile to Splice.					
Sill Information			Material							
Length	Width	Height								
32.000 ft.	10.000 ft.	4.250 ft.								
Pile #	Material	Spacing	Width/Dia.	Height	Length	Orientation	Driven?	Replacement?	Removed?	Collar?
1	Concrete	18.67 ft.	3 ft.			Vertical	No	No	No	No
2	Concrete		3 ft.			Vertical	No	No	No	No
Bent/Abutment #: 7			Similar Bents:							

MEASUREMENTS VERIFIED 3-3-22 MTC

Measurements Verified: D. Winters 3/26/2020

Title			Description			
Typical Bent Sketch, Bents 7-15 and 20-28			Data Worksheet			
Bridge No: 070007	Drawn By: DAVID WAGNER	Date: 5/19/2014	File Name: S0430000187			

Bridge Inspection Field Sketch



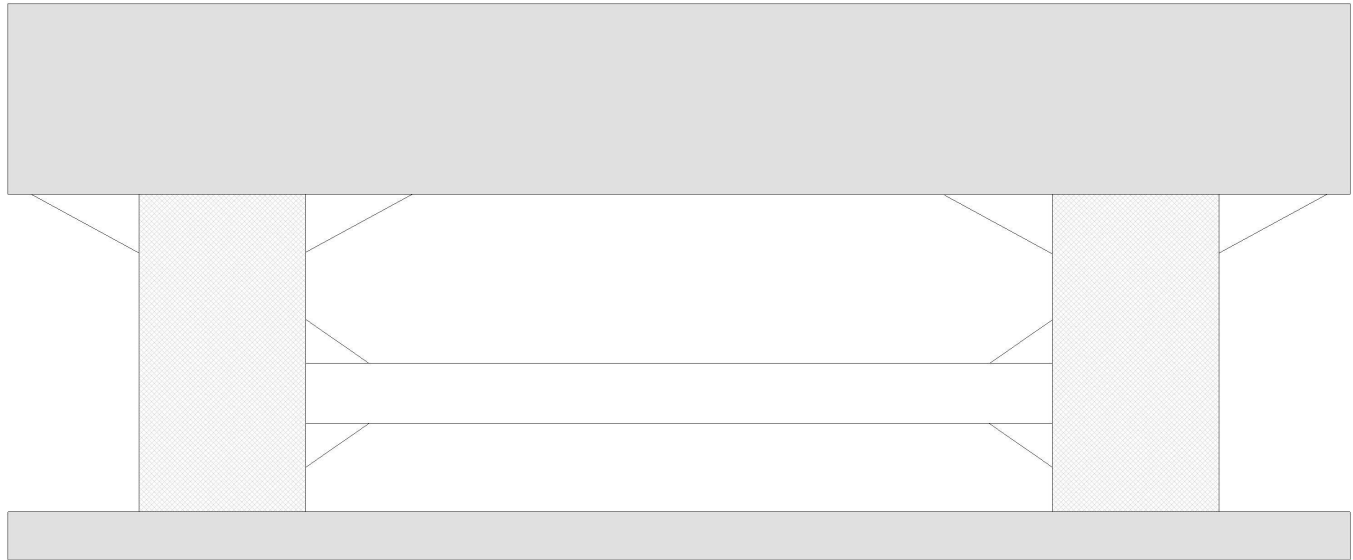
Cap Information			Material Cast-in-Place Concrete							
Length	Width	Height	Left Overhang	Right Overhang	Left Beam to End of Cap.	Right Beam to End of Cap.				
28.170 ft.	3.000 ft.	3.500 ft.	4.750 ft.	4.750 ft.	2.080 ft.	2.080 ft.				
Subcap Information			Material							
Length	Width	Height	Left Overhang	Right Overhang	Left Pile to Splice.					
Sill Information			Material							
Length	Width	Height								
33.000 ft.	11.000 ft.	4.250 ft.								
Pile #	Material	Spacing	Width/Dia.	Height	Length	Orientation	Driven?	Replacement?	Removed?	Collar?
1	Concrete	18.67 ft.	3 ft.			Vertical	No	No	No	No
2	Concrete		3 ft.			Vertical	No	No	No	No
Bent/Abutment #: 16			Similar Bents: 19							

Measurements Verified: W. Barkuloo 3/26/2020

MEASUREMENTS VERIFIED 3-3-22 MTC

Title Typical Bent Sketch, Bents 16 and 19			Description Data Worksheet			
Bridge No: 070007	Drawn By: DAVID WAGNER	Date: 5/19/2014	File Name: S0430000188			

Bridge Inspection Field Sketch



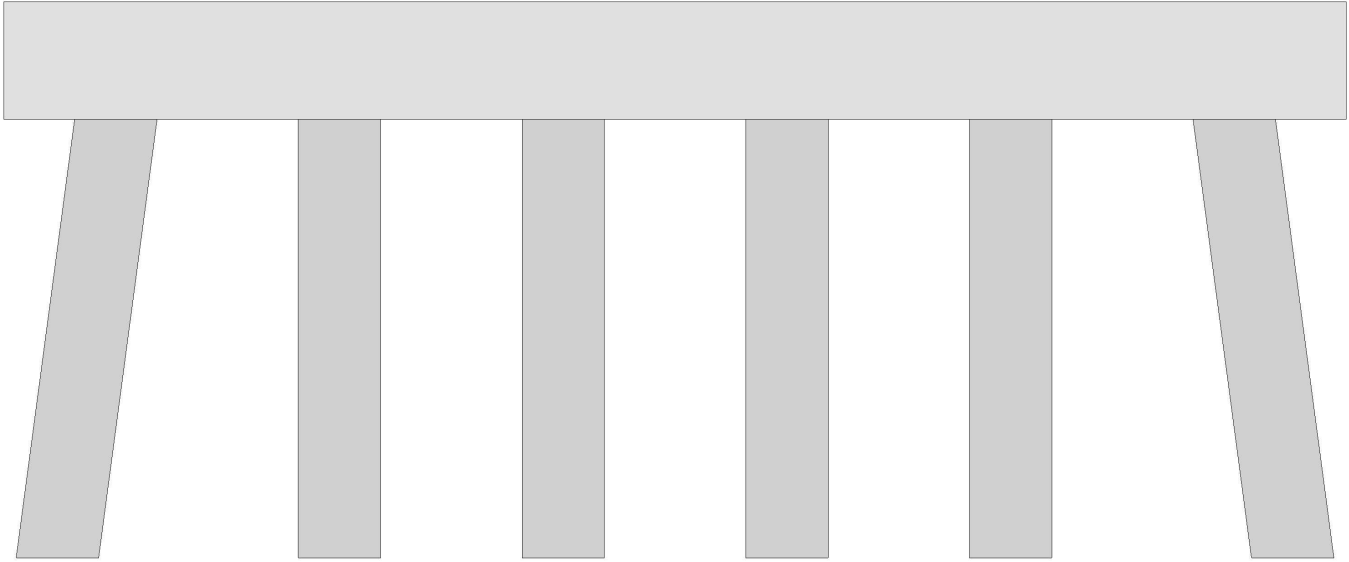
Cap Information			Material Cast-in-Place Concrete							
Length	Width	Height	Left Overhang	Right Overhang	Left Beam to End of Cap.	Right Beam to End of Cap.				
28.170 ft.	4.000 ft.	4.000 ft.	4.500 ft.	4.500 ft.	2.080 ft.	2.080 ft.				
Subcap Information			Material							
Length	Width	Height	Left Overhang	Right Overhang	Left Pile to Splice.					
Sill Information			Material							
Length	Width	Height								
33.000 ft.	15.000 ft.	4.500 ft.								
Pile #	Material	Spacing	Width/Dia.	Height	Length	Orientation	Driven?	Replacement?	Removed?	Collar?
1	Concrete	19.17 ft.	3.5 ft.			Vertical	No	No	No	No
2	Concrete		3.5 ft.			Vertical	No	No	No	No
Bent/Abutment #: 17			Similar Bents: 18							

Measurements Verified: W. Barkuloo 3/26/2020

MEASUREMENTS VERIFIED 3-3-22 MTC

Title			Description			
Typical Bent Sketch, Bents 17 and 18			Data Worksheet			
Bridge No: 070007	Drawn By: DAVID WAGNER		Date: 5/19/2014		File Name: S0430000189	

Bridge Inspection Field Sketch



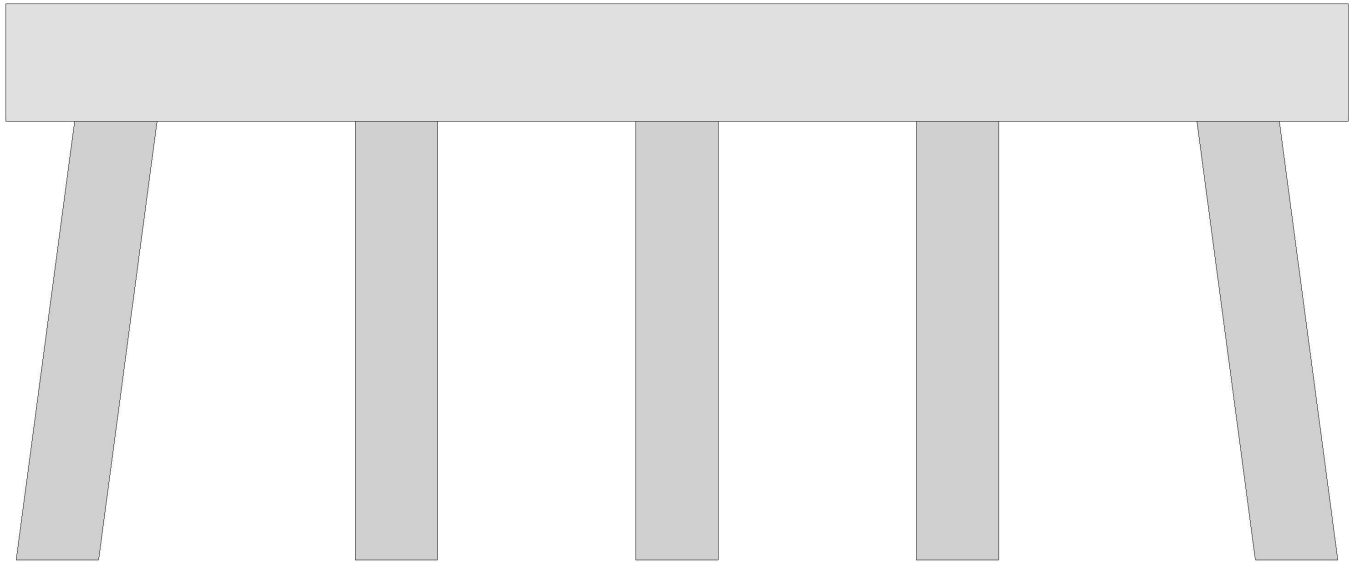
Cap Information			Material Cast-in-Place Concrete							
Length	Width	Height	Left Overhang	Right Overhang	Left Beam to End of Cap.	Right Beam to End of Cap.				
28.500 ft.	3.250 ft.	2.500 ft.	2.375 ft.	2.375 ft.	2.250 ft.	2.250 ft.				
Subcap Information			Material							
Length	Width	Height	Left Overhang	Right Overhang	Left Pile to Splice.					
Sill Information			Material							
Length	Width	Height								
Pile #	Material	Spacing	Width/Dia.	Height	Length	Orientation	Driven?	Replacement?	Removed?	Collar?
1	Concrete	4.75 ft.	1.75 ft.			Battered	Yes	No	No	No
2	Concrete	4.75 ft.	1.75 ft.			Vertical	Yes	No	No	No
3	Concrete	4.75 ft.	1.75 ft.			Vertical	Yes	No	No	No
4	Concrete	4.75 ft.	1.75 ft.			Vertical	Yes	No	No	No
5	Concrete	4.75 ft.	1.75 ft.			Vertical	Yes	No	No	No
6	Concrete		1.75 ft.			Battered	Yes	No	No	No
Bent/Abutment #: 35			Similar Bents: 36-37, 39-41, 43-45, 47-49, 51-53, 55-57, 59-61, 63-65							

Measurements Verified: W. Barkuloo 3/26/2020

MEASUREMENTS VERIFIED 3-3-22 MTC

Title Typical Bent Sketch, Bents 35-37, 39-41 43-45, 47-49, 51-53, 55-57, 59-61, 63-65		Description Data Worksheet	
Bridge No: 070007	Drawn By: DAVID WAGNER	Date: 5/19/2014	File Name: S0430000190

Bridge Inspection Field Sketch



Cap Information			Material Cast-in-Place Concrete							
Length	Width	Height	Left Overhang	Right Overhang	Left Beam to End of Cap.	Right Beam to End of Cap.				
28.500 ft.	3.250 ft.	2.500 ft.	2.333 ft.	2.333 ft.	2.250 ft.	2.250 ft.				
Subcap Information			Material							
Length	Width	Height	Left Overhang	Right Overhang	Left Pile to Splice.					
Sill Information			Material							
Length	Width	Height								
Pile #	Material	Spacing	Width/Dia.	Height	Length	Orientation	Driven?	Replacement?	Removed?	Collar?
1	Concrete	5.958 ft.	1.75 ft.			Battered	Yes	No	No	No
2	Concrete	5.958 ft.	1.75 ft.			A-Frame	Yes	No	No	No
3	Concrete	5.958 ft.	1.75 ft.			Vertical	Yes	No	No	No
4	Concrete	5.958 ft.	1.75 ft.			A-Frame	Yes	No	No	No
5	Concrete		1.75 ft.			Battered	Yes	No	No	No
Bent/Abutment #: 38			Similar Bents: 42, 46, 50, 54, 58, 62, 66, 70, 74, 78, 82, 86, 89							

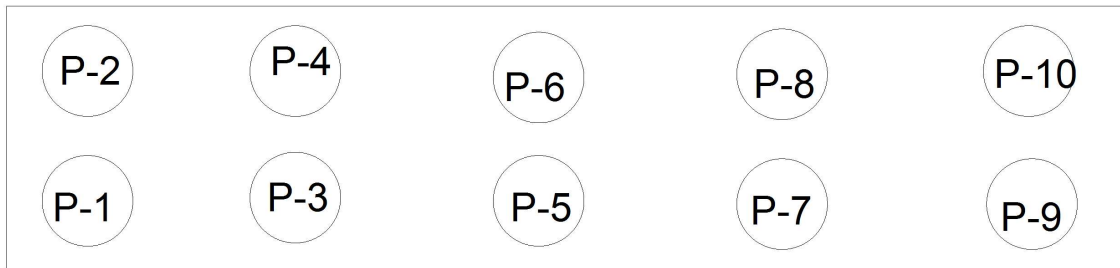
MEASUREMENTS VERIFIED 3-3-22 MTC

Measurements Verified: W. Barkuloo 3/26/2020

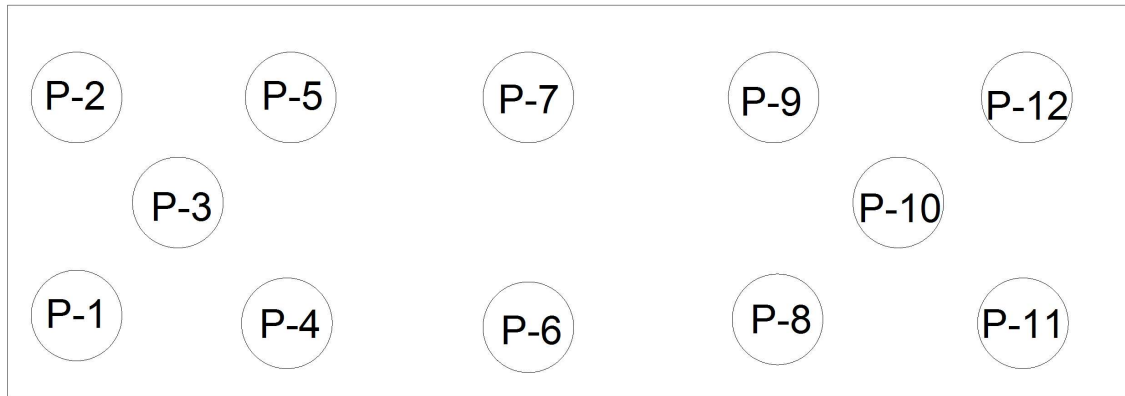
Title Typical Bent Sketch, Bents 38, 42, 46, 50, 54 58, 62, 66, 70, 74, 78, 82, 86, 89		Description Data Worksheet			
Bridge No: 070007	Drawn By: DAVID WAGNER	Date: 5/19/2014	File Name: S0430000191		

Bridge Inspection Field Sketch

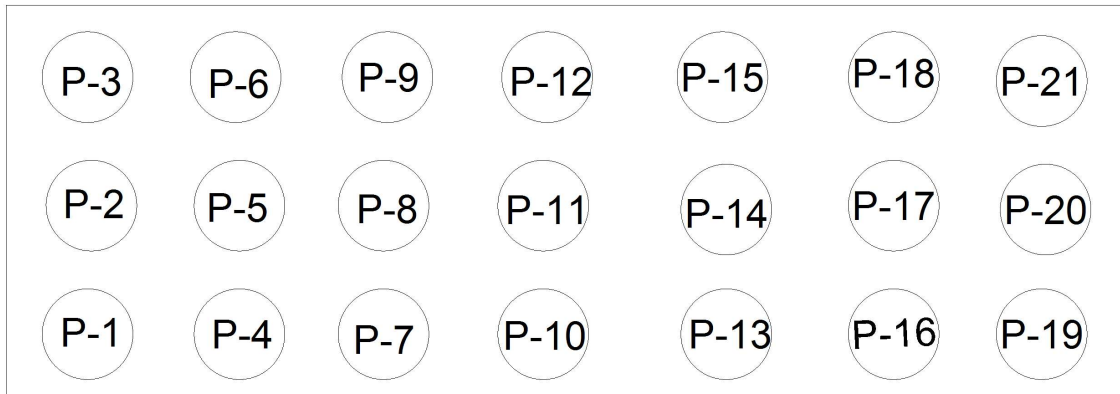
10 PILE BENT



12 PILE BENT



21 PILE BENT



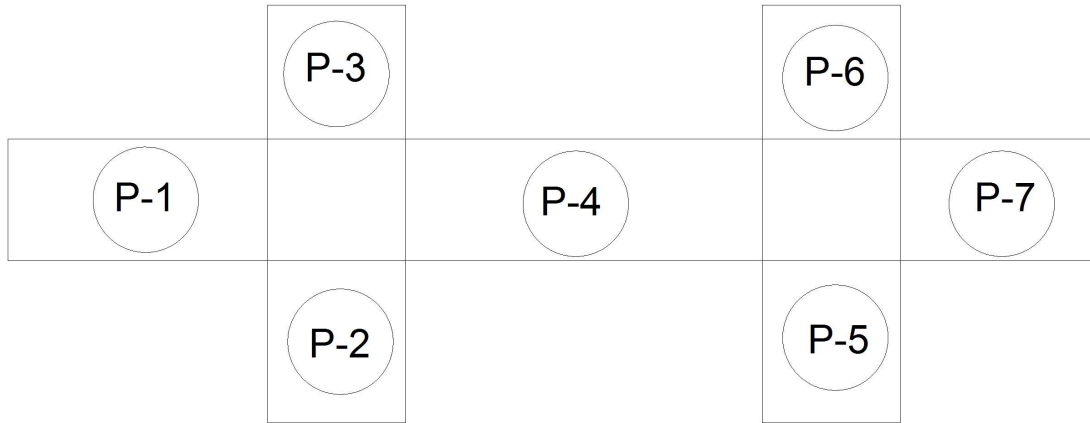
U/W INSPECTION 6/30/21

BENTS 1-94 WERE INSPECTED FROM HIGH WATER MARK TO MUDLINE
 PILES, BOTTOM OF FOOTINGS, & FENDER SYSTEM

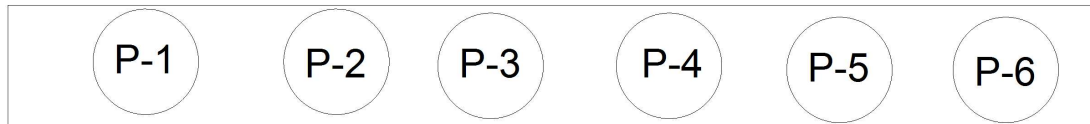
Title PILE LAYOUT 1		6/30/21		Description DATA	
Bridge No:	070007	Drawn By:	B.P.	Date:	6/13/2017
				File Name:	S0166001289

Bridge Inspection Field Sketch

7 PILE BENT



6 PILE BENT

**Title**

PILE LAYOUT 2

Description

DATA

Bridge No: 070007

Drawn By: B.P.

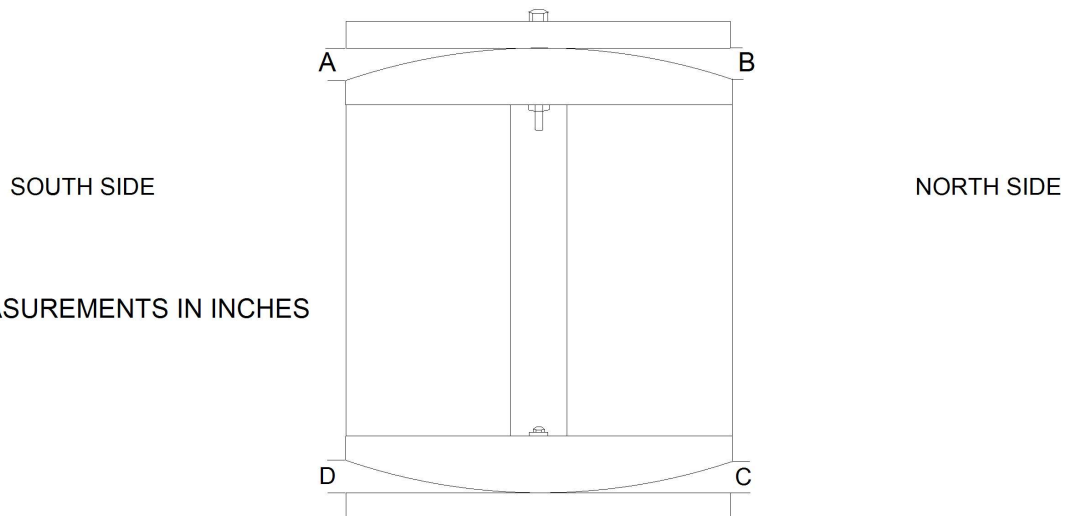
Date: 6/13/2017

File Name: S0166001290

Bridge Inspection Field Sketch

ROCKER BEARINGS HAVE BEEN REPLACED WITH CONCRETE RISER AND ELASTOMERIC PAD

ROCKER BEARING CLEARANCES
AT INTERIOR BENTS 16 AND 19



MEASUREMENT TAKEN WITH AN AIR TEMPERATURE OF 67 DEGREES FARENHEIT.
BENT 16

	GIRDER 1	GIRDER 2	GIRDER 3	GIRDER 4
A	1/4	1/2	3/8	3/16
B	3/8	3/4	7/16	1/2
C	1/4	5/8	1/2	1/4
D	5/16	1/2	5/16	7/16

MEASUREMENT TAKEN WITH AN AIR TEMPERATURE OF 67 DEGREES FARENHEIT.
BENT 19

	GIRDER 1	GIRDER 2	GIRDER 3	GIRDER 4
A	3/16	9/16	1/4	1/4
B	1/4	3/16	5/16	1/4
C	3/16	1/8	3/16	1/8
D	1/4	1/8	5/16	3/16

Title

ROCKER BEARING CLEARANCES

Description

ROCKER BEARING CLEARANCES

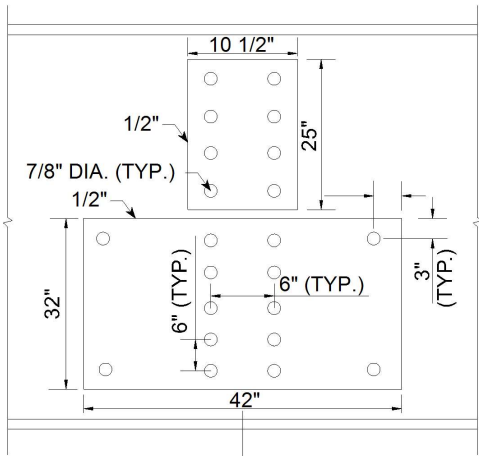
Bridge No: 070007

Drawn By: ZSD

Date: 05/10/2010

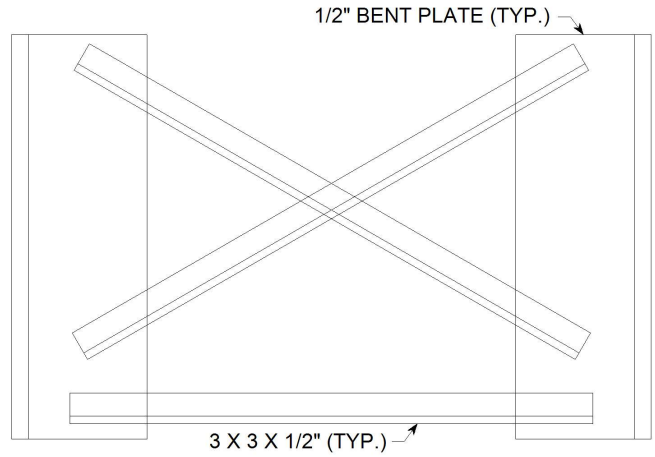
File Name: S0302000298

Bridge Inspection Field Sketch

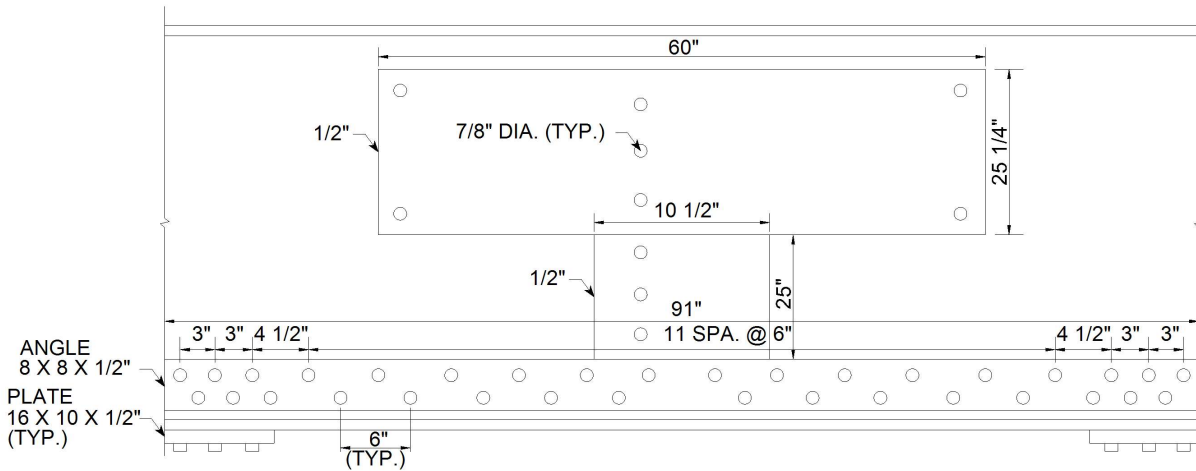


☉ BENT

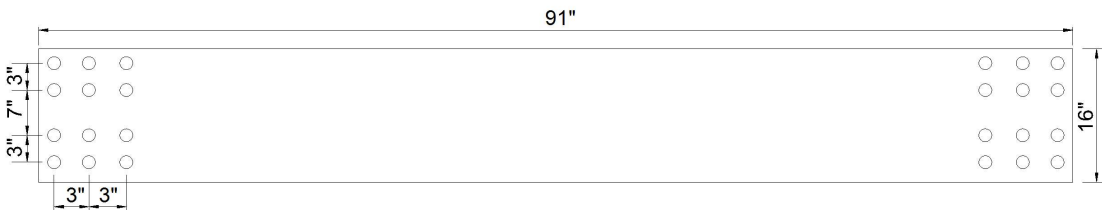
GIRDER 1 AT BENT 18



INTERMEDIATE DIAPHRAGM REPAIR
SPANS 17, 18 AND 19 AT MID-SPAN



GIRDER 4 SPAN 18 AT MID-SPAN (EAST FACE)



GIRDER 4 SPAN 18 AT MID-SPAN (BOTTOM FLANGE)

Title	Description		
STRUCTURAL STEEL REPAIRS	SPANS 18 AND 19		
Bridge No: 070007	Drawn By: DAVID WAGNER	Date: 5/20/2014	File Name: S0430000193

Bridge Inspection Field Sketch

THESE BENTS WERE FOUND TO HAVE COLLARED PILES.

BENT NUMBER	PILE NUMBER	FOOTING
1 - 5		
6 - 10		FOOTING
11 - 15		FOOTING
16 - 20		FOOTING
21 - 25		FOOTING
26 - 30		FOOTING
31 - 34		FOOTING
35		6
38		7
39		6
40		1,6
42		7
53		6
54		7
56		6
60		6
67		6
69		6
73		1,6
78		1, 5, 6
79		1, 2, 3, 4, 5
81		1, 2, 3, 4, 5, 6

UPDATED BY TSE 5/23/18

Title BENTS WITH COLLARED PILES		Description COLLARED PILES	
Bridge No: 070007	Drawn By: RD WILLIAMS	Date: 5/23/2016	File Name: S0270000508

Bridge Inspection Field Sketch

ADDITIONAL BENTS WITH COLLARED PILES

BENT NUMBER

PILE NUMBER

83

1 , 2 , 3 , 4 , 5 , 6

84

1 , 3 , 6

85

4

87

6

VERIFIED BY TSE 5/23/18

Title

BENTS WITH COLLARED PILES 2

Description

COLLARED PILES 2

Bridge No: 070007

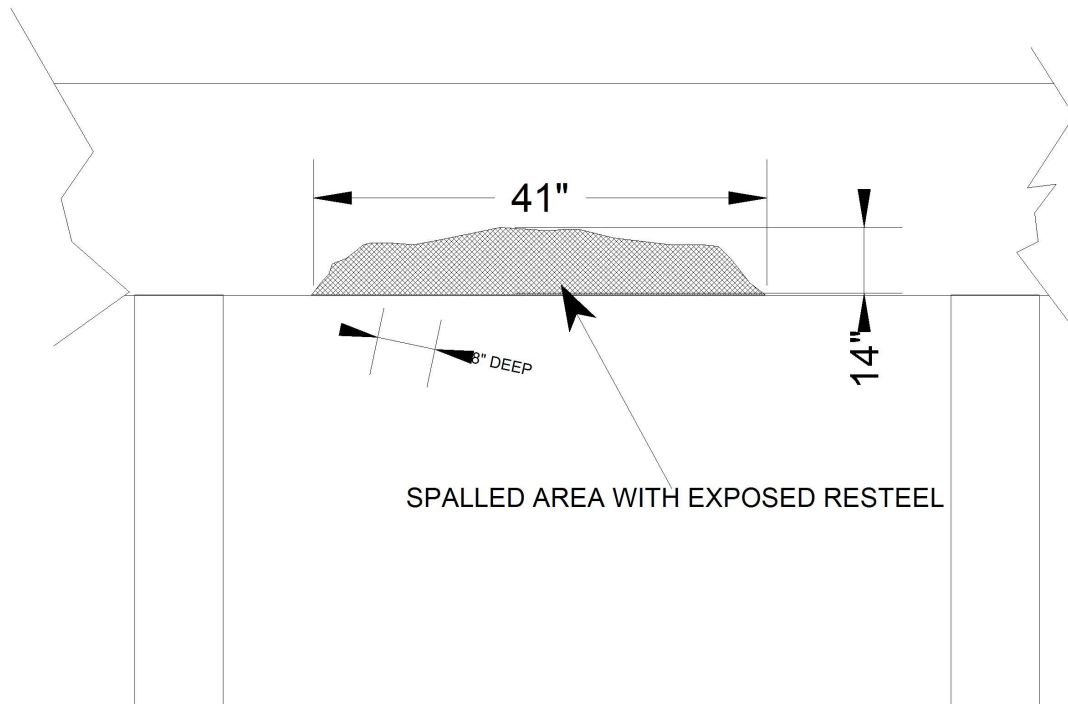
Drawn By: RD WILLIAMS

Date: 5/23/2016

File Name: S0270000509

Bridge Inspection Field Sketch

SOUTH FACE OF BENT 4 UNDER BAY 2



AREA PREVIOUSLY REPAIRED

Title

PM SKETCH 1

Description

BENT 4 SOUTH FACE

Bridge No: 070007

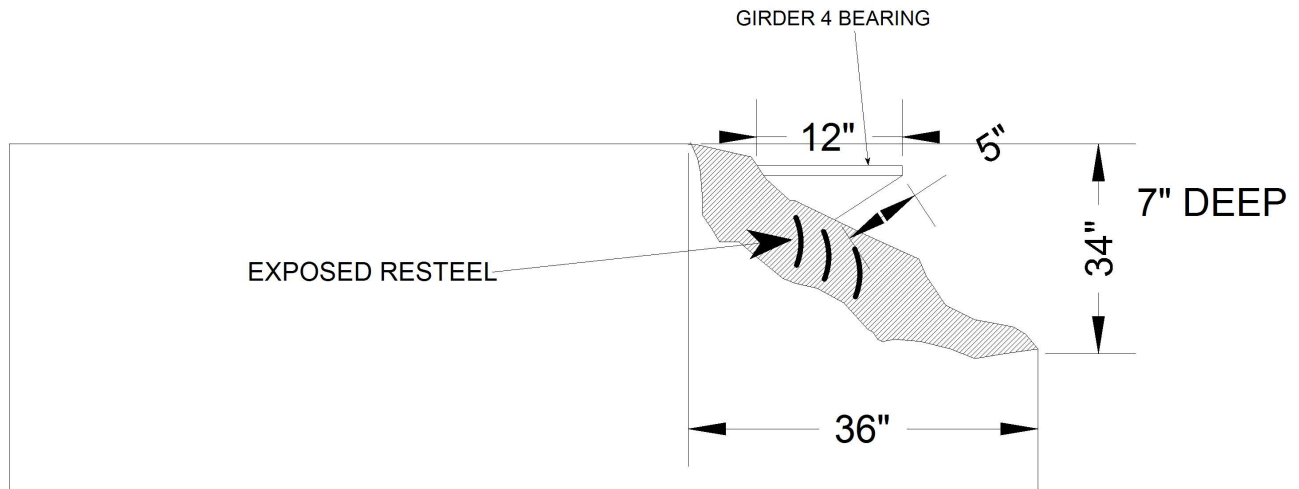
Drawn By: GLH

Date: 5/24/2010

File Name: S0030026060

Bridge Inspection Field Sketch

SOUTHEAST CORNER OF BENT 24 CAP



CRACKED, SPALLED, AND DELAMINATED AREA WITH RESTEEL EXPOSED IN RIGHT END (SOUTHEAST CORNER) OF BENT 24 CAP. AREA IS 30" LONG, 24" TALL, AND 8" DEEP AND EXTENDS 5" UNDER SOUTHEAST CORNER OF BEARING AT GIRDER 4 OR 12" ON SPAN 24 SIDE.

AREA PREVIOUSLY REPAIRED

Title
PM SKETCH 2

Description
SPALLED AREA IN SOUTHEAST CORNER OF BENT 24 CAP

Bridge No: 070007

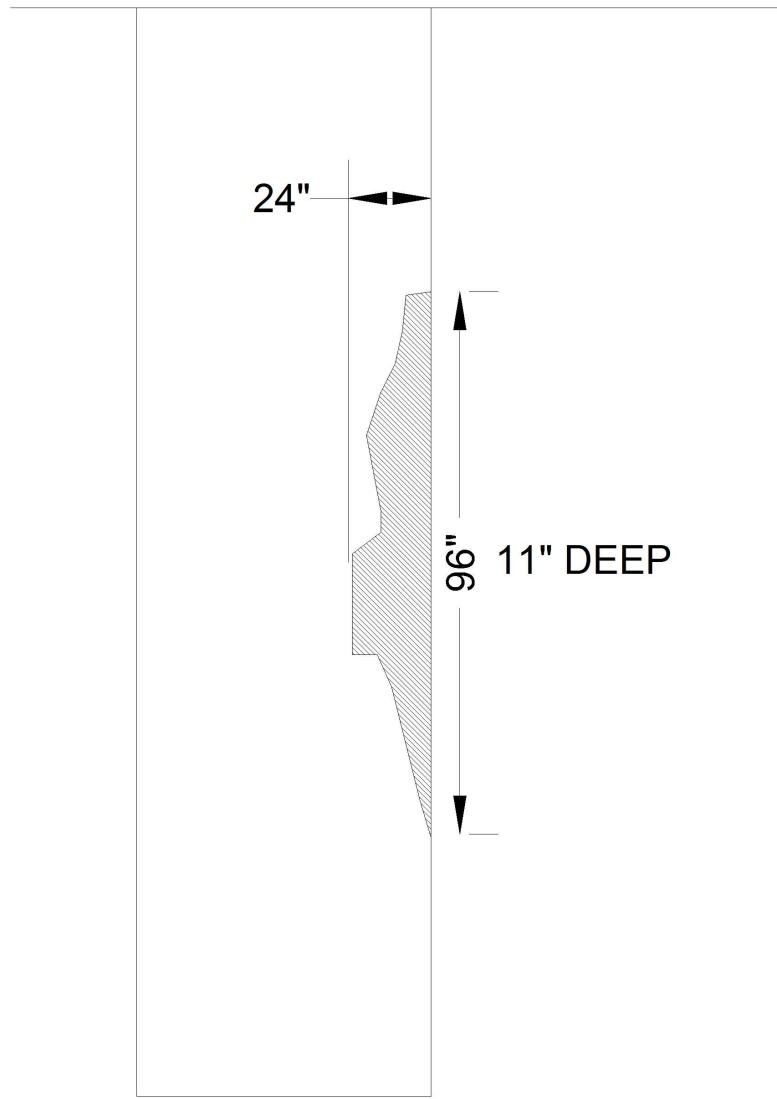
Drawn By: ZSD

Date: 5/24/2010

File Name: S0030026061

Bridge Inspection Field Sketch

SPALLED AREA WITH EXPOSED RESTEEL IN COLUMN 1 AT BENT 24

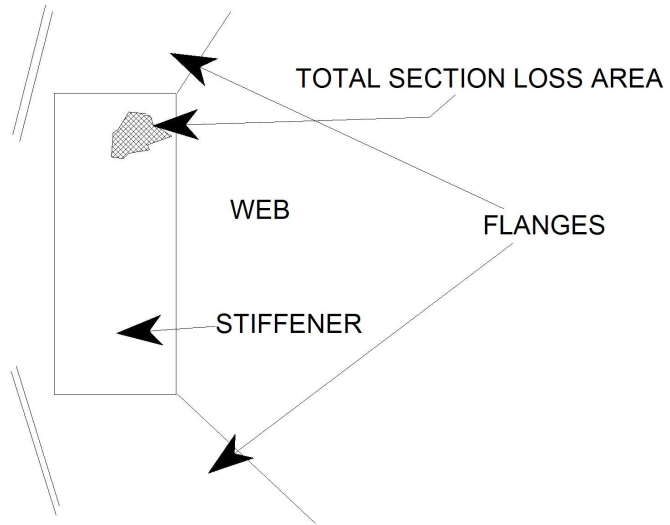


AREA PREVIOUSLY REPAIRED

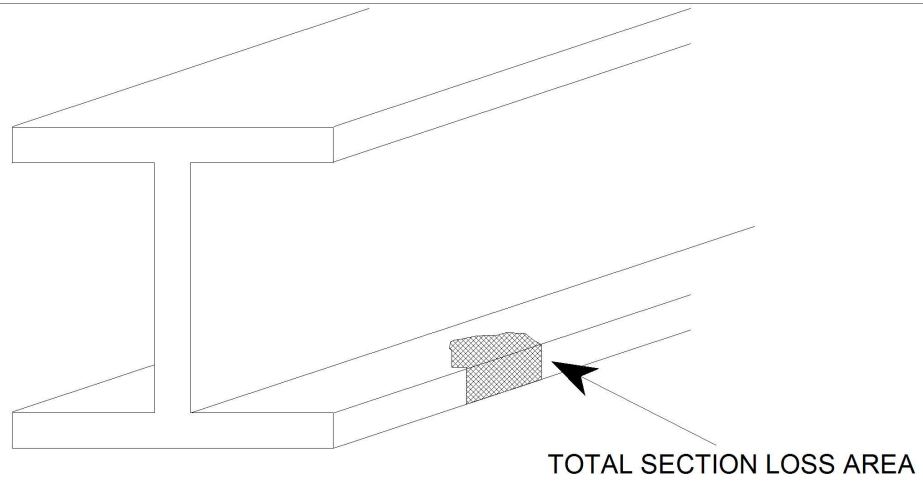
Title PM SKETCH 3		Description PM IN NORTHEAST CORNER OF COLU MN 1 AT BT 24	
Bridge No: 070007	Drawn By: ZSD	Date: 5/24/2010	File Name: S0030026062

Bridge Inspection Field Sketch

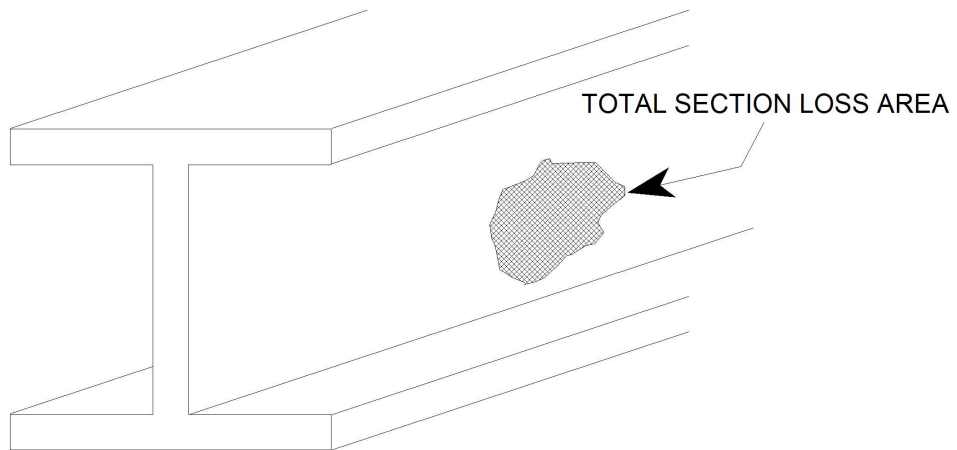
STIFFENER
(LOOKING ALONG DIAPHRAGM)



FLANGES



WEBS



AREAS PREVIOUSLY REPAIRED

Title

PM SKETCH 4

Description

PM IN STIFFENERS, FLANGES, AND WEBS OF STEEL BEAMS

Bridge No: 070007

Drawn By: ZSD

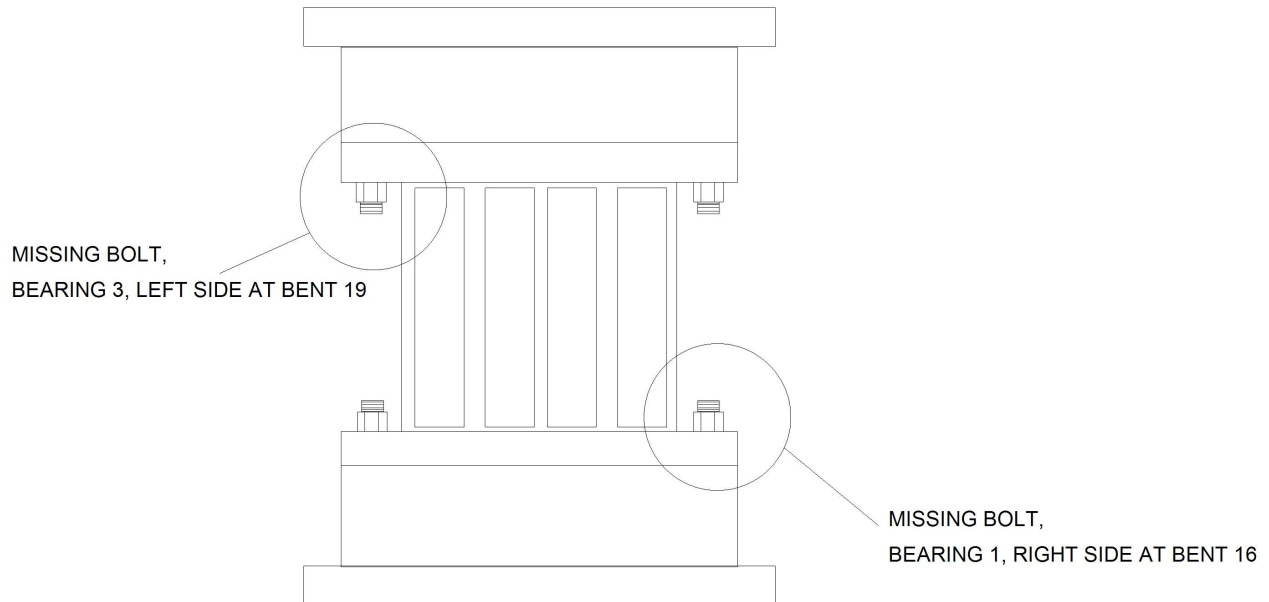
Date: 5/24/2010

File Name: S0030026063

Bridge Inspection Field Sketch

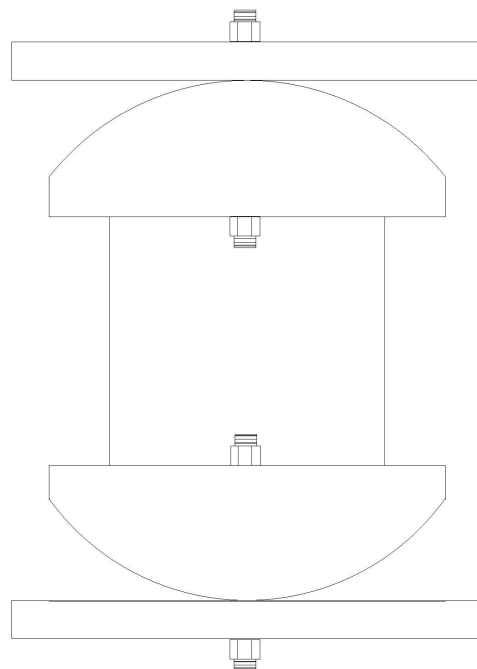
ROCKER BEARINGS SPAN 16 AND 19

FRONT VIEW



ROCKER BEARINGS HAVE BEEN REPLACED WITH CONCRETE RISER AND ELASTOMERIC PAD

SIDE VIEW



VERIFIED BY TSE 5/23/18

Title

PM SKETCH 5

Description

PRIORITY MAINTENANCE SKETCH FOR BEARINGS

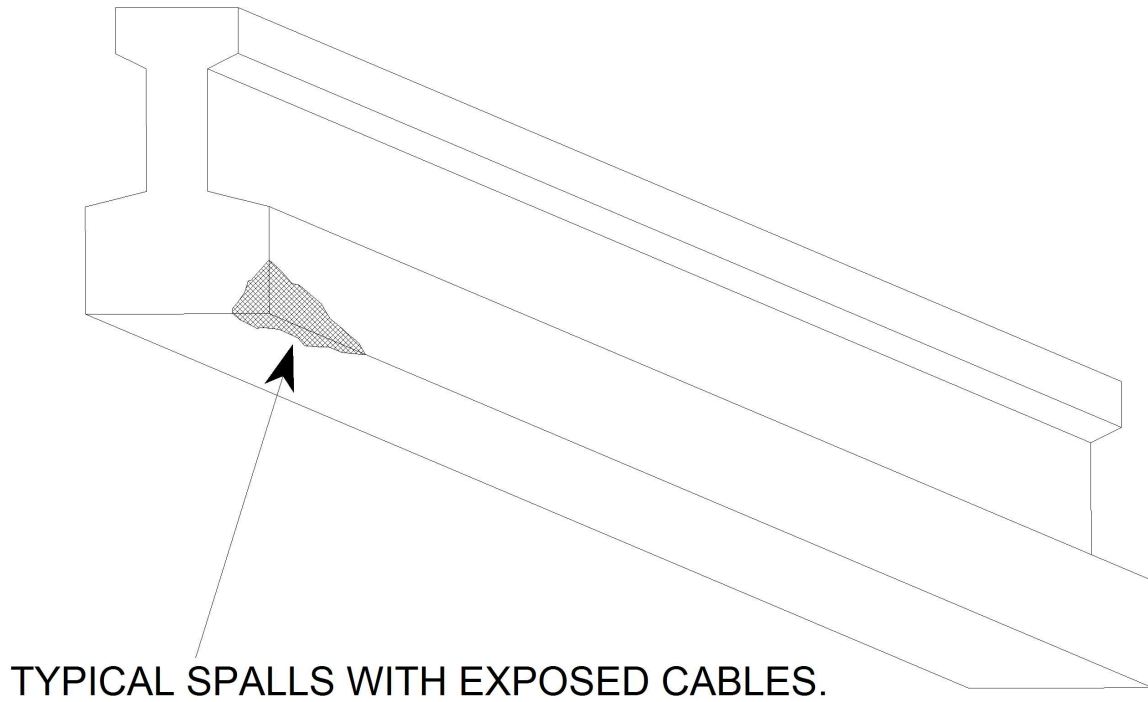
Bridge No: 070007

Drawn By: ZSD

Date: 5/24/2010

File Name: S0030026378

Bridge Inspection Field Sketch



MOST AREAS PREVIOUSLY REPAIRED, SEE RECORD AND SUMMARY FOR CURRENT CONDITIONS

Title

PM SKETCH 6

Description

CONCRETE GIRDER PRIORITY MAINT
ENANCE SKETCH

Bridge No: 070007

Drawn By: ZSD

Date: 5/24/2010

File Name: S0030026379